

Document Title: <b>Tightening torques</b>	Function Group: <b>030</b>	Information Type: <b>Service Information</b>	Date: <b>4/28/2026</b>
Profile: <b>PF3172 Volvo</b>			

[Go back to Index Page](#)

## Tightening torque, specifications

Showing Selected Profile

Valid for serial numbers			
Model	Production site	Serial number start	Serial number stop
PF3172 Volvo			

### ISO Metric Torque chart

Use the following recommended torque chart for bolts and nuts of ISO Metric strength Class 8.8 or better. If other torques are required, they will be indicated in the text

Bolt Size	Torque	
	Nm	lbf ft
M6 x 1,0	12	9
M8 x 1,25	28	21
M10 x 1,5	61	45
M12 x 1,75	105	79
M14 x 2,0	170	125
M16 x 2,0	265	195
M20 x 2,5	515	380
M24 x 3,0	895	660
M30 x 3,5	1780	1310
M36 x 4,0	3100	2290
M42 x 3,5	4960	3660

#### NOTE!

Use High Strength thread locking compound on all bolts larger than M8.

#### NOTE!

Use Medium Strength thread locking compound on M8 bolts and smaller. Apply enough thread lock to fill all gaps between the engaged bolt and nut threads.

#### NOTE!

All thread fasteners will have Thread locking compound applied, except the following:

1. Wheel bolts/nuts
2. Nylon insert nuts
3. Whizlock bolts and nuts
4. Fasteners less than M6 diameter
5. If specifically instructed not to apply thread locking compound

Sample manual. Download All 77 pages at:

<https://www.arepairmanual.com/downloads/pf3172-volvo-wheeled-pavers-service-manual/>

Document Title: <b>Tightening torques</b>	Function Group: <b>030</b>	Information Type: <b>Service Information</b>	Date: <b>4/28/2026</b>
Profile: <b>PF3172 Volvo</b>			

[Go back to Index Page](#)

## Tightening torque, specifications

Showing Selected Profile

Valid for serial numbers			
Model	Production site	Serial number start	Serial number stop
PF3172 Volvo			

### SAE Torque charts

Use the following recommended torque charts for bolts and nuts of SAE Grade 5 or better quality. If other torques are required, they will be indicated in the text.

Bolt (Coarse)	Torque		Bolt (Fine)	Torque	
	Nm	lbf ft		Nm	lbf ft
1/4 – 20	12	9	1/4 – 28	15	11
5/16 – 18	26	19	5/16 – 24	28	21
3/8 – 16	50	37	3/8 – 24	57	42
7/16 – 14	80	59	7/16 – 20	89	66
1/2 – 13	122	90	1/2 – 20	136	100
9/16 – 12	176	130	9/16 – 18	197	145
5/8 – 11	244	180	5/8 – 18	278	205
3/4 – 10	434	320	3/4 – 16	481	355
7/8 – 9	698	515	7/8 – 14	773	570
1 – 8	1051	775	1 – 12	1146	845
1 1/8 – 7	1492	1100	1 1/8 – 12	1668	1230
1 1/4 – 7	2088	1540	1 1/4 – 12	2319	1710
1 3/8 – 6	2739	2020	1 3/8 – 12	3119	2300
1 1/2 – 6	3648	2690	1 1/2 – 12	4095	3020

### NOTE!

Torque values used in this table are based on plated, yellow zinc, dichromate bolts.

### NOTE!

Use medium strength thread locking compound on bolts 5/16 inch and smaller to fill all gaps between the engaged bolt and nut threads.

### NOTE!

All thread fasteners will have thread locking compound applied, except the following:

1. Wheel bolts/nuts
2. Nylon insert nuts
3. Whizlock bolts and nuts
4. Fasteners less than 1/4-inch diameter
5. If specifically instructed not to apply thread locking compound

Sample manual. Download All 77 pages at:

<https://www.arepairmanual.com/downloads/pf3172-volvo-wheeled-pavers-service-manual/>

Document Title: <b>Conversion tables</b>	Function Group: <b>030</b>	Information Type: <b>Service Information</b>	Date: <b>4/28/2026</b>
Profile: <b>PF3172 Volvo</b>			

## Conversion tables

Showing Selected Profile

Valid for serial numbers			
Model	Production site	Serial number start	Serial number stop
PF3172 Volvo			

### Length

Unit	cm	m	km	in	ft	yd	mile
cm	1	0.01	0.00001	0.3937	0.03281	0.01094	0.000006
m	100	1	0.001	39.37	3.2808	1.0936	0.00062
km	100000	1000	1	39370.7	3280.8	1093.6	0.62137
in	2.54	0.0254	0.000025	1	0.08333	0.02777	0.000015
ft	30.48	0.3048	0.000304	12	1	0.3333	0.000189
yd	91.44	0.9144	0.000914	36	3	1	0.000568
mile	160930	1609.3	1.6093	63360	5280	1760	1

1 mm = 0.1 cm - 1 mm = 0.001 m

### Area

Unit	cm <sup>2</sup>	m <sup>2</sup>	km <sup>2</sup>	a	ft <sup>2</sup>	yd <sup>2</sup>	in <sup>2</sup>
cm <sup>2</sup>	1	0.0001	-	0.000001	0.001076	0.000012	0.155000
m <sup>2</sup>	10000	1	0.000001	0.01	10.764	1.1958	1550.000
km <sup>2</sup>	-	1000000	1	10000	1076400	1195800	-
a	0.01	100	0.0001	1	1076.4	119.58	-
ft <sup>2</sup>	-	0.092903	-	0.000929	1	0.1111	144.000
yd <sup>2</sup>	-	0.83613	-	0.008361	9	1	1296.00
in <sup>2</sup>	6.4516	0.000645	-	-	0.006943	0.000771	1

1 ha = 100 a - 1 mile<sup>2</sup> = 259 ha = 2.59 km<sup>2</sup>

### Volume

Unit	cm <sup>3</sup> = cc	m <sup>3</sup>	l	in <sup>3</sup>	ft <sup>3</sup>	yd <sup>3</sup>
cm <sup>3</sup> = ml	1	0.000001	0.001	0.061024	0.000035	0.000001
m <sup>3</sup>	1000000	1	1000	61024	35.315	1.30796
dm <sup>3</sup> (l)	1000	0.001	1	61.024	0.035315	0.001308
in <sup>3</sup>	16.387	0.000016	0.01638	1	0.000578	0.000021
ft <sup>3</sup>	28316.8	0.028317	28.317	1728	1	0.03704
yd <sup>3</sup>	764529.8	0.76453	764.53	46656	27	1

1 gal (US) = 3785.41 cm<sup>3</sup> = 231 in<sup>3</sup> = 0.83267 gal (UK)

### Weight

Unit	g	kg	t	oz	lb
g	1	0.001	0.000001	0.03527	0.0022
kg	1000	1	0.001	35.273	2.20459
t	1000000	1000	1	35273	2204.59
oz	28.3495	0.02835	0.000028	1	0.0625
lb	453.592	0.45359	0.000454	16	1

1 ton (metric) = 1.1023 ton (US) = 0.9842 ton (UK)

### Pressure

Unit	kp/cm <sup>2</sup>	bar	Pa=N/m <sup>2</sup>	kPa	lbf/in <sup>2</sup>	lbf/ft <sup>2</sup>
kp/cm <sup>2</sup>	1	0.98067	98066.5	98.0665	14.2233	2048.16
bar	1.01972	1	100000	100	14.5037	2088.6
Pa=N/m <sup>2</sup>	0.00001	0.001	1	0.001	0.00015	0.02086
kPa	0.01020	0.01	1000	1	0.14504	20.886
lbf/in <sup>2</sup>	0.07032	0.0689	6894.76	6.89476	1	144
lbf/ft <sup>2</sup>	0.00047	0.00047	47.88028	0.04788	0.00694	1

kg/cm<sup>2</sup> = 735.56 Dry (mmHg) = 0.96784 atm

### Unit explanations

Unit	abbreviation
Newton meter	Nm
Kilopoundmeter	kpm
Kilopascal	kPa
Megapascal	MPa
Kilowatt	kW
kilojoule	kJ
British thermal unit	Btu
Calorie	ca

### Approx. conversion

SI unit	Conversion factor	Non SI	Conversion factor	SI
<b>Torque</b>				
Nm	x10.2	=kg/cm	x0.8664	=lb in
Nm	x0.74	=lbf-ft	x1.36	=Nm
Nm	x0.102	=kg/m	x7.22	=lbft
<b>Pressure (Pa = N/m<sup>2</sup>)</b>				
kPa	x4.0	=in.H <sub>2</sub> O	x0.249	=kPa
kPa	x0.30	=in.Hg	x3.38	=kPa
kPa	x0.145	=psi	x6.89	=kPa
bar	x14.5	=psi	x0.069	=bar
kp/cm <sup>2</sup>	x14.22	=psi	x0.070	=kp/cm <sup>2</sup>
N/mm <sup>2</sup>	x145.04	=psi	x0.069	=bar
MPa	x145	=psi	x0.00689	=MPa
<b>Power (W = J/s)</b>				
kW	x1.36	=hp(cv)	x0.736	=kW

kW	x1.34	= bhp	x0.746	= kW
kW	x0.948	= Btu/s	x1.055	= kW
W	x0.74	= ft-lb/s	x1.36	= W
Energy (J = Nm)				
kJ	x0.948	= Btu	x1.055	= kJ
J	x0.239	= calorie	x4.19	= J
Speed and acceleration				
m/s <sup>2</sup>	x3.28	= ft/s <sup>2</sup>	x0.305	= m/s <sup>2</sup>
m/s	x3.28	= ft/s	x0.305	= m/s
km/h	x0.62	= mph	x1.61	= km/h
Horsepower/torque				
Bhp x5252 rpm = TQ (lb-ft)			TQ x rpm 5252 = bhp	
Temperature				
$^{\circ}\text{C} = (^{\circ}\text{F} - 32) / 1.8$			$^{\circ}\text{F} = (^{\circ}\text{C} \times 1.8) + 32$	
Flow factor				
l/min (dm <sup>3</sup> /min)	x0.264	= US gal/min	x3.785	= liter/min

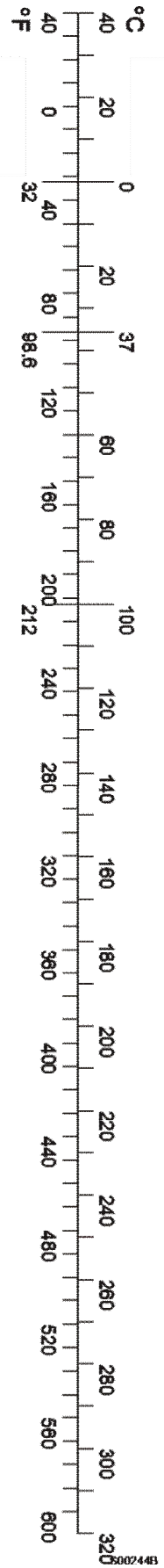


Figure 1

Document Title: <b>Thread locking compound, application/specifications</b>	Function Group: <b>030</b>	Information Type: <b>Service Information</b>	Date: <b>4/28/2026</b>
Profile: <b>PF3172 Volvo</b>			

## Thread locking compound, application/specifications

Showing Selected Profile

Valid for serial numbers			
Model	Production site	Serial number start	Serial number stop
PF3172 Volvo			

### General

**NOTE!**

Verify that the thread locking compound is not expired!

**NOTE!**

Do not apply thread locker to: wheel nuts, nylon insert nuts, whiz fasteners, electrical fasteners, ground cables/bolts or fasteners less than 6 mm (1/4 in) in diameter.

### Non-threaded through hole, bolt and nut

1. Clean all parts as necessary.
2. Insert bolt through hole.
3. Apply several drops of specified thread locking compound to the bolt where the nut will seat.
4. Assemble, tighten and torque as usual.

### Threaded through hole

1. Clean all parts as necessary.
2. Apply several drops of specified thread locking compound to bolt.
3. Assemble, tighten and torque as usual.

### Threaded blind hole

1. Clean all parts as necessary.

**NOTE!**

Be sure to remove any foreign material from threaded hole.

2. Apply several drops of specified thread locking compound into threaded hole.
3. Apply several drops of specified thread locking compound to bolt.
4. Assemble, tighten and torque as usual.

Document Title: <b>Diesel fuels - quality and function</b>	Function Group: <b>030</b>	Information Type: <b>Service Information</b>	Date: <b>4/28/2026</b>
Profile: <b>PF3172 Volvo</b>			

## Diesel fuels - quality and function

Showing Selected Profile

Valid for serial numbers			
Model	Production site	Serial number start	Serial number stop
PF3172 Volvo			

ATTRIBUTE	REQUIREMENTS
Viscosity (ASTM D-445)	1.3 to 5.8 centistokes per second at 40° C (104° F)
Cetane Number (ASTM D-613)	40 minimum at temperatures above 0° C (32° F). 45 minimum at temperatures below 0° C (32° F).
Sulfur Content (ASTM D-129 or 1552)	Not to exceed 0.05% by weight highway; not to exceed .029% by weight off road.
Water and Sediment (ASTM D-1796)	Not to exceed 0.1% by volume.
Carbon Residue (Ramsbottom ASTM D-524 or Conradson, ASTM D-189)	Not to exceed 0.25% by weight on 10% volume residue.
Flash Point (ASTM D-287)	At least 52° C (125° F) or legal temperature if higher than 52° C (125° F).
Density (ASTM D-287)	-1° C to 6° C (30° F to 42° F) API Gravity at 16° C (60° F) (0.816 to 0.876 Sp. Gr.)
Cloud Point (ASTM D-97)	6° C (10° F) below lowest ambient temperature at which the fuel is expected to operate.
Active Sulfur	Copper strip corrosion not to exceed No. 2 rating after 3 hours at 49° C (122° F).
Ash (ASTM D-482)	Not to exceed 0.02% by weight.
Distillation (ASTM D-86)	The distillation curve must be smooth and continuous. At least 90% of the fuel must evaporate at less than 360° C (680° F). All of the fuel must evaporate at 385° C (725° F).

Document Title: <b>Hydraulic connections, tightening torques</b>	Function Group: <b>030</b>	Information Type: <b>Service Information</b>	Date: <b>4/28/2026</b>
Profile: <b>PF3172 Volvo</b>			

## Hydraulic connections, tightening torques

Showing Selected Profile

Valid for serial numbers			
Model	Production site	Serial number start	Serial number stop
PF3172 Volvo			

### JIC-coupling

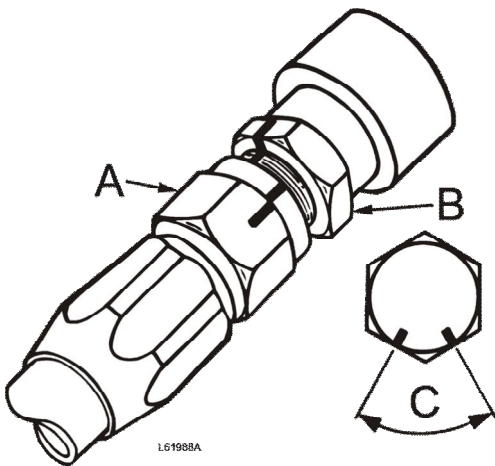


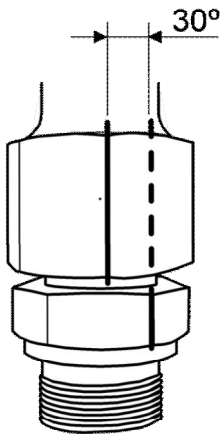
Figure 1

Hose coupling dimension (A)	Coupling size (B)	Tightening, number of hex edges (C)
9/16"		2 1/2 (150°)
5/8"	7/8"-14	2 1/2 (150°)
11/16"		2 (120°)
7/8"	1 3/16"-12	2 (120°)
1"	1 5/16"-12	1 1/2-2 (90°- 120°)
1 1/4"	1 5/8"-12	1 (60°)
1 1/2"	1 7/8"-12	3/4-1 (45°- 60°)
2"		3/4-1 (45°- 60°)
2 1/4"		1/2-1 (30°- 60°)

Tighten the coupling so that the metal surfaces in the connection are in contact with each other. Then tighten the nut as follows:

### ORFS-coupling

Always install a new O-ring before an ORFS-coupling is assembled.



V1028462

**Figure 2**

Tighten the coupling so that the O-ring is compressed and the metal surfaces in the coupling are in contact with each other. Then tighten the nut another:

- 1/2 hex edge (30°) if the coupling is new.
- 1/4—1/2 hex edge (15°—30°) if the coupling is used (when only changing O-ring).

**NOTE!** Avoid twisting of the hose by using counterhold on the hose's hex edge.

**NOTE!!** In case of leakage, it does not help to tighten further, the O-ring must be changed.

**Thread sealant**

It is recommended to use lubricating thread sealant for any high pressure hose connections and fittings that are not JIC or ORFS fittings.

Document Title: <b>Operation numbers for additional work</b>	Function Group: <b>070</b>	Information Type: <b>Service Information</b>	Date: <b>4/28/2026</b>
Profile: <b>Wheeled Pavers (PAW)</b>			

## Operation numbers for additional work

Showing Selected Profile

These operations can be used to identify work that is not included in the time guide or described in the methods in the Service Manual. When these operations are used, a description of the work that has been performed must be provided.

### Other work related to engine

Op. no. 070-210

This operation can be used when work has been done related to the engine and function group 2 when no applicable method description was available. When this operation is used, additional information is required:

- Description of work that has been done

### Other work related to electrical system

Op. no. 070-310

This operation can be used when work has been done related to the electrical system and function group 3 when no applicable method description was available. When this operation is used, additional information is required:

- Description of work that has been done

### Other work related to transmission, gearbox, travel motor, swing motor

Op. no. 070-410

This operation can be used when work has been done related to the transmission, gearbox, travel motor or swing motor and function group 4 when no applicable method description was available. When this operation is used, additional information is required:

- Description of work that has been done

### Other work related to drive axle

Op. no. 070-470

This operation can be used when work has been done related to the drive axle and function group 46 when no applicable method description was available. When this operation is used, additional information is required:

- Description of required work that have been done

### Other work related to brake system

Op. no. 070-510

This operation can be used when work has been done related to the brake system and function group 5 when no applicable

method description was available. When this operation is used, additional information is required:

- Description of work that has been done

**Other work related to steering system**

Op. no. 070-610

This operation can be used when work has been done related to the steering system and function group 6 when no applicable method description was available. When this operation is used, additional information is required:

- Description of work that has been done

**Other work related to frame link, axle suspension**

Op. no. 070-710

This operation can be used when work has been done related to the frame link, axle suspension and other parts related to function group 7 when no applicable method description was available. When this operation is used, additional information is required:

- Description of work that has been done

**Other work related to cab, air conditioning**

Op. no. 070-810

This operation can be used when work has been done related to the cab, air conditioning and other parts related to function group 8 when no applicable method description was available. When this operation is used, additional information is required:

- Description of work that has been done

**Other work related to hydraulic system**

Op. no. 070-910

This operation can be used when work has been done related to the hydraulic system and other parts related to function group 9 when no applicable method description was available. When this operation is used, additional information is required:

- Description of work that has been done

Document Title: <b>Recommended lubricants</b>	Function Group: <b>160</b>	Information Type: <b>Service Information</b>	Date: <b>4/28/2026</b>
Profile: <b>PF3172 Volvo</b>			

## Recommended lubricants

Showing Selected Profile

<b>Valid for serial numbers</b>			
<b>Model</b>	<b>Production site</b>	<b>Serial number start</b>	<b>Serial number stop</b>
PF3172 Volvo			

<b>Recommended Lubricants, specification</b>	
Engine oil	Multi-Purpose Premium Engine Oil - SAE 15W-40
Hydraulic oil	ISO VG 46; with anti-wear additives; VI 140 (minimum)
Extreme pressure multi-purpose grease	MPG-EP2; NLGI-EP2
Synthetic component lubricant	Synthetic hydrocarbon with phosphorus; ISO VG220; VI 152
Extreme pressure gear lubricant	SAE 85W - 140, API GL - 5; MIL PRF 2105E
For the latest applicable engineering lubricating oil specifications, contact the engine manufacturer, or your manufacturer's authorized dealer or distributor.	

**NOTE!**

For additional information and specifications regarding lubrication, filling capacities and maintenance, refer to the tables [Fuel, lubricant and filling capacities](#) in the Specifications Section 1.

Document Title: <b>Lubricant recommendation</b>	Function Group: <b>160</b>	Information Type: <b>Service Information</b>	Date: <b>4/28/2026</b>
Profile: <b>PF3172 Volvo</b>			

## Lubricant recommendation

Showing Selected Profile

Valid for serial numbers			
Model	Production site	Serial number start	Serial number stop
PF3172 Volvo			

### GENERAL INFORMATION

Lubrication is an essential part of preventive maintenance, affecting to a great extent the useful life of the unit. Periodic lubrication of the moving parts reduces to a minimum the possibility of mechanical failures.

For maximum machine life and performance, we recommend the use of genuine authorized brand lubricants. Refer to [Recommended lubricants](#).

Different lubricants are needed and some components in the unit require more frequent lubricant than others. Therefore, it is important that the instructions regarding types of lubricant and frequency of the application be explicitly followed.

To obtain the maximum long-life results from the machine, a regular service programme should be followed as recommended in this manual. The suggested intervals are based on average operating conditions. In extremely severe, dusty or wet operating conditions, more frequent lubrication may be necessary.

The Lubrication Chart that follows in this section shows those items requiring regular service and the interval at which they should be performed. Details concerning fuel, oil and other lubricants follow the lubrication chart. A regular service program should be geared to the items listed under each interval. These intervals are based on average operating conditions. In the event of extremely severe, dusty or wet operating conditions, more frequent lubrication than specified may be necessary.

All oil levels are to be checked with the machine parked on a level surface and while the oil is cold, unless otherwise specified.

On plug-type check points, the oil levels are to be at the bottom edge of the check port.

All grease fittings are SAE STANDARD, unless otherwise indicated. Grease non-sealed fittings until grease is seen extruding from the fitting.

Over-lubrication on non-sealed fittings will not harm the fittings or components, but under lubrication will definitely lead to a shorter life.

Unless otherwise indicated, items not equipped with grease fittings (linkages, pins, levers, etc.) should be lubricated with oil once a week. Motor oil, applied sparingly, will provide the necessary lubrication and help prevent the formation of rust. An anti-seize compound may be used if rust has not formed. Otherwise, the component must be cleaned first.

Grease fittings must be replaced when they are worn to the point that they fail to hold the grease gun, or when they have a stuck check ball.

To prevent problems, other services or checks are recommended at the time of lubrication.

1. Clean around fittings and drain, check level and fill plugs before removing or replacing them. Wash them with a non-flammable, non-toxic, cleaning solution.
2. Ensure that lubricants are at operating temperature when draining.

Document Title: <b>Hydraulic oil, specifications</b>	Function Group: <b>160</b>	Information Type: <b>Service Information</b>	Date: <b>4/28/2026</b>
Profile: <b>PF3172 Volvo</b>			

## Hydraulic oil, specifications

Showing Selected Profile

Valid for serial numbers			
Model	Production site	Serial number start	Serial number stop
PF3172 Volvo			

The quality of the hydraulic oil is important to the satisfactory performance of any hydraulic system. The oil serves as the hydrostatic drive medium, system coolant and lubricant. Selection of the proper oil is essential to ensure proper system performance and life. Refer to the table below for the specifications and requirements that hydraulic oil used in this machine should meet.

Viscosity:	60 SUS minimum at operating temperature 7500 SUS maximum at starting temperature 150 to 225 SUS at 38° C (100° F) (generally) 44 to 48 SUS at 99° C (210° F) (generally)
Viscosity Index:	90 minimum
Aniline Point:	-175 minimum
API gravity:	28 Minimum Paraffinic oils: 28 or more Mixed base: 24 to 28 Napthanic or asphaltic base: 24 or less
Recommended Additives:	Rust and oxidation inhibitors Foam depressant
Desirable Characteristics:	Stability of physical and chemical characteristics High demulsibility (low emulsibility) for separation of water, air and contaminants Resistance to the formation of gums, sludges, acids, tars and varnishes High lubricity and film strength

The following are a few examples of the commercial brand oils meeting specifications.

Mobil Oil Company	Mobil DTE 15M
-------------------	---------------

Document Title: <b>Fuel, lubricant and filling capacities</b>	Function Group: <b>160</b>	Information Type: <b>Service Information</b>	Date: <b>4/28/2026</b>
Profile: <b>PF3172 Volvo</b>			

## Fuel, lubricant and filling capacities

Showing Selected Profile

Valid for serial numbers			
Model	Production site	Serial number start	Serial number stop
PF3172 Volvo			

The following approximate fluid capacities are provided for servicing where shop facilities and resources are not available.

FLUID/OIL	APPROXIMATE CAPACITY
Diesel Fuel	204 L (54 gal.)
Hydraulic Oil	204 L (54 gal.)
Engine Oil	16.3 L (17.2 qt.)
Engine Coolant	24 L (25 qt.)

Document Title: <b>Diesel fuels - quality and function</b>	Function Group: <b>160</b>	Information Type: <b>Service Information</b>	Date: <b>4/28/2026</b>
Profile: <b>PF3172 Volvo</b>			

## Diesel fuels - quality and function

Showing Selected Profile

Valid for serial numbers			
Model	Production site	Serial number start	Serial number stop
PF3172 Volvo			

ATTRIBUTE	REQUIREMENTS
Viscosity (ASTM D-445)	1.3 to 5.8 centistokes per second at 40° C (104° F)
Cetane Number (ASTM D-613)	40 minimum at temperatures above 0° C (32° F). 45 minimum at temperatures below 0° C (32° F).
Sulfur Content (ASTM D-129 or 1552)	Not to exceed 0.05% by weight highway; not to exceed .029% by weight off road.
Water and Sediment (ASTM D-1796)	Not to exceed 0.1% by volume.
Carbon Residue (Ramsbottom ASTM D-524 or Conradson, ASTM D-189)	Not to exceed 0.25% by weight on 10% volume residue.
Flash Point (ASTM D-287)	At least 52° C (125° F) or legal temperature if higher than 52° C (125° F).
Density (ASTM D-287)	-1° C to 6° C (30° F to 42° F) API Gravity at 16° C (60° F) (0.816 to 0.876 Sp. Gr.)
Cloud Point (ASTM D-97)	6° C (10° F) below lowest ambient temperature at which the fuel is expected to operate.
Active Sulfur	Copper strip corrosion not to exceed No. 2 rating after 3 hours at 49° C (122° F).
Ash (ASTM D-482)	Not to exceed 0.02% by weight.
Distillation (ASTM D-86)	The distillation curve must be smooth and continuous. At least 90% of the fuel must evaporate at less than 360° C (680° F). All of the fuel must evaporate at 385° C (725° F).

Document Title: <b>Alternative fuels</b>	Function Group: <b>160</b>	Information Type: <b>Service Information</b>	Date: <b>4/28/2026</b>
Profile: <b>Wheeled Pavers (PAW)</b>			

## Alternative fuels

Showing Selected Profile

**This statement is only valid for Volvo branded engines.**

Hydro-treated vegetable oil (HVO) and fatty acid methyl ester (FAME) biodiesel are both made from renewable raw materials such as vegetable oils and animal fats, but they are chemically processed in different ways.

### Hydro-treated vegetable oil (HVO)

HVO is created using a chemical process called hydro-treating. Hydro-treating creates an oxygen-free hydrocarbon product that is very similar to distillate diesel fuel and is well suited for use in diesel engines. HVO fuels complying with the CEN diesel fuel standard EN 590:2013 or with the European Fuel Quality Directive 98/70/EC are approved for use in all Volvo Construction Equipment diesel engines with no changes to maintenance intervals. Paraffinic diesel fuels complying with the CEN standard EN 15940 may be used in all machines operating outside the European Union and for EU-certified engines up to the emission level Stage IV. These fuels may also be used for the EU-certified D11, D13 and D16 engines meeting the emission level Stage V.

### Biodiesel

Biodiesel is a product made from renewable resources such as vegetable oils or animal fat. Biodiesel that has been chemically processed into fatty acid methyl ester (FAME) can be blended with distillate diesel fuel and used in some diesel engines. Unblended biodiesel is referred to as B100 because it is 100% biodiesel.

Rapeseed methyl ester (RME) is the most common type of FAME used in Europe. Soy methyl ester (SME) and sunflower oil methyl ester (SOME) are the most common types of FAME used in the US.

Although use of FAME biodiesel is now a legal requirement in some markets, it is not as suitable for use in diesel engines as conventional diesel fuel or HVO (hydro-treated vegetable oil).

### Biodiesel fuel requirements

The FAME biodiesel blends specified in the table below are approved for use if:

- The biodiesel is pre-blended by the fuel supplier
- The biodiesel used in the blend conforms to EN14214 or ASTM D6751
- The distillate fuel used in the blend meets fuel sulphur requirements
- The distillate fuel used in the blend conforms to EN590 or ASTM D975
- B1-B5 biodiesel blends conform to EN590 or ASTM D975
- B6-B7 biodiesel blends conform to EN590 or ASTM D7467
- B8-B20 biodiesel blends conform to EN16709(B20) or ASTM D7467

Engine emission designation	Engine size	Acceptable blend
EU Stage II / US Tier 2 * EU Stage IIIA / US Tier 3 * EU Stage IIIB / US Tier 4 interim EU Stage IV / US Tier 4 final EU Stage V	Below D4 / 4 litres	Up to B7
EU Stage II / US Tier 2 * EU Stage IIIA / US Tier 3 * EU Stage IIIB / US Tier 4 interim EU Stage IV / US Tier 4 final	D4–D8	Up to B7
EU Stage II / US Tier 2 * EU Stage IIIA / US Tier 3 * US Tier 4 final, special North America arrangement **	D9–D16	Up to B20
EU Stage IIIB / US Tier 4 interim EU Stage IV / US Tier 4 final	D11–D16	Up to B10

EU Stage IIIB / US Tier 4 interim, equipped with High Sulphur Fuel Conversion Kit (only available in unregulated markets)	D4–D16	Up to B20
EU Stage IV / US Tier 4 final, equipped with High Sulphur Fuel Conversion Kit (only available in unregulated markets)		
EU Stage V	D4–D16	Up to B7
<p>* As Tier 2 and Tier 3 emissions regulations ended in 2005 and 2010 respectively, engines produced since then typically <b>meet Stage II / Stage IIIA regulations</b>, allowing their sale in less regulated markets.</p> <p>** With additional restrictions and special operating conditions, equipment used in North America may operate on B20 diesel.</p>		

#### NOTE!

Failures directly caused by the use of poor quality biofuel, or any other fuel not conforming to standards, are not factory defects and the manufacturer's warranty does not apply.

#### Maintenance interval requirements

Additional service actions and shorter maintenance intervals are mandatory when using biodiesel blends above B10.

<b>Every 10 hours</b>
<ul style="list-style-type: none"> <li><input type="radio"/> Check the engine oil and change if it rises above the maximum fill level</li> <li><input type="radio"/> Inspect the fuel system components and replace as necessary</li> </ul>
<b>Half of original interval</b>
<ul style="list-style-type: none"> <li><input type="radio"/> Change the engine oil and filter</li> <li><input type="radio"/> Replace the fuel filter(s)</li> </ul>
<b>Every year, regardless of operating hours</b>
<ul style="list-style-type: none"> <li><input type="radio"/> Change the engine oil and filter</li> <li><input type="radio"/> Clean the fuel tank</li> </ul>

#### Effects of biodiesel on engine oil

Using biodiesel can lead to increased oil dilution. Use engine oil analysis tools frequently to check for fuel dilution and monitor engine oil condition. Check the engine oil level daily. Always change the engine oil if the oil level rises above the maximum fill level.

#### Effects of biodiesel on fuel systems

Biodiesel dissolves and loosens some fuel system deposits. During the initial conversion to biodiesel, loosened deposits will travel to the fuel filters and require more frequent fuel filter replacements. Start with new fuel filters when using biodiesel for the first time.

Biodiesel is aggressive to some materials used in fuel system components. Inspect seals, hoses, rubber and plastic components every 10 hours. Repair or replace any components that are damaged, softened or leaking. Clean biodiesel from painted surfaces immediately to prevent paint damage.

Biodiesel is more sensitive to bacteria and water contamination than distillate diesel fuel.

- Use as much fuel as possible before refilling the fuel tank in order to prevent bacteria growth if a machine is in regular use, e.g. regularly uses up a tank of fuel within a week. In climates where condensation is a risk, or when the machine is working for short durations, keep the fuel tank full.
- Do not use biodiesel in machines with low utilization or operating time.
- Do not store machines for more than 4 weeks without flushing biodiesel out of the fuel system by operating the machine through at least one full tank of distillate diesel fuel.
- Always follow the manufacturer's storage recommendations and "best-before" dates for each delivery of biodiesel.

#### Effects of biodiesel on exhaust aftertreatment systems

Biodiesel leaves higher levels of ash in diesel particulate filters and may require more frequent diesel particulate filter (DPF) regeneration and cleaning. Biodiesel can cause deviations in temperatures and functionality of the DPF burner and may cause fault codes or errors.

Biodiesel exhaust gas is aggressive to some materials used in selective catalytic reduction systems (SCR) and may require more frequent cleaning, repairing or replacing of SCR parts.

**Effects of biodiesel on cold weather operation**

Biodiesel has a high viscosity at temperatures below 0 °C (32 °F) and may cause problems starting the engine. Use a fuel heater or park machines in a heated building if possible.

**Effects of biodiesel on engine performance**

Biodiesel B100 has about 8% lower energy density compared to regular diesel fuel. Blends equal or lower than B20 have a small impact on engine performance.

**Effects of biodiesel on emissions compliance**

Engines are certified to comply with U.S. EPA, California and EU emissions standards based upon the use of test fuels with specifications established by these regulatory agencies. Alternative fuels, including biodiesel, that are not substantially similar to the required test fuels may adversely affect engine emissions compliance. As a result, Volvo does not warrant that the engine will conform to applicable Federal or California and EU emissions limits when operated on, or having previously being operated on, biodiesel or other alternative fuels that are not substantially similar to specified test fuels used for certification, nor if biodiesel / regular diesel is used in blends that exceed the recommendations.

However, the use of biodiesel up to a maximum of 20% (B20) in and of itself, will not affect the manufacturer's mechanical warranty as to engine or emissions system, provided the bio fuel used in the blend conforms to the applicable standards and the additional steps outlined herein are followed.

Document Title: <b>Arrival Inspection, according to Inspection Programme</b>	Function Group: <b>171</b>	Information Type: <b>Service Information</b>	Date: <b>4/28/2026</b>
Profile: <b>Wheeled Pavers (PAW)</b>			

## **Arrival Inspection, according to Inspection Programme**

**Op nbr 171-001**

**Total procedure time (hr): 0.80**

1. This Inspection Programme can be found as a PDF file in the document library in PROSIS.

Document Title: <b>Delivery Inspection, according to Inspection Programme</b>	Function Group: <b>171</b>	Information Type: <b>Service Information</b>	Date: <b>4/28/2026</b>
Profile: <b>Wheeled Pavers (PAW)</b>			

## **Delivery Inspection, according to Inspection Programme**

**Op nbr 171-002**

**Total procedure time (hr): 2.00**

1. This Inspection Programme can be found as a PDF file in the document library in PROSIS.

Document Title: <b>Maintenance of Stored Machines, according to Inspection Programme</b>	Function Group: <b>171</b>	Information Type: <b>Service Information</b>	Date: <b>4/28/2026</b>
Profile: <b>Wheeled Pavers (PAW)</b>			

## **Maintenance of Stored Machines, according to Inspection Programme**

**Op nbr 171-003**

**Total procedure time (hr): 2.50**

1. This Inspection Programme can be found as a PDF file in the document library in PROSIS.

Document Title: <b>Maintenance service, every 10 hours</b>	Function Group: <b>173</b>	Information Type: <b>Service Information</b>	Date: <b>4/28/2026</b>
Profile: <b>PF3172 Volvo</b>			

## Maintenance service, daily

Showing Selected Profile

Valid for serial numbers			
Model	Production site	Serial number start	Serial number stop
PF3172 Volvo			

### Op nbr 173-002

1. Place machine in the service position. Refer to [Service position](#).
2. Clean machine and screed contact surfaces.
3. Check fuel level.
4. Check engine oil level.
5. Check cooling system integrity.
6. Grease screed vibrator shaft bearings.
7. Walk around and visually inspect machine.

Document Title: <b>Maintenance service, every 50 hours</b>	Function Group: <b>173</b>	Information Type: <b>Service Information</b>	Date: <b>4/28/2026</b>
Profile: <b>PF3172 Volvo</b>			

## Maintenance service, every 50 hours

Showing Selected Profile

Valid for serial numbers			
Model	Production site	Serial number start	Serial number stop
PF3172 Volvo			

### Op nbr 173-004

1. Place machine in the service position. Refer to [Service position](#).
2. Perform daily maintenance. Refer to [Maintenance service, every 10 hours](#).
3. Check conveyor chain tension. Adjust as necessary.
4. Check air cleaner system integrity.
5. Grease depth cranks.
6. Grease screed extensions and pivot points.
7. Grease screed crown.
8. Grease front wheel king pins.
9. Grease front bogie wheel pivot bearings.
10. Check hydraulic oil level.
11. Drain fuel/water separator.

Document Title: <b>Maintenance service, every 250 hours</b>	Function Group: <b>173</b>	Information Type: <b>Service Information</b>	Date: <b>4/28/2026</b>
Profile: <b>PF3172 Volvo</b>			

## Maintenance service, every 250 hours

Showing Selected Profile

Valid for serial numbers			
Model	Production site	Serial number start	Serial number stop
PF3172 Volvo			

### Op nbr 173-007

1. Place machine in the service position. Refer to [Service position](#).
2. Perform daily and 50 hour maintenance intervals. Refer to [Maintenance service, every 10 hours](#) and [Maintenance service, every 50 hours](#).
3. Change engine oil and filter.
4. Inspect engine air cleaner and clean primary element as necessary.
5. Grease short-coupled drive shaft.

Document Title: <b>Maintenance service, every 500 hours</b>	Function Group: <b>173</b>	Information Type: <b>Service Information</b>	Date: <b>4/28/2026</b>
Profile: <b>PF3172 Volvo</b>			

## Maintenance service, every 500 hours

Showing Selected Profile

Valid for serial numbers			
Model	Production site	Serial number start	Serial number stop
PF3172 Volvo			

### Op nbr 173-010

1. Place machine in the service position. Refer to [Service position](#).
2. Perform daily, 50 hour and 250 hour maintenance intervals. Refer to [Maintenance service, every 10 hours](#), [Maintenance service, every 50 hours](#) and [Maintenance service, every 250 hours](#).
3. Change hydraulic oil and filters.
4. Clean hydraulic tank relief valve.
5. Change hydraulic charge filter.
6. Change primary fuel filter.
7. Check engine coolant integrity.
8. Inspect hopper hinges.
9. Inspect auger/conveyor drive chains and adjust as necessary.
10. Inspect auger sections for wear or damage.
11. Inspect radiator hoses for wear or damage.
12. Clean battery cables and tighten.

Document Title: <b>Maintenance service, every 1000 hours</b>	Function Group: <b>173</b>	Information Type: <b>Service Information</b>	Date: <b>4/28/2026</b>
Profile: <b>PF3172 Volvo</b>			

## Maintenance service, every 1000 hours

Showing Selected Profile

Valid for serial numbers			
Model	Production site	Serial number start	Serial number stop
PF3172 Volvo			

### Op nbr 173-012

1. Place machine in service position. Refer to [Service position](#).
2. Perform daily, 50 hour, 250 hour and 500 hour service intervals. Refer to [Maintenance service, every 10 hours](#), [Maintenance service, every 50 hours](#), [Maintenance service, every 250 hours](#) and [Maintenance service, every 500 hours](#).
3. Change pump drive box oil.
4. Change auger/conveyor planetary oil.
5. Change drive wheel planetary oil.
6. Change washdown fuel filter.
7. Change engine coolant.
8. Change auger/conveyor pump control filter.
9. Grease front bogie wheels.
10. Grease clutch drive shaft.
11. Grease clutch engagement lever.

Document Title: <b>Maintenance service, first 50 hours</b>	Function Group: <b>173</b>	Information Type: <b>Service Information</b>	Date: <b>4/28/2026</b>
Profile: <b>PF3172 Volvo</b>			

## Maintenance service, first 50 hours

Showing Selected Profile

Valid for serial numbers			
Model	Production site	Serial number start	Serial number stop
PF3172 Volvo			

### Op nbr 173-035

1. Place machine in the service position. Refer to [Service position](#).
2. Perform 50 hour maintenance. Refer to [Maintenance service, every 50 hours](#).
3. Change engine oil and filter.
4. Change hydraulic oil filters and add hydraulic oil as necessary.
5. If machine is not equipped with an automatic belt tensioner, check the fan belt tension.

Document Title: <b>Service position</b>	Function Group: <b>191</b>	Information Type: <b>Service Information</b>	Date: <b>4/28/2026</b>
Profile: <b>PF3172 Volvo</b>			

## Service positions

Showing Selected Profile

Valid for serial numbers			
Model	Production site	Serial number start	Serial number stop
PF3172 Volvo			

1. Park machine on firm level ground.
2. Apply the parking brake.
3. Place all controls and switches in the OFF (stop) position.
4. Lower the hopper wings to the lowest position.
5. Lower the screed onto the ground or appropriate supports.
6. Shut down the engine.
7. Remove the ignition key and tag the steering wheel.
8. Turn the battery master disconnect to the OFF position.

**NOTE!**

Disconnect battery terminals at battery if working on the electrical system of machine.

If welding is to be performed on the machine, turn the battery master switch to OFF position and disconnect power cable from the alternator. Refer to [Welding and grinding work](#).

9. Place appropriate wheel chocks in front of and behind both drive wheels.

Document Title: <b>Safety concerns everybody!</b>	Function Group: <b>191</b>	Information Type: <b>Service Information</b>	Date: <b>4/28/2026</b>
Profile: <b>PF3172 Volvo</b>			

## Safety concerns everybody!

Showing Selected Profile

Valid for serial numbers			
Model	Production site	Serial number start	Serial number stop
PF3172 Volvo			

### Always keep the Operator's Manual in the machine for handy reference.

Many hours of skilled and careful design have gone into manufacturing the safest and most efficient machines possible. All of this time and effort could be wasted if an operator or service person does not read and follow safety instructions and procedures. Unfortunate accidents and personal injury can result from failure to replace guards, climbing on slippery areas instead of using a ladder, using hoses or other parts instead of hand rails and failing to use correct tools and procedures. Properly operated, maintained and serviced machines rarely cause accidents. Maintain and promote safe and efficient machine operation, and always use genuine spare parts designed and intended for each specific machine.



**Any person who does not follow the safety instructions and who ignores warnings in this manual must make absolutely sure that their work method is safe. Otherwise, there is a great risk of serious accidents and injuries, perhaps even fatalities.**



### WARNING SYMBOL

**This symbol will appear at various places in this manual along with a warning statement. It means "Warning, be alert! Your safety is involved!"**

Become familiar with the capacity and limits of the machine!