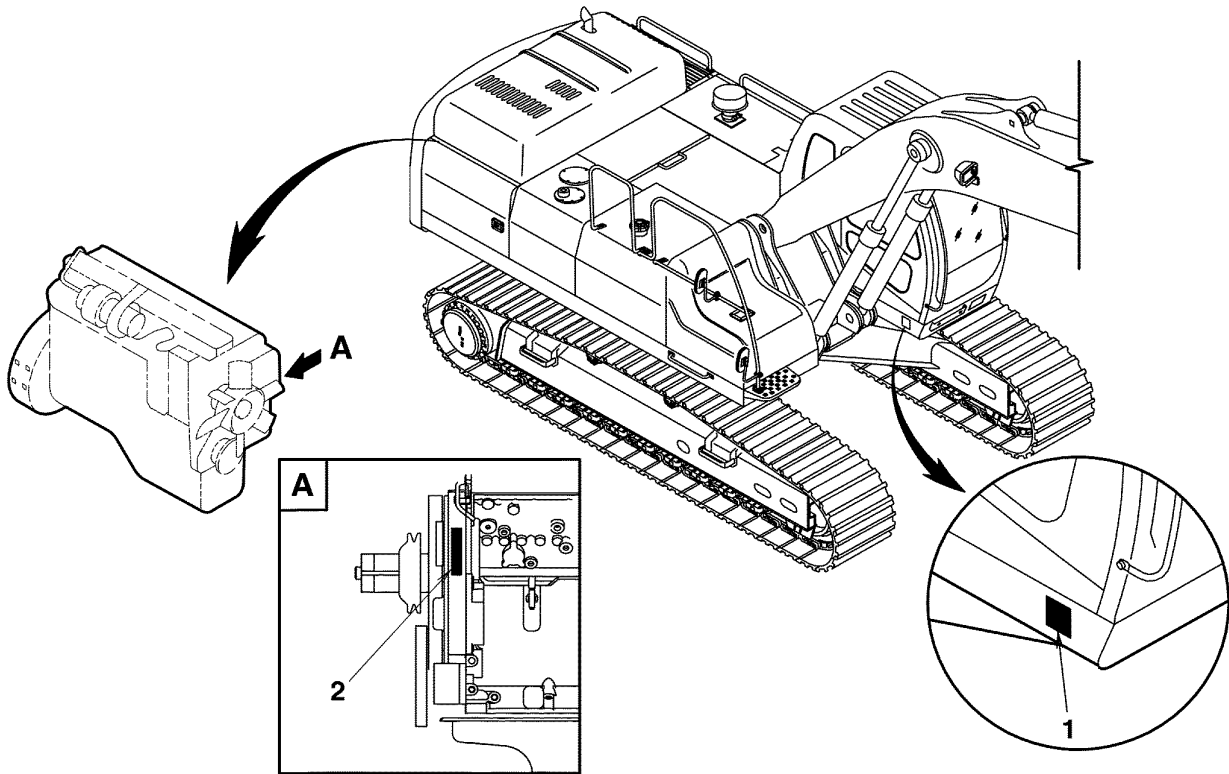


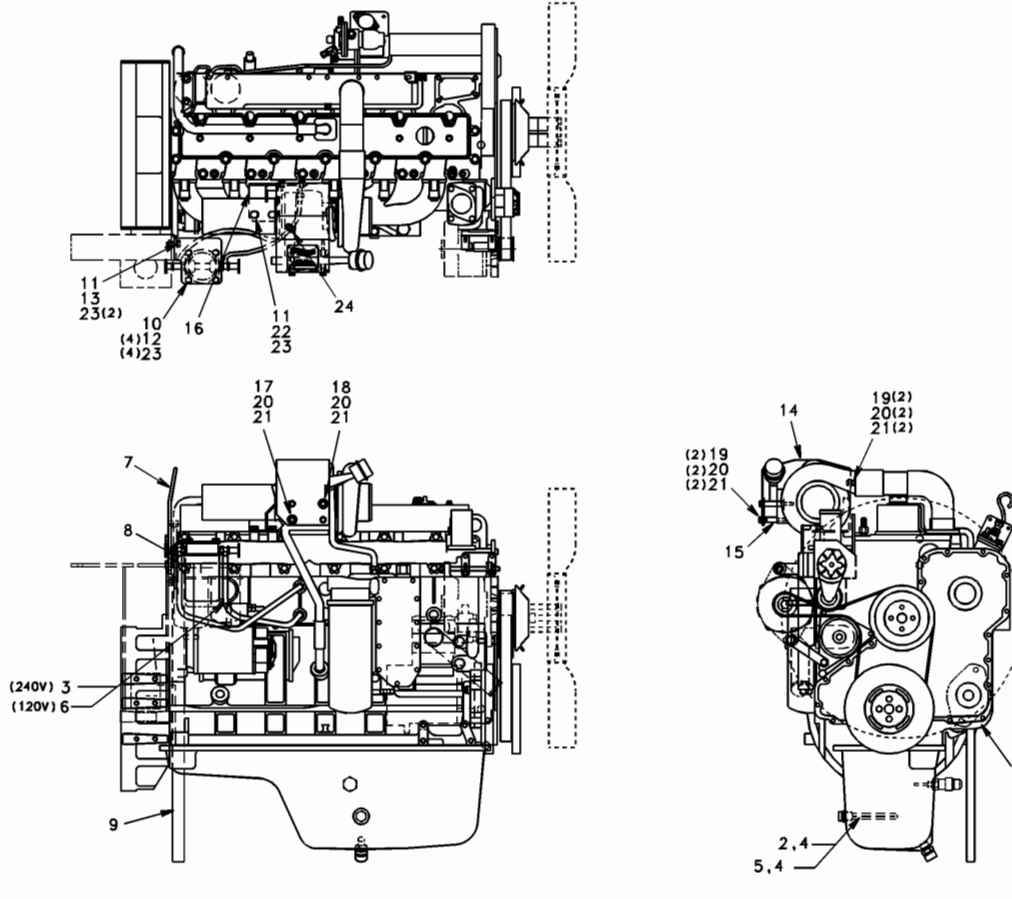
Date: 11/27/2025	Image id: SB100	Catalogue: 56118	Model: EC240
Brand: Volvo	Serial: 3001-9999	Group/Section: 030/100	Title: Product identification plate



Volvo Construction
Equipment
SB100

Pos	Part	Q1	Q2	Q3	Q4	Q5	PS	Kit	Description	Option(s)	Remark
1									Product sign plate		
2									Engine sign plate		

Date: 11/27/2025	Image id: 1005747	Catalogue: 56118	Model: EC240
Brand: Volvo	Serial: 3001-9999	Group/Section: 210/100	Title: Engine



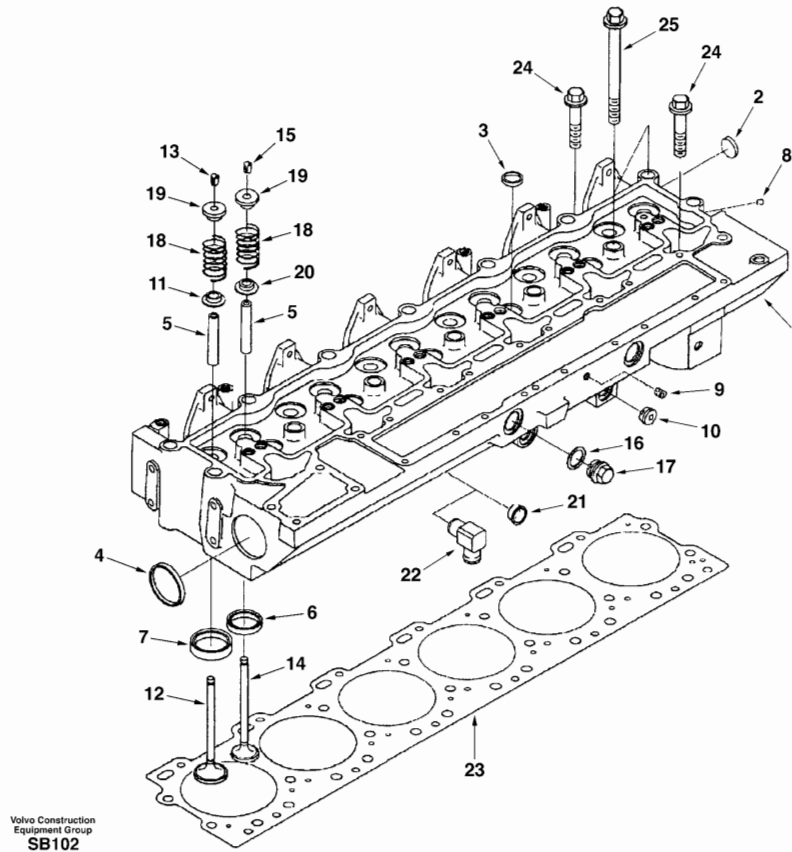
Section option	Kit	Option description
SADE04B001		Without air pre-heater for engine
SADE04B002		Air heater for engine
SADE04C001		Engine block heater 120V
SADE04C002		Engine block heater 240V
SADE11A002		Anti-slip treads without Engine room maintenance

Q1-Q5	Option	Option description	
Q1	DE04B001		
Q2	DE04B002		
Q3	DE04C001		
Q4	DE04C002		
Q5	DE11A002		

Pos	Part	Q1	Q2	Q3	Q4	Q5	PS	Kit	Description	Option(s)	Remark
1	SA1111-00302	1					CS		Engine		TROPICAL
	SA1111-00052		1				CS		Engine		STANDARD

2	SA2011-00450				1				Heater		240V
3	SA2011-00510				1				Heater		
4	VOE13947627			1	1				Plane gasket		(SA9426-20080)
5	SA2011-00460			1					Heater		120V
6	SA2011-00520			1					Heater		
7	SA1111-00561		1					CS	Bracket		
8	SA9312-10175	1	1					SS	Hose clamp		
9	SA9952-26020	1	1					CS	Hose		
10	SA1111-00171	1	1					CS	Bracket		SER NO 3001-3410
		1	1					NS	Bracket		SER NO 3411-
11	SA9011-11004	1	1			2		SS	Bolt		
12	SA9081-11607	4	4					CS	Hexagon screw		SER NO 3001-3324
13	VOE997436	1	1						Hexagon screw		(SA9011-11006)
14	SA1111-00360					1		CS	Screen		
15	SA1111-00370					1		CS	Bracket		
16	SA1111-00381					1		CS	Bracket		
17	VOE983249					1			Hexagon screw		(SA9011-20815)
18	VOE992558					1			Hexagon screw		(SA9011-20811)
19	SA9011-10803					4		SS	Bolt		
20	VOE60110236	6							Plain washer		(SA9211-08000)SER NO 3001-3324
	VOE60110236					4			Plain washer		(SA9211-08000)SER NO 3001-
21	SA9213-08000					6		SS	Spring washer		
22	VOE997383					2			Washer		(SA9211-10000)
23	SA9213-10000	2						SS	Spring washer		SER NO 3325-
	SA9213-10000		8					SS	Spring washer		SER NO 3001-3324
	SA9213-10000		2					SS	Spring washer		SER NO 3325-
	SA9213-10000					2		SS	Spring washer		
24	SA9314-02100	2	2						Cable tie		SER NO 3325-

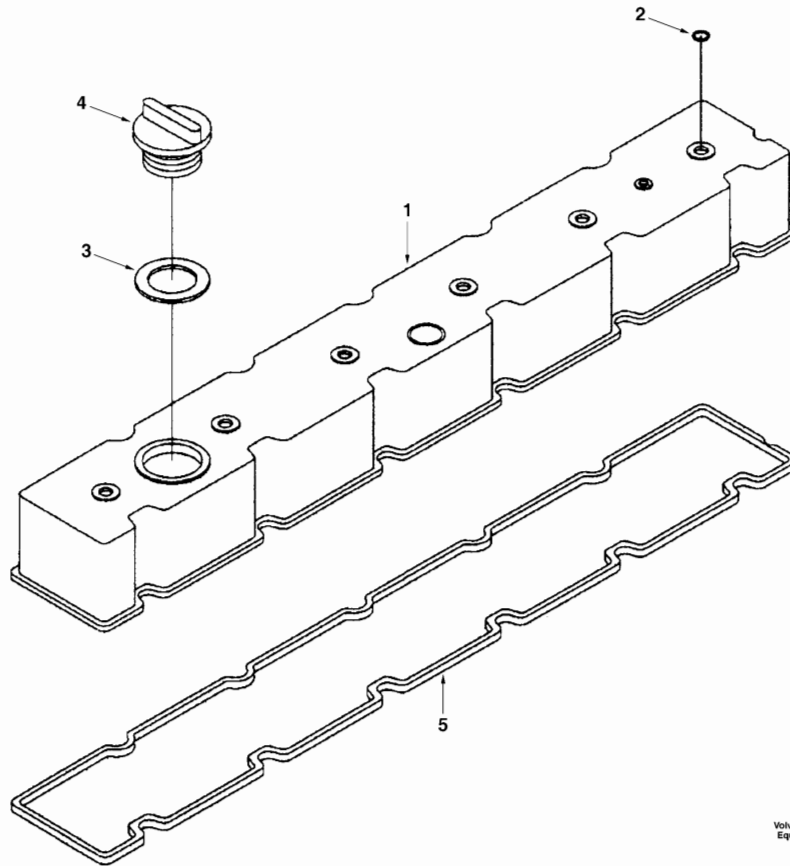
Date: 11/27/2025	Image id: SB102	Catalogue: 56118	Model: EC240
Brand: Volvo	Serial: 3001-9999	Group/Section: 211/100	Title: Cylinder head



Pos	Part	Q1	Q2	Q3	Q4	Q5	PS	Kit	Description	Option(s)	Remark
1	SA3802465	1					CS		Head		
2	SA3920443	1					CS		•Plug		
3	SA3032693	5					CS		•Plug		
4	SA3922072	2							•Plug		
5	SA3925863	12					CS		•Guide		
6	SA3928174	6					CS		•Valve		EXHAUST
7	SA3924582	6					CS		•Insert		INLET
8	SA3008464	1					CS		•Plug		
9	SA3008466	1					CS		•Plug		
10	SA3008468	1							•Tube plug		
11	SA3915707	6					CS		•Seal		INLET
12	SA3802463	6					CS		•Valve		
	SA3924492	6					SS		••Valve		
13	SA3901177	12					CS		••Collet		
14	SA3802085	6					CS		•Valve		
	SA3921444	6					SS		••Valve		

15	SA3901177	12					CS	••Collet		
16	VOE11716074	2						•Washer		(SA3902425)
17	SA3924148	2					CS	•Plug		
18	SA3906412	12					CS	•Spring		INLET,EXHAUST
19	SA3912976	12					CS	•Retainer		
20	SA3919038	6					CS	•Seal		
21	SA3912900	1					CS	•Plug		
22	SA3924138	1					CS	•Clutch		
23	SA3938267	1					CS	Gasket		(SA3931019)
	SA3928180	1					CS	Gasket		0.25MM OS
	SA3928181	1					CS	Gasket		0.50MM OS
24	SA3917729	12					CS	Cylinder bolt		
25	SA3917728	14						Bolt		

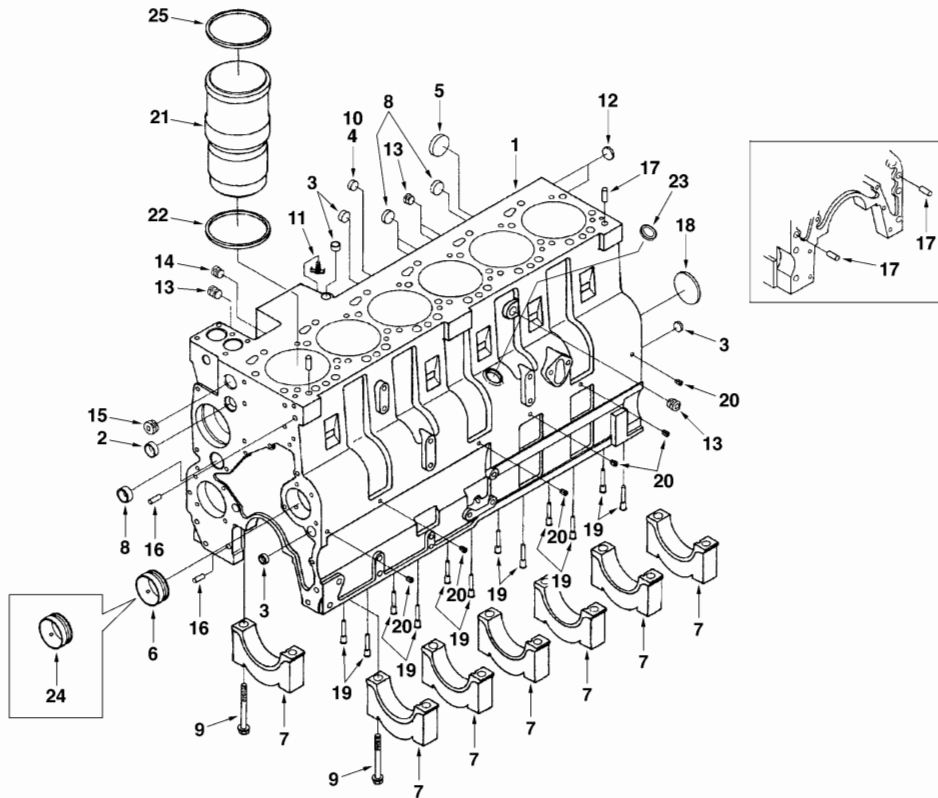
Date: 11/27/2025	Image id: SB103	Catalogue: 56118	Model: EC240
Brand: Volvo	Serial: 3001-9999	Group/Section: 211/200	Title: Valve cover



Volvo Construction
Equipment Group
SB103

Pos	Part	Q1	Q2	Q3	Q4	Q5	PS	Kit	Description	Option(s)	Remark
1	SA3927907	1					SS		Cover		
2	SA3282133	6					SS		O-ring		
3	SA3902466	1					CS		Seal		
4	SA3902468	1							Filler cap		
5	VOE11716080	1					CS		Seal		(SA3905449)

Date: 11/27/2025	Image id: SB104	Catalogue: 56118	Model: EC240
Brand: Volvo	Serial: 3001-9999	Group/Section: 212/100	Title: Cylinder block

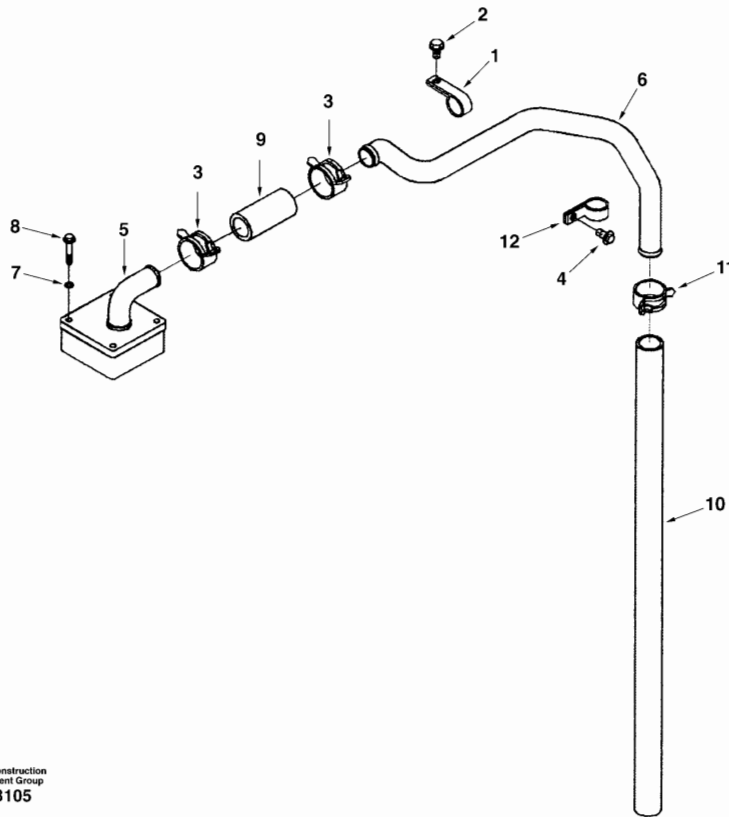


Volvo Construction
Equipment Group
SB104

Pos	Part	Q1	Q2	Q3	Q4	Q5	PS	Kit	Description	Option(s)	Remark
1	SA3802408	1					CS		Block		
2	SA143066	1					CS		•Plug		
3	SA3004258	4					CS		•Plastic plug		
4	SA156075	2					CS		•Plug		
5	SA3900965	1					SS		•Plug		
6	SA3901685	7					CS		•Bushing		
7	SA3917313	7					CS		•Cap		
8	SA3905401	4					CS		•Plug		
9	SA3916369	14					CS		•Screw		
10	SA3802367	1					CS		•Kit		SET-HARDWARE
	SA3812090	1					SS		••Plug		
11	SAS923E	1					CS		••Shut-off Cock		
12	SA3920706	2							••Expansion plug		
13	SA3008468	4							••Tube plug		
14	SA3008469	2					CS		••Plug		
15	SA3008470	1					CS		••Plug		

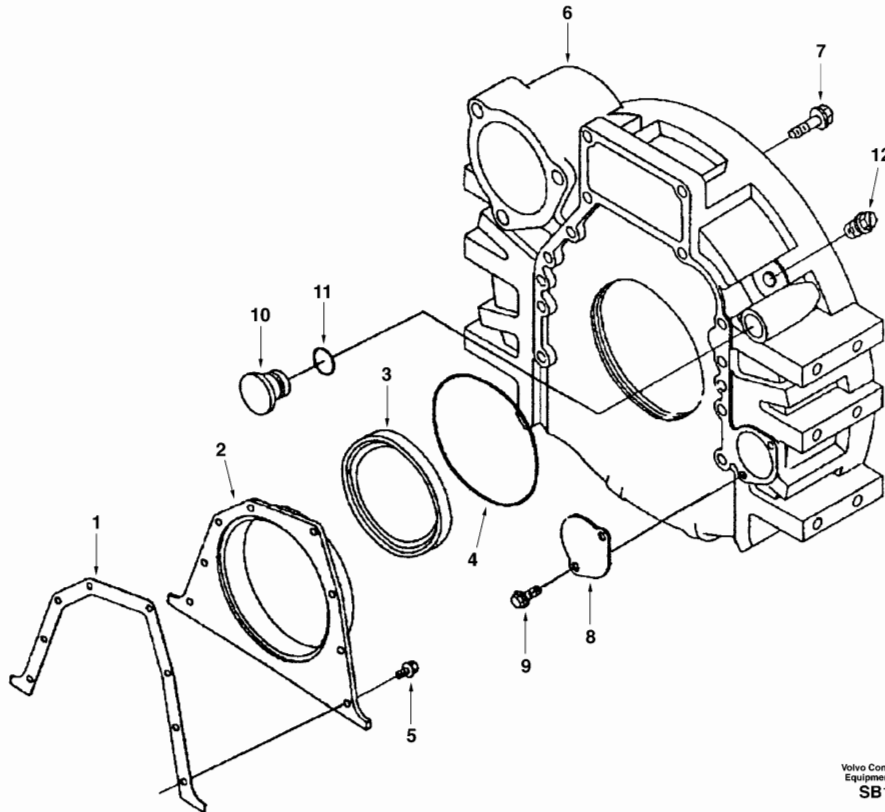
16	SA3900257	2					CS		••Locating pin		
17	SA3901846	4					CS		••Locating pin		
18	SA3901969	1							••Plug		
19	SA3919003	12					SS		••Nozzle		
20	SA3906619	6					CS		••Plug		
21	SA3802407	6					CS	K	Liner		
22	SA3907177	1					SS		•Seal		
23	SA3905401	1					CS		Plug		
24	SA3908280	REQ					CS		Bushing		OS CAMSHAFT
25	SA3914653	REQ					CS		Shim		0.25MM OS
	SA3914654	REQ					SS		Shim		0.38MM OS
	SA3914655	REQ					CS		Shim		0.50MM OS
100	SA3802403	6					CS		Cylinder		CYLINDER KIT

Date: 11/27/2025	Image id: SB105	Catalogue: 56118	Model: EC240
Brand: Volvo	Serial: 3001-9999	Group/Section: 212/200	Title: Crankcase ventilation



Pos	Part	Q1	Q2	Q3	Q4	Q5	PS	Kit	Description	Option(s)	Remark
1	SA3018309	1					CS		Clip		
2	SA3912072	1					CS		Screw		
3	SA3925089	2					CS		Clamp		
4	SA3901249	1					CS		Screw		
5	SA3928772	1					CS		Breather		
6	SA3930255	1					CS		Pipe		
7	SA3930247	4					CS		Washer		
8	SA3930248	4					CS		Screw		
9	SA3930309	1					CS		Hose		
10	SA9952-26019	1					CS		Hose		
11	SA9312-00010	1					CS		Hose clamp		
12	SA107460	1					CS		Clip		

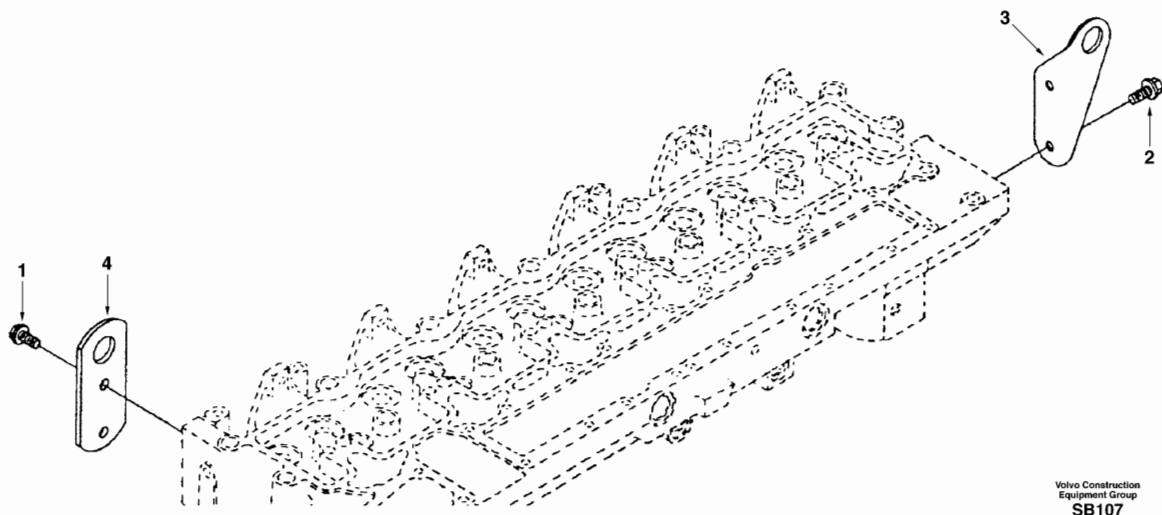
Date: 11/27/2025	Image id: SB106	Catalogue: 56118	Model: EC240
Brand: Volvo	Serial: 3001-9999	Group/Section: 212/300	Title: Flywheel housing



Volvo Construction
Equipment Group
SB106

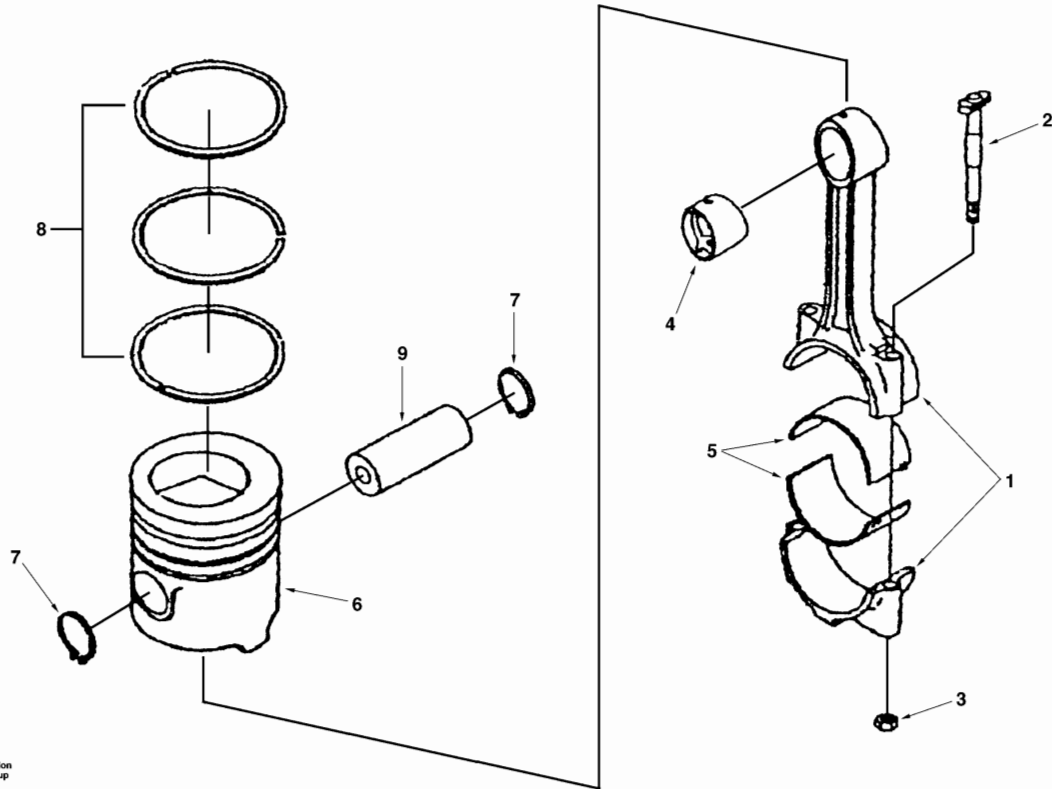
Pos	Part	Q1	Q2	Q3	Q4	Q5	PS	Kit	Description	Option(s)	Remark
1	SA3939353	1							Gasket		(VOE11716094) (SA3914301)
2	SA3921042	1					SS		Cover		
3	SA3926126	1					CS		Sealing kit		
4	SA3912473	1					SS		Seal		
5	SA3913638	8							Screw		
6	SA3908799	1					CS		Flywheel housing		
7	SA3920447	12					CS		Screw		
8	SA3925234	1					CS		Plate		
9	SA3912072	2					CS		Screw		
10	SA3910248	1					CS		Plug		
11	VOE11716085	1					CS		Seal		(SA3910260)
12	SA3904181	1					CS		Plug		

Date: 11/27/2025	Image id: SB107	Catalogue: 56118	Model: EC240
Brand: Volvo	Serial: 3001-9999	Group/Section: 212/500	Title: Lifting eye



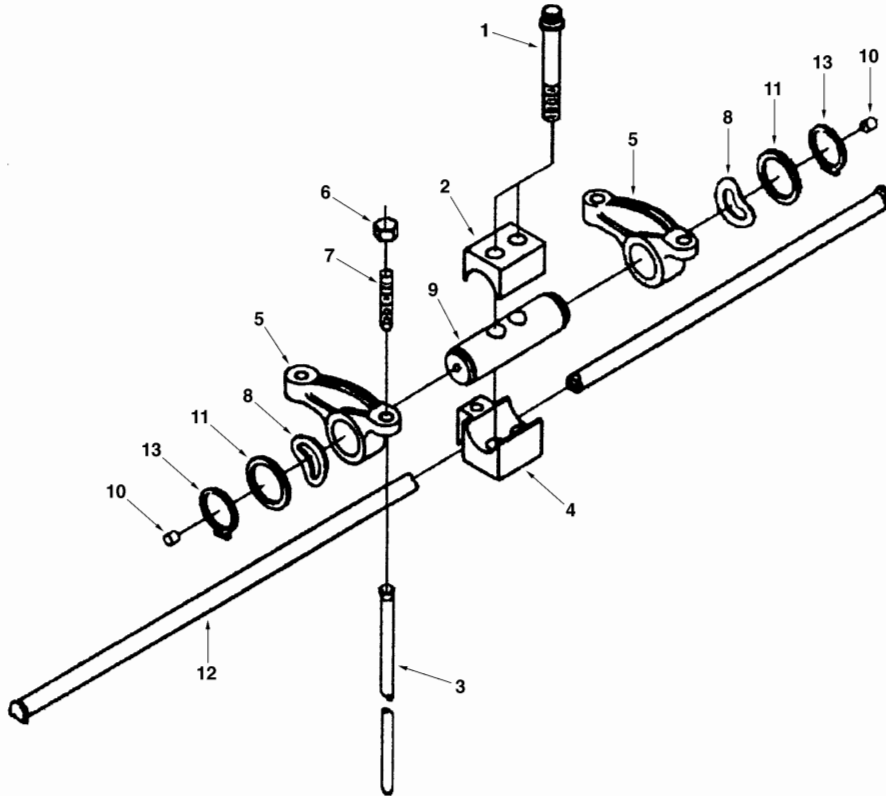
Pos	Part	Q1	Q2	Q3	Q4	Q5	PS	Kit	Description	Option(s)	Remark
1	SA3901249	2					CS		Screw		
2	SA3903200	2					CS		Screw		
3	SA1111-00561	1					CS		Bracket		
4	SA3907861	1					CS		Bracket		

Date: 11/27/2025	Image id: SB108	Catalogue: 56118	Model: EC240
Brand: Volvo	Serial: 3001-9999	Group/Section: 213/100	Title: Connecting rod and piston



Pos	Part	Q1	Q2	Q3	Q4	Q5	PS	Kit	Description	Option(s)	Remark
1	SA3901383	6					CS		Connecting Rod		
	SA3924350	1					SS		•Connecting Rod		
2	SA3928870	2					CS		•Bolt		
3	SA3901381	2					SS		•Nut		
4	SA3913990	1					CS		•Bushing		
5	SA3901430	12					CS		Bearing		STANDARD
	SA3901431	REQ					CS		Bearing		0.010INCH OS
	SA3901432	REQ					CS		Bearing		0.020INCH OS
	SA3901433	REQ					CS		Bearing		0.030INCH OS
	SA3901434	REQ					CS		Bearing		0.040INCH OS
6	SA3802397	6					CS	K	Piston		
	SA3923163	1					CS		•Piston		
7	SA3901996	2					CS		•Ring		
8	SA3802429	1					CS		•Ring		STANDARD
9	SA3901597	6					CS		Pin		
100	SA3802403	6					CS		Cylinder		CYLINDER KIT

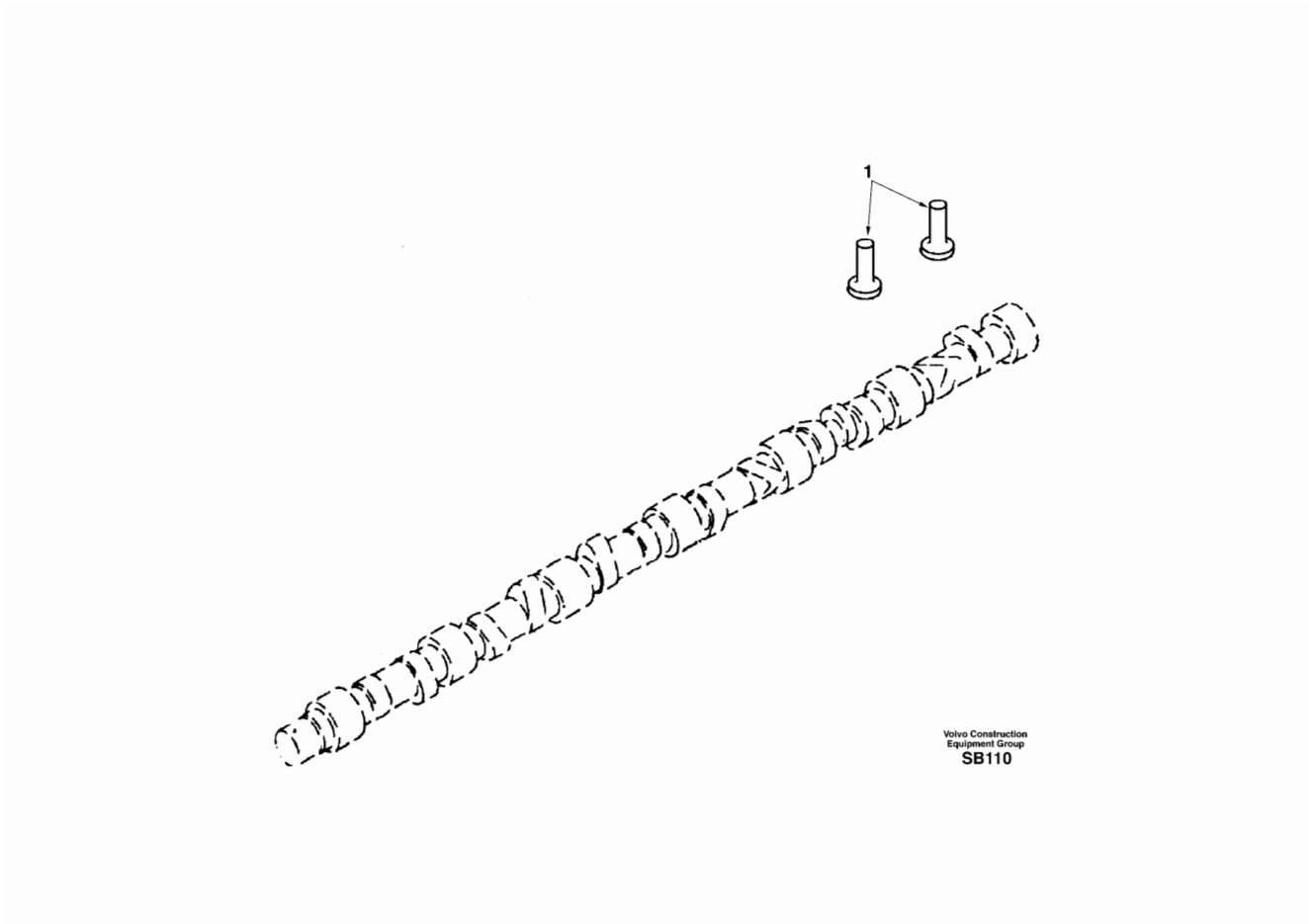
Date: 11/27/2025	Image id: SB109	Catalogue: 56118	Model: EC240
Brand: Volvo	Serial: 3001-9999	Group/Section: 214/200	Title: Rocker arm



Volvo Construction
Equipment Group
SB109

Pos	Part	Q1	Q2	Q3	Q4	Q5	PS	Kit	Description	Option(s)	Remark
1	SA3901617	12					CS		Screw		
2	SA3901693	6					CS		Clamp		
3	SA3905194	12					CS		Rod		
4	SA3905870	6					CS		Support		
5	SA3901717	12					CS		Lever		
6	SA3927692	1					CS		•Nut		
7	SA3934086	1					CS		•Screw		
8	SA3906100	12					CS		Washer		
9	SA3919435	6					CS		Shaft		
10	SA3919434	2					CS		•Rivet		
11	SA3907206	12					CS		Washer		
12	SA3919677	1					CS		Manifold		
13	SA3901764	12					CS		Ring		

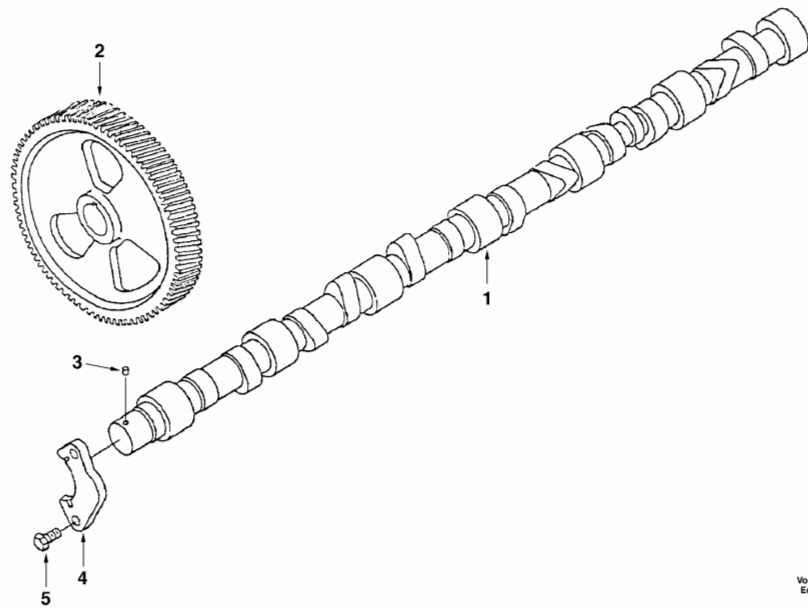
Date: 11/27/2025	Image id: SB110	Catalogue: 56118	Model: EC240
Brand: Volvo	Serial: 3001-9999	Group/Section: 214/300	Title: Valve tappet



Volvo Construction
Equipment Group
SB110

Pos	Part	Q1	Q2	Q3	Q4	Q5	PS	Kit	Description	Option(s)	Remark
1	SA3931623	12					CS		Tappet		

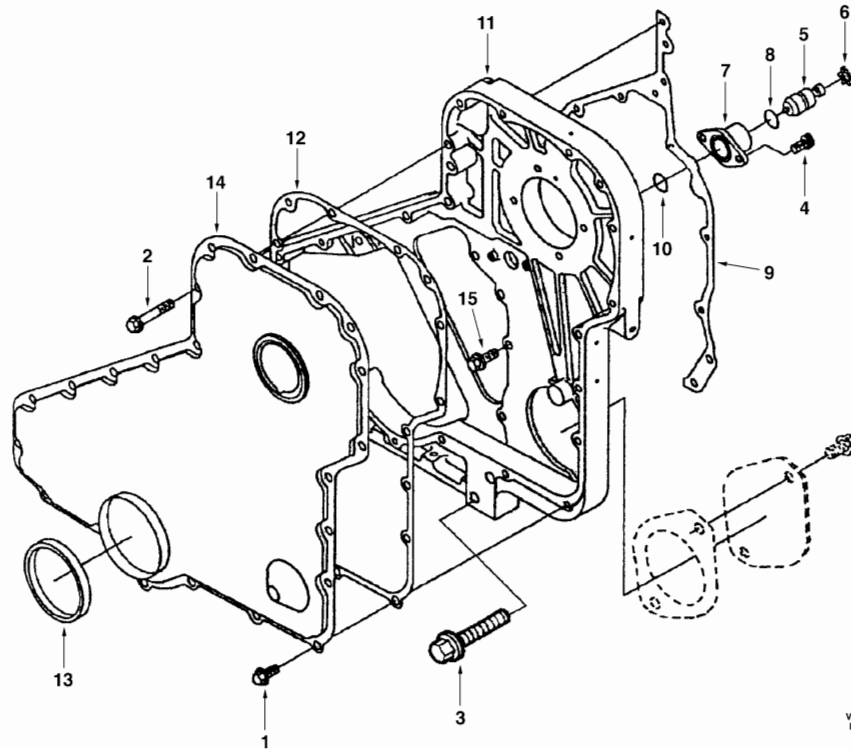
Date: 11/27/2025	Image id: SB111	Catalogue: 56118	Model: EC240
Brand: Volvo	Serial: 3001-9999	Group/Section: 215/100	Title: Camshaft



Volvo Construction
Equipment Group
SB111

Pos	Part	Q1	Q2	Q3	Q4	Q5	PS	Kit	Description	Option(s)	Remark
1	SA3924471	1					CS		Camshaft		
2	SA3918777	1					CS		Gear		
3	SA3902332	1					CS		Key		
4	SA3927155	1					CS		Support		
5	SA3900227	2					CS		Screw		

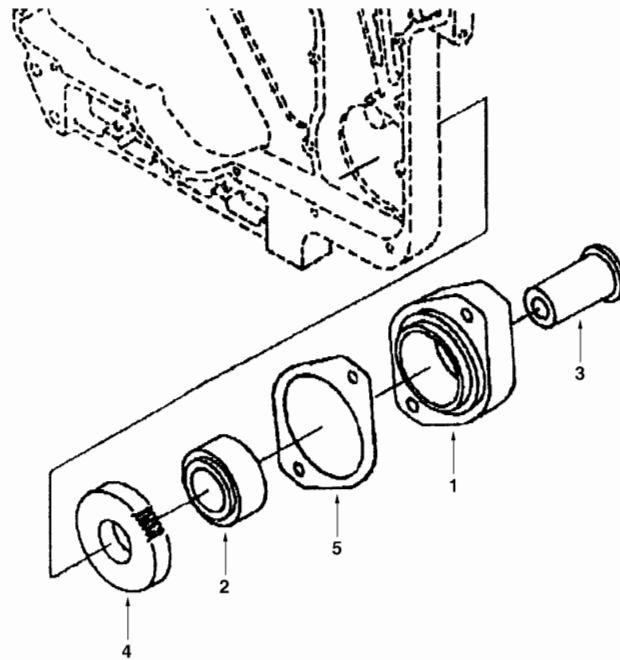
Date: 11/27/2025	Image id: SB112	Catalogue: 56118	Model: EC240
Brand: Volvo	Serial: 3001-9999	Group/Section: 215/200	Title: Timing gear casing



Volvo Construction
Equipment Group
SB112

Pos	Part	Q1	Q2	Q3	Q4	Q5	PS	Kit	Description	Option(s)	Remark
1	SA3900629	16					CS		Screw		
2	SA3900633	6					CS		Screw		
3	SA3902116	4					CS		Screw		
4	SA3907998	2					CS		Screw		
5	SA3903924	1					CS		Pin		
6	SA3904849	1							Retaining ring		
7	SA3905933	1					SS		Cover		
8	VOE11716092	1					CS		Seal		(SA3913994)
9	SA3914303	1					SS		Gasket		REMAN VOE9011707138
10	SA3915772	1					SS		Seal		
11	SA3914945	1					SS		Housing		
12	VOE11716098	1					CS		Gasket		(SA3917780)
13	SA4025270	1					CS		Seal		(SA3353977)
14	SA3916193	1					SS		Cover		
15	SA3900630	5					CS		Screw		

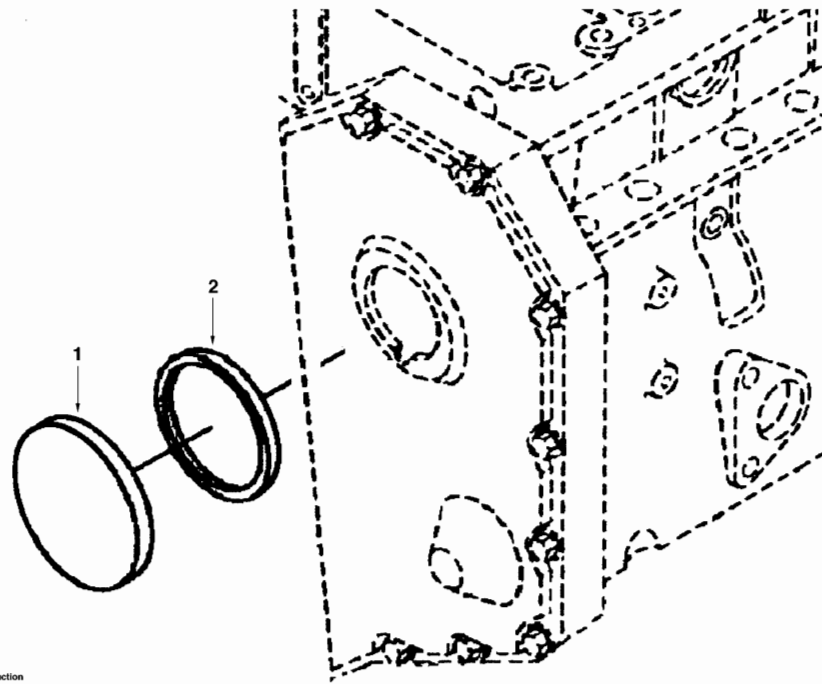
Date: 11/27/2025	Image id: SB113A	Catalogue: 56118	Model: EC240
Brand: Volvo	Serial: 3001-9999	Group/Section: 215/300	Title: Pump drive power take-off



Volvo Construction
Equipment Group
SB113A

Pos	Part	Q1	Q2	Q3	Q4	Q5	PS	Kit	Description	Option(s)	Remark
1	SA3924882	1					CS		Drive Unit		
	SA3931088	1					SS		•Adapter		
2	SA3902601	1					CS		•Roller bearing		
3	SA3923242	1					CS		•Shaft		
4	SA3902595	1					CS		•Gear		
5	SA3913287	1							Gasket		

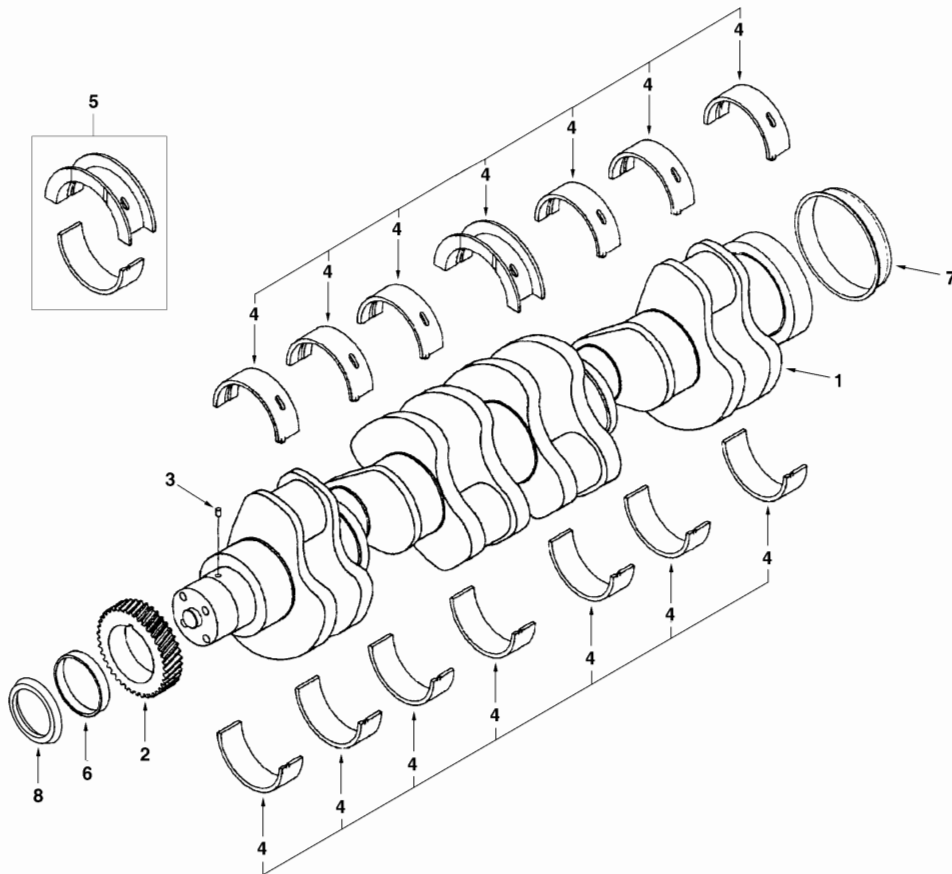
Date: 11/27/2025	Image id: SB115	Catalogue: 56118	Model: EC240
Brand: Volvo	Serial: 3001-9999	Group/Section: 215/500	Title: Tachometer drive cover



Volvo Construction
Equipment Group
SB115

Pos	Part	Q1	Q2	Q3	Q4	Q5	PS	Kit	Description	Option(s)	Remark
1	SA3903463	1							Cover		
2	SA3903475	1					SS		Seal		

Date: 11/27/2025	Image id: 1005837	Catalogue: 56118	Model: EC240
Brand: Volvo	Serial: 3001-9999	Group/Section: 216/100	Title: Crankshaft



Volvo Construction
Equipment
1005837

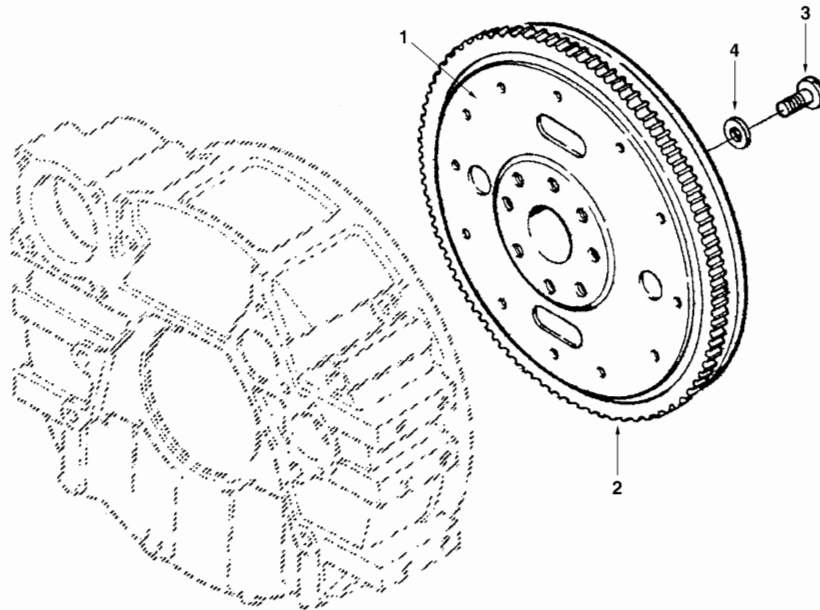
Section option	Kit	Option description
SADE04B001		Without air pre-heater for engine
SADE04B002		Air heater for engine

Q1-Q5	Option	Option description	
Q1 DE04B001			
Q2 DE04B002			

Pos	Part	Q1	Q2	Q3	Q4	Q5	PS	Kit	Description	Option(s)	Remark
1	SA3918986	1	1				CS		Crankshaft		
2	SA3918776	1	1				CS		•Gear		
3	SA3904483	1	1				CS		•Locating pin		
4	SA3802210	1	1				SS		Bearing		STANDARD
	SA3802211	1	1				CS		Bearing		
	SA3802212	1	1				CS		Bearing		
	SA3802213	1	1				CS		Bearing		
	SA3802214	1	1				CS		Bearing		

	SA3916844	1	1				SS		Bearing		
5	SA3921544	1	1				CS		Bearing		
	SA3921545	1	1				CS		Bearing arrangement		
	SA3921546	1	1				CS		Bearing arrangement		
6	SA3920408	1	1				SS		Sleeve		
7	SA3906081	1	1				SS		Sleeve		
8	SA3918113	1	1				SS		Seal		

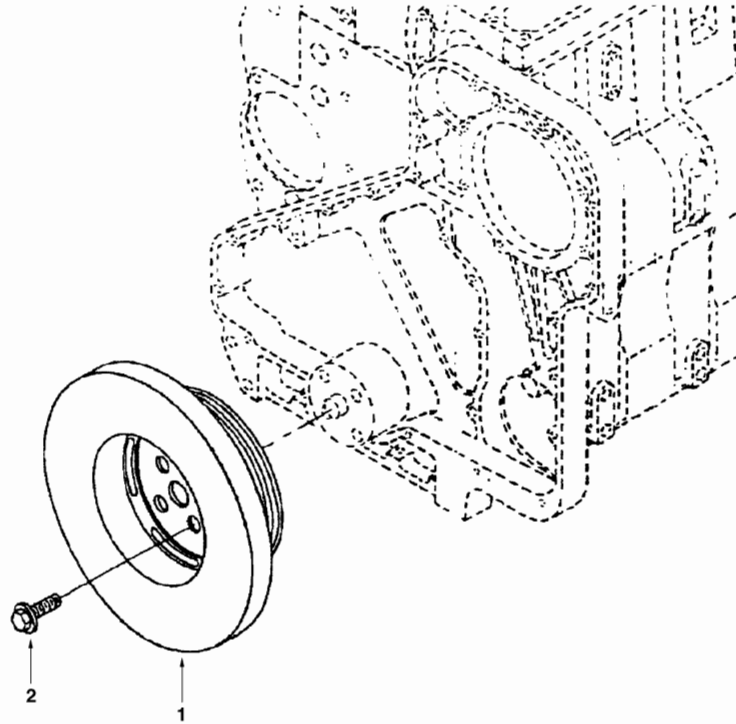
Date: 11/27/2025	Image id: SB117	Catalogue: 56118	Model: EC240
Brand: Volvo	Serial: 3001-9999	Group/Section: 216/200	Title: Flywheel



Volvo Construction
Equipment Group
SB117

Pos	Part	Q1	Q2	Q3	Q4	Q5	PS	Kit	Description	Option(s)	Remark
1	SA3973363	1					SS		Flywheel		
	SA3973362	1					CS		•Flywheel		
2	SA3905427	1					CS		•Gear		
3	SA3901395	8					CS		Screw		
4	SA3900269	8					CS		Washer		

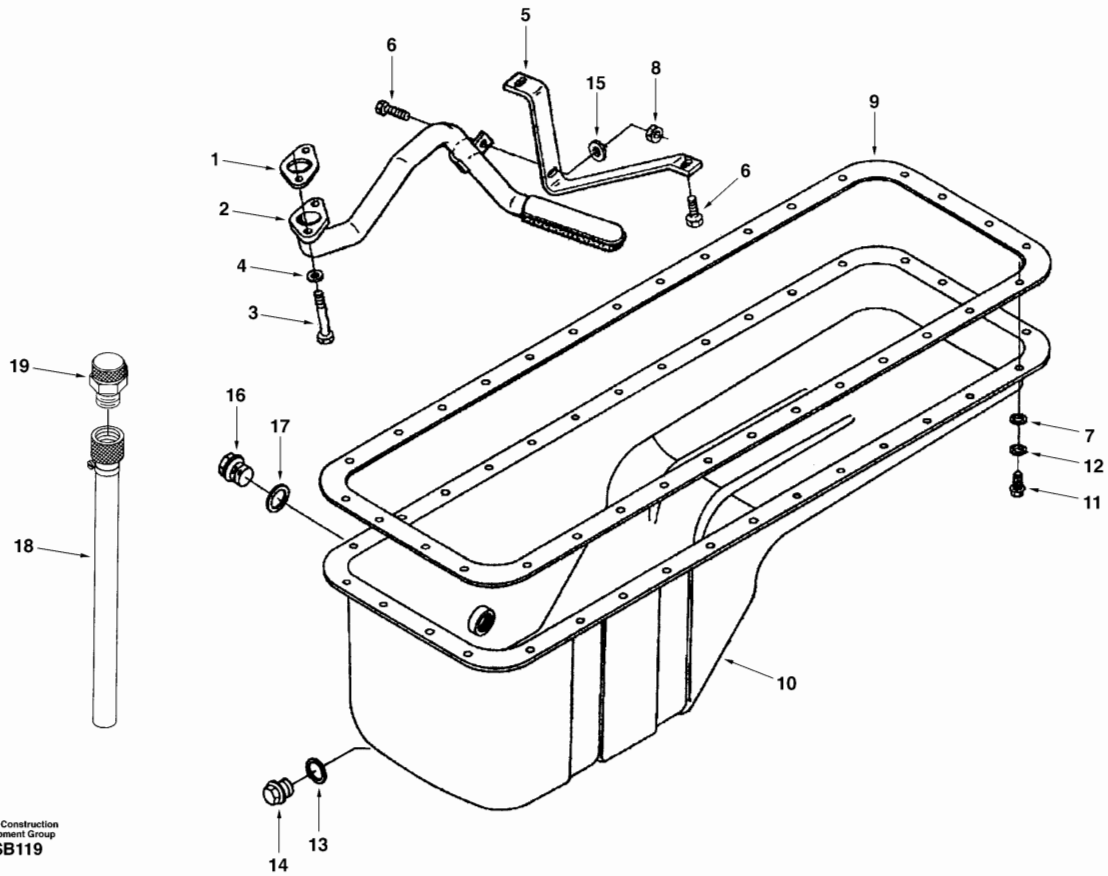
Date: 11/27/2025	Image id: SB118	Catalogue: 56118	Model: EC240
Brand: Volvo	Serial: 3001-9999	Group/Section: 216/300	Title: Vibration damper



Volvo Construction
Equipment Group
SB118

Pos	Part	Q1	Q2	Q3	Q4	Q5	PS	Kit	Description	Option(s)	Remark
1	SA3925570	1					CS		Damper		
2	SA3906733	4					CS		Screw		

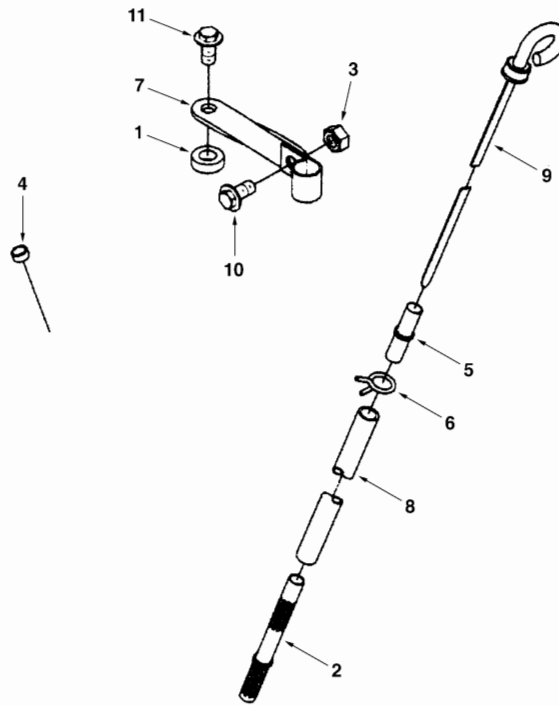
Date: 11/27/2025	Image id: SB119	Catalogue: 56118	Model: EC240
Brand: Volvo	Serial: 3001-9999	Group/Section: 217/100	Title: Oil sump



Pos	Part	Q1	Q2	Q3	Q4	Q5	PS	Kit	Description	Option(s)	Remark
1	SA3914302	1					CS		Gasket		
2	SA3931979	1					CS		Connector		
3	SA3900628	2					CS		Screw		
4	SA3926865	2					CS		Spacer		
5	SA3931787	1					CS		Brace		
6	SA3901865	4					CS		Bolt		
7	SA3908316	32					CS		Washer		
8	SA3906216	1					CS		Nut		
9	SA3930408	1					CS		Gasket		
10	SA3931790	1					SS		Oil Pan		
11	SA3902114	32					CS		Screw		
12	SA3910266	32					CS		Washer		
13	SA3920773	1					CS		Washer		
14	SA3914148	1					SS		Plug		
15	SA3910960	1					CS		Washer		
16	SA3924147	1					CS		Plug		

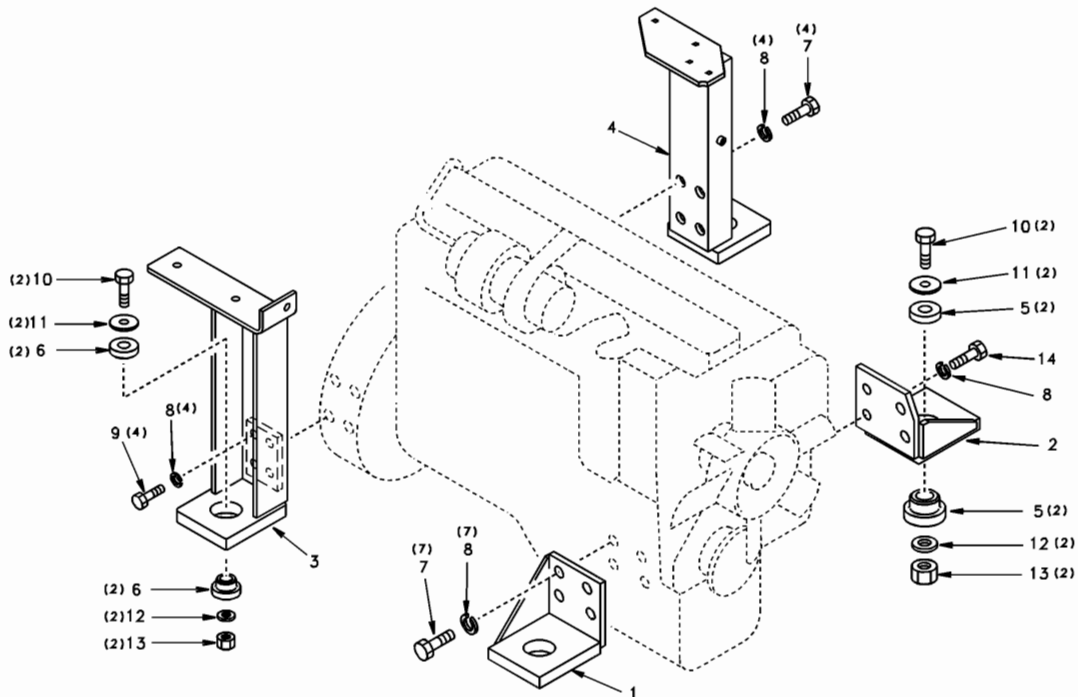
17	VOE11716074	1						Washer		(SA3902425)
18	SA3282945	1					CS	Adapter		
19	SA3283505	1					CS	Valve		

Date: 11/27/2025	Image id: SB120	Catalogue: 56118	Model: EC240
Brand: Volvo	Serial: 3001-9999	Group/Section: 217/200	Title: Oil dipstick



Pos	Part	Q1	Q2	Q3	Q4	Q5	PS	Kit	Description	Option(s)	Remark
1	SA68368-B	1					CS		Spacer		
2	SA3279104	1					CS		Pipe		
3	SA3900240	1					CS		Nut		
4	SA3900955	1							Plug		
5	SA3905802	1					CS		End		
6	SA3909395	1					CS		Clamp		
7	SA3915152	1					CS		Brace		
8	SA3917314	1					CS		Pipe		
9	SA3932071	1					CS		Dipstick		
10	SA3925883	1							Bolt		
11	SA3900678	1					CS		Bolt		

Date: 11/27/2025	Image id: SB121	Catalogue: 56118	Model: EC240
Brand: Volvo	Serial: 3001-9999	Group/Section: 218/100	Title: Engine mount



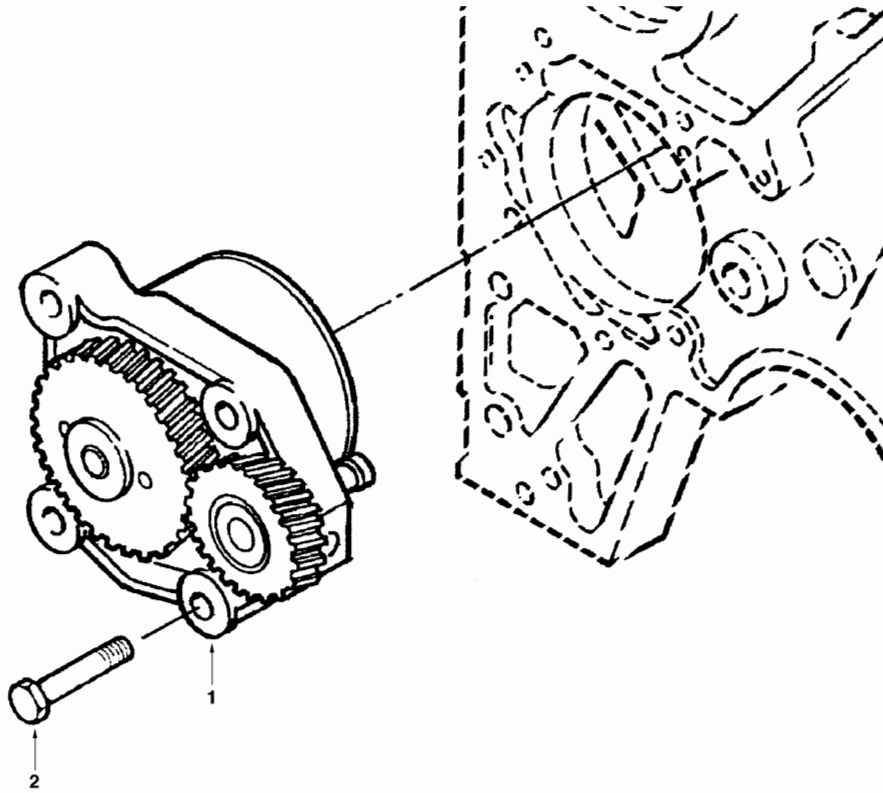
Volvo Construction
Equipment Group
SB121

Section option	Kit	Option description
SADE00A001		Basic Machine EC240

Pos	Part	Q1	Q2	Q3	Q4	Q5	PS	Kit	Description	Option(s)	Remark
1	SA1112-00210	1					CS		Bracket		
2	SA1112-01640	1					CS		Bracket		
3	SA1112-00232	1					SS		Bracket		SER NO 3001-3410
	VOE14507209	1					CS		Bracket		SER NO 3411-
4	SA1112-00243	1					CS		Bracket		
5	SA1112-00570	2					SS		Cushion		
6	VOE14526155	2							Cushion		(SA1112-00060)
7	SA9011-11206	11					SS		Bolt		
8	SA9213-12000	16					SS		Spring washer		
9	SA9011-21210	4					SS		Bolt		
10	VOE60110015	4							Hexagon screw		(SA9011-22221)
11	SA2012-00110	4					SS		Plate		
12	VOE992059	4							Plain washer		(SA9211-22000)

13	VOE991655	4						Hexagon nut		(SA9111-12200)
14	VOE991625	1					SS	Hexagon screw		(SA9011-11205)

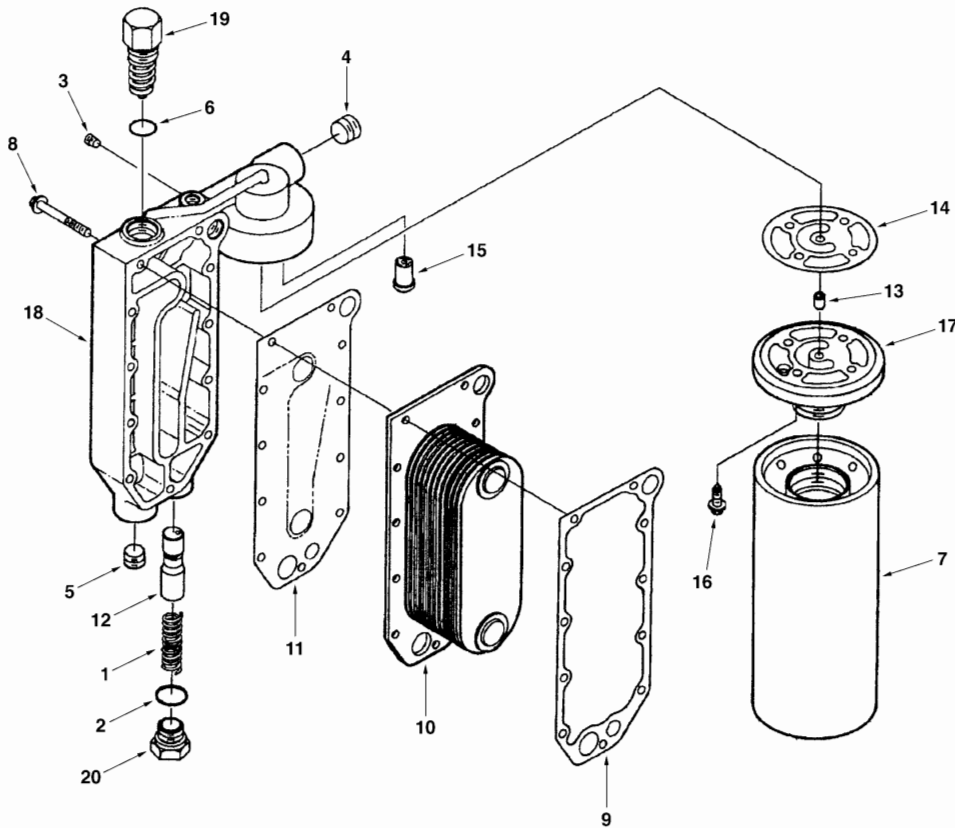
Date: 11/27/2025	Image id: SB122	Catalogue: 56118	Model: EC240
Brand: Volvo	Serial: 3001-9999	Group/Section: 221/100	Title: Oil pump



Volvo Construction
Equipment Group
SB122

Pos	Part	Q1	Q2	Q3	Q4	Q5	PS	Kit	Description	Option(s)	Remark
1	SA3802278	1					SS		Engine Oil Pump		
	SA3918532	1					SS		•Plunger		
2	SA3900677	4					CS		Screw		

Date: 11/27/2025	Image id: SB123	Catalogue: 56118	Model: EC240
Brand: Volvo	Serial: 3001-9999	Group/Section: 223/100	Title: Oil cooler



Pos	Part	Q1	Q2	Q3	Q4	Q5	PS	Kit	Description	Option(s)	Remark
1	SA68274	1					CS		Spring		
2	SA145508	1					CS		Seal		
3	SA3906619	2					CS		Plug		
4	SA3008469	1					CS		Plug		
5	SA3027232	1					CS		Plug		
6	SA3201562	1					CS		Seal		
7	VOE11712405	1							Oil Filter		(SA9912-18853)
8	SA3916073	11					CS		Screw		
9	VOE11716099	1					CS		Gasket		(SA3918174)
10	SA3918175	1					SS		Radiator Core		
11	SA3929011	1					CS		Gasket		
12	SA3918532	1					SS		Plunger		
13	SA118227	1					CS		Ring		
14	SA3921605	1					CS		Gasket		
15	SA3927622	1					SS		Relief valve		
16	SA3907860	4					CS		Screw		

Product: EC240 Volvo Excavator Part Manual

Full Download: <https://www.arepairmanual.com/downloads/ec240-volvo-excavator-part-manual/>

17	SA3918334	1					CS	Head		
18	SA3922882	1					SS	Head		
19	SA3923477	1					SS	Thermostat		
20	SA3919016	1					CS	Plug		