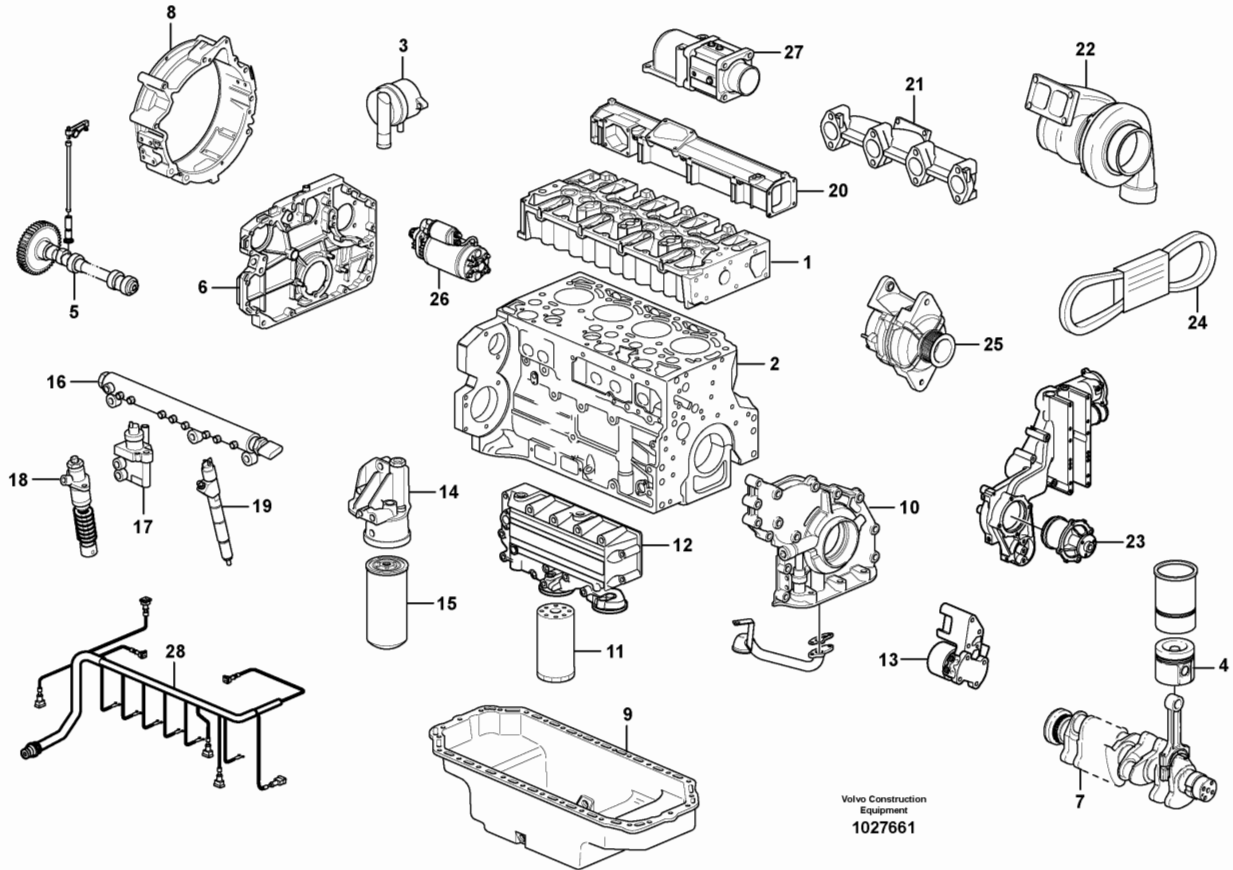


Date: 10/24/2025	Image id: 1027661	Catalogue: 20991	Model: EC210F 3
Brand:	Serial: 110001-, 130001-, 140001-	Group/Section: 210/100	Title: Engine 53901337



Volvo Construction
Equipment
1027661

Section option	Kit	Option description
VOE53901337		Engine Installation FOR TIER3

Pos	Part	Q1	Q2	Q3	Q4	Q5	PS	Kit	Description	Option(s)	Remark
	VOE17387726	1							Engine		D5E, REMAN VOE9017387726
1		1							•Cylinder head		See ref 211/100
2		1							•Cylinder block		See ref 212/100
3		1							•Crankcase ventilation		See ref 212/200
4		4							•Piston		See ref 213/100
5		1							•Valve mechanism		See ref 214/100
6		1							•Timing gear casing		See ref 215/100
7		1							•Crankshaft		See ref 216/100
8		1							•Flywheel Hsg		See ref 216/200
9		1							•Oil sump		See ref 217/100
10		1							•Lubricating system		See ref 221/100

Product: Volvo EC210F L3 Excavators Part Manual

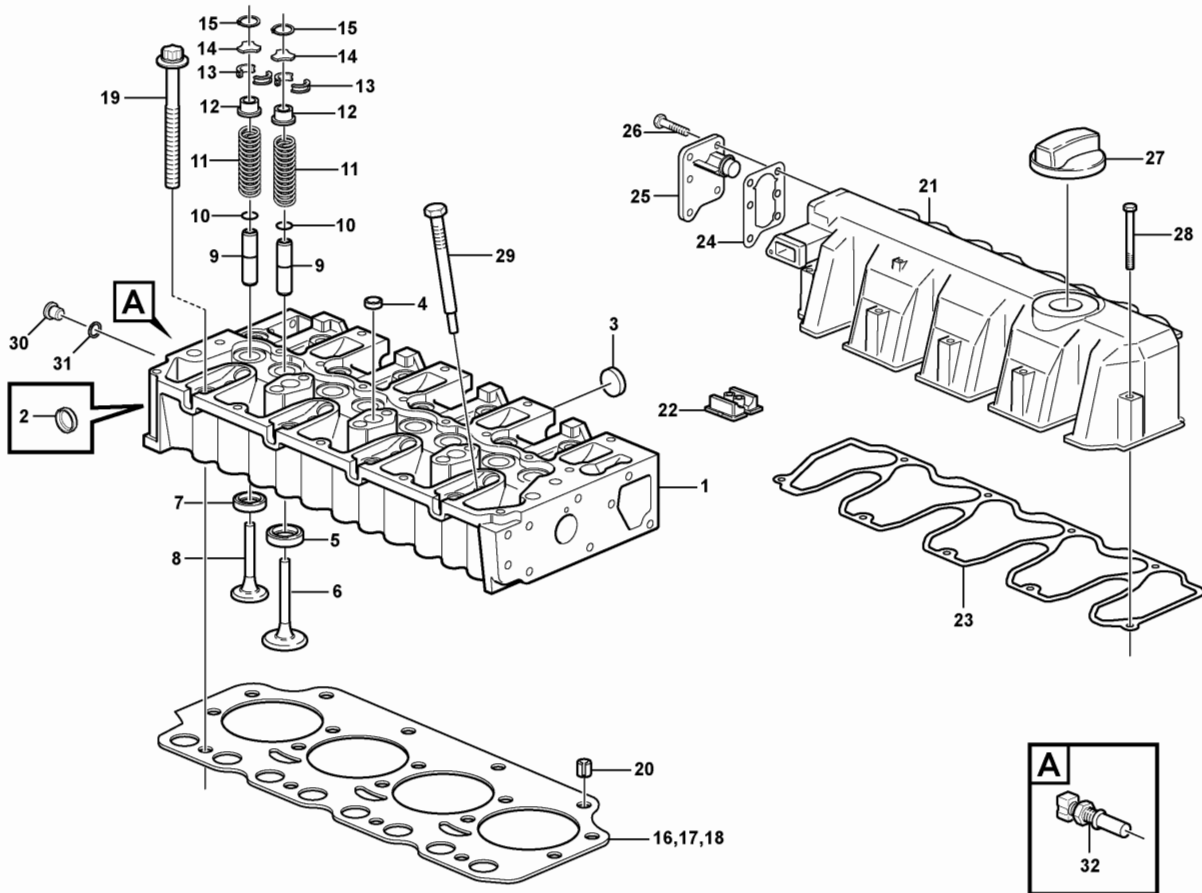
Full Download: <https://www.arepairmanual.com/downloads/volvo-ec210f-l3-excavators-part-manual/>

11	1								•Oil filter	See ref 222/100
12	1								•Oil cooler	See ref 223/100
13	1								•Fuel pump	See ref 233/200
14	1								•Fuel Filter Housing	See ref 233/200
15	1								•Fuel Filter	See ref 233/200
16	1								•Rail	See ref 237/100
17	1								•Regulator	See ref 237/100
18	2								•Pump Unit	See ref 237/100
19	4								•Injector	See ref 237/100
20	1								•Inlet Manifold	See ref 251/100
21	1								•Exhaust pipe	See ref 251/100
22	1								•Turbocharger	See ref 255/100
23	1								•Coolant Pump	See ref 262/100
24	1								•Belt Xmsn	See ref 263/100
25	1								•Alternator	See ref 321/100
26	1								•Starter motor	See ref 331/100
27	1								•Pre-heater	See ref 333/100
28	1								•Cable harness	See ref 286/100

Sample of manual. Download All 589 pages at:

<https://www.arepairmanual.com/downloads/volvo-ec210f-l3-excavators-part-manual/>

Date: 10/24/2025	Image id: 1087187	Catalogue: 20991	Model: EC210F 3
Brand:	Serial: 110001-, 130001-, 140001-	Group/Section: 211/100	Title: Cylinder head with fitting parts 17387726



Volvo Construction
Equipment
1087187

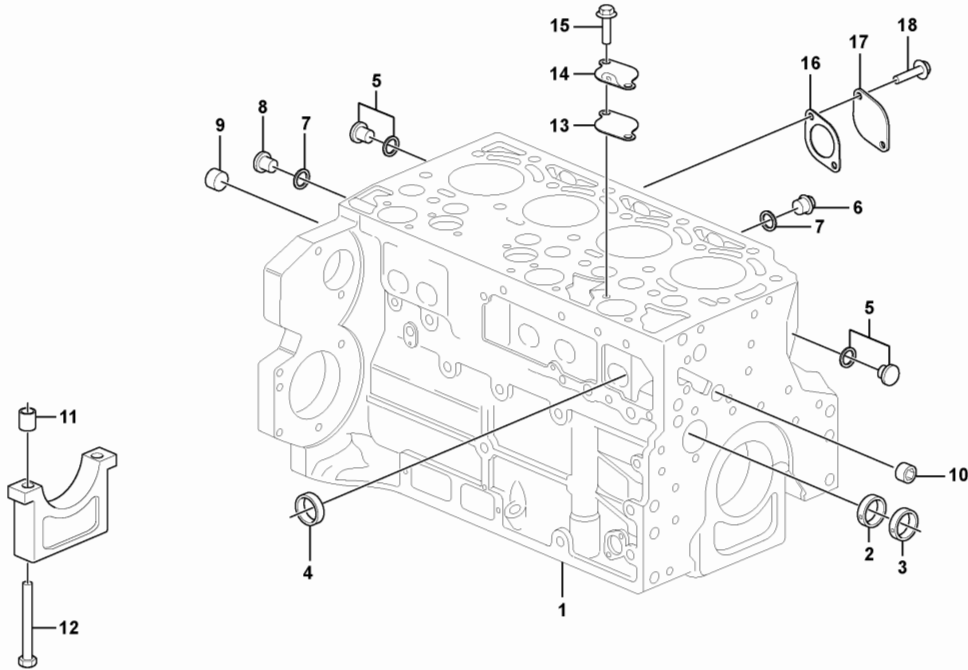
Section option	Kit	Option description
VOE17387726		Engine D5 TIER3

Pos	Part	Q1	Q2	Q3	Q4	Q5	PS	Kit	Description	Option(s)	Remark
1	VOE23095544	1							Cylinder head		REMAN VOE9023095544
2	VOE20914266	3							•Core Plug		
3	VOE20799722	3							•Plug		
4	VOE20412733	3							•Core plug		
5	VOE20459962	4							•Valve seat		
6	VOE21896344	4							•Valve		
7	VOE20845144	4							•Valve seat		
8	VOE21739130	4							•Exhaust valve		
9	VOE23935512	8							•Valve guide		See footnote 4914)
10	VOE11700348	8							•O-ring		
11	VOE11700347	8							•Valve spring		
12	VOE20847155	8							•Retainer		

13	VOE24003284	16							•Collet		
14	VOE20840807	8							•Thrust washer		
15	VOE20840772	8							•Lock ring		
16		1					NS		Cyl Head Gasket		THICK = 1.4 MM
17	VOE20970720	1							Cylinder head gasket		THICK = 1.5 MM
18	VOE20970725	1							Cylinder head gasket		THICK = 1.6 MM
19	VOE11700334	18							Screw		
20	VOE20405521	2							Guide pin		
21	VOE24349153	1							Valve cover		
22	VOE20412600	1							•Cap		
23	VOE24349310	1							•Seal		
24	VOE20840801	1							•Gasket		
25	VOE20933359	1							•Oil Separator		
26	VOE20797542	6							•Hexagon screw		
27	VOE20412589	1							Filler cap		
28	VOE22278501	9							Hexagon screw		
29	VOE21455743	1							Plug		
30	VOE20450683	1							Adapter		
31	VOE13947628	1							Plane gasket		
32		1							Temp. Sensor		See ref 284/200

4914) The final machining of the valve guides needs to be performed in combination with the related cylinder head and valves.

Date: 10/24/2025	Image id: 1115301	Catalogue: 20991	Model: EC210F 3
Brand:	Serial: 110001-, 130001-, 140001-	Group/Section: 212/100	Title: Cylinder block 17387726

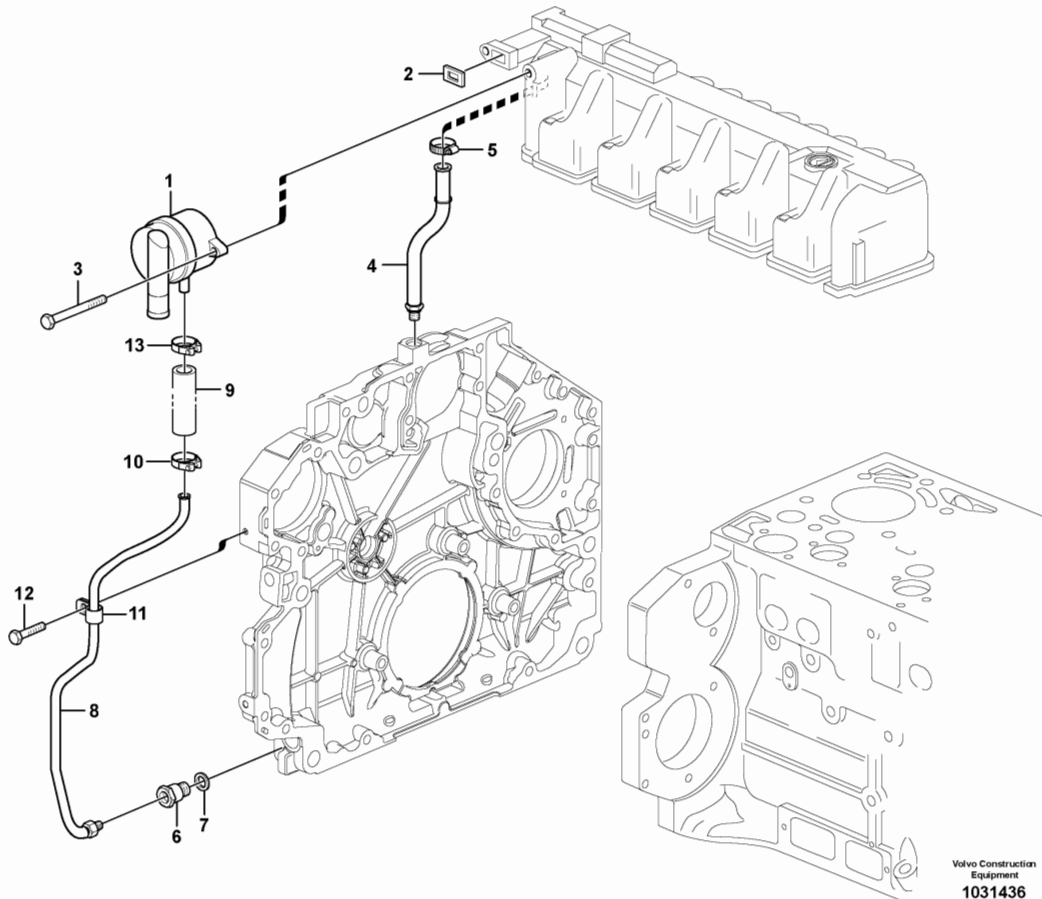


Volvo Construction
Equipment
1115301

Section option	Kit	Option description
VOE17387726		Engine D5 TIER3

Pos	Part	Q1	Q2	Q3	Q4	Q5	PS	Kit	Description	Option(s)	Remark
1	VOE21025096	1							Crankcase		
2	VOE11700285	1							•Bearing bushing		
3	VOE11700284	4							•Bearing bushing		
4	VOE20405721	6							•Core plug		
5	VOE24131681	2							•Hollow screw		
5	VOE60114081	1							••Plug		
5	VOE993677	1							••Gasket		
6	VOE60112839	2							•Plug		
7	VOE13969011	3							•Gasket		
8	VOE945065	1							•Plug		
9	VOE20785813	1							•Plug		
10	VOE20405719	1							•Plug		

Date: 10/24/2025	Image id: 1031436	Catalogue: 20991	Model: EC210F 3
Brand:	Serial: 110001-, 130001-, 140001-	Group/Section: 212/200	Title: Crankcase ventilation 17387726



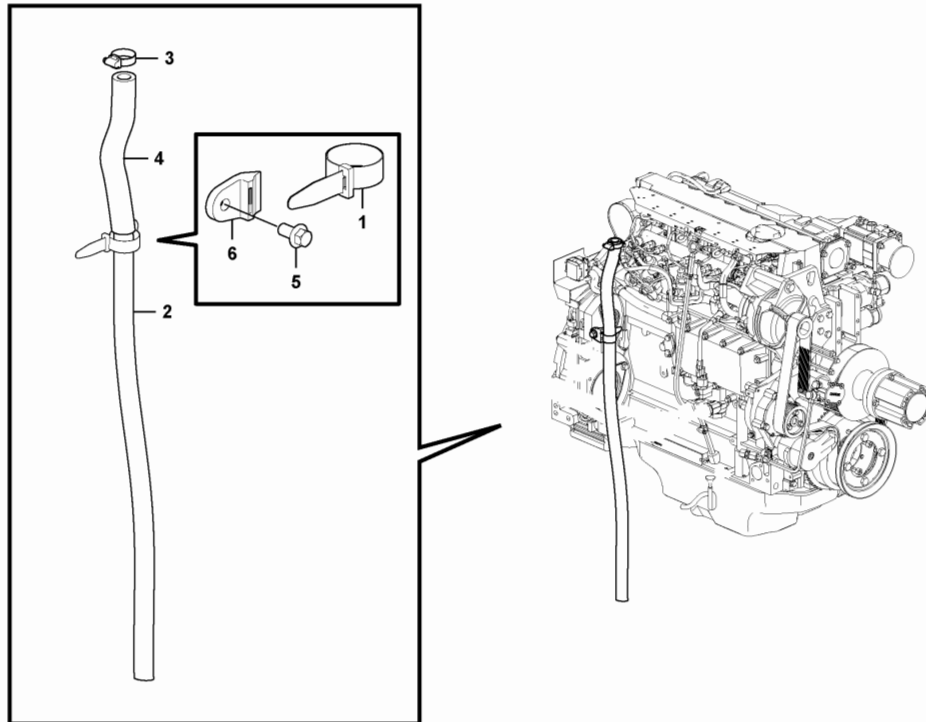
Volvo Construction
Equipment
1031436

Section option	Kit	Option description
VOE17387726		Engine D5 TIER3

Pos	Part	Q1	Q2	Q3	Q4	Q5	PS	Kit	Description	Option(s)	Remark
1	VOE20930510	1							Oil separator		
2	VOE21038626	1							•Plane gasket		
3	VOE20405504	2							Screw		
4	VOE20971646	1							Oil return pipe		
5	VOE20799673	1							Hose clamp		
6	VOE21496705	1							Drain valve		
7	VOE20460026	1							Sealing ring		
8	VOE22253988	1							Oil line		
9	VOE20971632	1							•Rubber hose		
10	VOE20971607	1							•Hose clamp		
11	VOE20798831	1							•Attaching clamp		
12	VOE20405729	1							Screw		

13	VOE20971607	1							Hose clamp		
----	-------------	---	--	--	--	--	--	--	------------	--	--

Date: 10/24/2025	Image id: 1110234	Catalogue: 20991	Model: EC210F 3
Brand:	Serial: 110001-, 130001-, 140001-	Group/Section: 212/300	Title: Crankcase ventilation 53901337

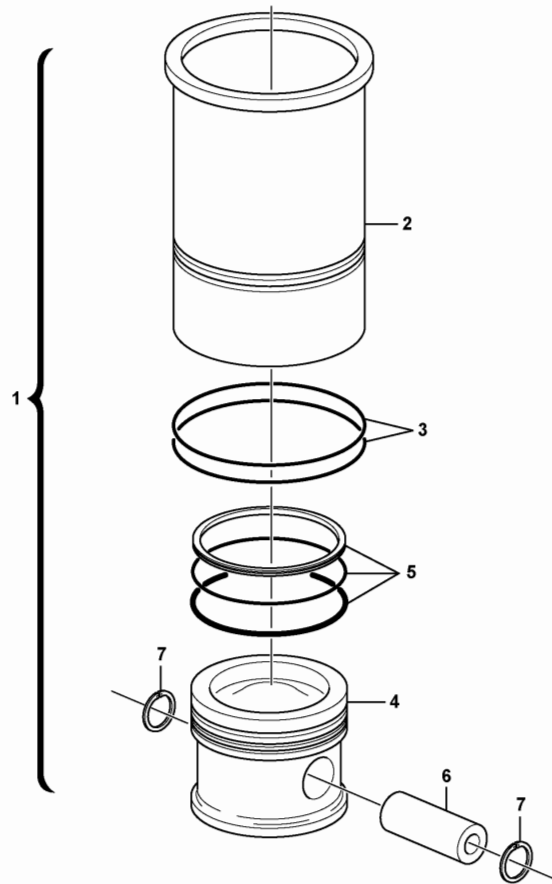


Volvo Construction
Equipment
1110234

Section option	Kit	Option description
VOE53901337		Engine Installation FOR TIER3

Pos	Part	Q1	Q2	Q3	Q4	Q5	PS	Kit	Description	Option(s)	Remark
1	VOE14558809	1							Strip clamp		
2	VOE14723972	1							Hose		
3	VOE943475	1							Hose clamp		
4	SA9443-30605	1					CS		Hose protection		
5	VOE984753	1							Flange screw		
6	VOE14558808	1							Strip clamp		

Date: 10/24/2025	Image id: 1026946	Catalogue: 20991	Model: EC210F 3
Brand:	Serial: 110001-, 130001-, 140001-	Group/Section: 213/100	Title: Cylinder liner and piston 17387726

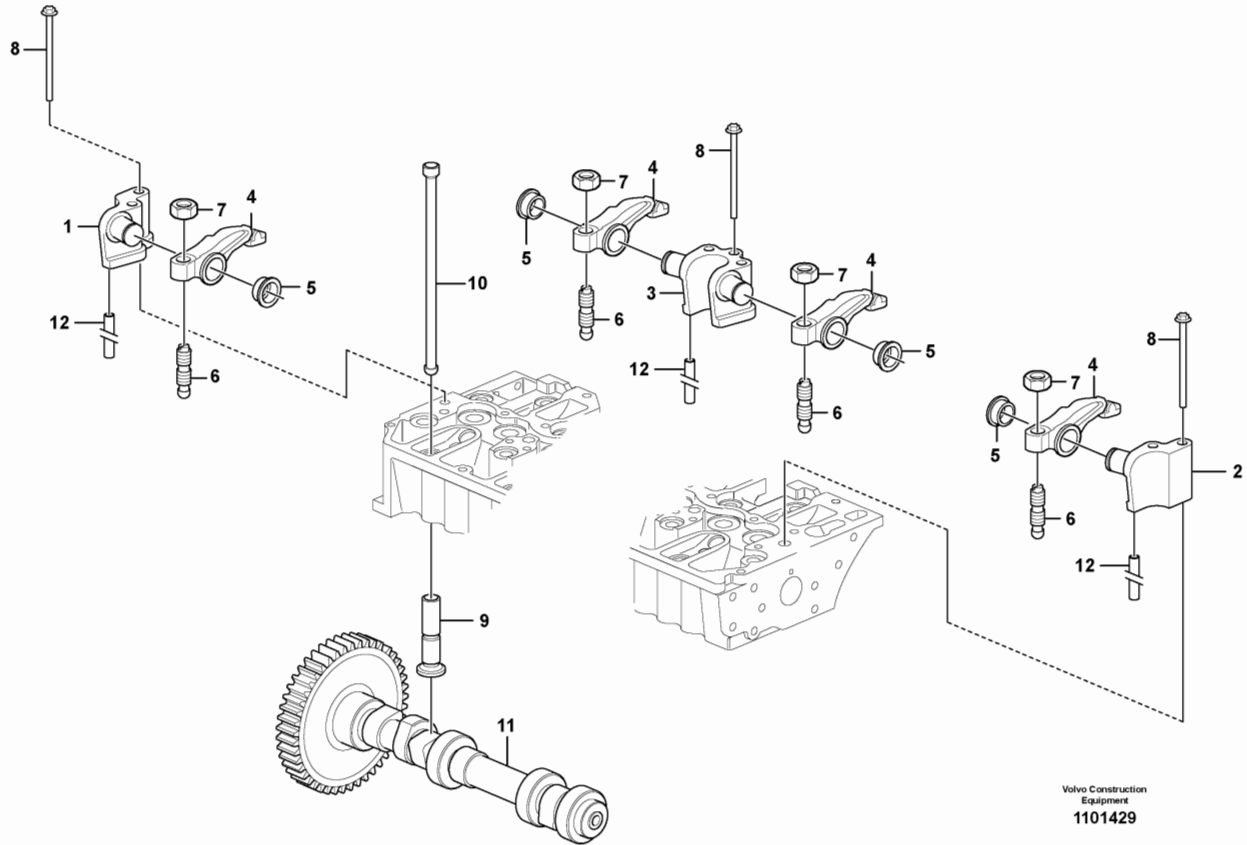


Volvo Construction
Equipment
1026946

Section option	Kit	Option description
VOE17387726		Engine D5 TIER3

Pos	Part	Q1	Q2	Q3	Q4	Q5	PS	Kit	Description	Option(s)	Remark
1	VOE20865990	4							Cyl Liner Kit		
2		4					NS		•Cylinder Liner		
3	VOE20412762	8							•O-ring		
4		4					NS		•Piston		
5	VOE21299547	4							•Piston ring kit		
6	VOE20405577	4							•Gudgeon pin		
7	VOE20405576	8							•Snap ring		

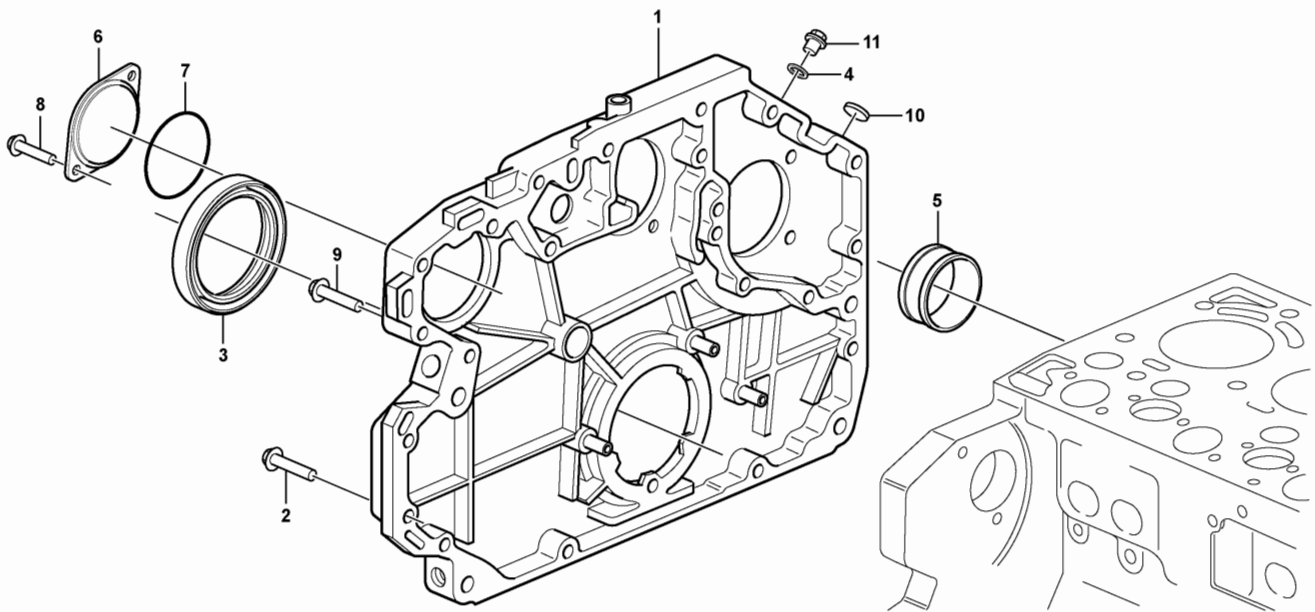
Date: 10/24/2025	Image id: 1101429	Catalogue: 20991	Model: EC210F 3
Brand:	Serial: 110001-, 130001-, 140001-	Group/Section: 214/100	Title: Valve mechanism 17387726



Section option	Kit	Option description
VOE17387726		Engine D5 TIER3

Pos	Part	Q1	Q2	Q3	Q4	Q5	PS	Kit	Description	Option(s)	Remark
1	VOE23935622	1							Bracket		
2	VOE23101955	1							Bracket		
3	VOE23102364	3							Bracket		
4	VOE24642302	8							Rocker arm		
5	VOE20794115	8							Retaining ring		
6	VOE20913851	8							Adjusting Screw		
7	VOE11700373	8							Nut		
8	VOE20405723	10							Screw		
9	VOE11700366	8							Tappet		
10	VOE21456429	8							Push rod		
11	VOE22380215	1							Camshaft		
12	VOE20790837	5							Pin		

Date: 10/24/2025	Image id: 1081146	Catalogue: 20991	Model: EC210F 3
Brand:	Serial: 110001-, 130001-, 140001-	Group/Section: 215/100	Title: Timing gear casing 17387726

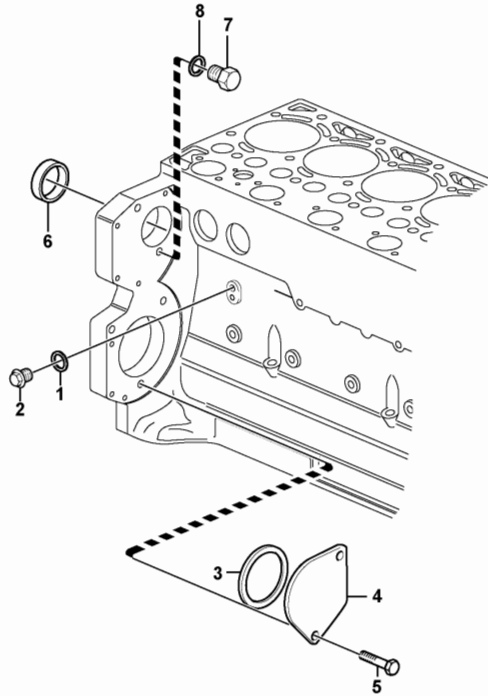


Volvo Construction
Equipment
1081146

Section option	Kit	Option description
VOE17387726		Engine D5 TIER3

Pos	Part	Q1	Q2	Q3	Q4	Q5	PS	Kit	Description	Option(s)	Remark
1	VOE23378541	1							Flywheel housing		
2	VOE996777	12							Flange screw		
3	VOE21306356	1							Lip seal		
4	VOE21108673	1							Sealing ring		
5	VOE20794126	1							Bushing		
6	VOE22610639	1							Cover		
7	VOE20405652	1							O-ring		
8	VOE20405709	2							Screw		
9	VOE20405709	1							Screw		
10	VOE20405605	1							Cover		
11	VOE20451012	1							Screw		

Date: 10/24/2025	Image id: 1031450	Catalogue: 20991	Model: EC210F 3
Brand:	Serial: 110001-, 130001-, 140001-	Group/Section: 215/200	Title: Pump drive power take-off 17387726

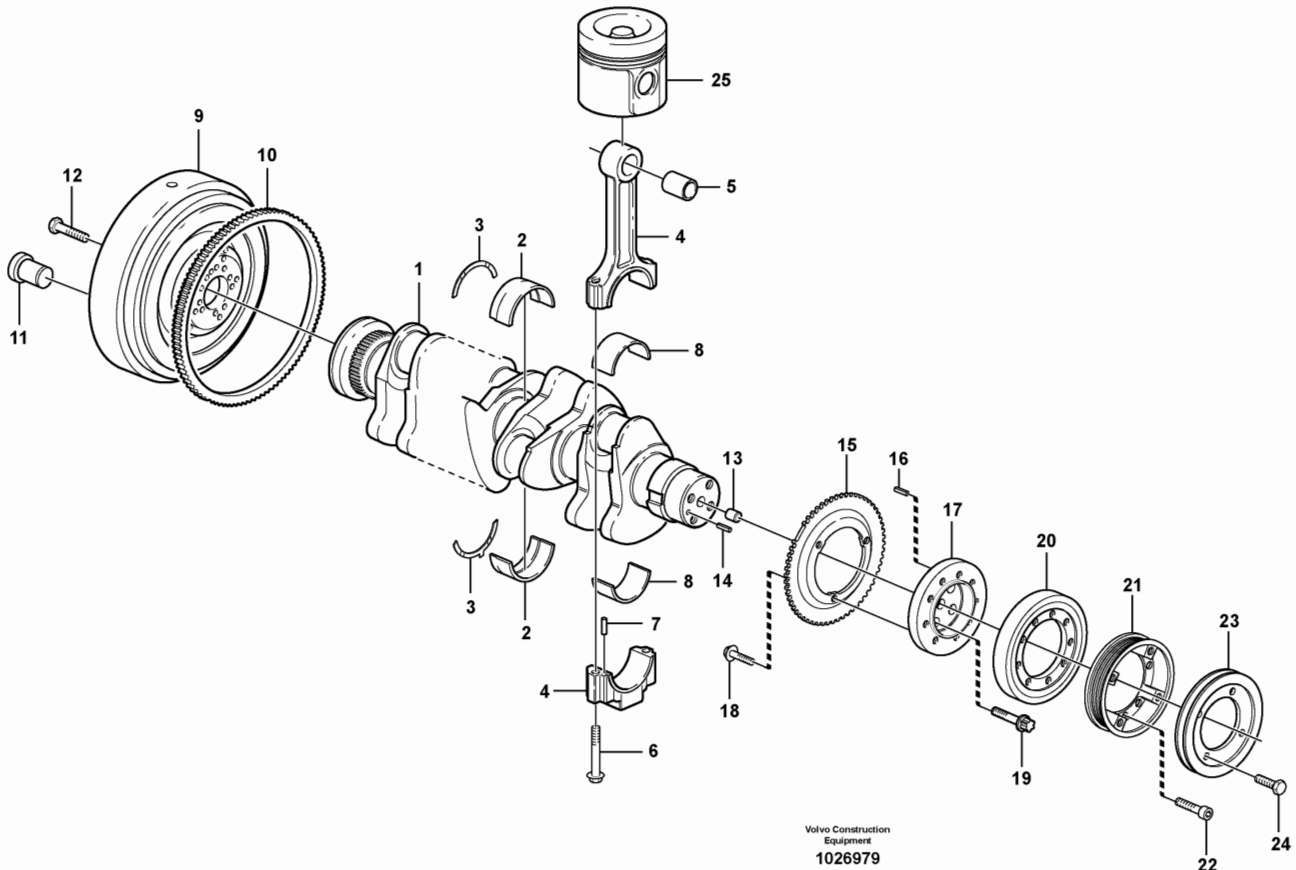


Volvo Construction
Equipment
1031450

Section option	Kit	Option description
VOE17387726		Engine D5 TIER3

Pos	Part	Q1	Q2	Q3	Q4	Q5	PS	Kit	Description	Option(s)	Remark
1	VOE993677	1							Gasket		
2	VOE60112839	1							Plug		
3	VOE20412359	1							O-ring		
4	VOE22740676	1							Cover		
5	VOE60113409	2							Flange screw		
6	VOE20450778	1							Core plug		
7	VOE20441859	1							Plug		
8	VOE13947281	1							Gasket		

Date: 10/24/2025	Image id: 1026979	Catalogue: 20991	Model: EC210F 3
Brand:	Serial: 110001-, 130001-, 140001-	Group/Section: 216/100	Title: Crankshaft and related parts 17387726

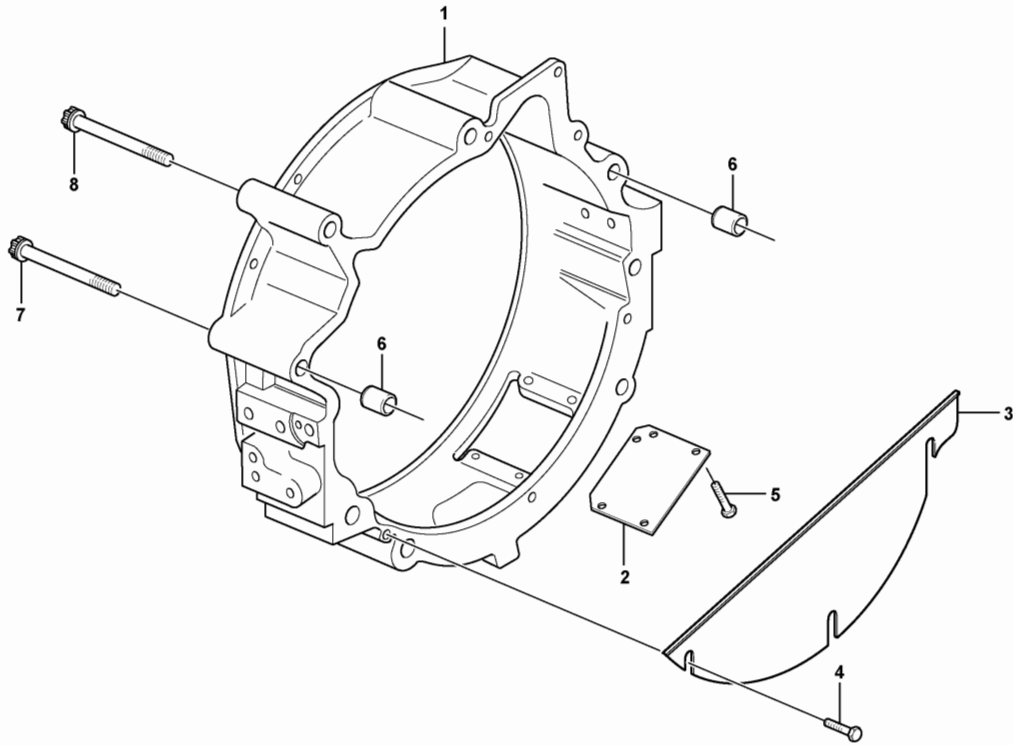


Section option	Kit	Option description
VOE17387726		Engine D5 TIER3

Pos	Part	Q1	Q2	Q3	Q4	Q5	PS	Kit	Description	Option(s)	Remark
1	VOE21264836	1							Crankshaft		REMAN VOE9021264836
2	VOE21141948	5							Main bearing		STD SZ = 85.00 MM
2	VOE21234191	5							Main bearing		U SZ = 84.75 MM
2	VOE20405541	5							Main bearing		U SZ = 84.50 MM
3	VOE21141955	2							Thrust washer		STD SZ = 2.9 MM
3	VOE21141963	2							Thrust washer		O SZ = 3.1 MM
4	VOE22957342	4							Connecting rod		
5	VOE11700325	4							•Bushing		
6	VOE11700326	8							•Bolt		
7	VOE20459134	8							•Pin		
8	VOE20766790	1							Big-end Bearing		STD SZ = 68.00 MM
8	VOE20790423	1							Big-end Bearing		U SZ = 67.75 MM

8	VOE20790428	1							Big-end Bearing		U SZ = 67.50 MM
9	VOE20524696	1							Flywheel		
10	VOE22003479	1							•Starter gear ring		
11	VOE20405643	1							Plug		
12	VOE20450835	10							Screw		
13	VOE20405634	1							Spring pin		
14	VOE20450628	1							Pin		
15	VOE20972333	1							Lock washer		
16	VOE20450838	1							Pin		
17	VOE21025184	1							Flange		
18	VOE975108	3							Flange screw		
19	VOE20405724	4							Screw		
20	VOE20459925	1							Vibration absorber		
21	VOE20799122	1							V-belt pulley		
22	VOE21025208	6							Hex. socket screw		
23	VOE20459155	1							Pulley		
24	VOE996781	4							Hexagon screw		
25		1							Piston		See ref 213/100

Date: 10/24/2025	Image id: 1027113	Catalogue: 20991	Model: EC210F 3
Brand:	Serial: 110001-, 130001-, 140001-	Group/Section: 216/200	Title: Flywheel housing 17387726

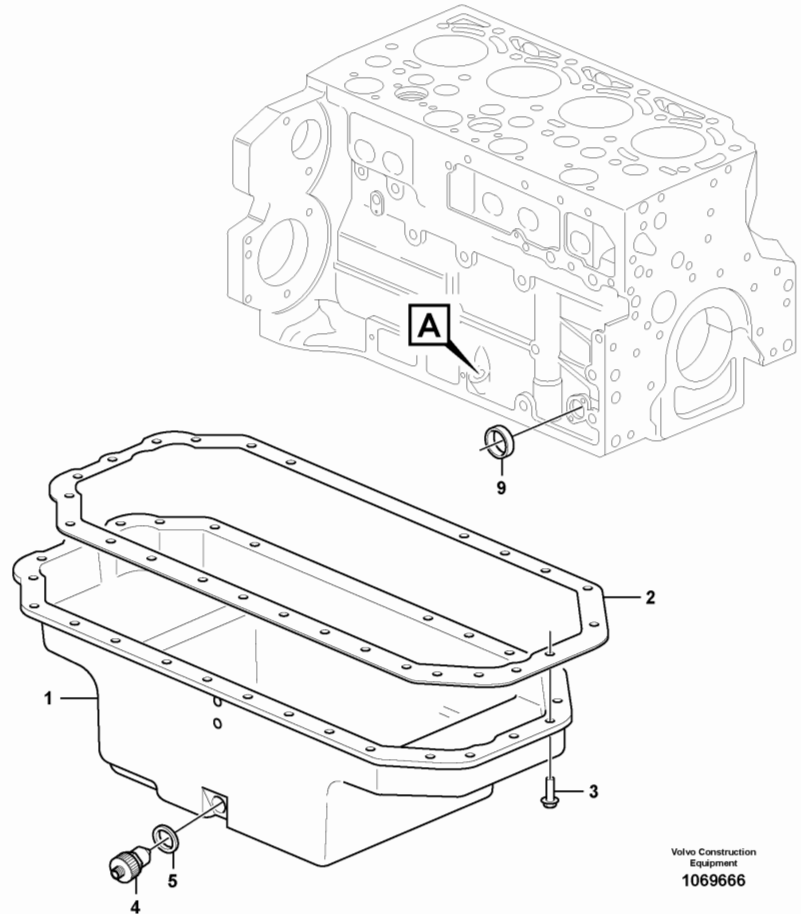
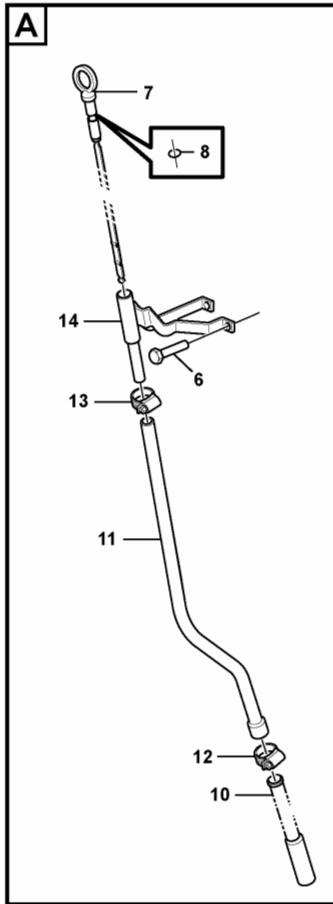


Volvo Construction
Equipment
1027113

Section option	Kit	Option description
VOE17387726		Engine D5 TIER3

Pos	Part	Q1	Q2	Q3	Q4	Q5	PS	Kit	Description	Option(s)	Remark
1	VOE21044436	1							Flywheel housing		
2	VOE20547288	1							•Cover Plate		
3	VOE20459989	1							•Cover		
4	VOE20405729	3							•Screw		
5	VOE20405729	4							•Screw		
6	VOE20405887	2							Bushing		
7	VOE20405714	2							Screw		
8	VOE20405715	4							Screw		

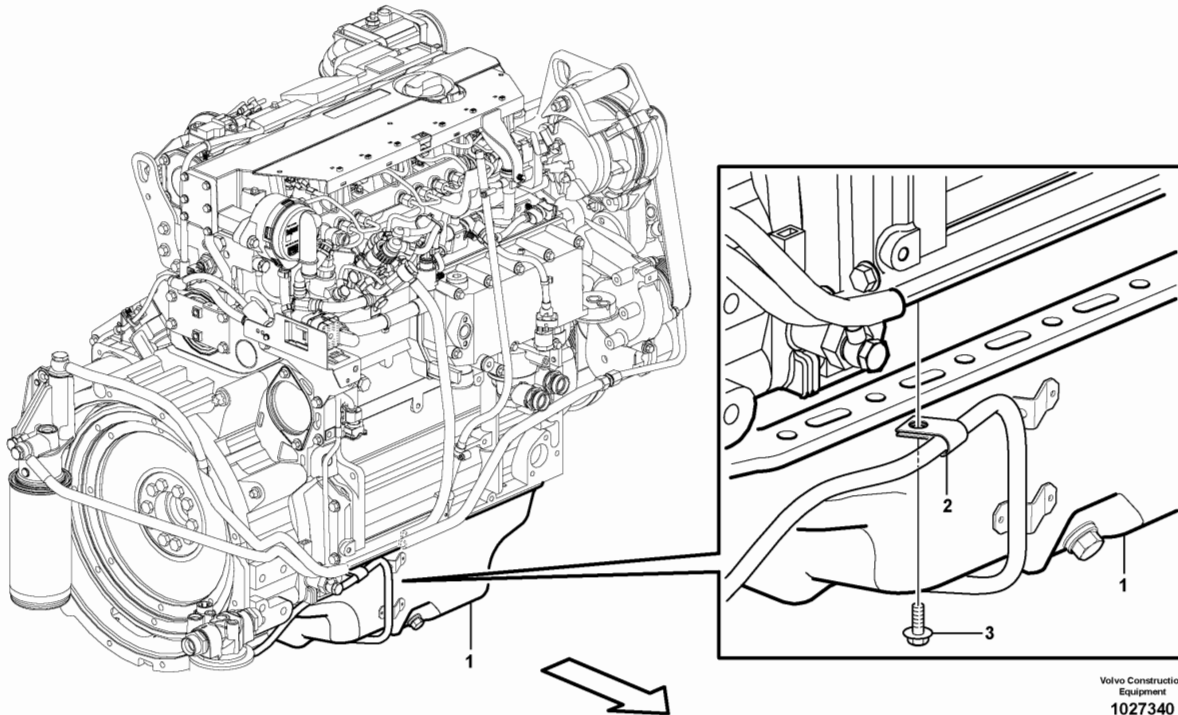
Date: 10/24/2025	Image id: 1069666	Catalogue: 20991	Model: EC210F 3
Brand:	Serial: 110001-, 130001-, 140001-	Group/Section: 217/100	Title: Oil sump 17387726



Section option	Kit	Option description
VOE17387726		Engine D5 TIER3

Pos	Part	Q1	Q2	Q3	Q4	Q5	PS	Kit	Description	Option(s)	Remark
1	VOE23849265	1							Oil pan		
2	VOE20405843	1							Gasket		
3	VOE20405792	26							Screw		
4	VOE22879098	1							Drain valve		
5	VOE993679	1							Gasket		
6	VOE20405792	2							Screw		
7	VOE21584977	1							Oil dipstick		
8	VOE20460218	1							•O-ring		
9	VOE20412745	1							Core plug		
10	VOE20450869	1							Guide tube		
11	VOE20460212	1							Guide tube		
12	VOE20405568	1							Clip		

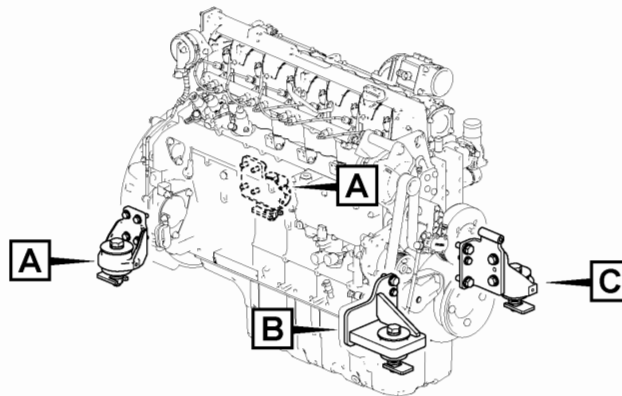
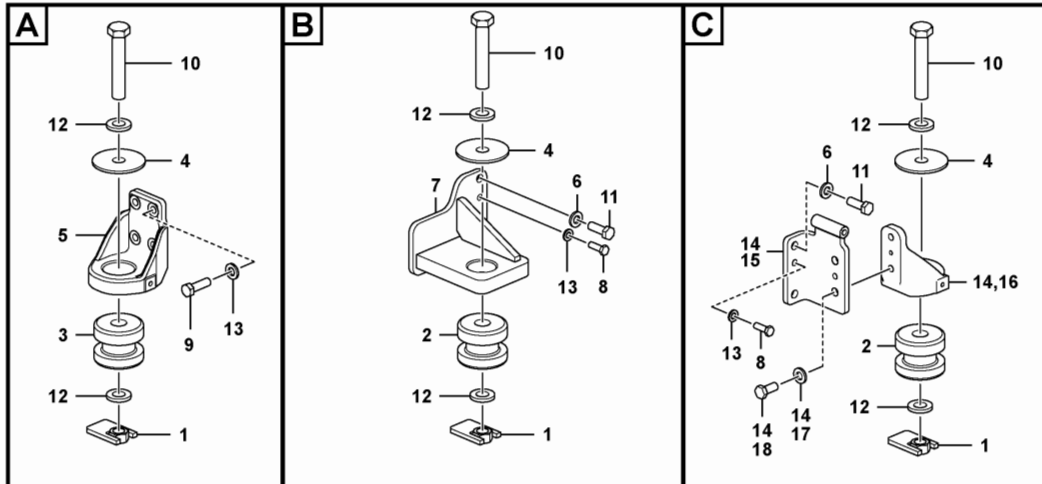
Date: 10/24/2025	Image id: 1027340	Catalogue: 20991	Model: EC210F 3
Brand:	Serial: 110001-, 130001-, 140001-	Group/Section: 217/200	Title: Oil sump 17387726



Section option	Kit	Option description
VOE17387726		Engine D5 TIER3

Pos	Part	Q1	Q2	Q3	Q4	Q5	PS	Kit	Description	Option(s)	Remark
1		1							Oil Pan		See ref 217/100
2	VOE978869	1							Clamp		
3	VOE60113106	1							Flange screw		

Date: 10/24/2025	Image id: 1128925	Catalogue: 20991	Model: EC210F 3
Brand:	Serial: 110001-, 130001-, 140001-	Group/Section: 218/100	Title: Engine mounting 53925010



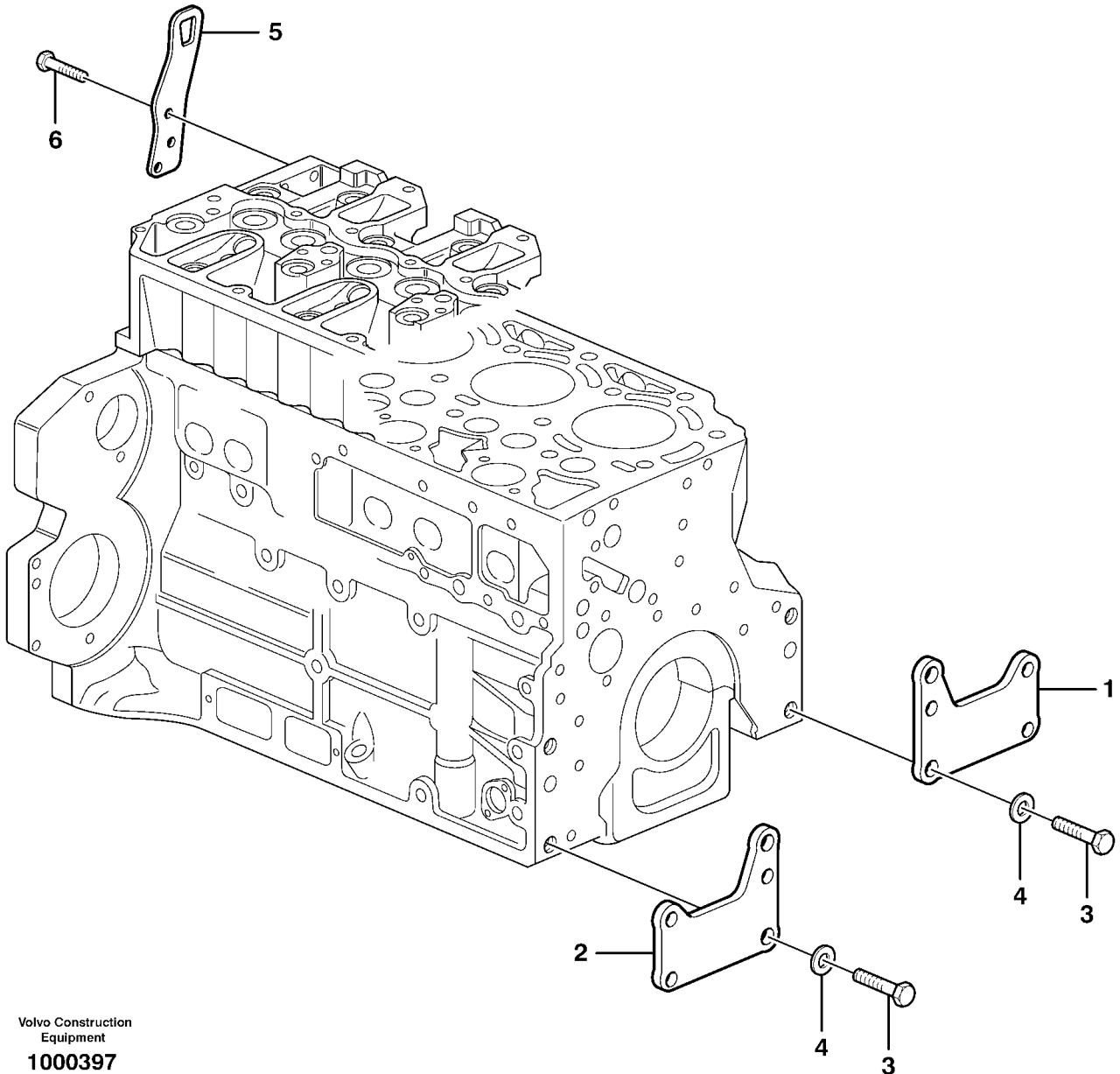
Volvo Construction
Equipment
1128925

Section option	Kit	Option description
VOE53925010		Sub Basic Machine EC210F

Pos	Part	Q1	Q2	Q3	Q4	Q5	PS	Kit	Description	Option(s)	Remark
1	VOE14728253	4							Nut		
2	VOE14725571	2							Cushion		
3	VOE14528380	2							Cushion		
4	VOE14526169	4							Plate		
5	VOE14578737	2							Bracket		
6	VOE60110299	4							Washer		
7	VOE14704238	1							Engine bracket		
8	VOE997953	2							Hexagon screw		
9	VOE997447	8							Hexagon screw		
10	VOE60110015	4							Hexagon screw		
11	VOE60110032	4							Hexagon screw		
12	VOE60110289	8							Washer		

13	VOE60110297	10							Washer		
14	VOE14729262	1							Bracket		
15		1					NS		•Bracket		
16	VOE14572876	1							•Bracket		
17	VOE60110299	2							•Washer		
18	VOE997459	2							•Hexagon screw		

Date: 10/24/2025	Image id: 1000397	Catalogue: 20991	Model: EC210F 3
Brand:	Serial: 110001-, 130001-, 140001-	Group/Section: 218/200	Title: Engine mounting 17387726

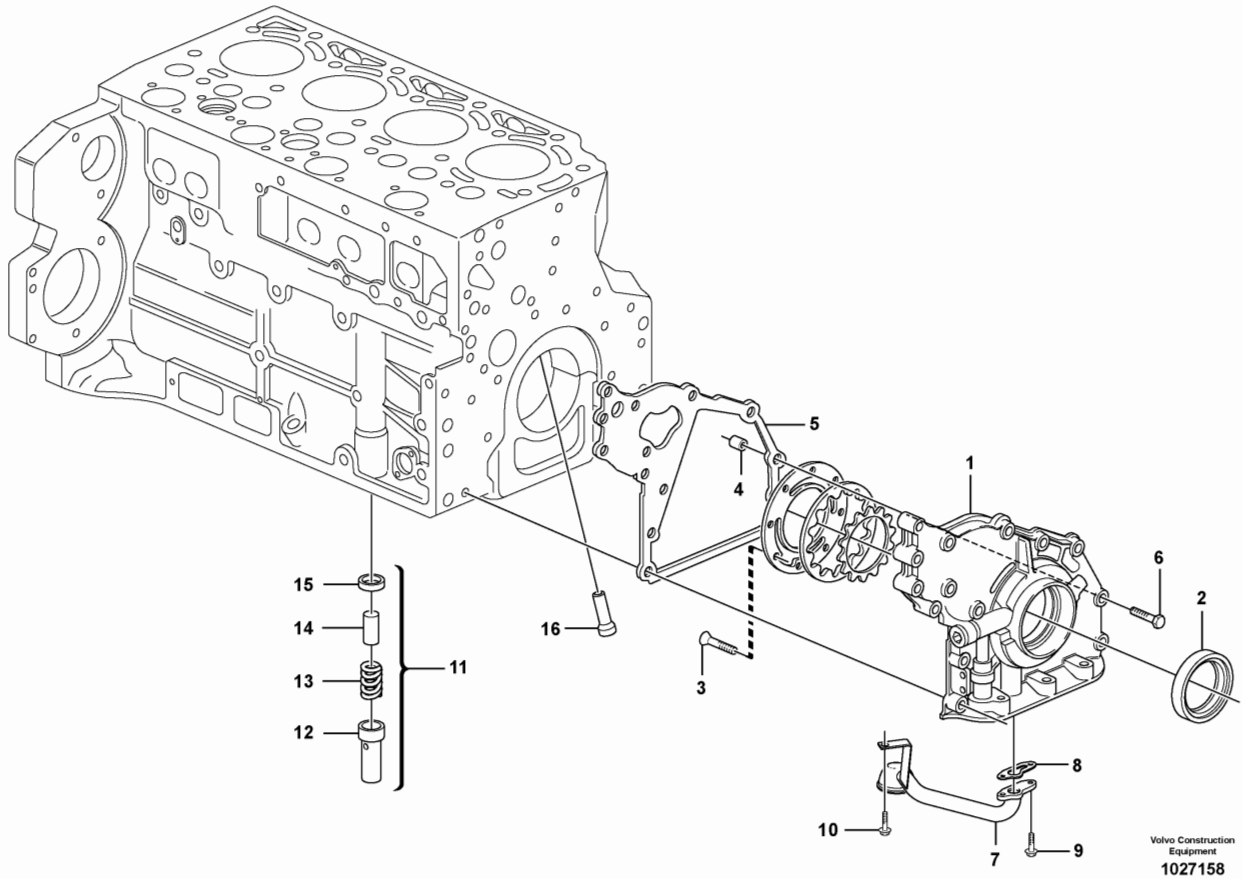


Section option	Kit	Option description
VOE17387726		Engine D5 TIER3

Pos	Part	Q1	Q2	Q3	Q4	Q5	PS	Kit	Description	Option(s)	Remark
1	VOE20723978	1							Bracket		
2	VOE20723984	1							Bracket		
3	VOE20535027	4							Screw		
4	VOE997824	4							Washer		
5	VOE20450854	2							Lifting eye		

6	VOE996813	6						Flange screw		
---	-----------	---	--	--	--	--	--	--------------	--	--

Date: 10/24/2025	Image id: 1027158	Catalogue: 20991	Model: EC210F 3
Brand:	Serial: 110001-, 130001-, 140001-	Group/Section: 221/100	Title: Lubricating oil system 17387726



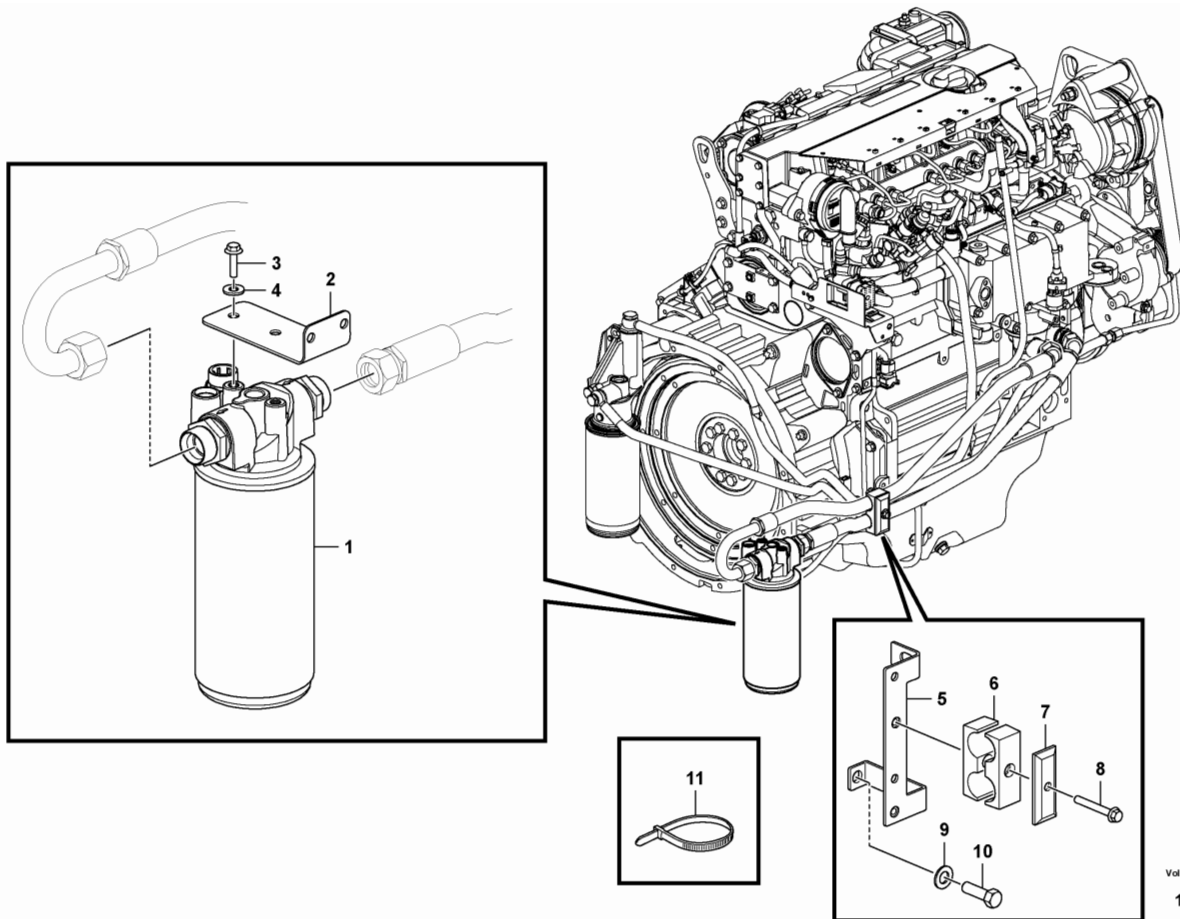
Section option	Kit	Option description
VOE17387726		Engine D5 TIER3

Pos	Part	Q1	Q2	Q3	Q4	Q5	PS	Kit	Description	Option(s)	Remark
1	VOE23171014	1							Front Cover		
2	VOE21306362	1							•Lip seal		
3	VOE20451738	8							Screw		
4	VOE20405603	1							Spring pin		
5	VOE21679835	1							Gasket		
6	VOE996777	14							Flange screw		
7	VOE22421336	1							Suction pipe		
8	VOE20405888	1							Gasket		
9	VOE60113399	2							Flange screw		
10	VOE20405792	1							Screw		
11	VOE11700271	1							Delivery valve		
12	VOE20405937	1							•Sleeve		
13	VOE20405896	1							•Compression		

spring

14	VOE20405936	1					CS	•Valve		
15	VOE20405904	1						•Ring		
16	VOE20405561	4						Piston		

Date: 10/24/2025	Image id: 1128786	Catalogue: 20991	Model: EC210F 3
Brand:	Serial: 110001-, 130001-, 140001-	Group/Section: 221/200	Title: Lubricating oil system 17387726

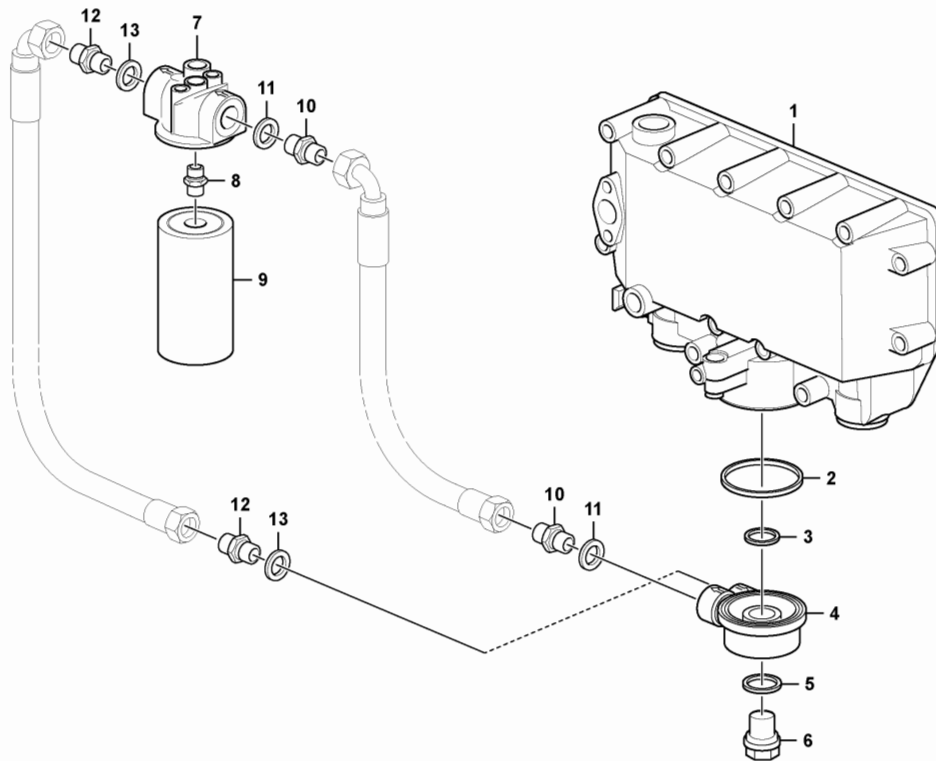


Volvo Construction
Equipment
1128786

Section option	Kit	Option description
VOE17387726		Engine D5 TIER3

Pos	Part	Q1	Q2	Q3	Q4	Q5	PS	Kit	Description	Option(s)	Remark
1		1							Oil Filter		See ref 222/200
2	VOE14536940	1							Bracket		
3	VOE984752	4							Flange screw		
4	VOE994849	4							Washer		
5		1					NS		Bracket		
6	VOE16843967	1							Clamp		
7	ZM2801130	1							Plate		
8	VOE984740	1							Flange screw		
9	VOE60110353	1							Plain washer		
10	VOE997874	1							Hex. socket screw		
11	VOE4881440	REQ							Cable tie		

Date: 10/24/2025	Image id: 1128789	Catalogue: 20991	Model: EC210F 3
Brand:	Serial: 110001-, 130001-, 140001-	Group/Section: 222/100	Title: Oil filter 17387726

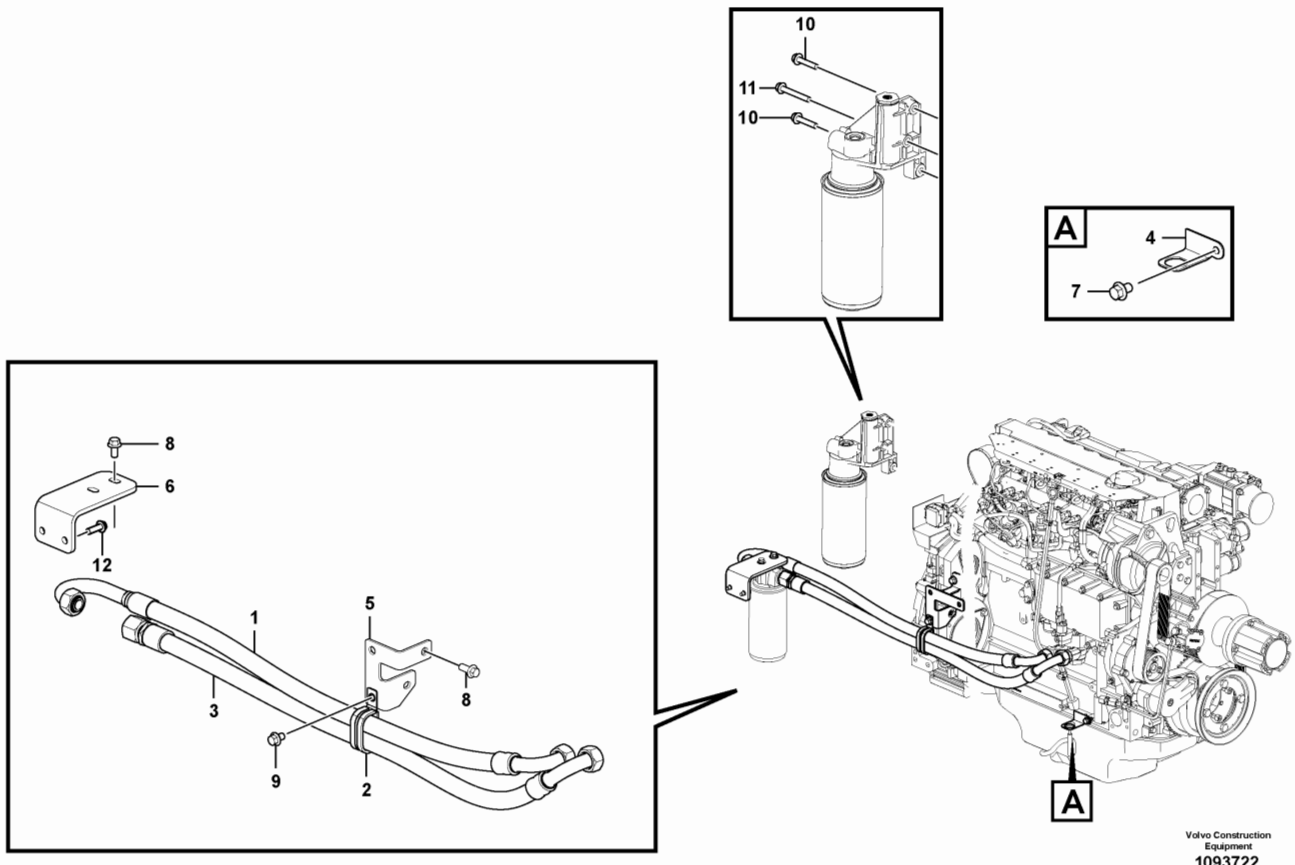


Volvo Construction
Equipment
1128789

Section option	Kit	Option description
VOE17387726		Engine D5 TIER3

Pos	Part	Q1	Q2	Q3	Q4	Q5	PS	Kit	Description	Option(s)	Remark
1		1							Housing		See ref 223/100
2	VOE20450992	1							Sealing ring		
3	VOE20405578	1							Sealing ring		
4	VOE24109158	1							Adapter		
5	VOE20450993	1							Sealing ring		
6	VOE22276683	1							Hollow Screw		
7	VOE22236685	1							Filter		
8	VOE20459201	1							•Nipple		
9	VOE17535679	1							Oil filter		PERFORMANCE
9	VOE17535046	1							Oil filter		HIGH PERF
10	VOE23701972	2							Electric socket		
11	VOE993407	2							Gasket		

Date: 10/24/2025	Image id: 1110230	Catalogue: 20991	Model: EC210F 3
Brand:	Serial: 110001-, 130001-, 140001-	Group/Section: 222/200	Title: Oil filter with fitting parts 53901337

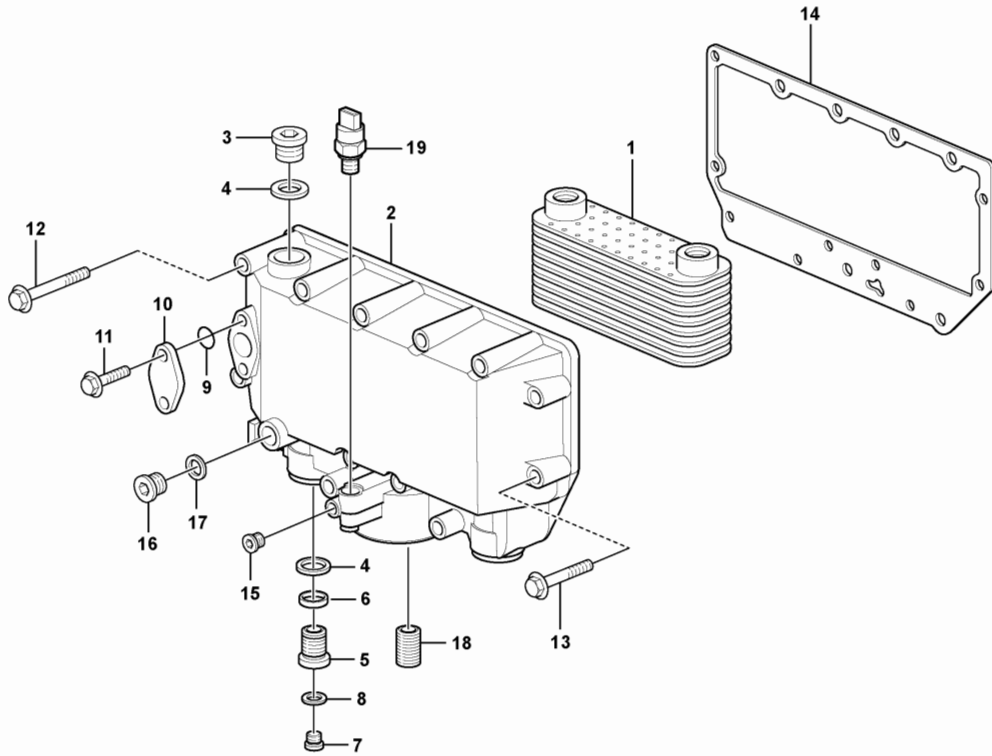


Volvo Construction
Equipment
1093722

Section option	Kit	Option description
VOE53901337		Engine Installation FOR TIER3

Pos	Part	Q1	Q2	Q3	Q4	Q5	PS	Kit	Description	Option(s)	Remark
1	VOE14775039	1							Hose assembly		
2	VOE14507451	1							Clip		
3	VOE14775038	1							Hose assembly		
4		1					NS		Bracket		
5		1					NS		Bracket		
6		1					NS		Plate		
7	VOE984735	1							Flange screw		
8	VOE984753	4							Flange screw		
9	VOE984751	1							Flange screw		
10	VOE984738	2							Flange screw		
11	VOE984740	1							Flange screw		
12	VOE984752	2							Flange screw		

Date: 10/24/2025	Image id: 1067818	Catalogue: 20991	Model: EC210F 3
Brand:	Serial: 110001-, 130001-, 140001-	Group/Section: 223/100	Title: Oil cooler 17387726



Volvo Construction
Equipment
1067818

Section option	Kit	Option description
VOE17387726		Engine D5 TIER3

Pos	Part	Q1	Q2	Q3	Q4	Q5	PS	Kit	Description	Option(s)	Remark
1	VOE20715679	1							Oil cooler		
2	VOE23124230	1							Oil cooler		
3	VOE60112458	1							Plug		
4	VOE13947628	2							Plane gasket		
5	VOE20405752	1							Screw		
6	VOE20405569	1							•Seal		
7	VOE60114058	1							Plug		
8	VOE20405578	1							Sealing ring		
9	VOE20405599	1							Sealing ring		
10	VOE21072778	1							Flange		
11	VOE20405792	2							Screw		
12	VOE996812	10							Flange screw		

Sample of manual. Download All 589 pages at:

<https://www.arepairmanual.com/downloads/volvo-ec210f-l3-excavators-part-manual/>