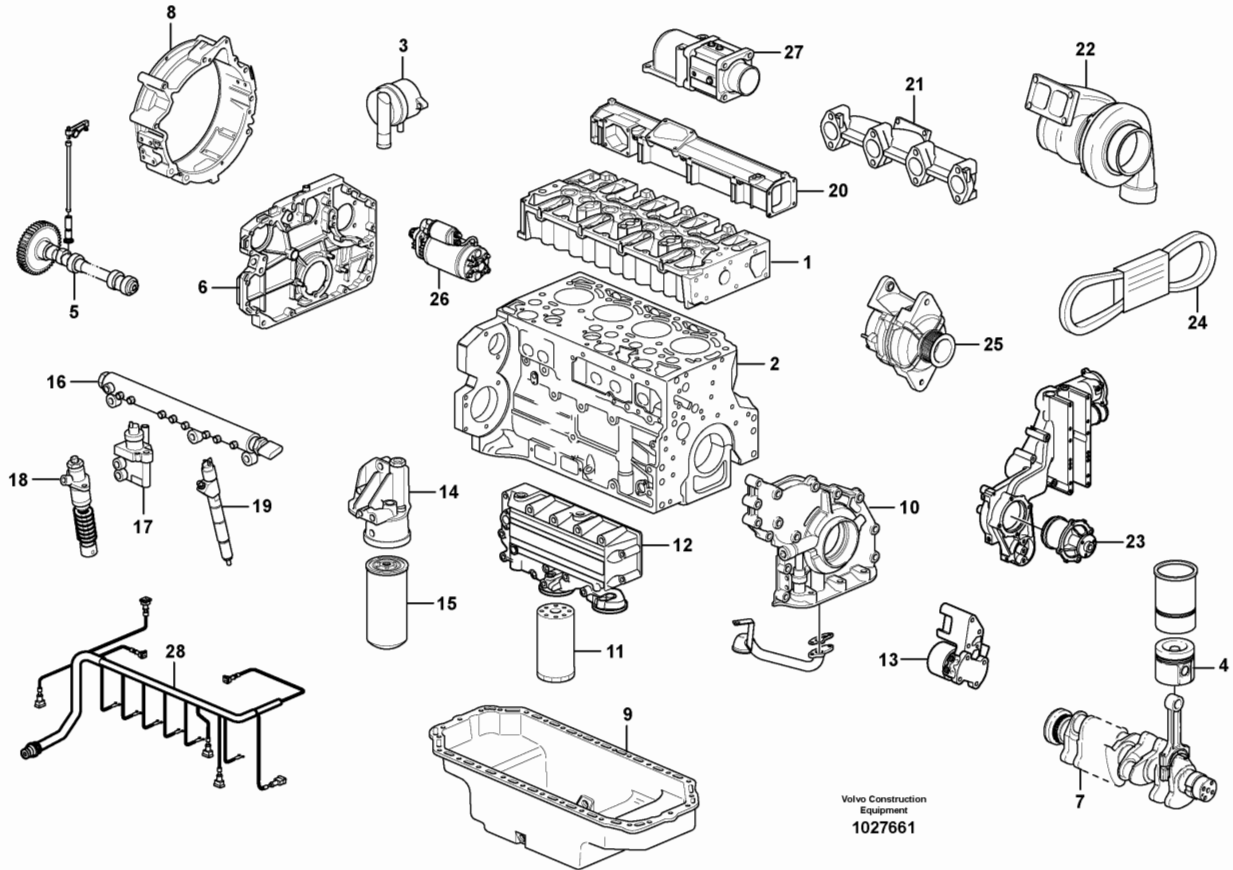


Date: <b>10/24/2025</b>	Image id: <b>1027661</b>	Catalogue: <b>20991</b>	Model: <b>EC210F 3</b>
Brand:	Serial: <b>110001-, 130001-, 140001-</b>	Group/Section: <b>210/100</b>	Title: <b>Engine 53901337</b>



Volvo Construction  
Equipment  
1027661

Section option	Kit	Option description
VOE53901337		Engine Installation FOR TIER3

Pos	Part	Q1	Q2	Q3	Q4	Q5	PS	Kit	Description	Option(s)	Remark
	VOE17387726	1							Engine		D5E, REMAN VOE9017387726
1		1							•Cylinder head		See ref 211/100
2		1							•Cylinder block		See ref 212/100
3		1							•Crankcase ventilation		See ref 212/200
4		4							•Piston		See ref 213/100
5		1							•Valve mechanism		See ref 214/100
6		1							•Timing gear casing		See ref 215/100
7		1							•Crankshaft		See ref 216/100
8		1							•Flywheel Hsg		See ref 216/200
9		1							•Oil sump		See ref 217/100
10		1							•Lubricating system		See ref 221/100

Product: Volvo EC210F 3 Excavators Part Manual

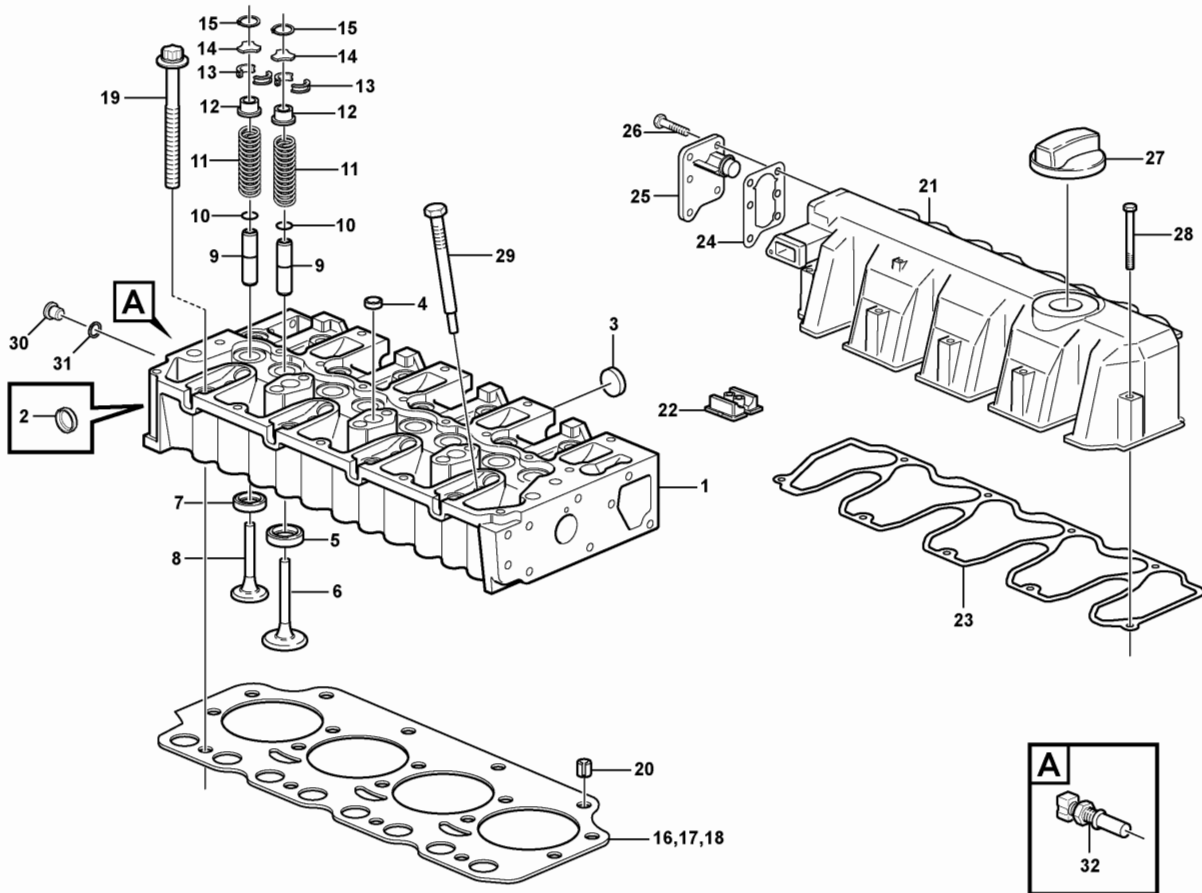
Full Download: <https://www.aresairmanual.com/downloads/volvo-ec210f-3-excavators-part-manual/>

11	1								•Oil filter	See ref 222/100
12	1								•Oil cooler	See ref 223/100
13	1								•Fuel pump	See ref 233/200
14	1								•Fuel Filter Housing	See ref 233/200
15	1								•Fuel Filter	See ref 233/200
16	1								•Rail	See ref 237/100
17	1								•Regulator	See ref 237/100
18	2								•Pump Unit	See ref 237/100
19	4								•Injector	See ref 237/100
20	1								•Inlet Manifold	See ref 251/100
21	1								•Exhaust pipe	See ref 251/100
22	1								•Turbocharger	See ref 255/100
23	1								•Coolant Pump	See ref 262/100
24	1								•Belt Xmsn	See ref 263/100
25	1								•Alternator	See ref 321/100
26	1								•Starter motor	See ref 331/100
27	1								•Pre-heater	See ref 333/100
28	1								•Cable harness	See ref 286/100

Sample of manual. Download All 589 pages at:

<https://www.aresairmanual.com/downloads/volvo-ec210f-3-excavators-part-manual/>

Date: <b>10/24/2025</b>	Image id: <b>1087187</b>	Catalogue: <b>20991</b>	Model: <b>EC210F 3</b>
Brand:	Serial: <b>110001-, 130001-, 140001-</b>	Group/Section: <b>211/100</b>	Title: <b>Cylinder head with fitting parts 17387726</b>



Volvo Construction  
Equipment  
1087187

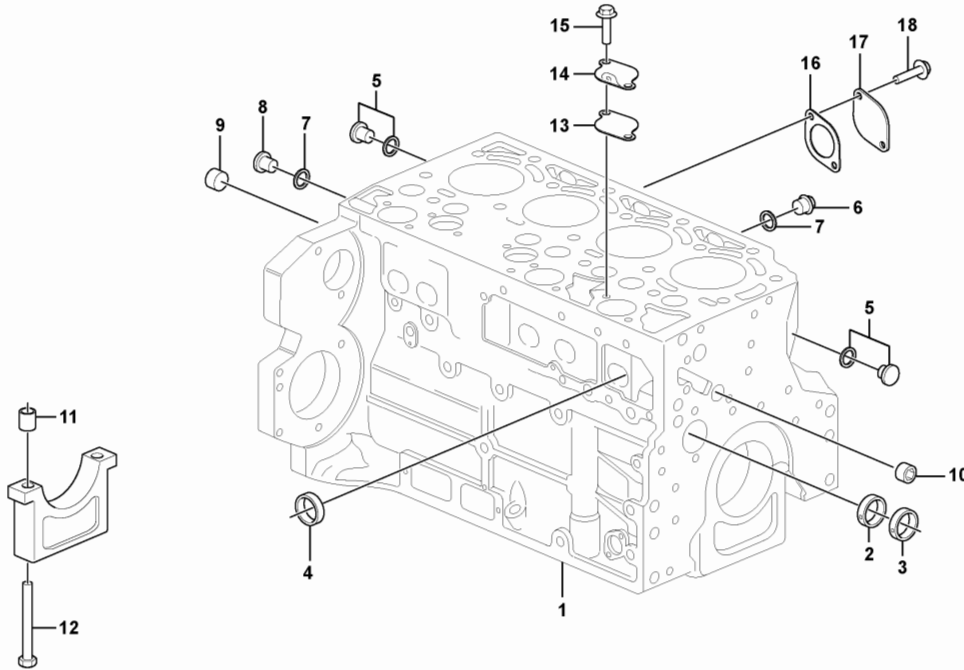
Section option	Kit	Option description
VOE17387726		Engine D5 TIER3

Pos	Part	Q1	Q2	Q3	Q4	Q5	PS	Kit	Description	Option(s)	Remark
1	VOE23095544	1							Cylinder head		REMAN VOE9023095544
2	VOE20914266	3							•Core Plug		
3	VOE20799722	3							•Plug		
4	VOE20412733	3							•Core plug		
5	VOE20459962	4							•Valve seat		
6	VOE21896344	4							•Valve		
7	VOE20845144	4							•Valve seat		
8	VOE21739130	4							•Exhaust valve		
9	VOE23935512	8							•Valve guide		See footnote 4914)
10	VOE11700348	8							•O-ring		
11	VOE11700347	8							•Valve spring		
12	VOE20847155	8							•Retainer		

13	VOE24003284	16							•Collet		
14	VOE20840807	8							•Thrust washer		
15	VOE20840772	8							•Lock ring		
16		1					NS		Cyl Head Gasket		THICK = 1.4 MM
17	VOE20970720	1							Cylinder head gasket		THICK = 1.5 MM
18	VOE20970725	1							Cylinder head gasket		THICK = 1.6 MM
19	VOE11700334	18							Screw		
20	VOE20405521	2							Guide pin		
21	VOE24349153	1							Valve cover		
22	VOE20412600	1							•Cap		
23	VOE24349310	1							•Seal		
24	VOE20840801	1							•Gasket		
25	VOE20933359	1							•Oil Separator		
26	VOE20797542	6							•Hexagon screw		
27	VOE20412589	1							Filler cap		
28	VOE22278501	9							Hexagon screw		
29	VOE21455743	1							Plug		
30	VOE20450683	1							Adapter		
31	VOE13947628	1							Plane gasket		
32		1							Temp. Sensor		See ref 284/200

4914) The final machining of the valve guides needs to be performed in combination with the related cylinder head and valves.

Date: <b>10/24/2025</b>	Image id: <b>1115301</b>	Catalogue: <b>20991</b>	Model: <b>EC210F 3</b>
Brand:	Serial: <b>110001-, 130001-, 140001-</b>	Group/Section: <b>212/100</b>	Title: <b>Cylinder block 17387726</b>



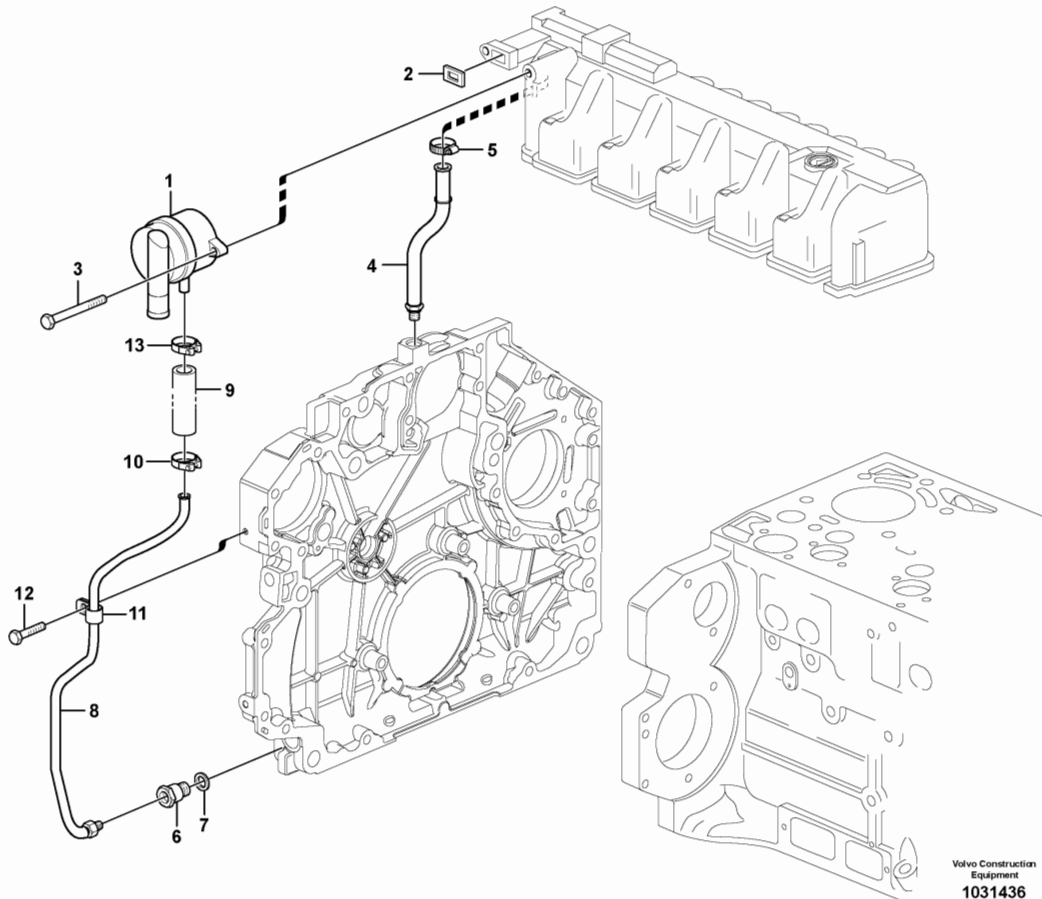
Volvo Construction  
Equipment  
1115301

Section option	Kit	Option description
VOE17387726		Engine D5 TIER3

Pos	Part	Q1	Q2	Q3	Q4	Q5	PS	Kit	Description	Option(s)	Remark
1	VOE21025096	1							Crankcase		
2	VOE11700285	1							•Bearing bushing		
3	VOE11700284	4							•Bearing bushing		
4	VOE20405721	6							•Core plug		
5	VOE24131681	2							•Hollow screw		
5	VOE60114081	1							••Plug		
5	VOE993677	1							••Gasket		
6	VOE60112839	2							•Plug		
7	VOE13969011	3							•Gasket		
8	VOE945065	1							•Plug		
9	VOE20785813	1							•Plug		
10	VOE20405719	1							•Plug		



Date: <b>10/24/2025</b>	Image id: <b>1031436</b>	Catalogue: <b>20991</b>	Model: <b>EC210F 3</b>
Brand:	Serial: <b>110001-, 130001-, 140001-</b>	Group/Section: <b>212/200</b>	Title: <b>Crankcase ventilation 17387726</b>



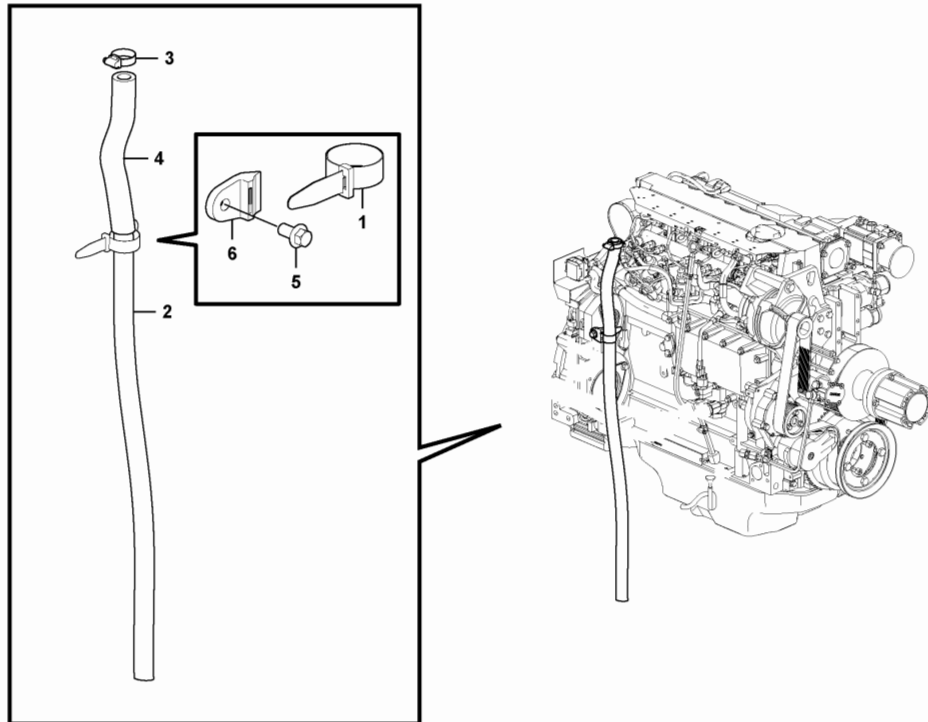
Volvo Construction  
Equipment  
1031436

Section option	Kit	Option description
VOE17387726		Engine D5 TIER3

Pos	Part	Q1	Q2	Q3	Q4	Q5	PS	Kit	Description	Option(s)	Remark
1	VOE20930510	1							Oil separator		
2	VOE21038626	1							•Plane gasket		
3	VOE20405504	2							Screw		
4	VOE20971646	1							Oil return pipe		
5	VOE20799673	1							Hose clamp		
6	VOE21496705	1							Drain valve		
7	VOE20460026	1							Sealing ring		
8	VOE22253988	1							Oil line		
9	VOE20971632	1							•Rubber hose		
10	VOE20971607	1							•Hose clamp		
11	VOE20798831	1							•Attaching clamp		
12	VOE20405729	1							Screw		

13	VOE20971607	1							Hose clamp		
----	-------------	---	--	--	--	--	--	--	------------	--	--

Date: <b>10/24/2025</b>	Image id: <b>1110234</b>	Catalogue: <b>20991</b>	Model: <b>EC210F 3</b>
Brand:	Serial: <b>110001-, 130001-, 140001-</b>	Group/Section: <b>212/300</b>	Title: <b>Crankcase ventilation 53901337</b>

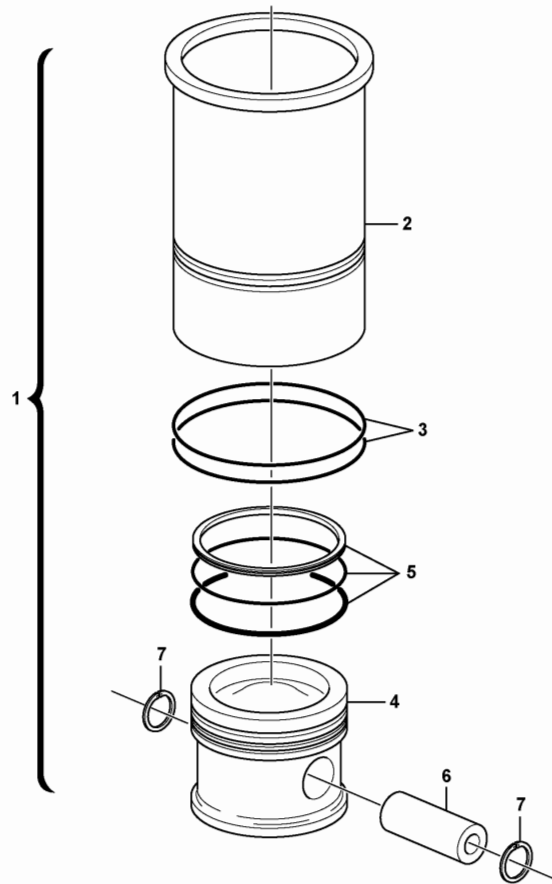


Volvo Construction  
Equipment  
1110234

Section option	Kit	Option description
VOE53901337		Engine Installation FOR TIER3

Pos	Part	Q1	Q2	Q3	Q4	Q5	PS	Kit	Description	Option(s)	Remark
1	VOE14558809	1							Strip clamp		
2	VOE14723972	1							Hose		
3	VOE943475	1							Hose clamp		
4	SA9443-30605	1					CS		Hose protection		
5	VOE984753	1							Flange screw		
6	VOE14558808	1							Strip clamp		

Date: <b>10/24/2025</b>	Image id: <b>1026946</b>	Catalogue: <b>20991</b>	Model: <b>EC210F 3</b>
Brand:	Serial: <b>110001-, 130001-, 140001-</b>	Group/Section: <b>213/100</b>	Title: <b>Cylinder liner and piston 17387726</b>

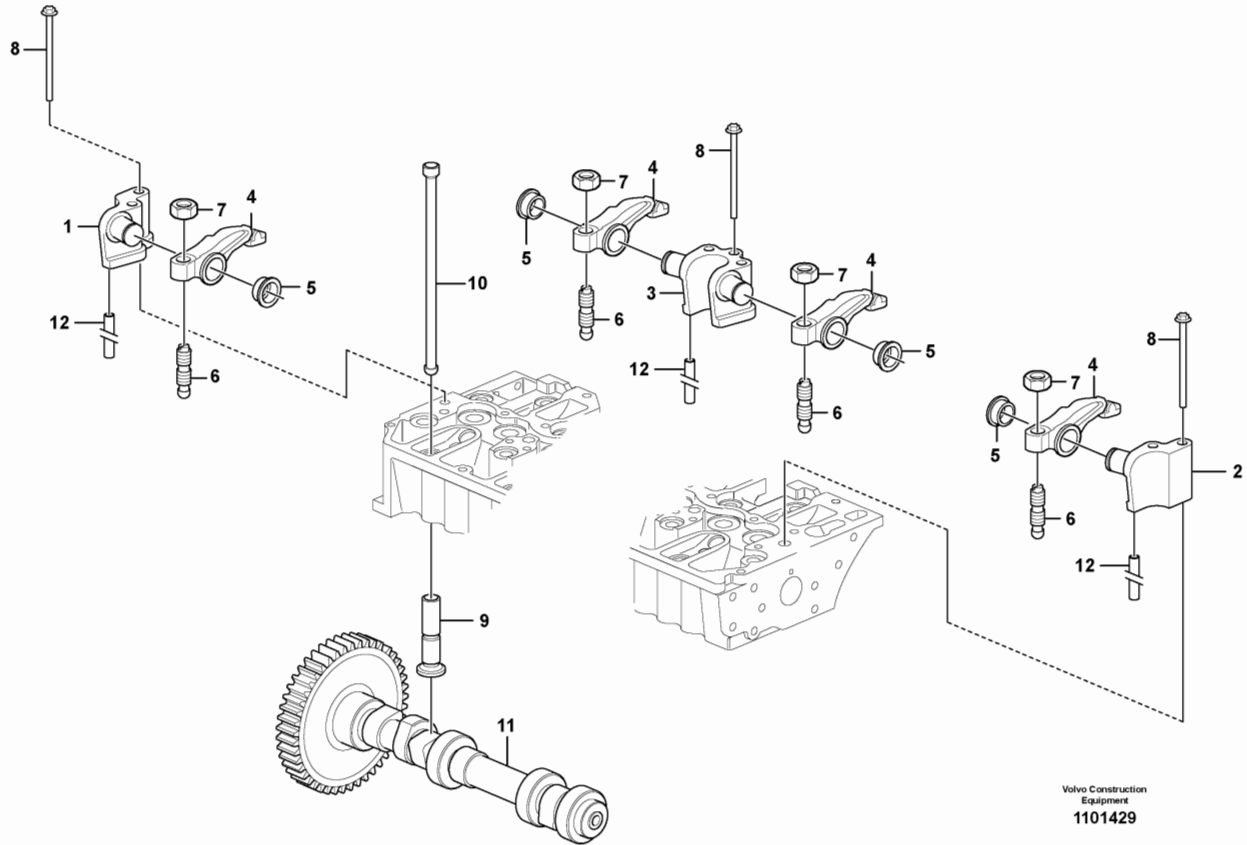


Volvo Construction  
Equipment  
1026946

Section option	Kit	Option description
VOE17387726		Engine D5 TIER3

Pos	Part	Q1	Q2	Q3	Q4	Q5	PS	Kit	Description	Option(s)	Remark
1	VOE20865990	4							Cyl Liner Kit		
2		4					NS		•Cylinder Liner		
3	VOE20412762	8							•O-ring		
4		4					NS		•Piston		
5	VOE21299547	4							•Piston ring kit		
6	VOE20405577	4							•Gudgeon pin		
7	VOE20405576	8							•Snap ring		

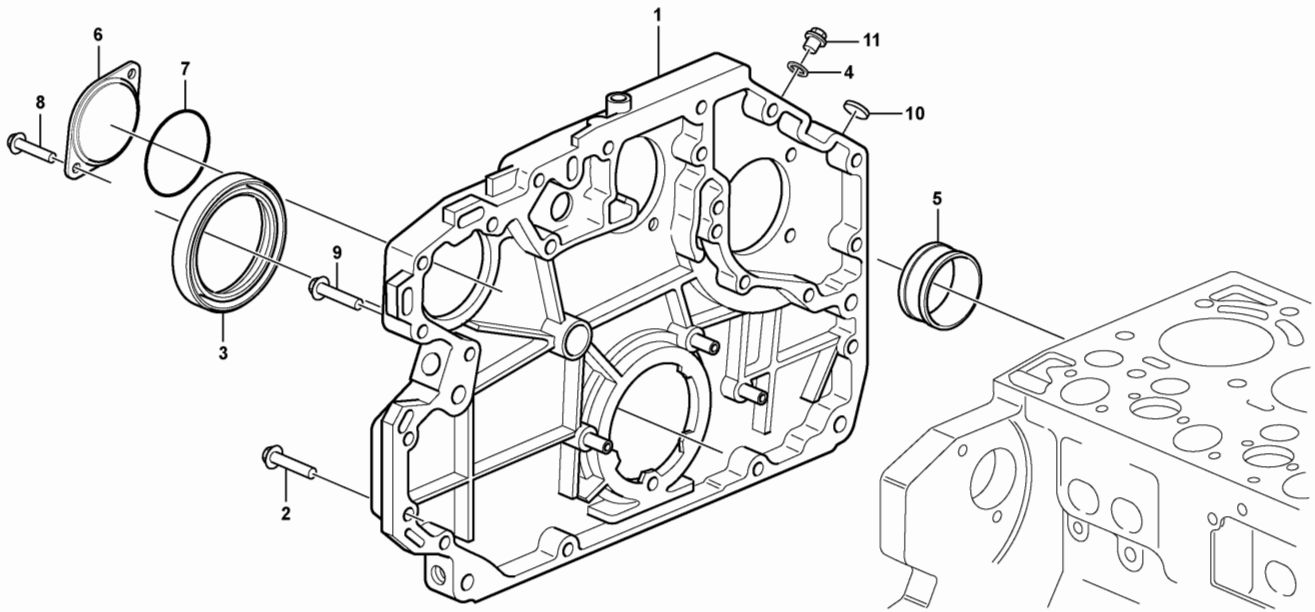
Date: <b>10/24/2025</b>	Image id: <b>1101429</b>	Catalogue: <b>20991</b>	Model: <b>EC210F 3</b>
Brand:	Serial: <b>110001-, 130001-, 140001-</b>	Group/Section: <b>214/100</b>	Title: <b>Valve mechanism 17387726</b>



Section option	Kit	Option description
VOE17387726		Engine D5 TIER3

Pos	Part	Q1	Q2	Q3	Q4	Q5	PS	Kit	Description	Option(s)	Remark
1	VOE23935622	1							Bracket		
2	VOE23101955	1							Bracket		
3	VOE23102364	3							Bracket		
4	VOE24642302	8							Rocker arm		
5	VOE20794115	8							Retaining ring		
6	VOE20913851	8							Adjusting Screw		
7	VOE11700373	8							Nut		
8	VOE20405723	10							Screw		
9	VOE11700366	8							Tappet		
10	VOE21456429	8							Push rod		
11	VOE22380215	1							Camshaft		
12	VOE20790837	5							Pin		

Date: <b>10/24/2025</b>	Image id: <b>1081146</b>	Catalogue: <b>20991</b>	Model: <b>EC210F 3</b>
Brand:	Serial: <b>110001-, 130001-, 140001-</b>	Group/Section: <b>215/100</b>	Title: <b>Timing gear casing 17387726</b>

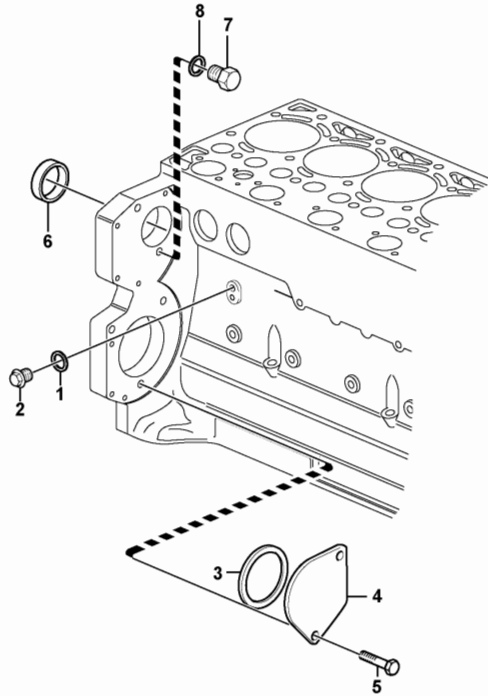


Volvo Construction  
Equipment  
1081146

Section option	Kit	Option description
VOE17387726		Engine D5 TIER3

Pos	Part	Q1	Q2	Q3	Q4	Q5	PS	Kit	Description	Option(s)	Remark
1	VOE23378541	1							Flywheel housing		
2	VOE996777	12							Flange screw		
3	VOE21306356	1							Lip seal		
4	VOE21108673	1							Sealing ring		
5	VOE20794126	1							Bushing		
6	VOE22610639	1							Cover		
7	VOE20405652	1							O-ring		
8	VOE20405709	2							Screw		
9	VOE20405709	1							Screw		
10	VOE20405605	1							Cover		
11	VOE20451012	1							Screw		

Date: <b>10/24/2025</b>	Image id: <b>1031450</b>	Catalogue: <b>20991</b>	Model: <b>EC210F 3</b>
Brand:	Serial: <b>110001-, 130001-, 140001-</b>	Group/Section: <b>215/200</b>	Title: <b>Pump drive power take-off 17387726</b>

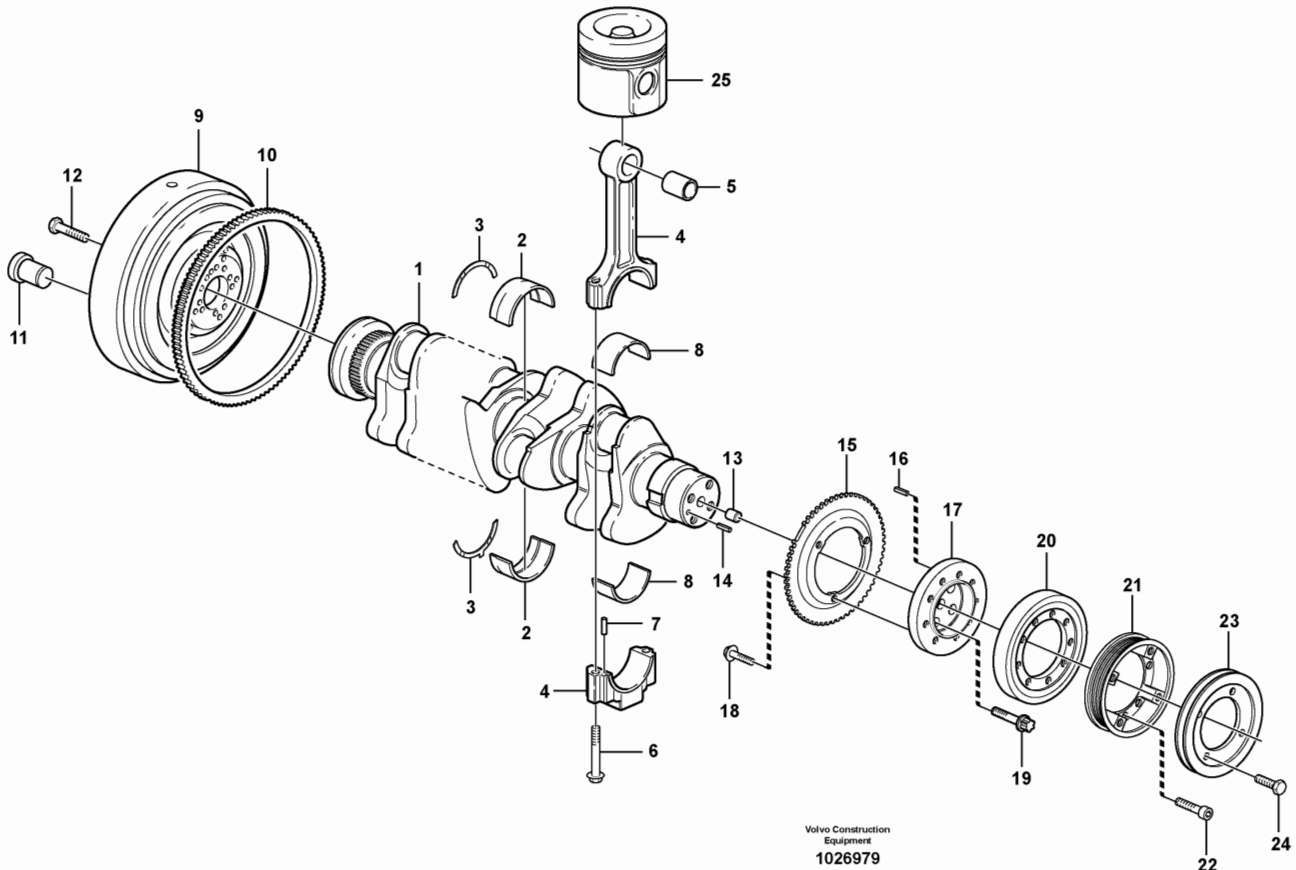


Volvo Construction  
Equipment  
1031450

Section option	Kit	Option description
VOE17387726		Engine D5 TIER3

Pos	Part	Q1	Q2	Q3	Q4	Q5	PS	Kit	Description	Option(s)	Remark
1	VOE993677	1							Gasket		
2	VOE60112839	1							Plug		
3	VOE20412359	1							O-ring		
4	VOE22740676	1							Cover		
5	VOE60113409	2							Flange screw		
6	VOE20450778	1							Core plug		
7	VOE20441859	1							Plug		
8	VOE13947281	1							Gasket		

Date: <b>10/24/2025</b>	Image id: <b>1026979</b>	Catalogue: <b>20991</b>	Model: <b>EC210F 3</b>
Brand:	Serial: <b>110001-, 130001-, 140001-</b>	Group/Section: <b>216/100</b>	Title: <b>Crankshaft and related parts 17387726</b>

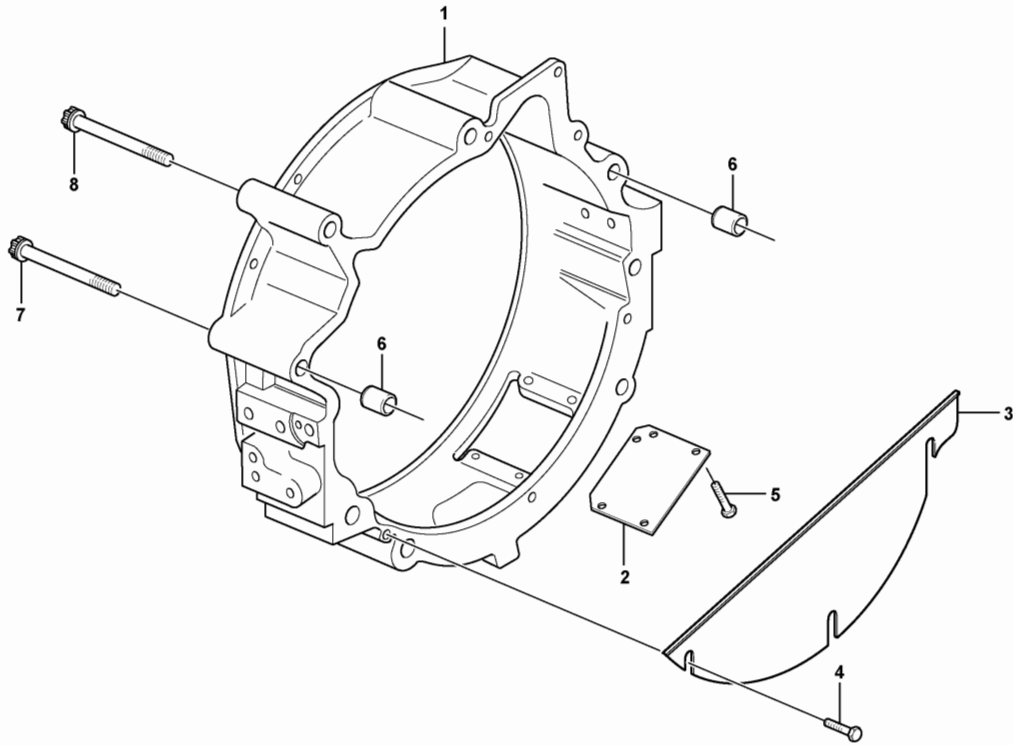


Section option	Kit	Option description
VOE17387726		Engine D5 TIER3

Pos	Part	Q1	Q2	Q3	Q4	Q5	PS	Kit	Description	Option(s)	Remark
1	VOE21264836	1							Crankshaft		REMAN VOE9021264836
2	VOE21141948	5							Main bearing		STD SZ = 85.00 MM
2	VOE21234191	5							Main bearing		U SZ = 84.75 MM
2	VOE20405541	5							Main bearing		U SZ = 84.50 MM
3	VOE21141955	2							Thrust washer		STD SZ = 2.9 MM
3	VOE21141963	2							Thrust washer		O SZ = 3.1 MM
4	VOE22957342	4							Connecting rod		
5	VOE11700325	4							•Bushing		
6	VOE11700326	8							•Bolt		
7	VOE20459134	8							•Pin		
8	VOE20766790	1							Big-end Bearing		STD SZ = 68.00 MM
8	VOE20790423	1							Big-end Bearing		U SZ = 67.75 MM

8	VOE20790428	1							Big-end Bearing		U SZ = 67.50 MM
9	VOE20524696	1							Flywheel		
10	VOE22003479	1							•Starter gear ring		
11	VOE20405643	1							Plug		
12	VOE20450835	10							Screw		
13	VOE20405634	1							Spring pin		
14	VOE20450628	1							Pin		
15	VOE20972333	1							Lock washer		
16	VOE20450838	1							Pin		
17	VOE21025184	1							Flange		
18	VOE975108	3							Flange screw		
19	VOE20405724	4							Screw		
20	VOE20459925	1							Vibration absorber		
21	VOE20799122	1							V-belt pulley		
22	VOE21025208	6							Hex. socket screw		
23	VOE20459155	1							Pulley		
24	VOE996781	4							Hexagon screw		
25		1							Piston		See ref 213/100

Date: <b>10/24/2025</b>	Image id: <b>1027113</b>	Catalogue: <b>20991</b>	Model: <b>EC210F 3</b>
Brand:	Serial: <b>110001-, 130001-, 140001-</b>	Group/Section: <b>216/200</b>	Title: <b>Flywheel housing 17387726</b>

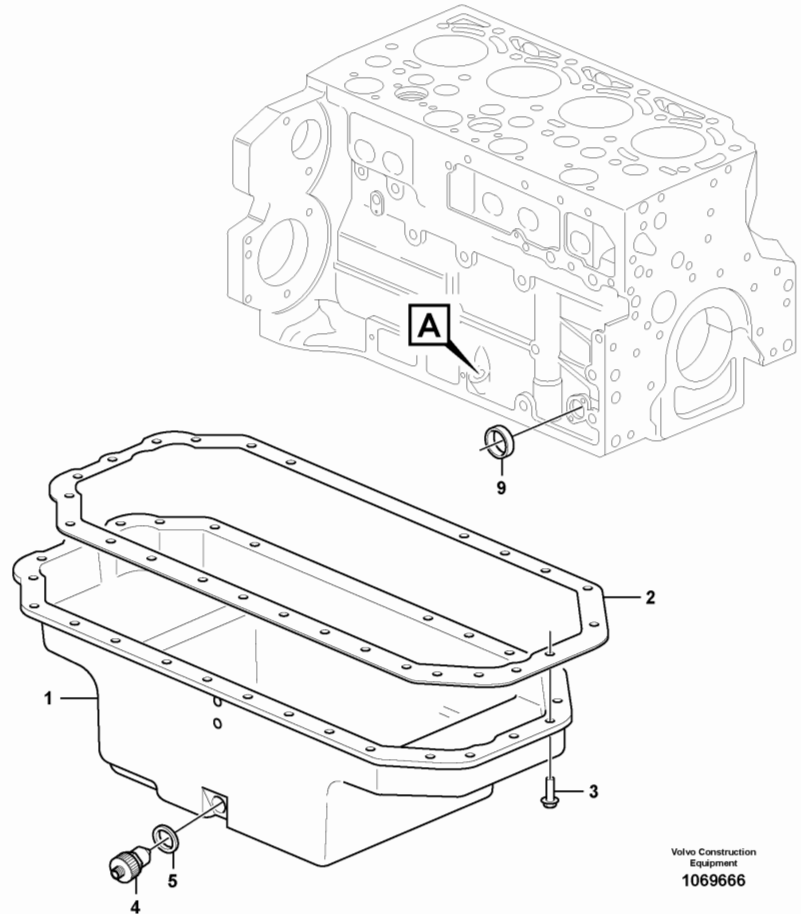
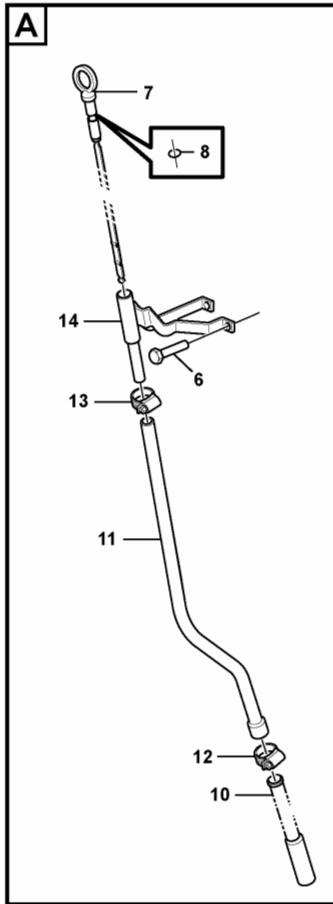


Volvo Construction  
Equipment  
1027113

Section option	Kit	Option description
VOE17387726		Engine D5 TIER3

Pos	Part	Q1	Q2	Q3	Q4	Q5	PS	Kit	Description	Option(s)	Remark
1	VOE21044436	1							Flywheel housing		
2	VOE20547288	1							•Cover Plate		
3	VOE20459989	1							•Cover		
4	VOE20405729	3							•Screw		
5	VOE20405729	4							•Screw		
6	VOE20405887	2							Bushing		
7	VOE20405714	2							Screw		
8	VOE20405715	4							Screw		

Date: <b>10/24/2025</b>	Image id: <b>1069666</b>	Catalogue: <b>20991</b>	Model: <b>EC210F 3</b>
Brand:	Serial: <b>110001-, 130001-, 140001-</b>	Group/Section: <b>217/100</b>	Title: <b>Oil sump 17387726</b>

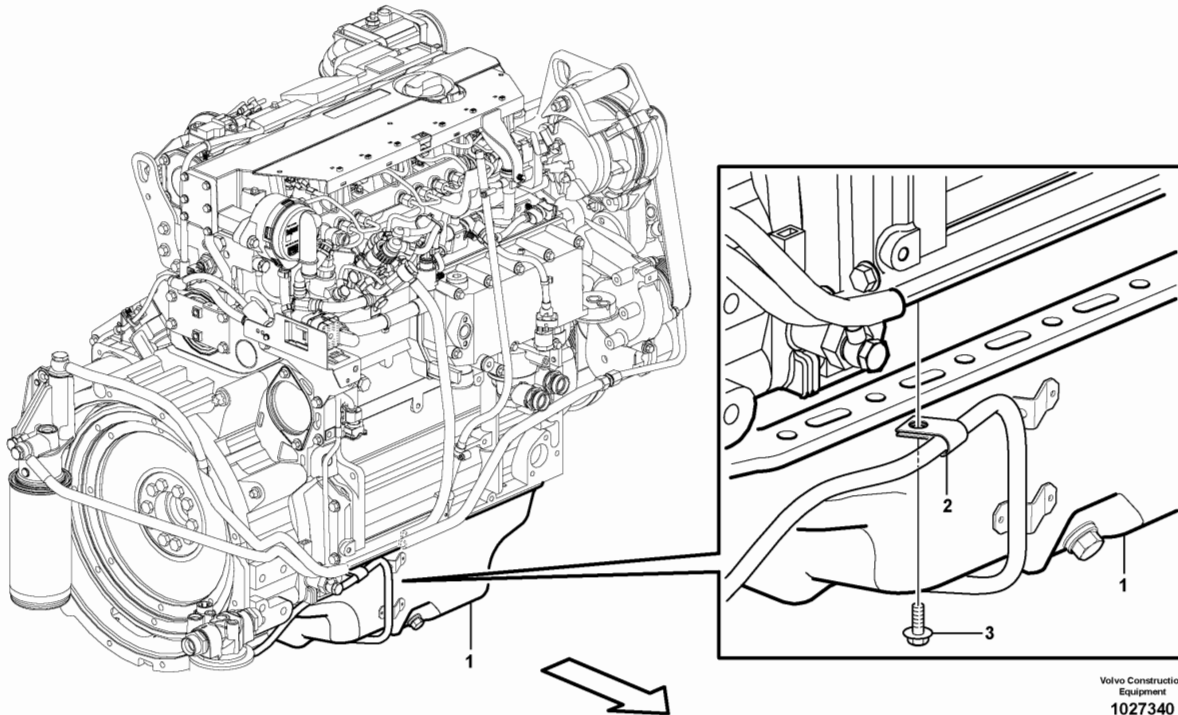


Section option	Kit	Option description
VOE17387726		Engine D5 TIER3

Pos	Part	Q1	Q2	Q3	Q4	Q5	PS	Kit	Description	Option(s)	Remark
1	VOE23849265	1							Oil pan		
2	VOE20405843	1							Gasket		
3	VOE20405792	26							Screw		
4	VOE22879098	1							Drain valve		
5	VOE993679	1							Gasket		
6	VOE20405792	2							Screw		
7	VOE21584977	1							Oil dipstick		
8	VOE20460218	1							•O-ring		
9	VOE20412745	1							Core plug		
10	VOE20450869	1							Guide tube		
11	VOE20460212	1							Guide tube		
12	VOE20405568	1							Clip		



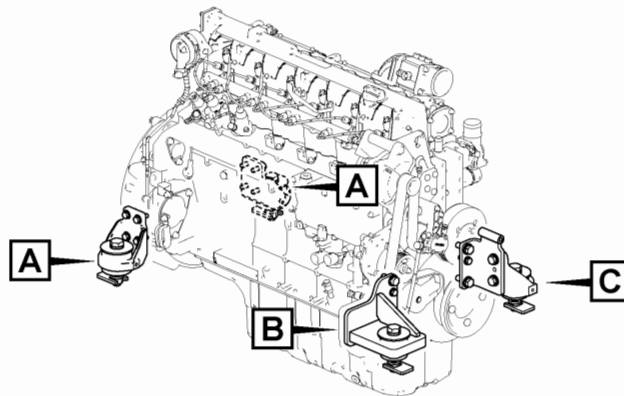
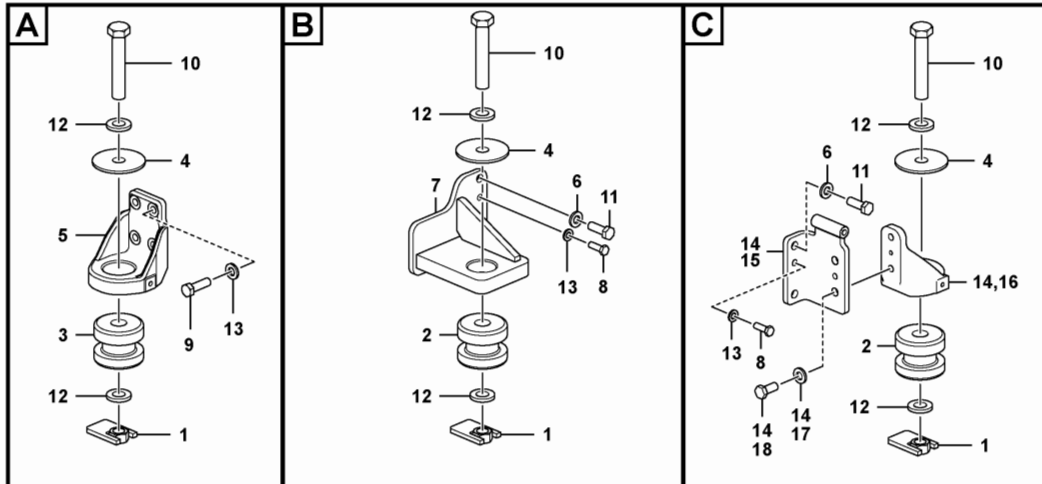
Date: <b>10/24/2025</b>	Image id: <b>1027340</b>	Catalogue: <b>20991</b>	Model: <b>EC210F 3</b>
Brand:	Serial: <b>110001-, 130001-, 140001-</b>	Group/Section: <b>217/200</b>	Title: <b>Oil sump 17387726</b>



Section option	Kit	Option description
VOE17387726		Engine D5 TIER3

Pos	Part	Q1	Q2	Q3	Q4	Q5	PS	Kit	Description	Option(s)	Remark
1		1							Oil Pan		See ref 217/100
2	VOE978869	1							Clamp		
3	VOE60113106	1							Flange screw		

Date: <b>10/24/2025</b>	Image id: <b>1128925</b>	Catalogue: <b>20991</b>	Model: <b>EC210F 3</b>
Brand:	Serial: <b>110001-, 130001-, 140001-</b>	Group/Section: <b>218/100</b>	Title: <b>Engine mounting 53925010</b>



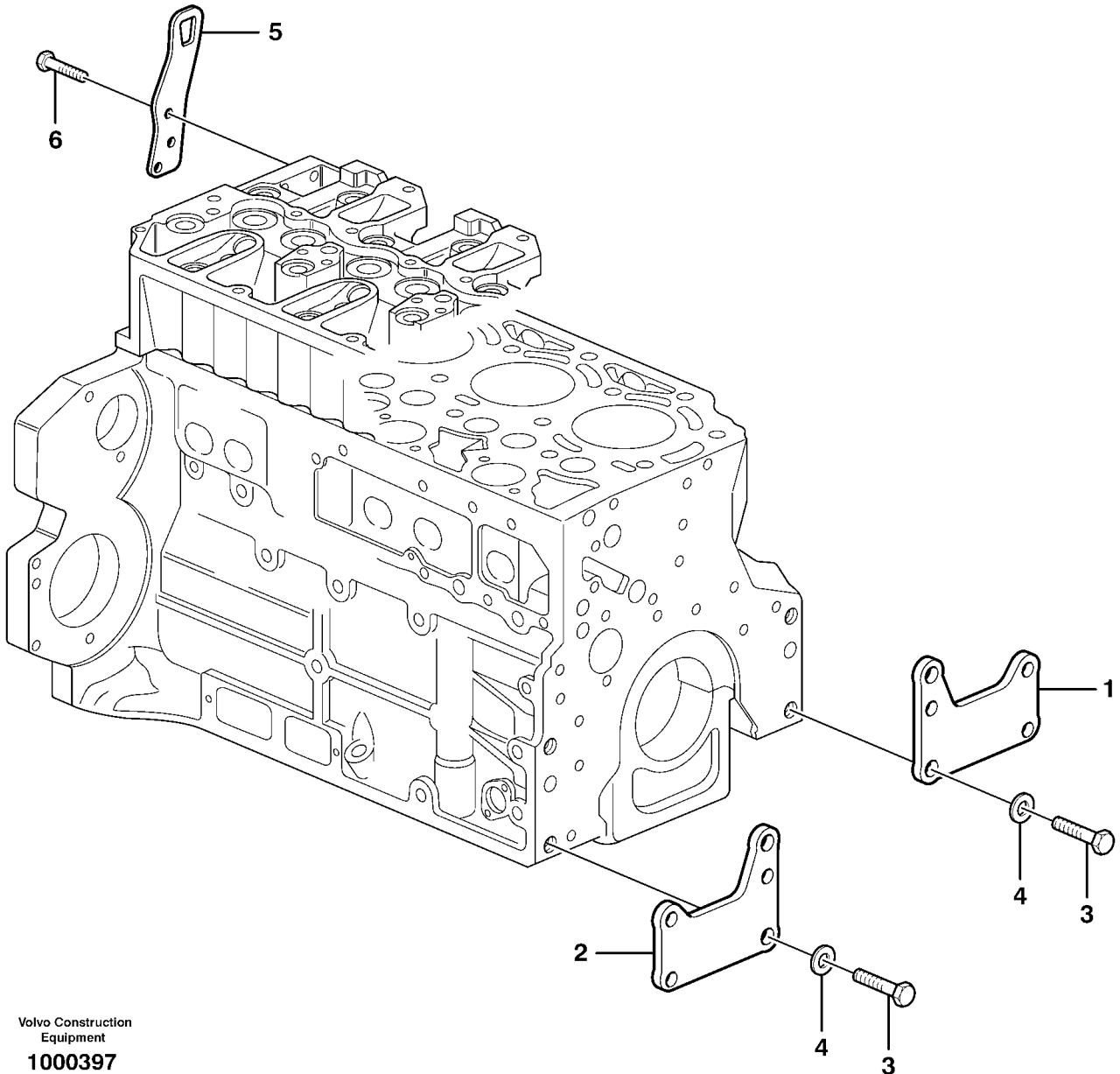
Volvo Construction  
Equipment  
1128925

Section option	Kit	Option description
VOE53925010		Sub Basic Machine EC210F

Pos	Part	Q1	Q2	Q3	Q4	Q5	PS	Kit	Description	Option(s)	Remark
1	VOE14728253	4							Nut		
2	VOE14725571	2							Cushion		
3	VOE14528380	2							Cushion		
4	VOE14526169	4							Plate		
5	VOE14578737	2							Bracket		
6	VOE60110299	4							Washer		
7	VOE14704238	1							Engine bracket		
8	VOE997953	2							Hexagon screw		
9	VOE997447	8							Hexagon screw		
10	VOE60110015	4							Hexagon screw		
11	VOE60110032	4							Hexagon screw		
12	VOE60110289	8							Washer		

13	VOE60110297	10							Washer		
14	VOE14729262	1							Bracket		
15		1					NS		•Bracket		
16	VOE14572876	1							•Bracket		
17	VOE60110299	2							•Washer		
18	VOE997459	2							•Hexagon screw		

Date: <b>10/24/2025</b>	Image id: <b>1000397</b>	Catalogue: <b>20991</b>	Model: <b>EC210F 3</b>
Brand:	Serial: <b>110001-, 130001-, 140001-</b>	Group/Section: <b>218/200</b>	Title: <b>Engine mounting 17387726</b>

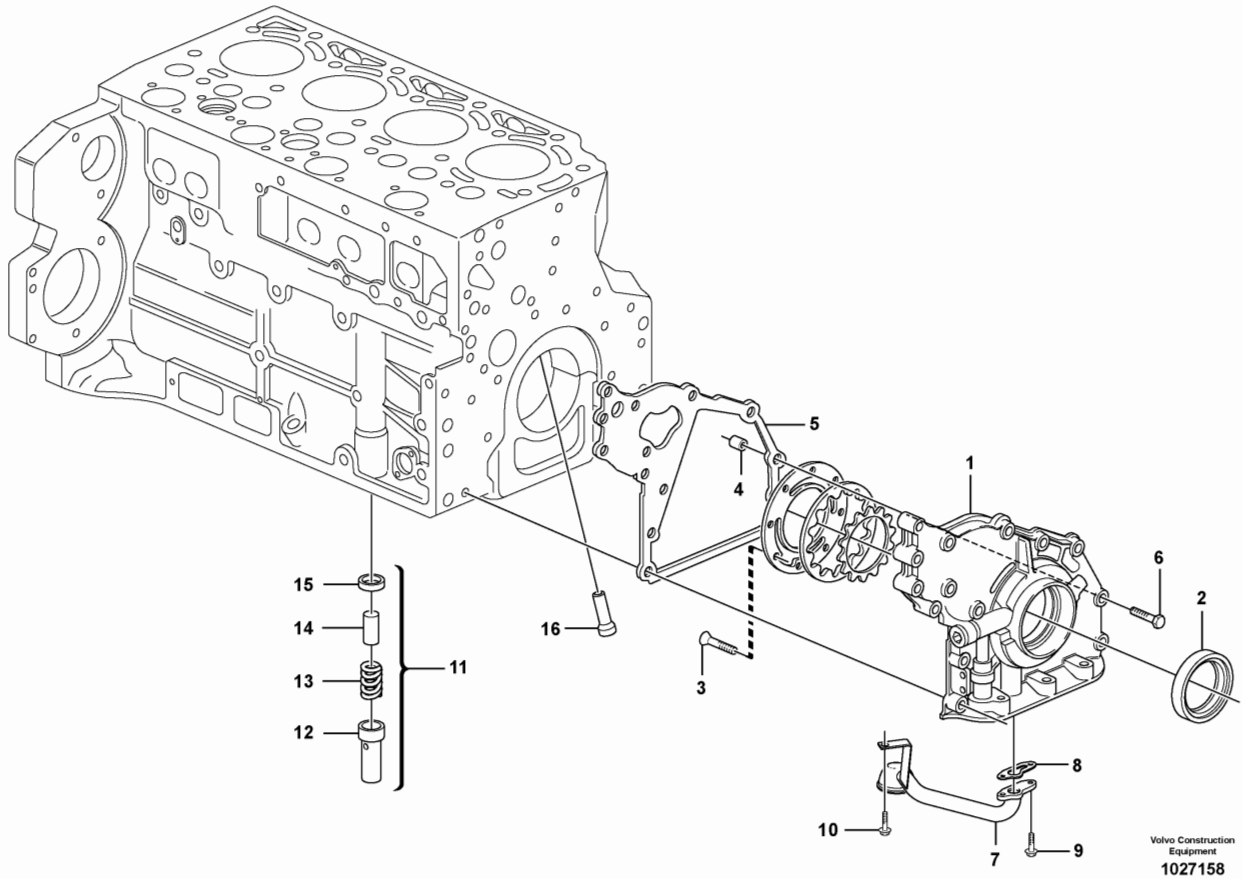


Section option	Kit	Option description
VOE17387726		Engine D5 TIER3

Pos	Part	Q1	Q2	Q3	Q4	Q5	PS	Kit	Description	Option(s)	Remark
1	VOE20723978	1							Bracket		
2	VOE20723984	1							Bracket		
3	VOE20535027	4							Screw		
4	VOE997824	4							Washer		
5	VOE20450854	2							Lifting eye		

6	VOE996813	6						Flange screw		
---	-----------	---	--	--	--	--	--	--------------	--	--

Date: <b>10/24/2025</b>	Image id: <b>1027158</b>	Catalogue: <b>20991</b>	Model: <b>EC210F 3</b>
Brand:	Serial: <b>110001-, 130001-, 140001-</b>	Group/Section: <b>221/100</b>	Title: <b>Lubricating oil system 17387726</b>



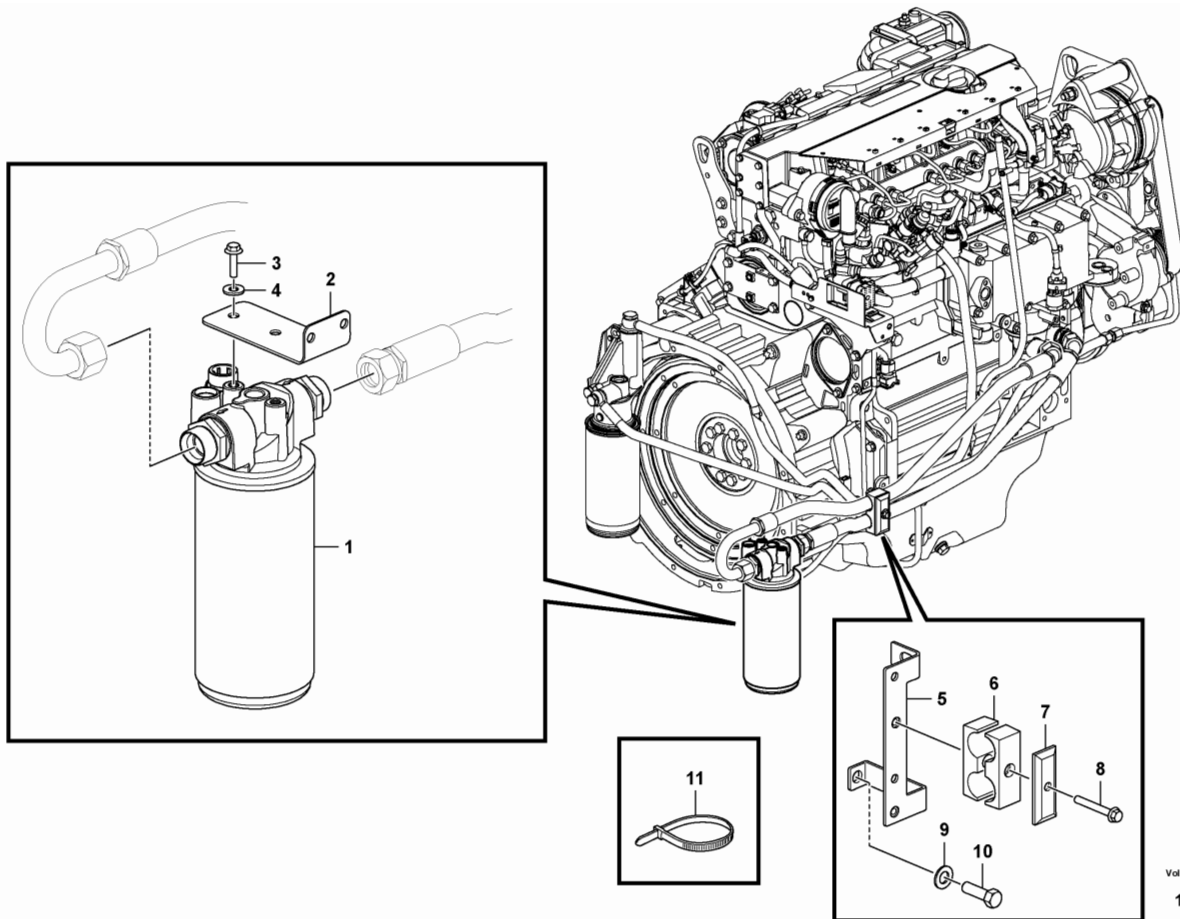
Section option	Kit	Option description
VOE17387726		Engine D5 TIER3

Pos	Part	Q1	Q2	Q3	Q4	Q5	PS	Kit	Description	Option(s)	Remark
1	VOE23171014	1							Front Cover		
2	VOE21306362	1							•Lip seal		
3	VOE20451738	8							Screw		
4	VOE20405603	1							Spring pin		
5	VOE21679835	1							Gasket		
6	VOE996777	14							Flange screw		
7	VOE22421336	1							Suction pipe		
8	VOE20405888	1							Gasket		
9	VOE60113399	2							Flange screw		
10	VOE20405792	1							Screw		
11	VOE11700271	1							Delivery valve		
12	VOE20405937	1							•Sleeve		
13	VOE20405896	1							•Compression		

spring

14	VOE20405936	1					CS	•Valve		
15	VOE20405904	1						•Ring		
16	VOE20405561	4						Piston		

Date: <b>10/24/2025</b>	Image id: <b>1128786</b>	Catalogue: <b>20991</b>	Model: <b>EC210F 3</b>
Brand:	Serial: <b>110001-, 130001-, 140001-</b>	Group/Section: <b>221/200</b>	Title: <b>Lubricating oil system 17387726</b>

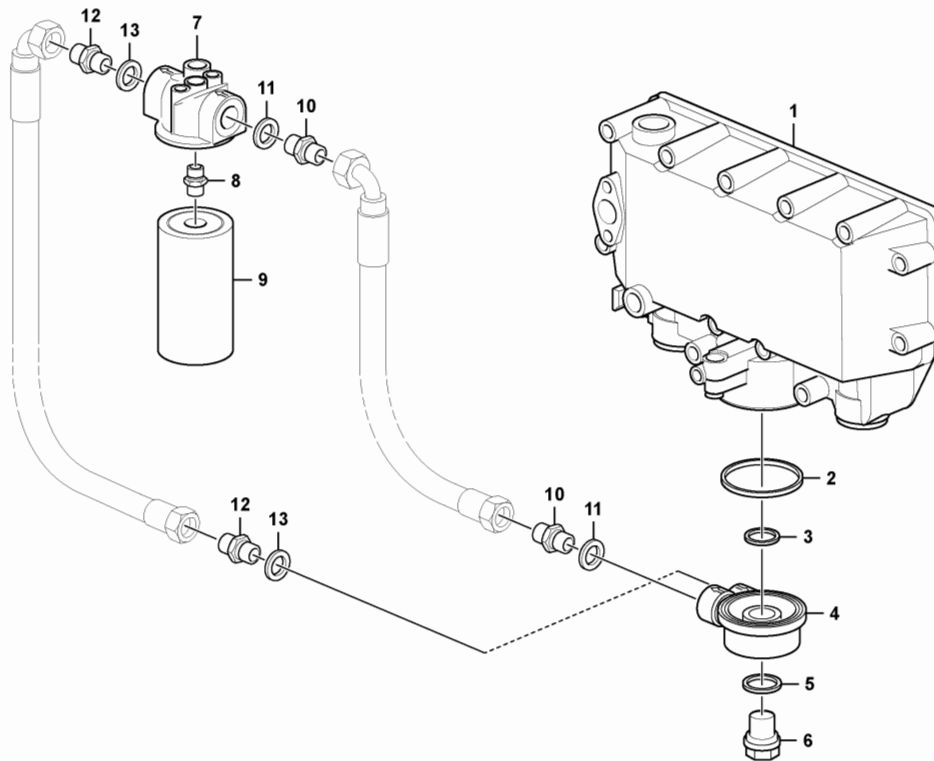


Volvo Construction  
Equipment  
1128786

Section option	Kit	Option description
VOE17387726		Engine D5 TIER3

Pos	Part	Q1	Q2	Q3	Q4	Q5	PS	Kit	Description	Option(s)	Remark
1		1							Oil Filter		See ref 222/200
2	VOE14536940	1							Bracket		
3	VOE984752	4							Flange screw		
4	VOE994849	4							Washer		
5		1					NS		Bracket		
6	VOE16843967	1							Clamp		
7	ZM2801130	1							Plate		
8	VOE984740	1							Flange screw		
9	VOE60110353	1							Plain washer		
10	VOE997874	1							Hex. socket screw		
11	VOE4881440	REQ							Cable tie		

Date: <b>10/24/2025</b>	Image id: <b>1128789</b>	Catalogue: <b>20991</b>	Model: <b>EC210F 3</b>
Brand:	Serial: <b>110001-, 130001-, 140001-</b>	Group/Section: <b>222/100</b>	Title: <b>Oil filter 17387726</b>



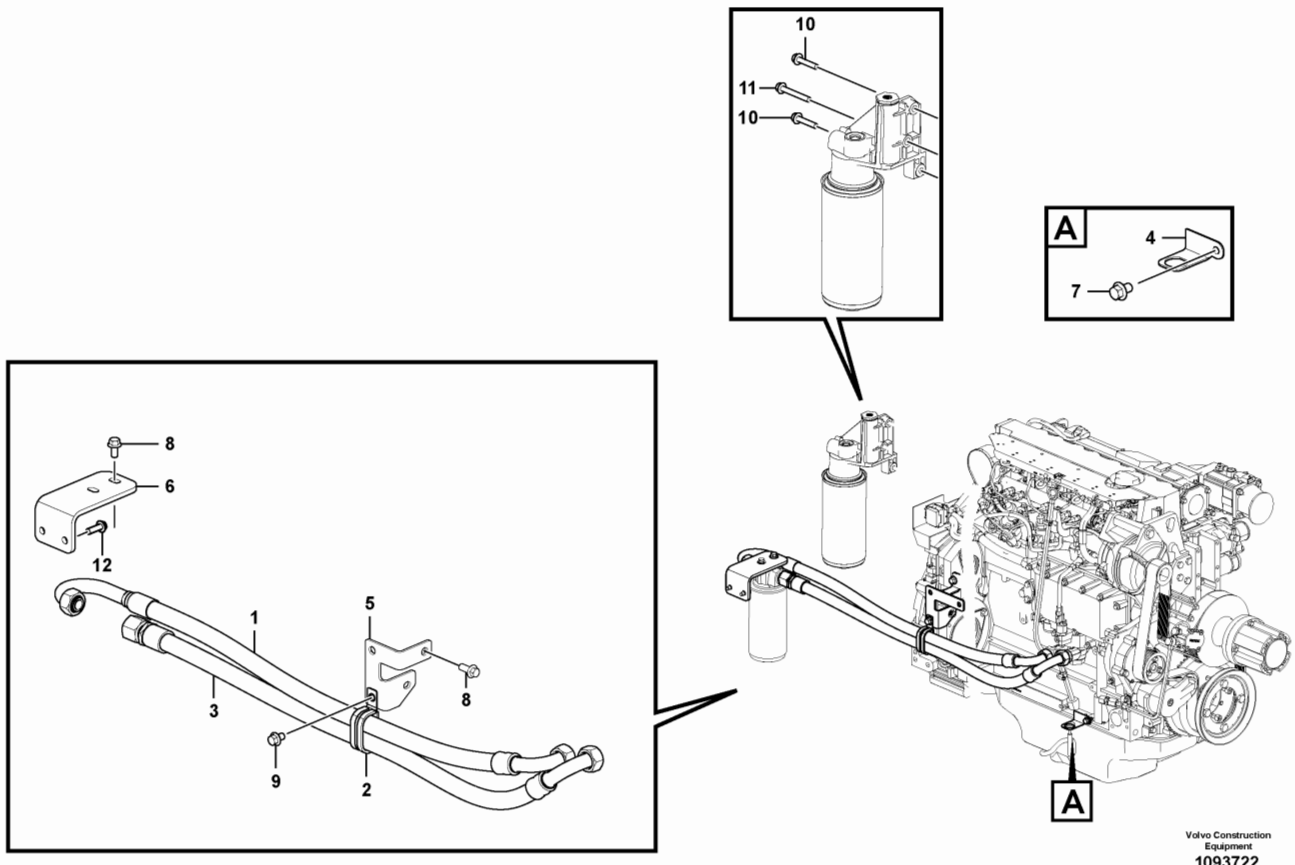
Volvo Construction  
Equipment  
1128789

Section option	Kit	Option description
VOE17387726		Engine D5 TIER3

Pos	Part	Q1	Q2	Q3	Q4	Q5	PS	Kit	Description	Option(s)	Remark
1		1							Housing		See ref 223/100
2	VOE20450992	1							Sealing ring		
3	VOE20405578	1							Sealing ring		
4	VOE24109158	1							Adapter		
5	VOE20450993	1							Sealing ring		
6	VOE22276683	1							Hollow Screw		
7	VOE22236685	1							Filter		
8	VOE20459201	1							•Nipple		
9	VOE17535679	1							Oil filter		PERFORMANCE
9	VOE17535046	1							Oil filter		HIGH PERF
10	VOE23701972	2							Electric socket		
11	VOE993407	2							Gasket		



Date: <b>10/24/2025</b>	Image id: <b>1110230</b>	Catalogue: <b>20991</b>	Model: <b>EC210F 3</b>
Brand:	Serial: <b>110001-, 130001-, 140001-</b>	Group/Section: <b>222/200</b>	Title: <b>Oil filter with fitting parts 53901337</b>

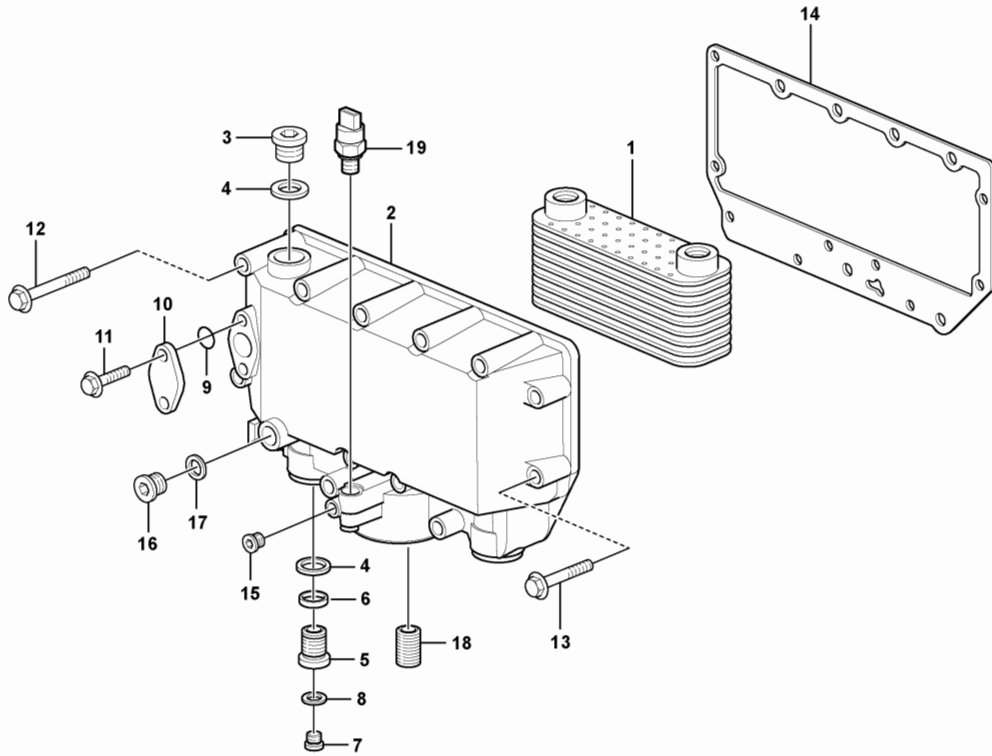


Volvo Construction  
Equipment  
1093722

Section option	Kit	Option description
VOE53901337		Engine Installation FOR TIER3

Pos	Part	Q1	Q2	Q3	Q4	Q5	PS	Kit	Description	Option(s)	Remark
1	VOE14775039	1							Hose assembly		
2	VOE14507451	1							Clip		
3	VOE14775038	1							Hose assembly		
4		1					NS		Bracket		
5		1					NS		Bracket		
6		1					NS		Plate		
7	VOE984735	1							Flange screw		
8	VOE984753	4							Flange screw		
9	VOE984751	1							Flange screw		
10	VOE984738	2							Flange screw		
11	VOE984740	1							Flange screw		
12	VOE984752	2							Flange screw		

Date: <b>10/24/2025</b>	Image id: <b>1067818</b>	Catalogue: <b>20991</b>	Model: <b>EC210F 3</b>
Brand:	Serial: <b>110001-, 130001-, 140001-</b>	Group/Section: <b>223/100</b>	Title: <b>Oil cooler 17387726</b>



Volvo Construction  
Equipment  
1067818

Section option	Kit	Option description
VOE17387726		Engine D5 TIER3

Pos	Part	Q1	Q2	Q3	Q4	Q5	PS	Kit	Description	Option(s)	Remark
1	VOE20715679	1							Oil cooler		
2	VOE23124230	1							Oil cooler		
3	VOE60112458	1							Plug		
4	VOE13947628	2							Plane gasket		
5	VOE20405752	1							Screw		
6	VOE20405569	1							•Seal		
7	VOE60114058	1							Plug		
8	VOE20405578	1							Sealing ring		
9	VOE20405599	1							Sealing ring		
10	VOE21072778	1							Flange		
11	VOE20405792	2							Screw		
12	VOE996812	10							Flange screw		