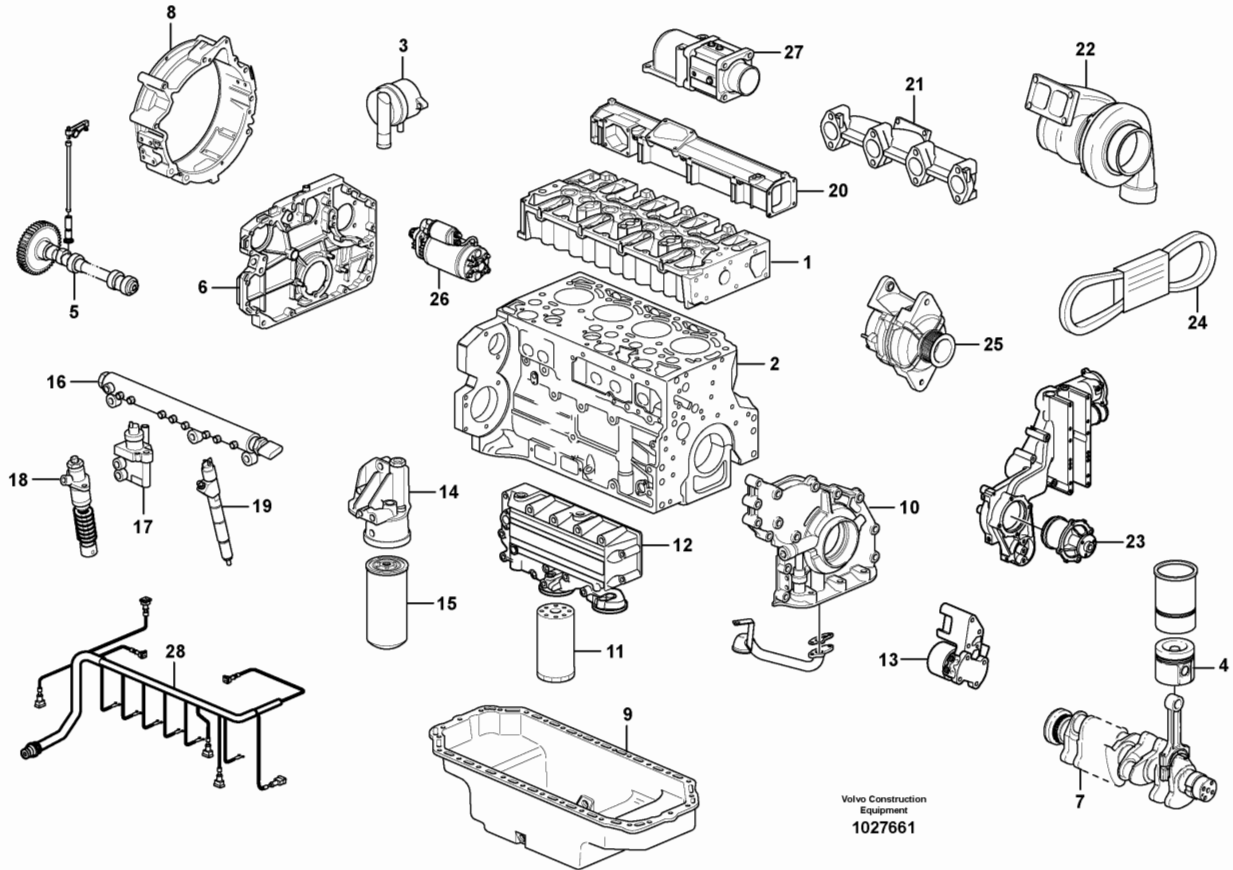


Date: 9/26/2025	Image id: 1027661	Catalogue: 20763	Model: EC210D
Brand: Volvo	Serial: 230001-, 240001-, 250001-, 280001-	Group/Section: 210/110	Title: Engine 17387726, 53641263



Section option	Kit	Option description
VOE17387726		Engine D5 TIER3
VOE53641263		Engine D5E T3

Pos	Part	Q1	Q2	Q3	Q4	Q5	PS	Kit	Description	Option(s)	Remark
	VOE17387726	1							Engine	VOE829713 5	D5E EAE3, REMAN VOE9017387726
	VOE53641263	1					SS		Engine	VOL539996 66	D5E T3 CN, REMAN VOE9017387726, VOE9053641263
1		1							•Cylinder head		
2		1							•Cylinder block		
3		1							•Crankcase ventilation		
4		4							•Piston		
5		1							•Valve mechanism		

Product: Volvo EC210D Excavators Part Manual

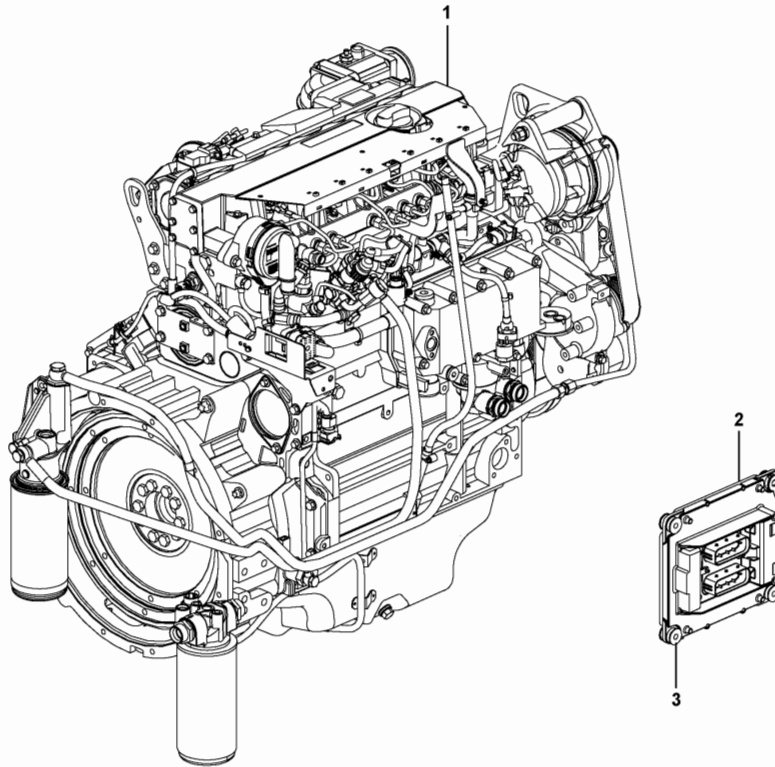
Full Download: <https://www.arepairmanual.com/downloads/volvo-ec210d-excavators-part-manual/>

6	1								•Timing gear casing	
7	1								•Crankshaft	
8	1								•Flywheel Hsg	
9	1								•Oil sump	
10	1								•Lubricating system	
11	1								•Oil filter	
12	1								•Oil cooler	
13	1								•Fuel pump	
14	1								•Fuel Filter Housing	
15	1								•Fuel Filter	
16	1								•Rail	
17	1								•Regulator	
18	2								•Pump Unit	
19	4								•Injector	
20	1								•Inlet Manifold	
21	1								•Exhaust pipe	
22	1								•Turbocharger	
23	1								•Coolant Pump	
24	1								•Belt Xmsn	
25	1								•Alternator	
26	1								•Starter motor	
27	1								•Pre-heater	
28	1								•Cable harness	

Sample of manual. Download All 1127 pages at:

<https://www.arepairmanual.com/downloads/volvo-ec210d-excavators-part-manual/>

Date: 9/26/2025	Image id: 1060428	Catalogue: 20763	Model: EC210D
Brand: Volvo	Serial: 230001-, 240001-, 250001-, 280001-	Group/Section: 210/150	Title: Engine 17387726, 53641263

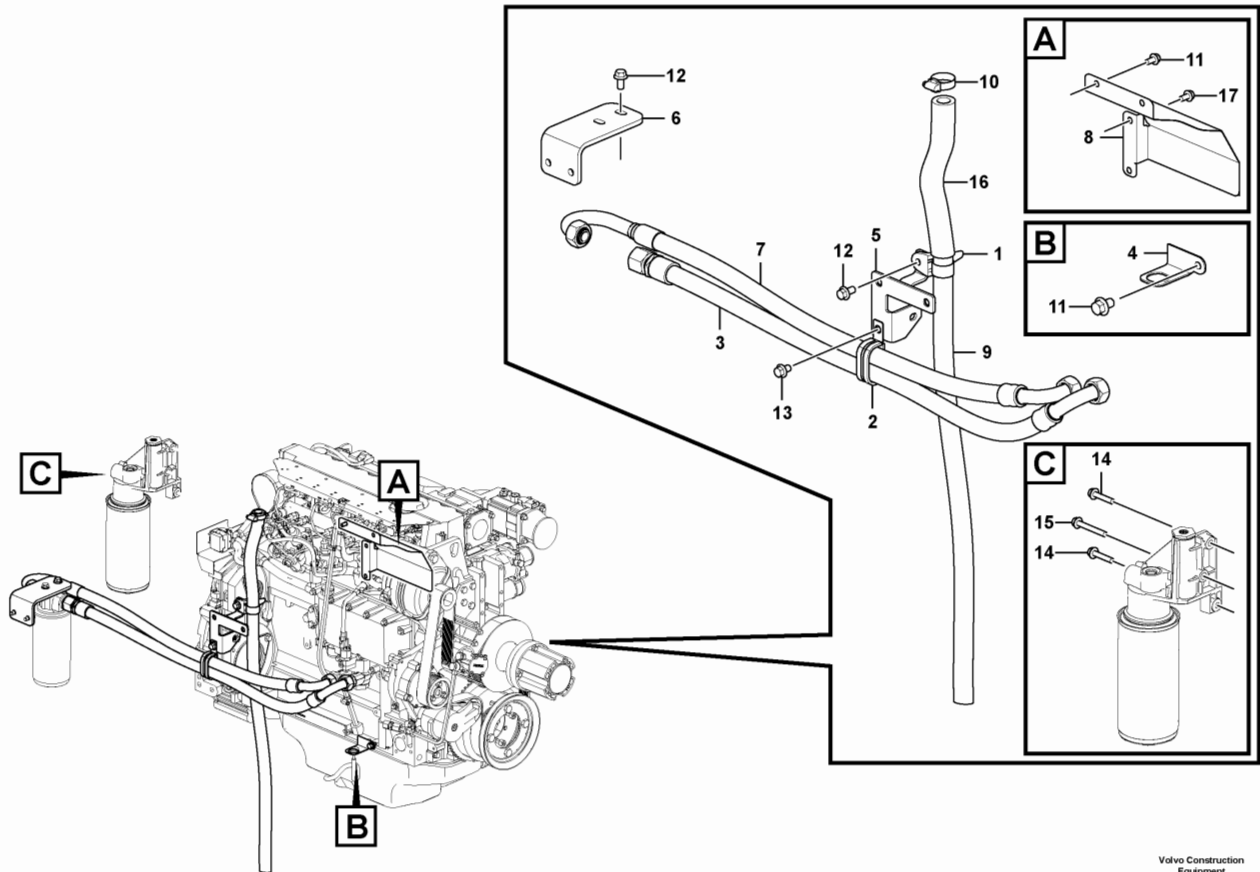


Volvo Construction
Equipment
1060428

Section option	Kit	Option description
VOE17387726		Engine D5 TIER3
VOE53641263		Engine D5E T3

Pos	Part	Q1	Q2	Q3	Q4	Q5	PS	Kit	Description	Option(s)	Remark
1	VOE17387726	1							Engine	VOE829713 5	REMAN VOE9017387726
1	VOE53641263	1					SS		Engine	VOE539996 66	REMAN VOE9017387726, VOE9053641263
2	VOE60100000	1							Electronic unit		REMAN VOE9060100000
3	VOE21071773	4							Rubber element		

Date: 9/26/2025	Image id: 1087402	Catalogue: 20763	Model: EC210D
Brand: Volvo	Serial: 230001-, 240001-, 250001-, 280001-	Group/Section: 210/200	Title: Engine 8297135



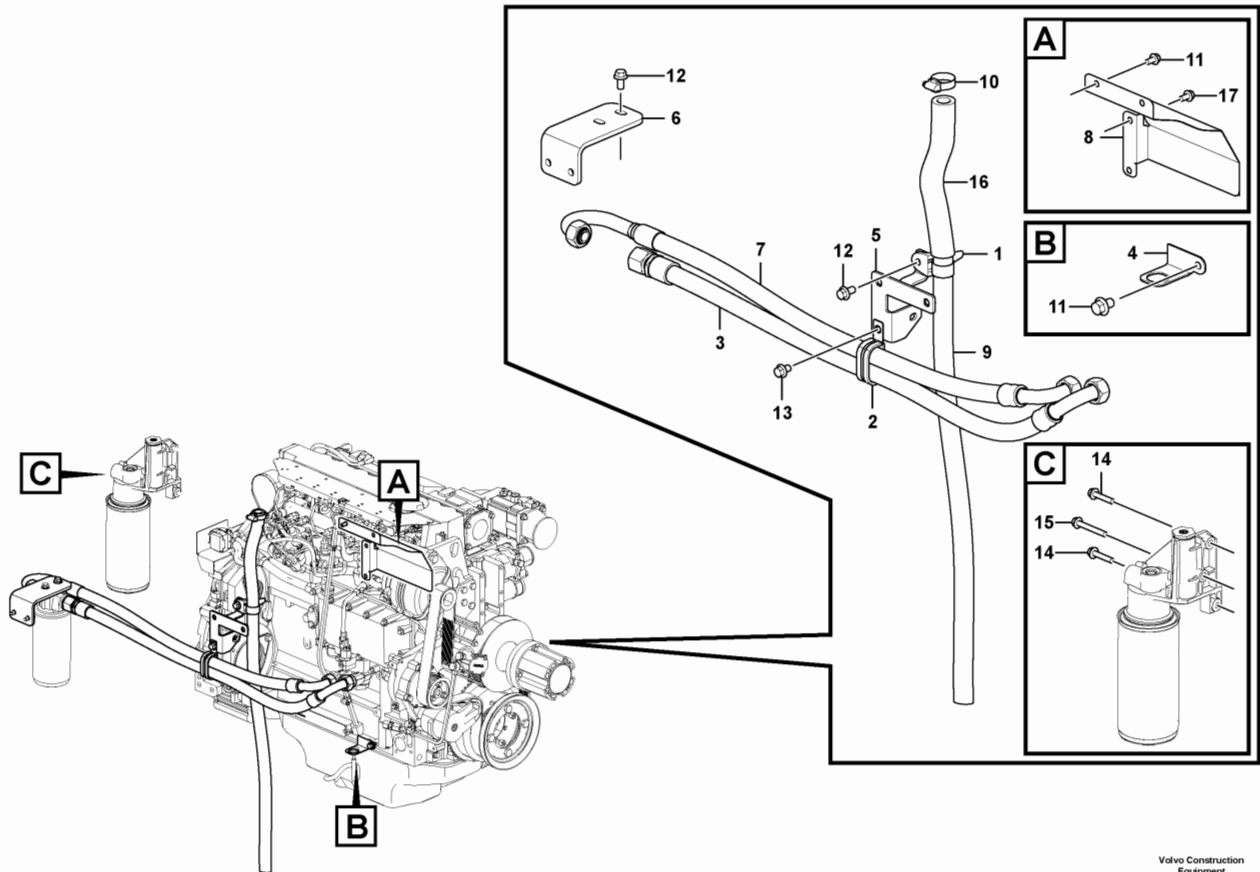
Volvo Construction
Equipment
1087402

Section option	Kit	Option description
VOE8297135		Engine Installation

Pos	Part	Q1	Q2	Q3	Q4	Q5	PS	Kit	Description	Option(s)	Remark
1	VOE14558810	1							Strip clamp		D5 TIER3
2	VOE14507451	1							Clip		
3	VOE14614899	1							Hose		
4		1					NS		Bracket		
5		1					NS		Bracket		S/N -231788, -240805, -283756
5		1					NS		Bracket		S/N 231789-, 240806-, 283757-
6		1					NS		Plate		
7	VOE14685034	1							Hose		
8	VOE14704237	1							Cover		
9	VOE14880502	1							Cooling hose		S/N -280646 S/N -230122,S/N -250026

9	VOE14718495	1							Hose		S/N 280647-280917 S/ N 230123-230351 S/N 250027-250322
9	VOE14723972	1							Hose		S/N 280918- S/N 230352- S/N 250323-
10	VOE943475	1							Hose clamp		S/N -241151, -254214, -283885
10	VOE14884066	1							Hose clamp		S/N 241152-, 254215- 283886-
11	VOE984733	3							Flange screw		(VOE946440)
12	VOE946441	1							Flange screw		
13	VOE946471	1							Flange screw		
14	VOE60113084	2							Flange screw		(VOE13947760)
15	VOE60113088	1							Flange screw		(VOE13965180)
16		1					NS		Guard		S/N -283756
16	VOE14882687	1							Hose protection		S/N 283757-
17	VOE60113019	2							Flange screw		

Date: 9/26/2025	Image id: 1087402	Catalogue: 20763	Model: EC210D
Brand: Volvo	Serial: 230001-, 240001-, 250001-, 280001-	Group/Section: 210/210	Title: Engine 53999666



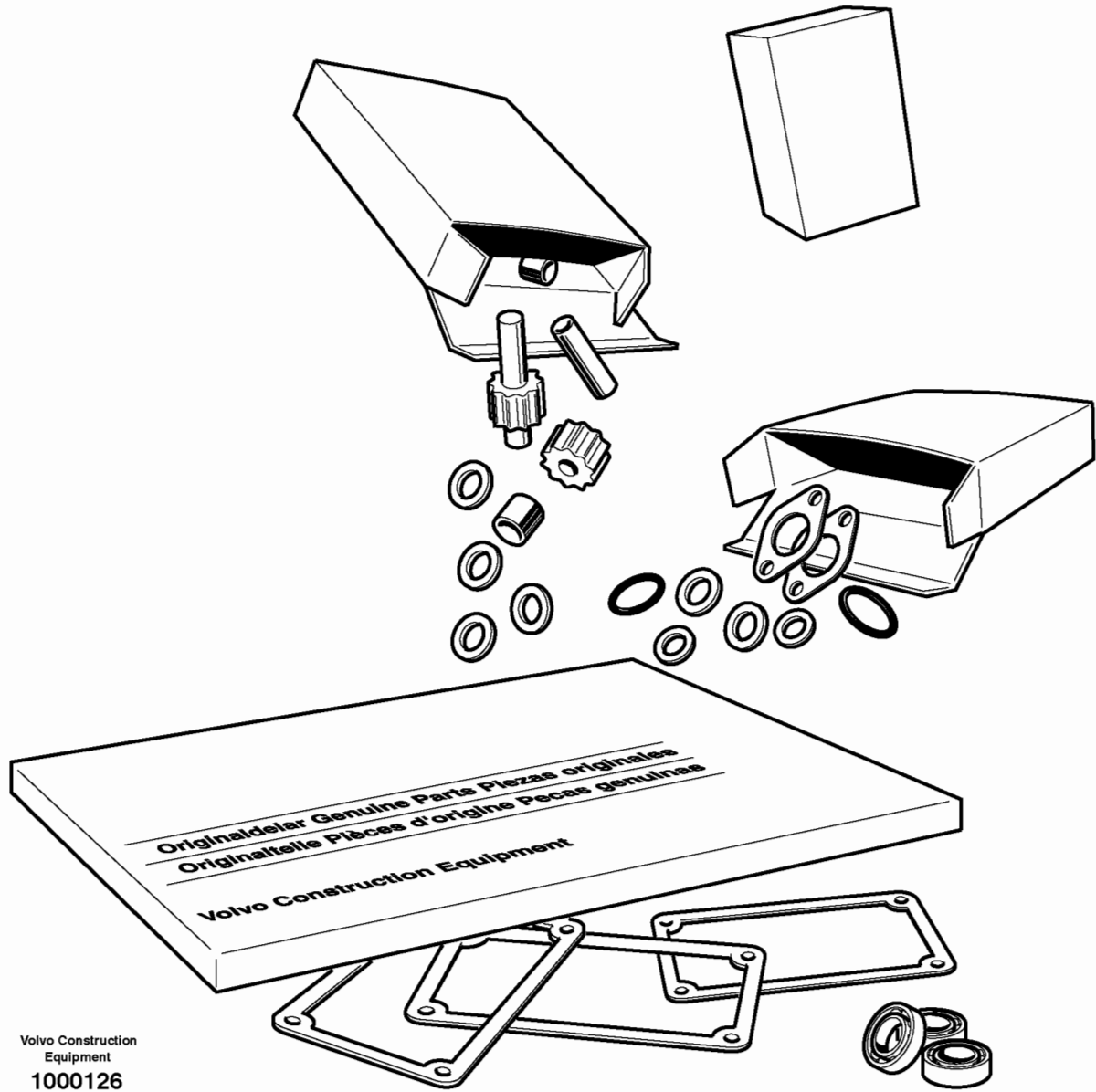
Volvo Construction
Equipment
1087402

Section option	Kit	Option description
VOE53999666		Engine Installation D5E T3 CN

Pos	Part	Q1	Q2	Q3	Q4	Q5	PS	Kit	Description	Option(s)	Remark
1	VOE14558810	1							Strip clamp		
2	VOE14507451	1							Clip		
3	VOE14614899	1							Hose		
4		1					NS		Bracket		
5		1					NS		Bracket		
6		1					NS		Plate		
7	VOE14685034	1							Hose		
8	VOE14704237	1							Cover		
9	VOE14723972	1							Hose		
10	VOE943475	1							Hose clamp		
11	VOE984733	3							Flange screw		
12	VOE946441	1							Flange screw		

13	VOE946471	1							Flange screw		
14	VOE60113084	2							Flange screw		
15	VOE984740	1							Flange screw		
16	VOE14882687	1							Hose protection		
17	VOE60113019	2							Flange screw		

Date: 9/26/2025	Image id: 1000126	Catalogue: 20763	Model: EC210D
Brand: Volvo	Serial: 230001-, 240001-, 250001-, 280001-	Group/Section: 210/300	Title: Repair kits for engine 17387726, 53641263

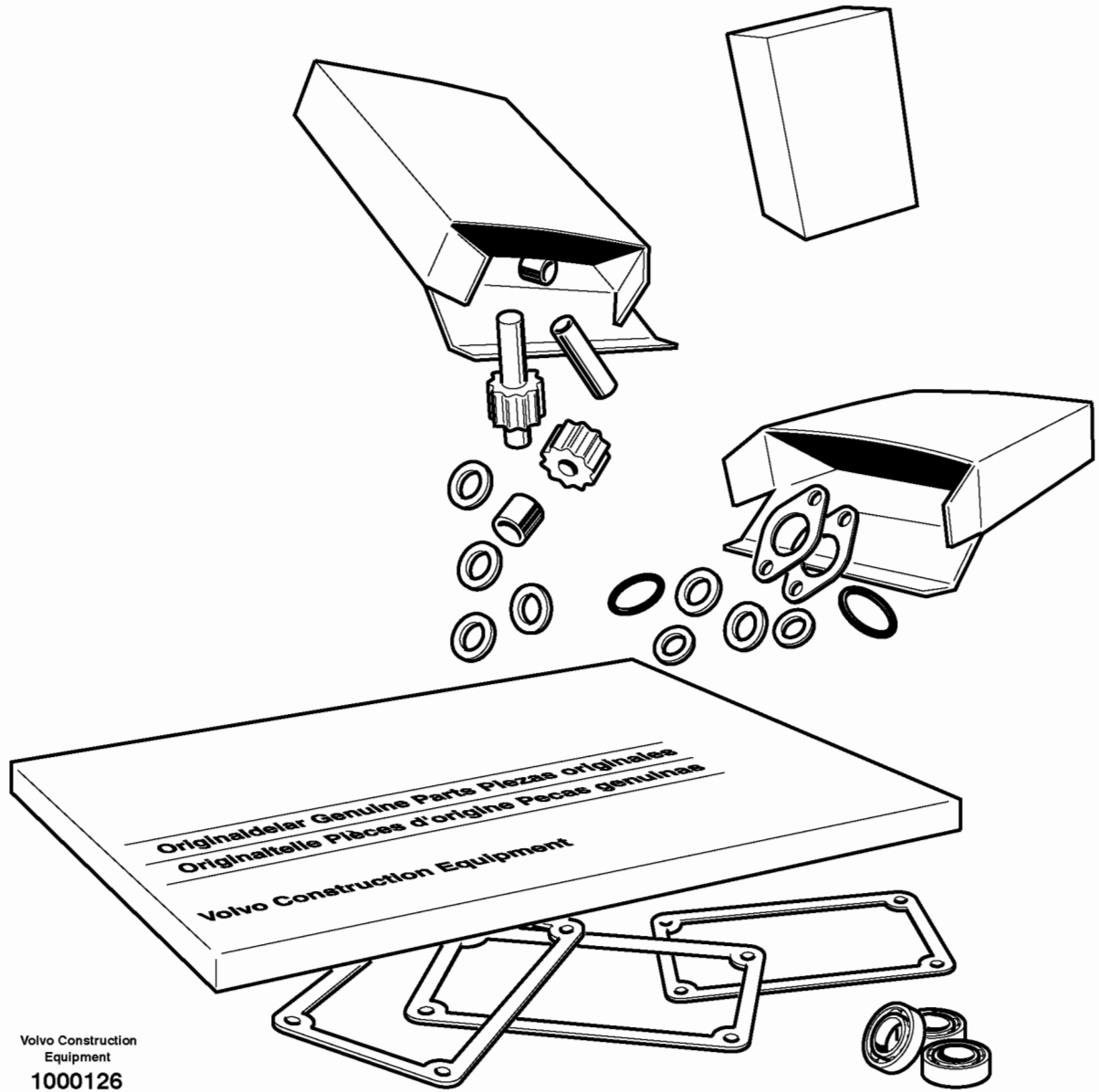


Section option	Kit	Option description
VOE17387726		Engine D5 TIER3
VOE53641263		Engine D5E T3

Pos	Part	Q1	Q2	Q3	Q4	Q5	PS	Kit	Description	Option(s)	Remark
	VOE15038635	1							Overhaul kit		
	VOE15038630	1							•Cylinder head kit		See ref 210/400
	VOE20865990	1							•Cyl Liner Kit		See ref 213/100
	VOE20405747	1							•Gasket		

VOE20405843	1								•Gasket		
VOE20405888	1								•Gasket		
VOE21306356	1								•Lip seal		(VOE21486084)
VOE21486081	1								•Lip seal		
VOE21679835	1								•Gasket		
VOE20792162	2								•O-ring		
VOE20798076	1								•O-ring		
VOE20405691	1								•Gasket		
VOE20405728	1								•Sealing ring		
VOE20405907	4								•Sealing ring		

Date: 9/26/2025	Image id: 1000126	Catalogue: 20763	Model: EC210D
Brand: Volvo	Serial: 230001-, 240001-, 250001-, 280001-	Group/Section: 210/400	Title: Repair kits for engine

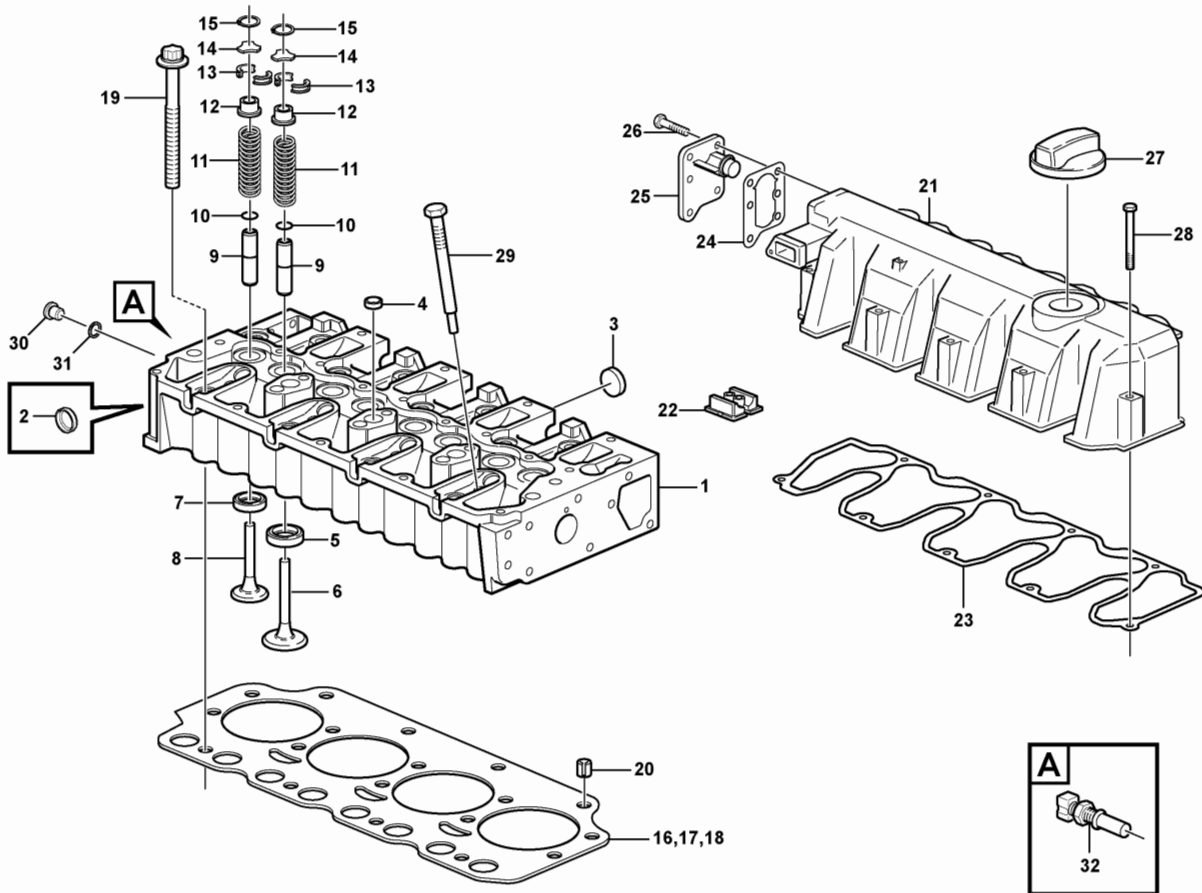


Pos	Part	Q1	Q2	Q3	Q4	Q5	PS	Kit	Description	Option(s)	Remark
	VOE15038630								Cylinder head kit		
	VOE11700334	18							•Screw		
	VOE11700348	8							•O-ring		
	VOE13947281	4							•Gasket		
	VOE13947621	2							•Plane gasket		
	VOE23935512	8							•Valve guide		(VOE20405897)See footnote 4914)
	VOE20459172	1							•Sealing ring		
	VOE20505959	8							•Hexagon nut		

VOE20559834	1					SS		•Gasket		
VOE21456567	8					SS		•Stud		
VOE20591706	2					SS		•Gasket		
VOE20798827	4							•O-ring		
VOE20799064	4							•Sealing ring		
VOE20847865	8							•Spacer Sleeve		
VOE23479847	1							•Gasket		(VOE20858564)
VOE20933261	4							•Gasket		
VOE20970720	1							•Cylinder head gasket		
VOE20970725	1							•Cylinder head gasket		
VOE20972267	1							•Valve gasket		
VOE21108676	2							•Sealing ring		(VOE21022796)
VOE21027485	1							•Gasket		
VOE21364297	2							•Pressure pipe		
VOE21364344	1							•Pressure pipe		
VOE21364346	1							•Pressure pipe		
VOE21364335	2							•Pressure pipe		
VOE993677	1							•Gasket		
VOE11700426	4							•Sealing ring		
VOE20405567	4							•Delivery pipe		
VOE20405769	1							•Sealing ring		
VOE20412325	2							•Sealing ring		
VOE20729227	4							•Sealing ring		
VOE21087699	2							•O-ring		
VOE21108673	3							•Sealing ring		
VOE21154146	1							•Sleeve		

4914) The final machining of the valve guides needs to be performed in combination with the related cylinder head and valves.

Date: 9/26/2025	Image id: 1087187	Catalogue: 20763	Model: EC210D
Brand: Volvo	Serial: 230001-, 240001-, 250001-, 280001-	Group/Section: 211/100	Title: Cylinder head 17387726, 53641263



Volvo Construction
Equipment
1087187

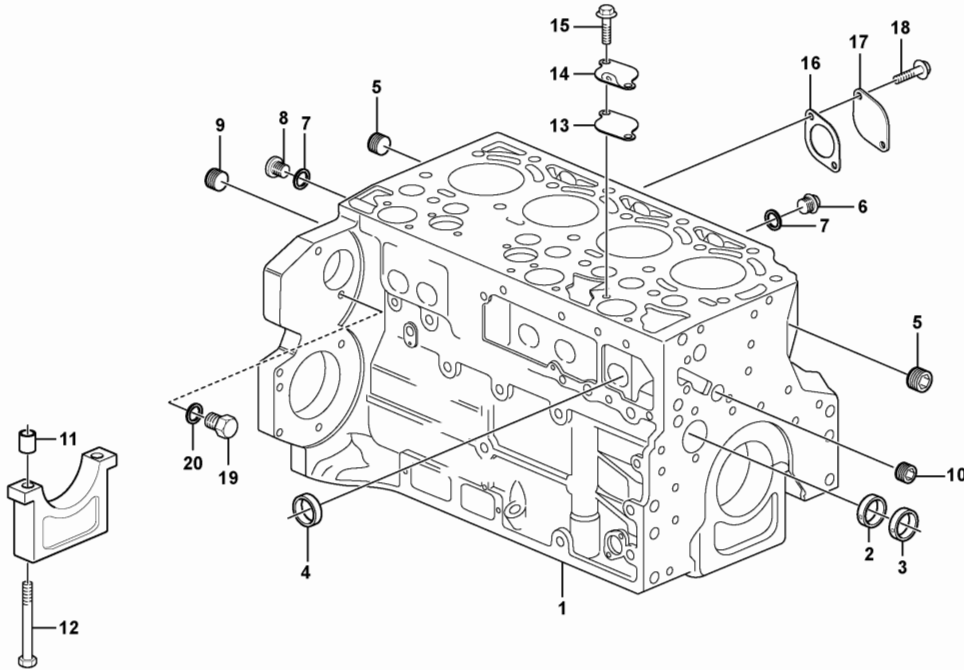
Section option	Kit	Option description
VOE17387726		Engine D5 TIER3
VOE53641263		Engine D5E T3

Pos	Part	Q1	Q2	Q3	Q4	Q5	PS	Kit	Description	Option(s)	Remark
1	VOE20970527	1							Cylinder head		REMAN VOE9020970527, VOE9023095544
2	VOE20914266	3							•Core Plug		
3	VOE20799722	3							•Plug		
4	VOE20412733	3							•Core plug		
5	VOE20459962	4							•Valve seat		
6	VOE20758481	4							•Inlet valve		
7	VOE20845144	4							•Valve seat		
8	VOE21739130	4							•Exhaust valve		
9	VOE23935512	8							•Valve guide		(VOE20405897)See footnote 4914)

10	VOE11700348	8							•O-ring		
11	VOE11700347	8							•Valve spring		
12	VOE20847155	8							•Retainer		
13	VOE11700345	16							•Valve sleeve		
14	VOE20840807	8							•Thrust washer		
15	VOE20840772	8							•Lock ring		
16		1					NS		Cyl Head Gasket		THICK = 1,4 MM
17	VOE20970720	1							Cylinder head gasket		THICK = 1,5 MM
18	VOE20970725	1							Cylinder head gasket		THICK = 1,6 MM
19	VOE11700334	18							Screw		
20	VOE20405521	2							Guide pin		
21	VOE21455723	1					SS		Valve cover		
22	VOE20412600	1							•Cap		
23	VOE20972267	1							•Valve gasket		
24	VOE20840801	1							•Gasket		
25	VOE20933359	1							•Oil Separator		
26	VOE20797542	6							•Hexagon screw		
27	VOE20412589	1							Filler cap		
28	VOE22278501	9							Hexagon screw		
29	VOE21455743	1							Plug		
30	VOE20450683	1							Adapter		
31	VOE13947628	1							Plane gasket		
32	VOE21531072	1							Temperature sensor		

4914) The final machining of the valve guides needs to be performed in combination with the related cylinder head and valves.

Date: 9/26/2025	Image id: 1125213	Catalogue: 20763	Model: EC210D
Brand: Volvo	Serial: 230001-, 240001-, 250001-, 280001-	Group/Section: 212/100	Title: Cylinder block 17387726 ENG -12676767

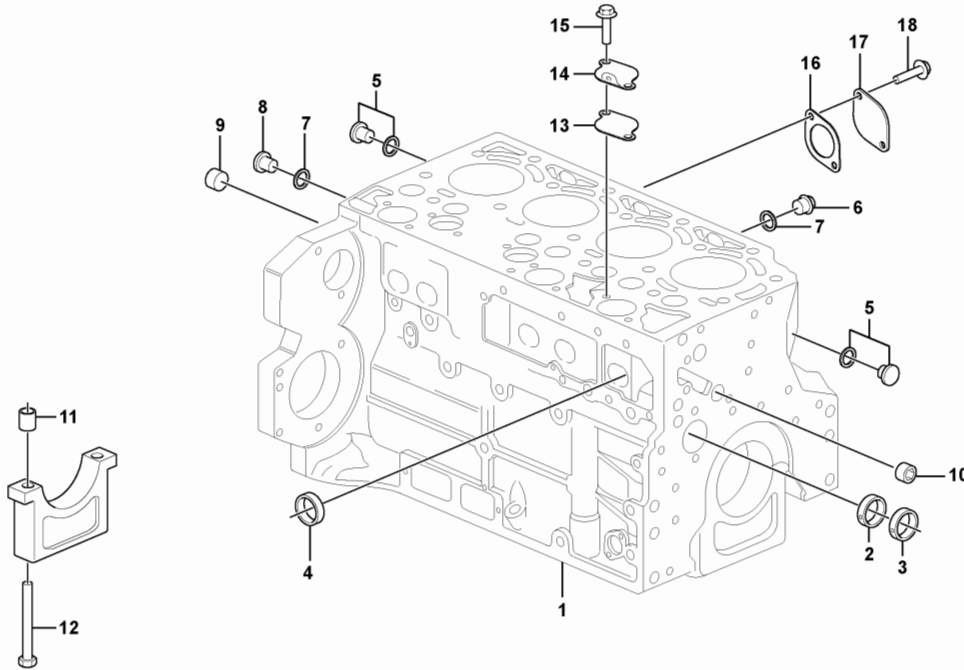


Volvo Construction
Equipment
1125213

Section option	Kit	Option description
VOE17387726		Engine D5 TIER3

Pos	Part	Q1	Q2	Q3	Q4	Q5	PS	Kit	Description	Option(s)	Remark
1	VOE21025096	1							Crankcase		
2	VOE11700285	1							•Bearing bushing		
3	VOE11700284	4							•Bearing bushing		
4	VOE20405721	6							•Core plug		
5	VOE20508600	2							•Plug		
6	VOE20405716	2							•Plug		
7	VOE13969011	3							•Gasket		
8	VOE945065	1							•Plug		
9	VOE20785813	1							•Plug		
10	VOE20405719	1							•Plug		
11	VOE11700278	10							•Bushing		
12	VOE20405583	10							•Bolt		

Date: 9/26/2025	Image id: 1115301	Catalogue: 20763	Model: EC210D
Brand: Volvo	Serial: 230001-, 240001-, 250001-, 280001-	Group/Section: 212/110	Title: Cylinder block 17387726 ENG 12676768-



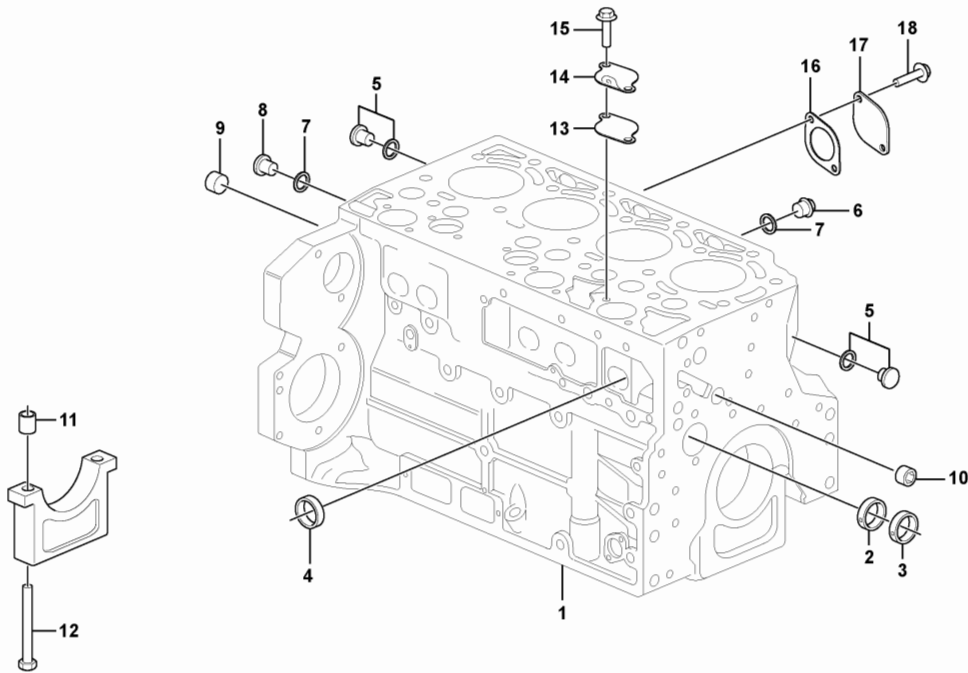
Volvo Construction
Equipment
1115301

Section option	Kit	Option description
VOE17387726		Engine D5 TIER3

Pos	Part	Q1	Q2	Q3	Q4	Q5	PS	Kit	Description	Option(s)	Remark
1	VOE21025096	1							Crankcase		
2	VOE11700285	1							•Bearing bushing		
3	VOE11700284	4							•Bearing bushing		
4	VOE20405721	6							•Core plug		
5	VOE24131681	2							•Hollow screw		
5	VOE60114081	1							••Plug		
5	VOE993677	1							••Gasket		
6	VOE20405716	2							•Plug		
7	VOE13969011	3							•Gasket		
8	VOE945065	1							•Plug		
9	VOE20785813	1							•Plug		
10	VOE20405719	1							•Plug		

11	VOE11700278	10							•Bushing		
12	VOE20405583	10							•Bolt		
13	VOE20933203	1							Gasket		
14	VOE20840812	1							Cover		
15	VOE20405792	2							Screw		
16	VOE20412341	1							Gasket		
17	VOE21180405	1							Flange		
18	VOE20405885	2							Screw		

Date: 9/26/2025	Image id: 1115301	Catalogue: 20763	Model: EC210D
Brand: Volvo	Serial: 230001-, 240001-, 250001-, 280001-	Group/Section: 212/120	Title: Cylinder block 53641263



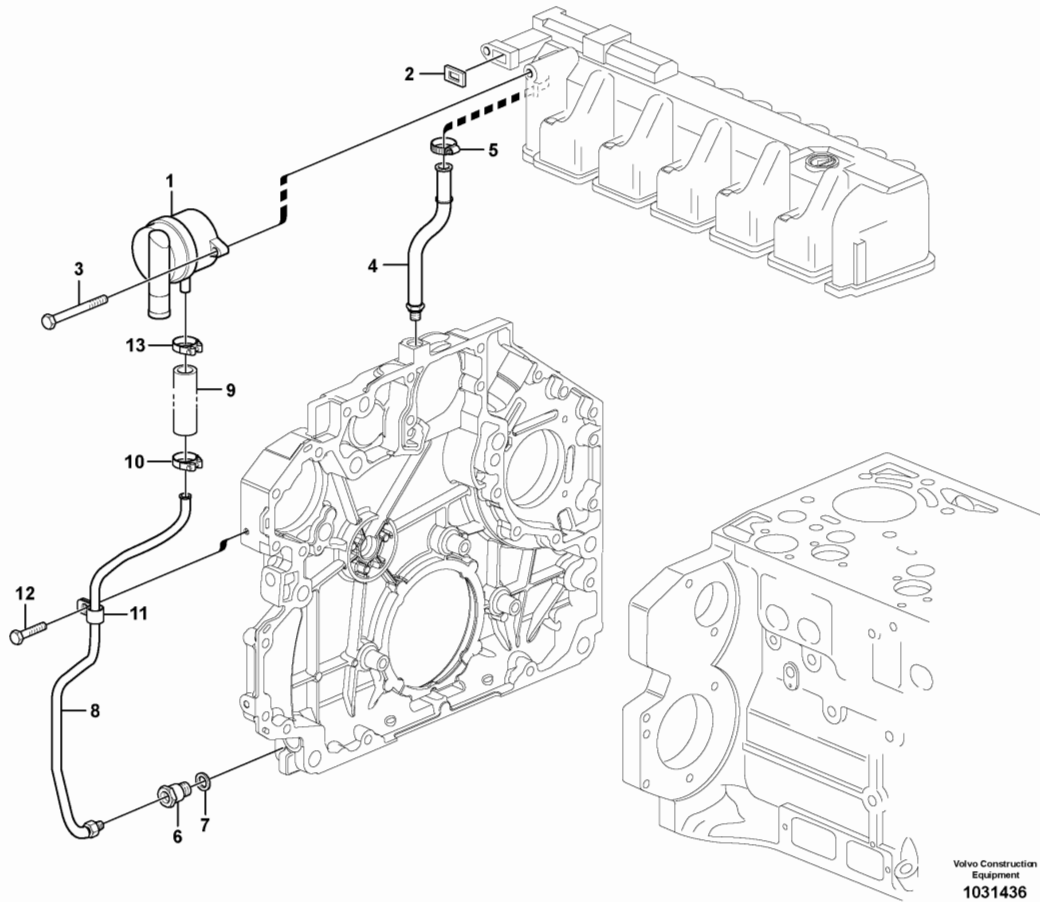
Volvo Construction
Equipment
1115301

Section option	Kit	Option description
VOE53641263		Engine D5E T3

Pos	Part	Q1	Q2	Q3	Q4	Q5	PS	Kit	Description	Option(s)	Remark
1	VOE21025096	1							Crankcase		
2	VOE11700285	1							•Bearing bushing		
3	VOE11700284	4							•Bearing bushing		
4	VOE20405721	6							•Core plug		
5	VOE24131681	2							•Hollow screw		
5	VOE60114081	1							••Plug		
5	VOE993677	1							••Gasket		
6	VOE20405716	2							•Plug		
7	VOE13969011	3							•Gasket		
8	VOE945065	1							•Plug		
9	VOE20785813	1							•Plug		
10	VOE20405719	1							•Plug		

11	VOE11700278	10							•Bushing		
12	VOE20405583	10							•Bolt		
13	VOE20933203	1							Gasket		
14	VOE20840812	1							Cover		
15	VOE20405792	2							Screw		
16	VOE20412341	1							Gasket		
17	VOE21180405	1							Flange		
18	VOE20405885	2							Screw		

Date: 9/26/2025	Image id: 1031436	Catalogue: 20763	Model: EC210D
Brand: Volvo	Serial: 230001-, 240001-, 250001-, 280001-	Group/Section: 212/200	Title: Crankcase ventilation 17387726, 53641263

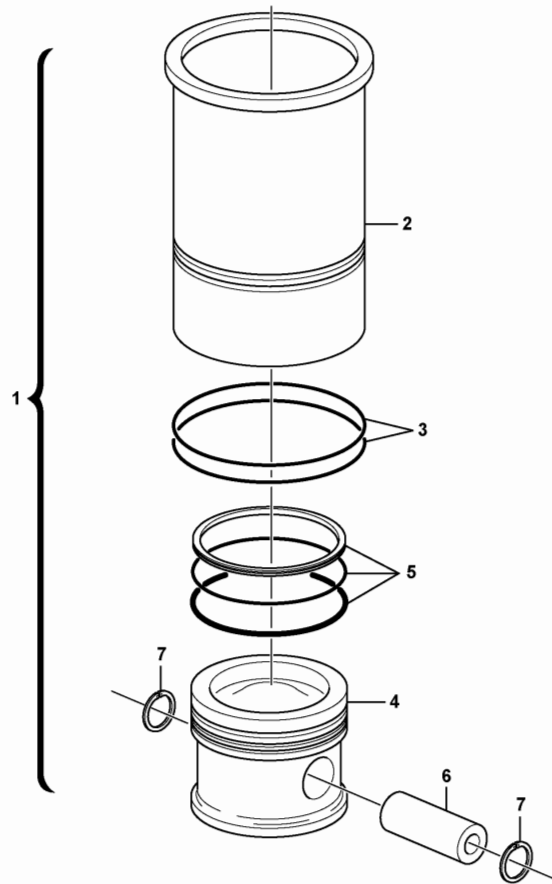


Section option	Kit	Option description
VOE17387726		Engine D5 TIER3
VOE53641263		Engine D5E T3

Pos	Part	Q1	Q2	Q3	Q4	Q5	PS	Kit	Description	Option(s)	Remark
1	VOE20930510	1							Oil separator		
2	VOE21038626	1							•Plane gasket		
3	VOE20405504	2							Screw		
4	VOE20971646	1							Oil return pipe		
5	VOE20799673	1							Hose clamp		
6	VOE21496705	1							Drain valve		
7	VOE20460026	1							Sealing ring		
8	VOE20840219	1							Oil return pipe		
9	VOE20971632	1							•Rubber hose		
10	VOE20971607	1							•Hose clamp		
11	VOE20798831	1							•Attaching clamp		

12	VOE20405729	1							Screw		
13	VOE20971607	1							Hose clamp		

Date: 9/26/2025	Image id: 1026946	Catalogue: 20763	Model: EC210D
Brand: Volvo	Serial: 230001-, 240001-, 250001-, 280001-	Group/Section: 213/100	Title: Cylinder liner and piston 17387726, 53641263

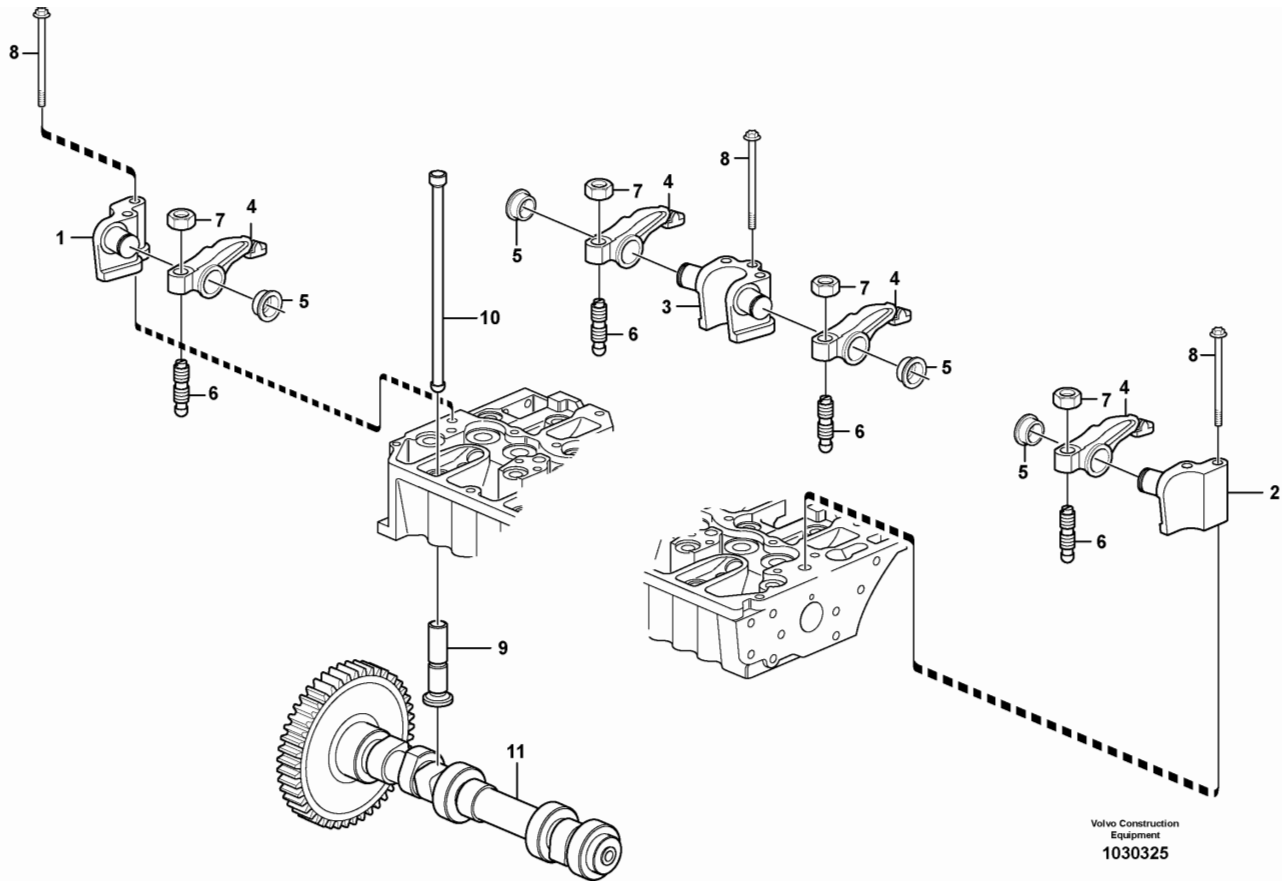


Volvo Construction
Equipment
1026946

Section option	Kit	Option description
VOE17387726		Engine D5 TIER3
VOE53641263		Engine D5E T3

Pos	Part	Q1	Q2	Q3	Q4	Q5	PS	Kit	Description	Option(s)	Remark
1	VOE20865990	4							Cyl Liner Kit		
2		4					NS		•Cylinder Liner		
3	VOE20412762	8							•O-ring		
4		4					NS		•Piston		
5	VOE21299547	4							•Piston ring kit		
6	VOE20405577	4							•Gudgeon pin		
7	VOE20405576	8							•Snap ring		

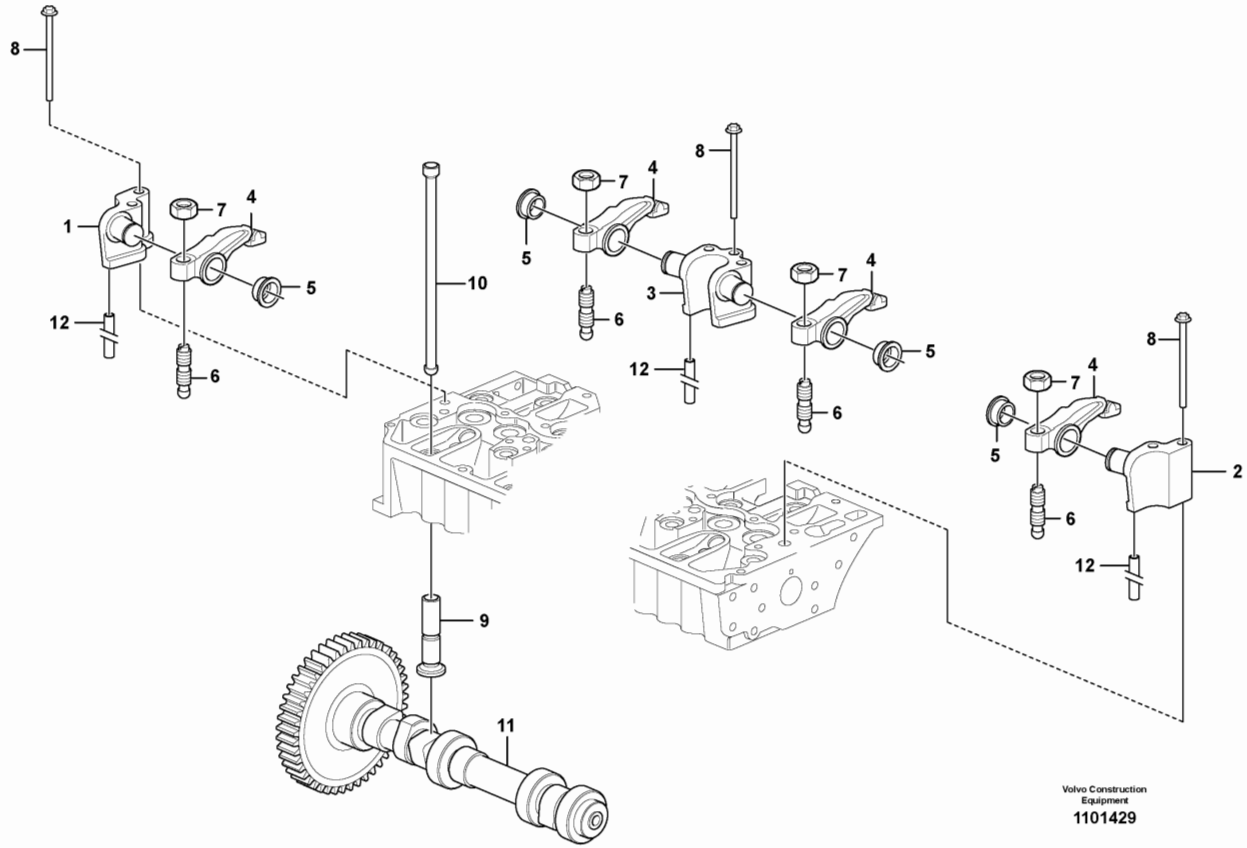
Date: 9/26/2025	Image id: 1030325	Catalogue: 20763	Model: EC210D
Brand: Volvo	Serial: 230001-, 240001-, 250001-, 280001-	Group/Section: 214/100	Title: Valve mechanism 17387726 ENG -12301783



Section option	Kit	Option description
VOE17387726		Engine D5 TIER3

Pos	Part	Q1	Q2	Q3	Q4	Q5	PS	Kit	Description	Option(s)	Remark
1	VOE20805520	1					SS		Rocker arm shaft		
2	VOE23101955	1							Bracket		(VOE20805512)
3	VOE23102364	3							Bracket		(VOE20805516)
4	VOE21448926	8							Rocker arm		(VOE20792876)
5	VOE20794115	8							Retaining ring		
6	VOE20913851	8							Adjusting Screw		
7	VOE11700373	8							Nut		
8	VOE20405723	10							Screw		
9	VOE20792475	8							Tappet		
10	VOE21456429	8							Push rod		(VOE20405534)
11	VOE22216579	1							Camshaft		(VOE20978568)

Date: 9/26/2025	Image id: 1101429	Catalogue: 20763	Model: EC210D
Brand: Volvo	Serial: 230001-, 240001-, 250001-, 280001-	Group/Section: 214/110	Title: Valve mechanism 17387726 ENG 12301784-

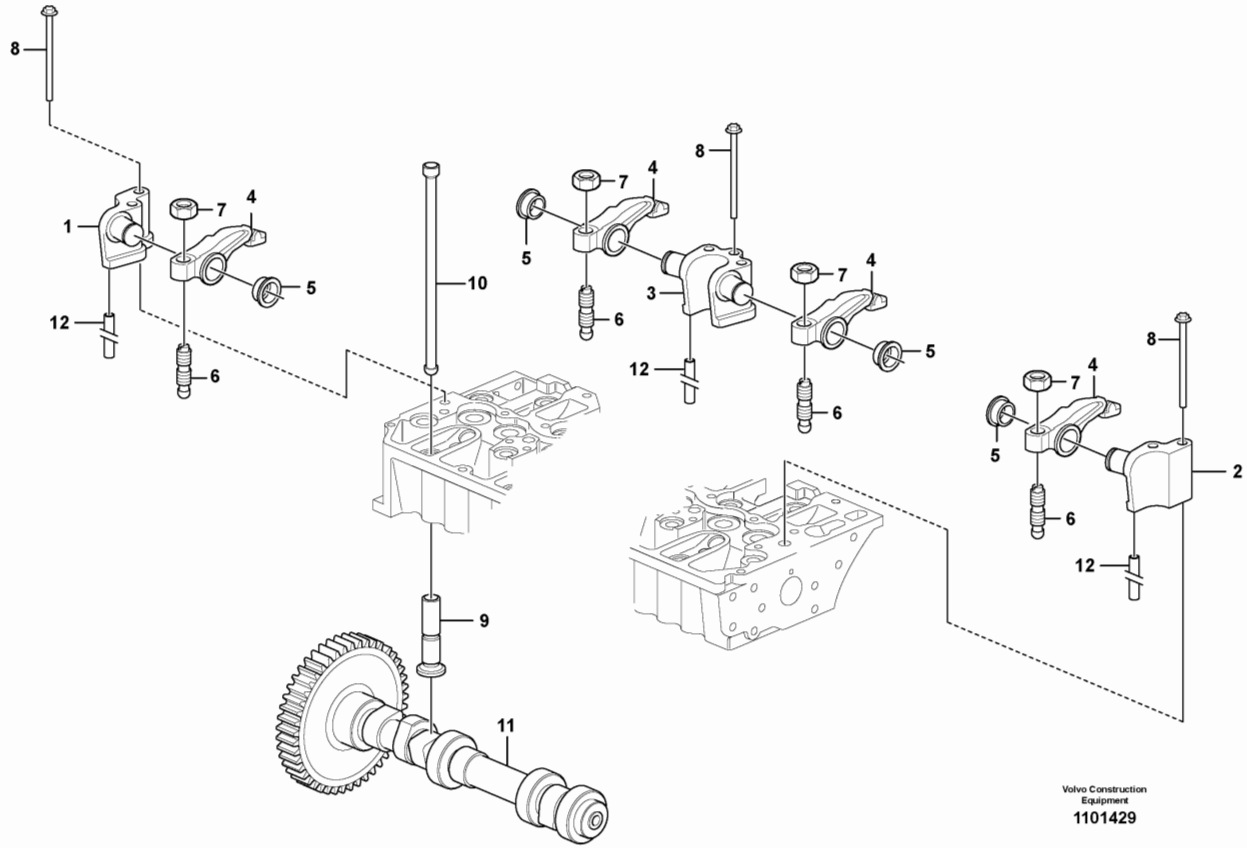


Volvo Construction
Equipment
1101429

Section option	Kit	Option description
VOE17387726		Engine D5 TIER3

Pos	Part	Q1	Q2	Q3	Q4	Q5	PS	Kit	Description	Option(s)	Remark
1	VOE23935622	1							Bracket		
2	VOE23101955	1							Bracket		
3	VOE23102364	3							Bracket		
4	VOE21448926	8							Rocker arm		
5	VOE20794115	8							Retaining ring		
6	VOE20913851	8							Adjusting Screw		
7	VOE11700373	8							Nut		
8	VOE20405723	10							Screw		
9	VOE11700366	8							Tappet		
10	VOE21456429	8							Push rod		(VOE20405534)
11	VOE22216579	1							Camshaft		
12	VOE20790837	5							Pin		

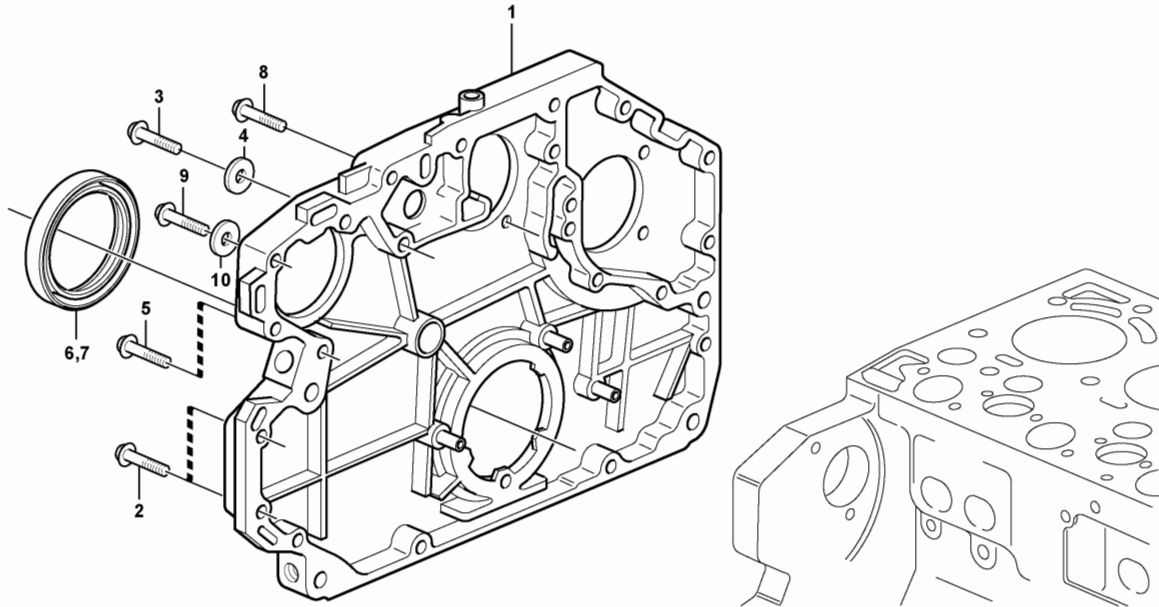
Date: 9/26/2025	Image id: 1101429	Catalogue: 20763	Model: EC210D
Brand: Volvo	Serial: 230001-, 240001-, 250001-, 280001-	Group/Section: 214/120	Title: Valve mechanism 53641263



Section option	Kit	Option description
VOE53641263		Engine D5E T3

Pos	Part	Q1	Q2	Q3	Q4	Q5	PS	Kit	Description	Option(s)	Remark
1	VOE23935622	1							Bracket		
2	VOE23101955	1							Bracket		
3	VOE23102364	3							Bracket		
4	VOE21448926	8							Rocker arm		
5	VOE20794115	8							Retaining ring		
6	VOE20913851	8							Adjusting Screw		
7	VOE11700373	8							Nut		
8	VOE20405723	10							Screw		
9	VOE11700366	8							Tappet		
10	VOE21456429	8							Push rod		
11	VOE22216579	1							Camshaft		
12	VOE20790837	5							Pin		

Date: 9/26/2025	Image id: 1026977	Catalogue: 20763	Model: EC210D
Brand: Volvo	Serial: 230001-, 240001-, 250001-, 280001-	Group/Section: 215/100	Title: Timing gear casing 17387726

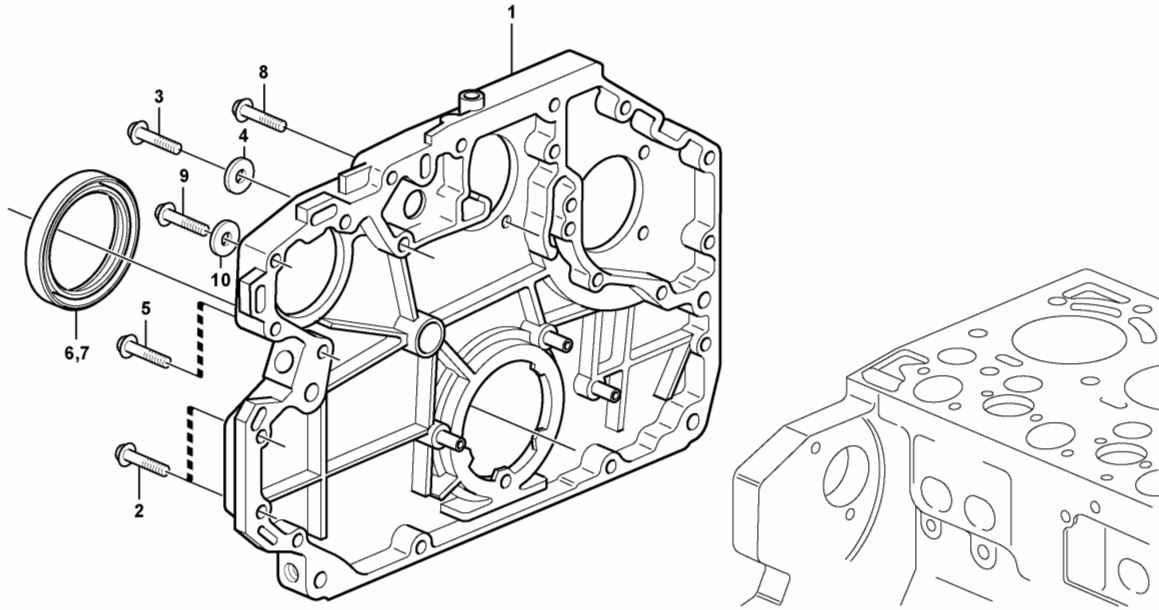


Volvo Construction
Equipment
1026977

Section option	Kit	Option description
VOE17387726		Engine D5 TIER3

Pos	Part	Q1	Q2	Q3	Q4	Q5	PS	Kit	Description	Option(s)	Remark
1	VOE22039480	1					SS		Timing gear casing		(VOE20972356)ENG-12313715
1	VOE23378541	1							Flywheel housing		ENG 12313716-
3	VOE20412324	12							Screw		
3	VOE20405653	2							Screw		
4	VOE13955900	2							Washer		
5	VOE20405709	3							Screw		
6	VOE21306356	1							Lip seal		(VOE20412286)
7	VOE21306356	1							Lip seal		(VOE20412286)
8	VOE20405672	4							Screw		(VOE20459160)
9	VOE20852053	2							Hexagon screw		
10	VOE20460226	1							Washer		

Date: 9/26/2025	Image id: 1026977	Catalogue: 20763	Model: EC210D
Brand: Volvo	Serial: 230001-, 240001-, 250001-, 280001-	Group/Section: 215/110	Title: Timing gear casing 53641263

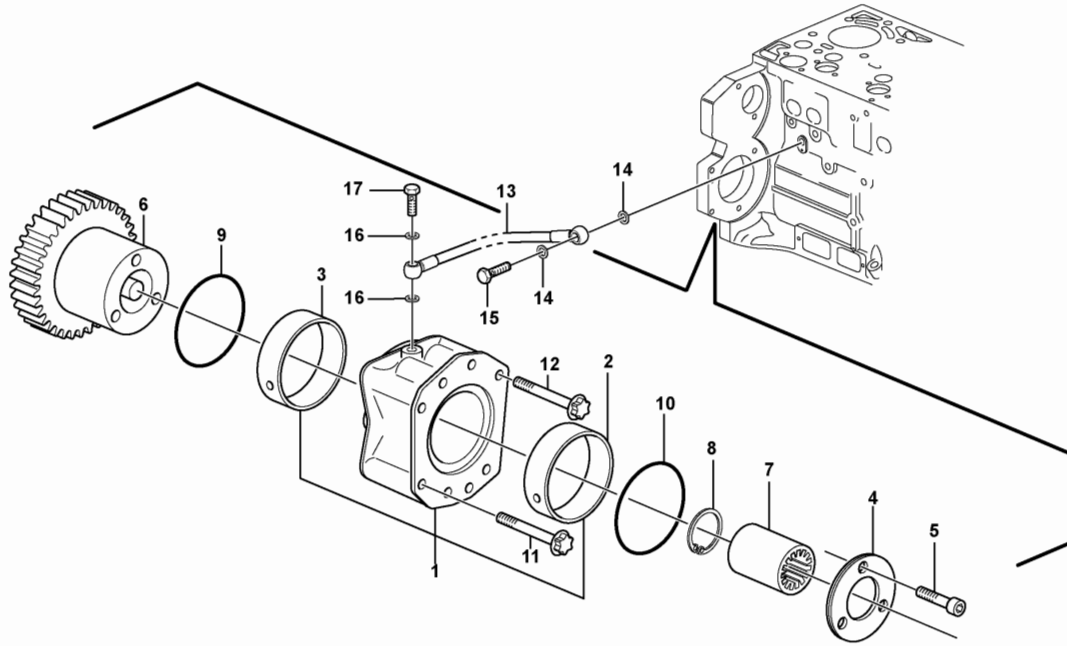


Volvo Construction
Equipment
1026977

Section option	Kit	Option description
VOE53641263		Engine D5E T3

Pos	Part	Q1	Q2	Q3	Q4	Q5	PS	Kit	Description	Option(s)	Remark
1	VOE23378541	1							Flywheel housing		
3	VOE20412324	12							Screw		
3	VOE20405653	2							Screw		
4	VOE13955900	2							Washer		
5	VOE20405709	3							Screw		
6	VOE21306356	1							Lip seal		(VOE21486084)
7	VOE21306356	1							Lip seal		(VOE21486084)
8	VOE20405672	4							Screw		
9	VOE20852053	2							Hexagon screw		
10	VOE20460226	1							Washer		

Date: 9/26/2025	Image id: 1074389	Catalogue: 20763	Model: EC210D
Brand: Volvo	Serial: 230001-, 240001-, 250001-, 280001-	Group/Section: 215/400	Title: Pump drive power take-off 8308943



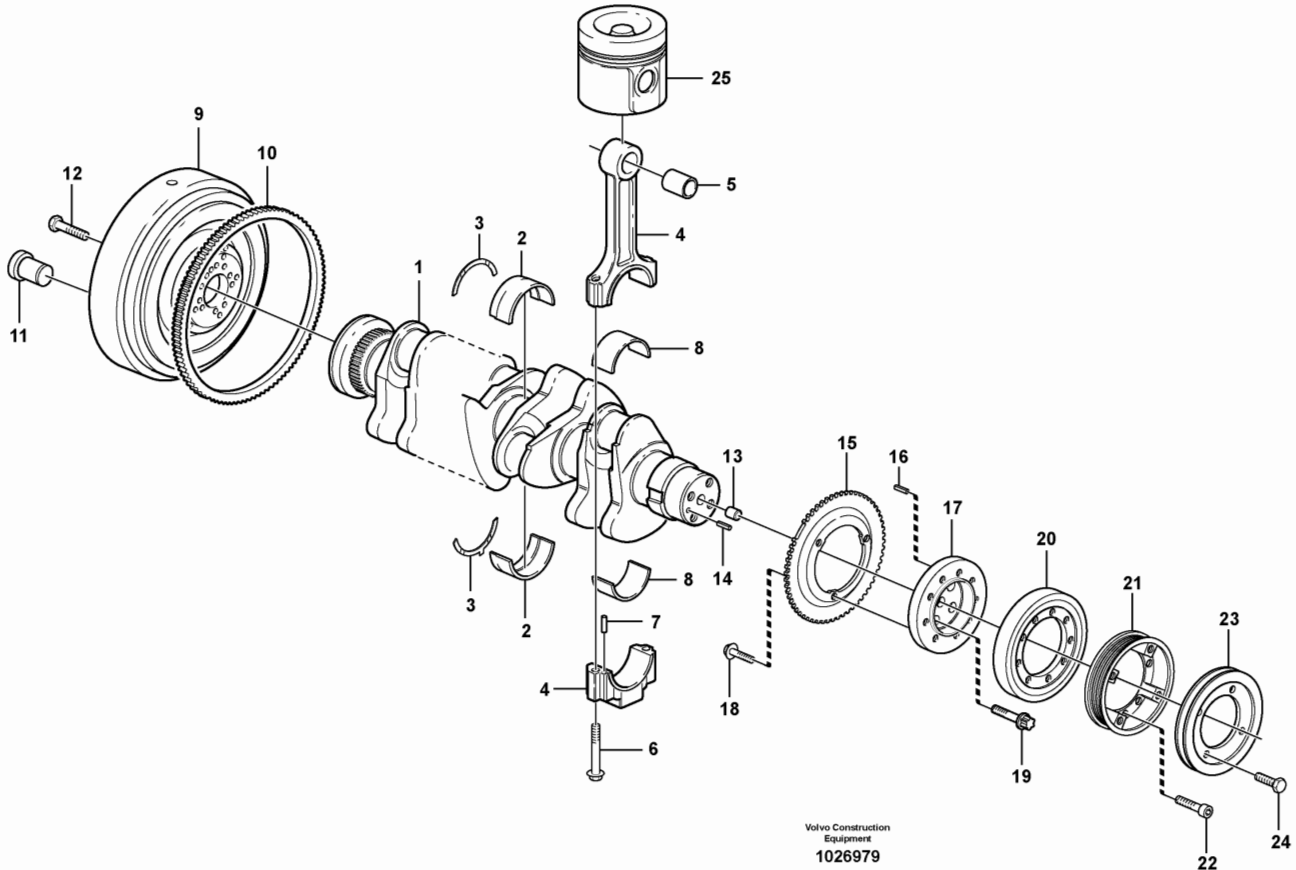
Volvo Construction
Equipment
1074389

Section option	Kit	Option description
VOE8308943		Slope/rotator Piping

Pos	Part	Q1	Q2	Q3	Q4	Q5	PS	Kit	Description	Option(s)	Remark
	VOE21664632	1							Kit		
	VOE21250587	1							•Hydraulic pump		
1	VOE20450805	1							••Bearing flange		
2	VOE20450809	1							•••Bushing		
3	VOE20450807	1							•••Bushing		
4	VOE20450811	1							••Thrust washer		
5	VOE20450822	3							••Screw		
6	VOE21249506	1							••Gear		
7	VOE20459123	1							•Sleeve		
8	VOE20450815	1							••Snap ring		
9	VOE20450818	1							•O-ring		
10	VOE20450819	1							•O-ring		

11	VOE21077470	2							•Hex. socket screw		
12	VOE22316512	2							•Six point screw		
13	VOE20459170	1							•Oil line		
14	VOE13947621	2							•Plane gasket		
15	VOE60113509	1							•Hollow screw		
16	VOE13947281	2							•Gasket		
17	VOE980973	1							•Hollow screw		(VOE20460289)

Date: 9/26/2025	Image id: 1026979	Catalogue: 20763	Model: EC210D
Brand: Volvo	Serial: 230001-, 240001-, 250001-, 280001-	Group/Section: 216/100	Title: Crankshaft and related parts 17387726, 53641263



Section option	Kit	Option description
VOE17387726		Engine D5 TIER3
VOE53641263		Engine D5E T3

Pos	Part	Q1	Q2	Q3	Q4	Q5	PS	Kit	Description	Option(s)	Remark
1	VOE21264836	1							Crankshaft		REMAN VOE9021264836
2	VOE21141948	5							Main bearing		STD 85,00 MM
2	VOE21234191	REQ							Main bearing		U SZ 84,75 MM
2	VOE20405541	REQ							Main bearing		U SZ 84,50 MM
3	VOE20405899	2					SS		Thrust Washer		STD 2,9 MM
3	VOE21141963	REQ							Thrust washer		O SZ 3,1 MM
4	VOE20585982	4							Connecting rod		
5	VOE11700325	4							•Bushing		
6	VOE11700326	8							•Bolt		
7	VOE20459134	8							•Pin		
8	VOE20766790	1							Big-end Bearing		STD 68,00 MM