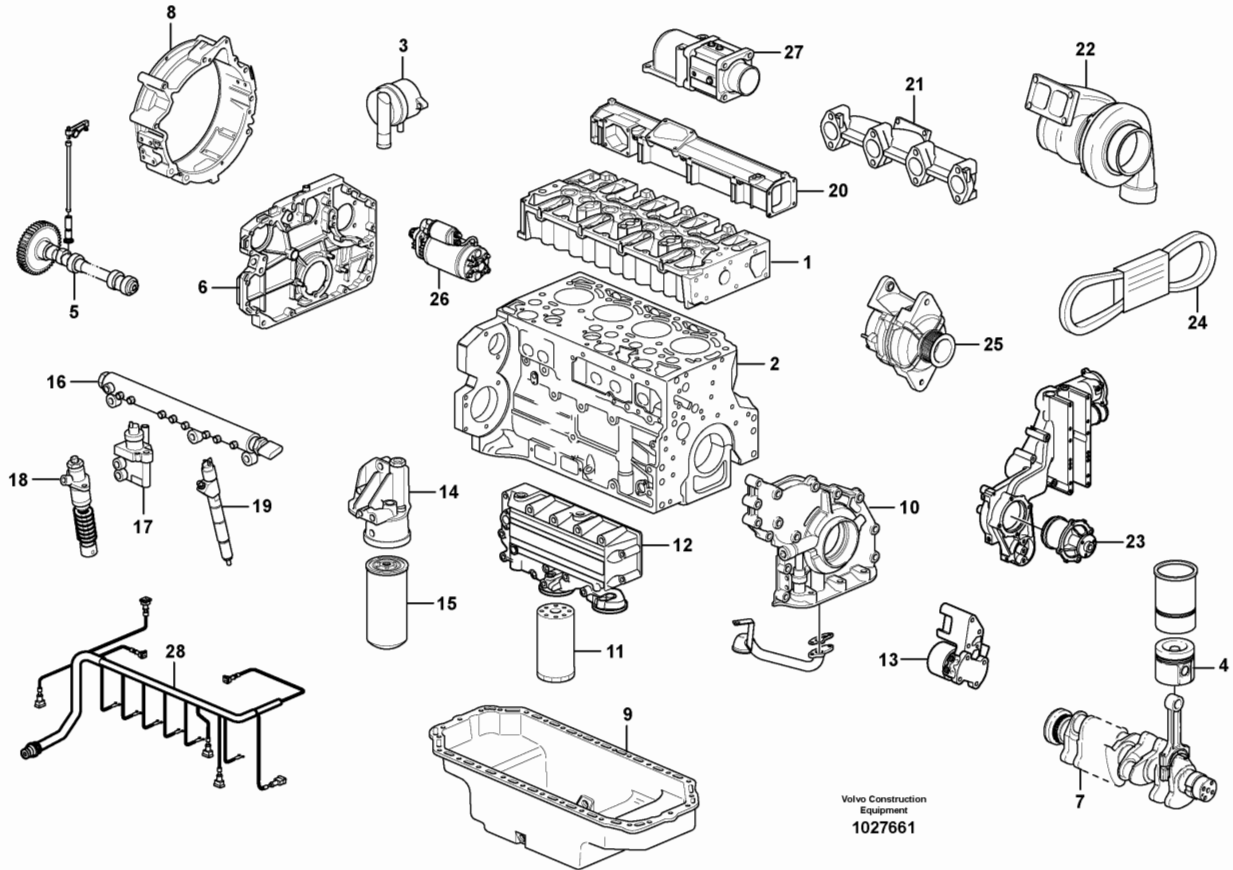


Date: 9/10/2025	Image id: 1027661	Catalogue: 20870	Model: EC200D
Brand: Volvo	Serial: 240001-, 250001-, 280001-	Group/Section: 210/100	Title: Engine 17387726



Volvo Construction
Equipment
1027661

Section option	Kit	Option description
VOE17387726		Engine D5 TIER3

Pos	Part	Q1	Q2	Q3	Q4	Q5	PS	Kit	Description	Option(s)	Remark
	VOE17387726	1							Engine		D5 TIER3, REMAN VOE9017387726
1		1							•Cylinder head		See ref 211/100
2		1							•Cylinder block		See ref 212/100
3		1							•Crankcase ventilation		See ref 212/300
4		4							•Piston		See ref 213/100
5		1							•Valve mechanism		See ref 214/100
6		1							•Timing gear casing		See ref 215/100
7		1							•Crankshaft		See ref 216/100
8		1							•Flywheel Hsg		See ref 216/150
9		1							•Oil sump		See ref 218/125
10		1							•Lubricating system		See ref 221/100

Product: Volvo EC200D Excavators Part Manual

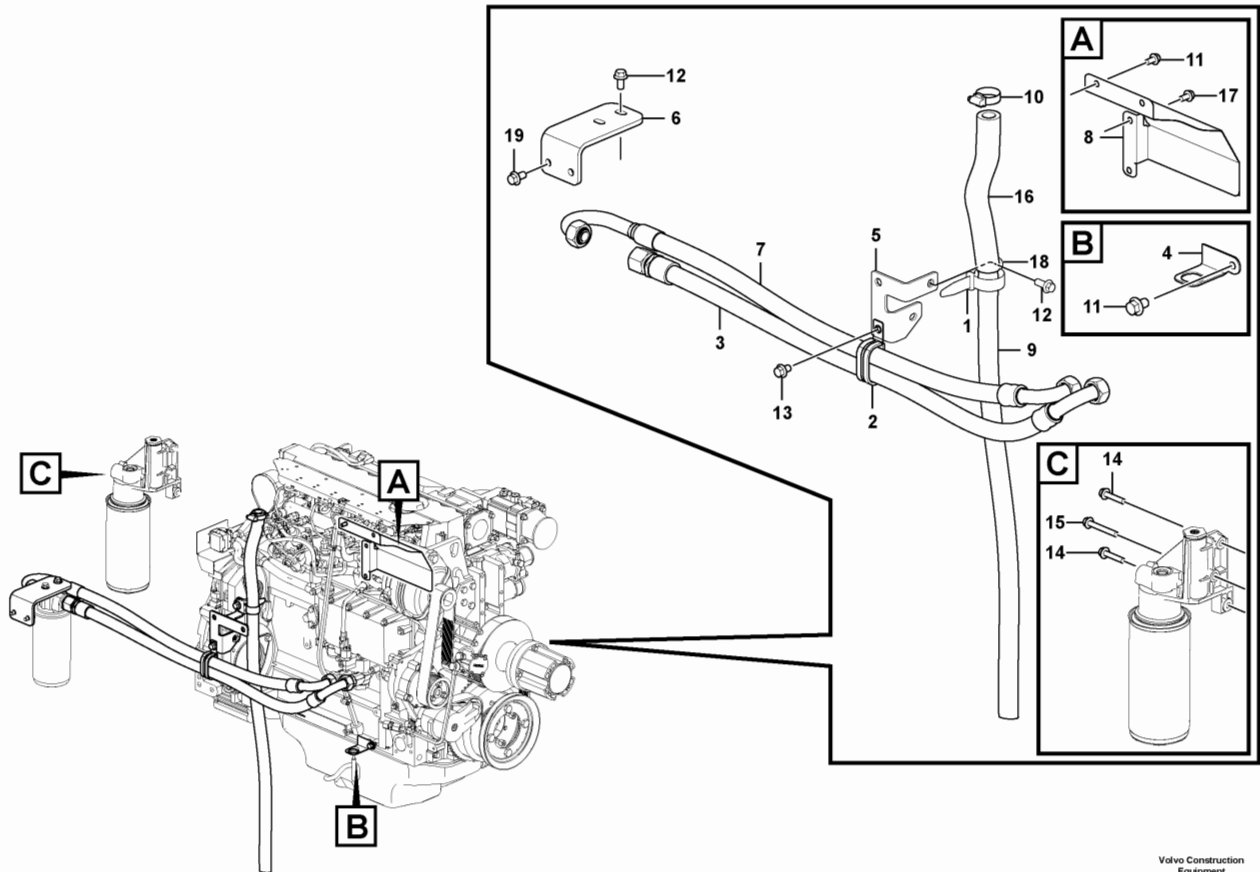
Full Download: <https://www.arepairmanual.com/downloads/volvo-ec200d-excavators-part-manual-2/>

11	1								•Oil filter	See ref 222/100
12	1								•Oil cooler	See ref 223/100
13	1								•Fuel pump	See ref 233/100
14	1								•Fuel Filter Housing	See ref 233/150
15	1								•Fuel Filter	See ref 233/150
16	1								•Rail	See ref 237/100
17	1								•Regulator	See ref 237/100
18	2								•Pump Unit	See ref 237/100
19	4								•Injector	See ref 237/100
20	1								•Inlet Manifold	See ref 251/100
21	1								•Exhaust pipe	See ref 251/100
22	1								•Turbocharger	See ref 255/100
23	1								•Coolant Pump	See ref 262/200
24	1								•Belt Xmsn	See ref 263/100
25	1								•Alternator	See ref 321/100
26	1								•Starter motor	See ref 331/100
27	1								•Pre-heater	See ref 333/100
28	1								•Cable harness	See ref 286/300

Sample of manual. Download All 688 pages at:

<https://www.arepairmanual.com/downloads/volvo-ec200d-excavators-part-manual-2/>

Date: 9/10/2025	Image id: 1093722	Catalogue: 20870	Model: EC200D
Brand: Volvo	Serial: 240001-, 250001-, 280001-	Group/Section: 210/225	Title: Engine 8300597



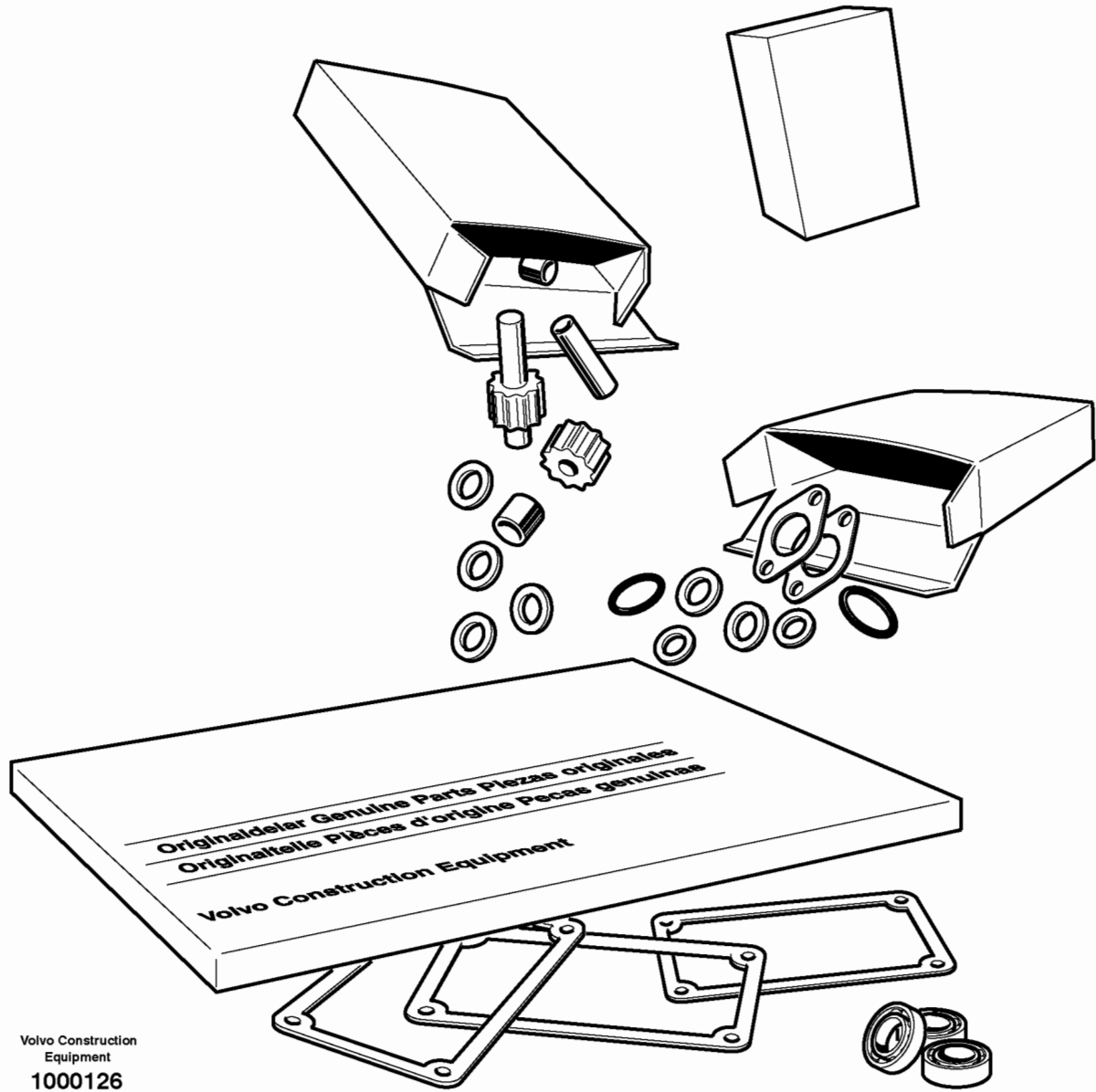
Volvo Construction
Equipment
1093722

Section option	Kit	Option description
VOE8300597		Engine Installation

Pos	Part	Q1	Q2	Q3	Q4	Q5	PS	Kit	Description	Option(s)	Remark
1	VOE14558809	1							Strip clamp		
2	VOE14507451	1							Clip		
3	VOE14718734	1							Hose		
4		1					NS		Bracket		
5		1					NS		Bracket		
6		1					NS		Plate		
7	VOE14735148	1							Hose		
8	VOE14718758	1							Cover		
9	VOE14723972	1							Hose		
10	VOE943475	1							Hose clamp		
11	VOE984733	3							Flange screw		
12	VOE984753	4							Flange screw		

13	VOE984751	1							Flange screw		
14	VOE984738	2							Flange screw		
15	VOE984740	1							Flange screw		
16	SA9443-30605	1					CS		Hose protection		
17	VOE60113019	2							Flange screw		
18	VOE14558808	1							Strip clamp		
19	VOE984752	2							Flange screw		

Date: 9/10/2025	Image id: 1000126	Catalogue: 20870	Model: EC200D
Brand: Volvo	Serial: 240001-, 250001-, 280001-	Group/Section: 210/300	Title: Repair kits for engine 8300597

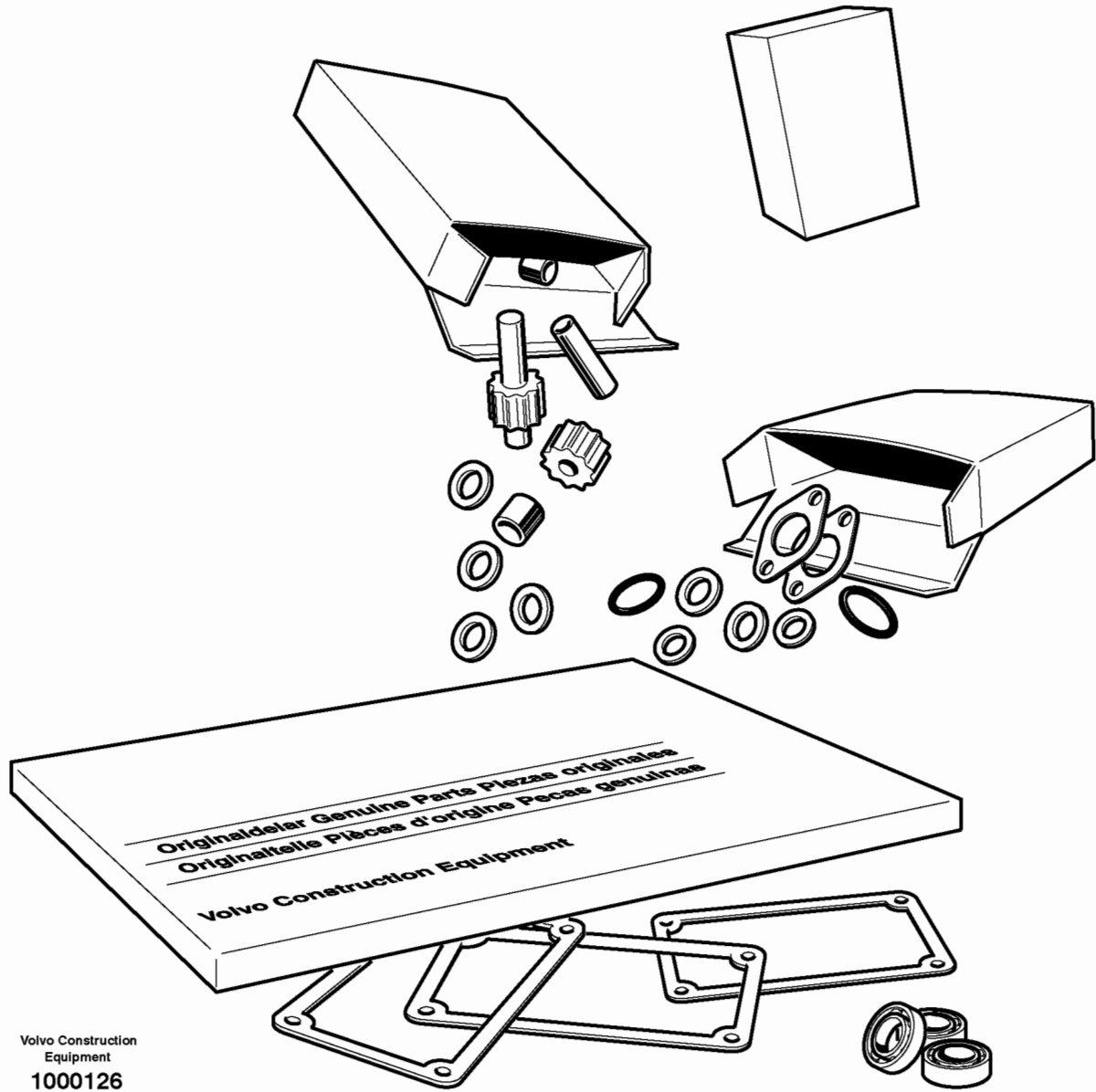


Section option	Kit	Option description
VOE8300597		Engine Installation

Pos	Part	Q1	Q2	Q3	Q4	Q5	PS	Kit	Description	Option(s)	Remark
	VOE15038635	1							Overhaul kit		
	VOE15038630	1							•Cylinder head kit		See ref 210/400
	VOE20865990	1							•Cyl Liner Kit		See ref 213/100
	VOE20405747	1							•Gasket		
	VOE20405843	1							•Gasket		

VOE20405888	1								•Gasket		
VOE21306356	1								•Lip seal		(VOE21486084)
VOE21486081	1								•Lip seal		
VOE21679835	1								•Gasket		
VOE20792162	2								•O-ring		
VOE20798076	1								•O-ring		
VOE20405691	1								•Gasket		
VOE20405728	1								•Sealing ring		
VOE20405907	4								•Sealing ring		

Date: 9/10/2025	Image id: 1000126	Catalogue: 20870	Model: EC200D
Brand: Volvo	Serial: 240001-, 250001-, 280001-	Group/Section: 210/400	Title: Repair kits for engine

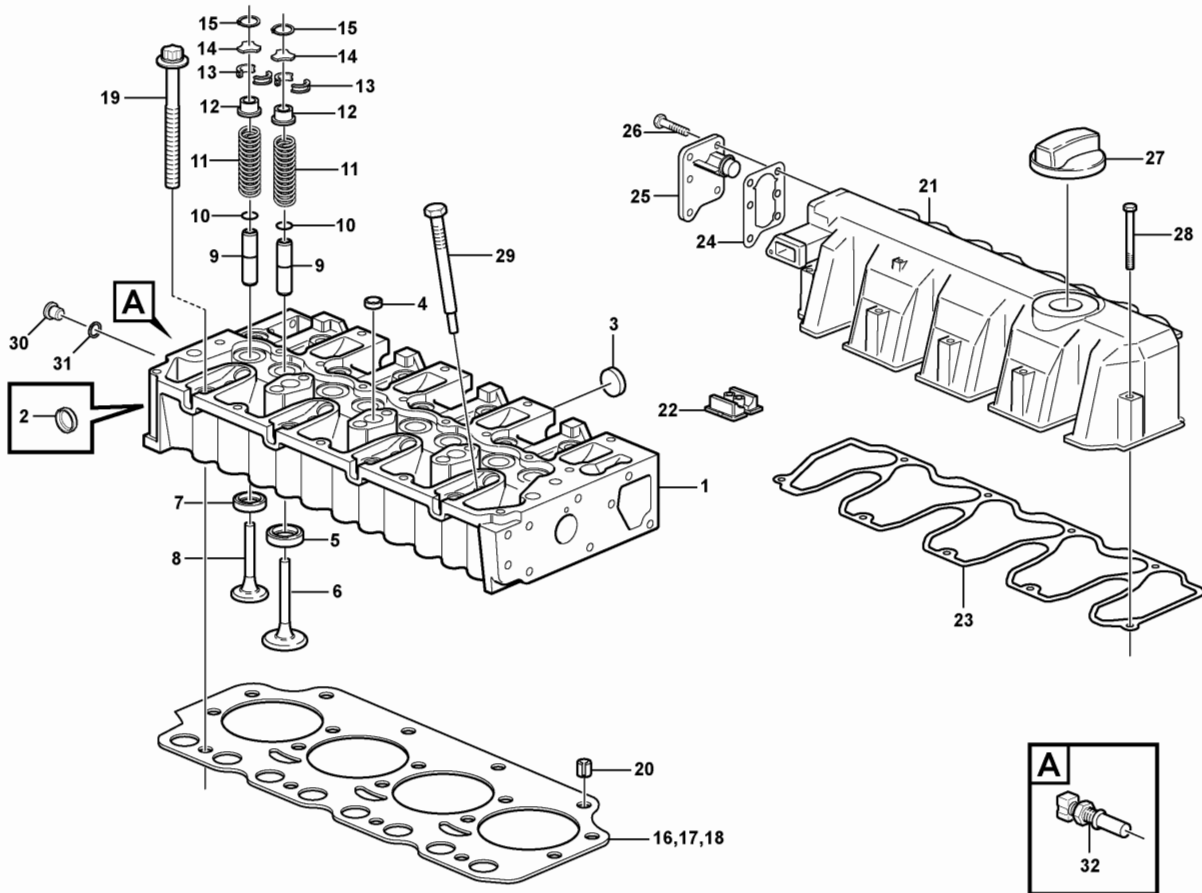


Pos	Part	Q1	Q2	Q3	Q4	Q5	PS	Kit	Description	Option(s)	Remark
	VOE15038630								Cylinder head kit		
	VOE11700334	18							•Screw		
	VOE11700348	8							•O-ring		
	VOE13947281	4							•Gasket		
	VOE13947621	2							•Plane gasket		
	VOE23935512	8							•Valve guide		(VOE20405897)See footnote 4914)
	VOE20459172	1							•Sealing ring		
	VOE20505959	8							•Hexagon nut		

VOE20559834	1						SS		•Gasket		
VOE21456567	8						SS		•Stud		
VOE20591706	2						SS		•Gasket		
VOE20798827	4								•O-ring		
VOE20799064	4								•Sealing ring		
VOE20847865	8								•Spacer Sleeve		
VOE23479847	1								•Gasket		(VOE20858564)
VOE20933261	4								•Gasket		
VOE20970720	1								•Cylinder head gasket		
VOE20970725	1								•Cylinder head gasket		
VOE20972267	1								•Valve gasket		
VOE21108676	2								•Sealing ring		(VOE21022796)
VOE21027485	1								•Gasket		
VOE21364297	2								•Pressure pipe		
VOE21364344	1								•Pressure pipe		
VOE21364346	1								•Pressure pipe		
VOE21364335	2								•Pressure pipe		
VOE993677	1								•Gasket		
VOE11700426	4								•Sealing ring		
VOE20405567	4								•Delivery pipe		
VOE20405769	1								•Sealing ring		
VOE20412325	2								•Sealing ring		
VOE20729227	4								•Sealing ring		
VOE21087699	2								•O-ring		
VOE21108673	3								•Sealing ring		
VOE21154146	1								•Sleeve		

4914) The final machining of the valve guides needs to be performed in combination with the related cylinder head and valves.

Date: 9/10/2025	Image id: 1087187	Catalogue: 20870	Model: EC200D
Brand: Volvo	Serial: 240001-, 250001-, 280001-	Group/Section: 211/100	Title: Cylinder head 17387726



Volvo Construction
Equipment
1087187

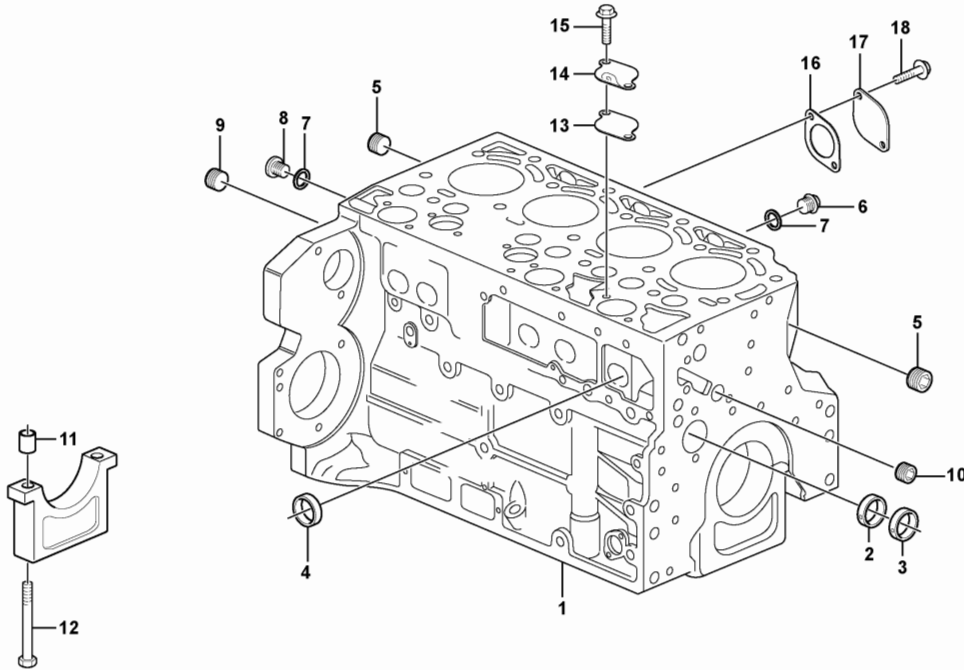
Section option	Kit	Option description
VOE17387726		Engine D5 TIER3

Pos	Part	Q1	Q2	Q3	Q4	Q5	PS	Kit	Description	Option(s)	Remark
1	VOE20970527	1							Cylinder head		REMAN VOE9020970527, VOE9023095544
2	VOE20914266	3							•Core Plug		
3	VOE20799722	3							•Plug		
4	VOE20412733	3							•Core plug		
5	VOE20459962	4							•Valve seat		
6	VOE20758481	4							•Inlet valve		
7	VOE20845144	4							•Valve seat		
8	VOE21739130	4							•Exhaust valve		(VOE20755883)
9	VOE23935512	8							•Valve guide		(VOE20405897)See footnote 4914)
10	VOE11700348	8							•O-ring		

11	VOE11700347	8							•Valve spring		
12	VOE20847155	8							•Retainer		
13	VOE11700345	16							•Valve sleeve		
14	VOE20840807	8							•Thrust washer		
15	VOE20840772	8							•Lock ring		
16		1					NS		Cyl Head Gasket		THICK = 1,4 MM
17	VOE20970720	1							Cylinder head gasket		THICK = 1,5 MM
18	VOE20970725	1							Cylinder head gasket		THICK = 1,6 MM
19	VOE11700334	18							Screw		
20	VOE20405521	2							Guide pin		
21	VOE21455723	1					SS		Valve cover		(VOE21036813)
22	VOE20412600	1							•Cap		
23	VOE20972267	1							•Valve gasket		
24	VOE20840801	1							•Gasket		
25	VOE20933359	1							•Oil Separator		
26	VOE20797542	6							•Hexagon screw		
27	VOE20412589	1							Filler cap		
28	VOE22278501	9							Hexagon screw		(VOE21037380)
29	VOE21455743	1							Plug		
30	VOE20450683	1							Adapter		
31	VOE13947628	1							Plane gasket		
32	VOE21531072	1							Temperature sensor		

4914) The final machining of the valve guides needs to be performed in combination with the related cylinder head and valves.

Date: 9/10/2025	Image id: 1056305	Catalogue: 20870	Model: EC200D
Brand: Volvo	Serial: 240001-, 250001-, 280001-	Group/Section: 212/100	Title: Cylinder block 17387726 ENG -12676767

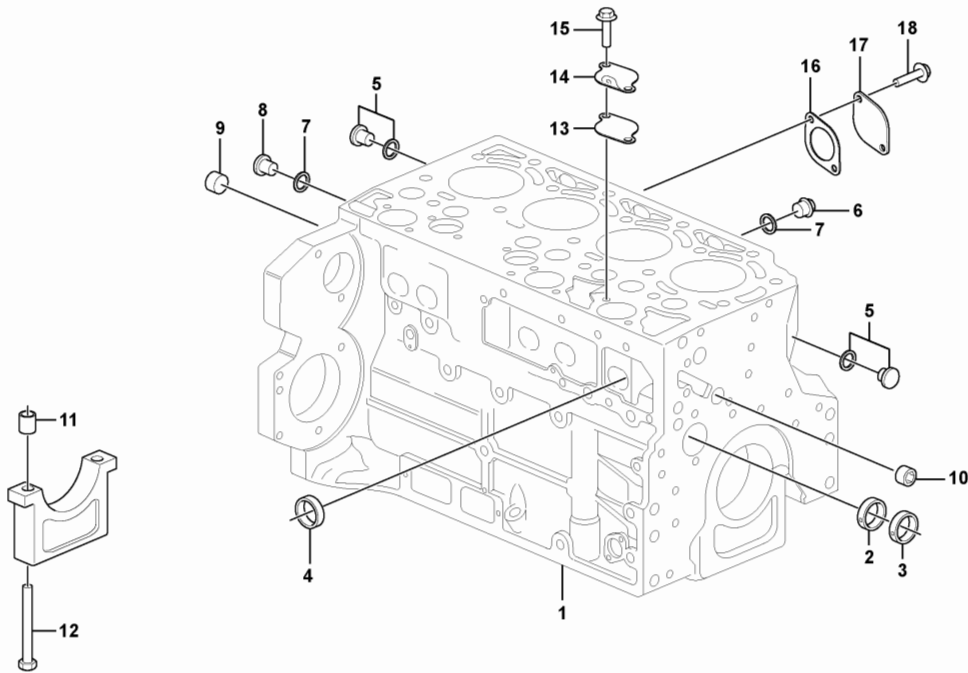


Volvo Construction
Equipment
1056305

Section option	Kit	Option description
VOE17387726		Engine D5 TIER3

Pos	Part	Q1	Q2	Q3	Q4	Q5	PS	Kit	Description	Option(s)	Remark
1	VOE21025096	1							Crankcase		
2	VOE11700285	1							•Bearing bushing		
3	VOE11700284	4							•Bearing bushing		
4	VOE20405721	6							•Core plug		
5	VOE20508600	2							•Plug		
6	VOE20405716	2							•Plug		
7	VOE13969011	3							•Gasket		
8	VOE945065	1							•Plug		
9	VOE20785813	1							•Plug		
10	VOE20405719	1							•Plug		
11	VOE11700278	10							•Bushing		
12	VOE20405583	10							•Bolt		

Date: 9/10/2025	Image id: 1115301	Catalogue: 20870	Model: EC200D
Brand: Volvo	Serial: 240001-, 250001-, 280001-	Group/Section: 212/110	Title: Cylinder block 17387726 ENG 12676768-



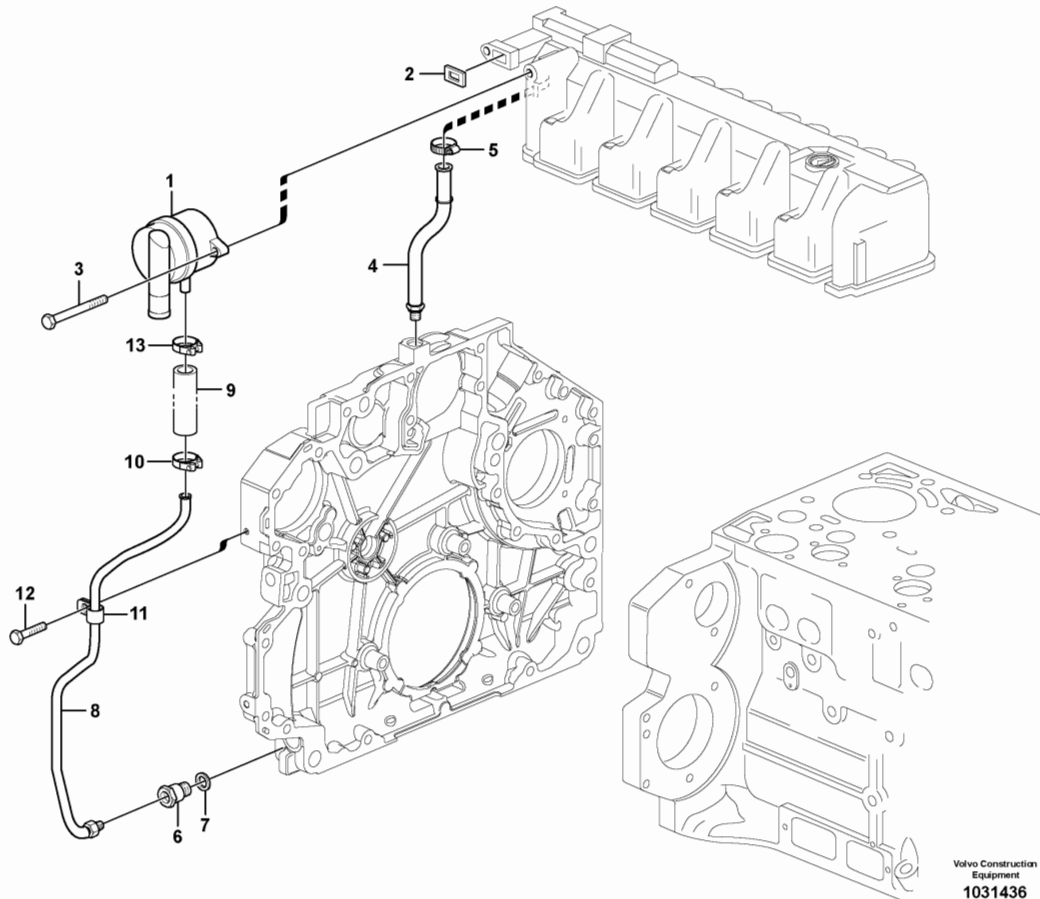
Volvo Construction
Equipment
1115301

Section option	Kit	Option description
VOE17387726		Engine D5 TIER3

Pos	Part	Q1	Q2	Q3	Q4	Q5	PS	Kit	Description	Option(s)	Remark
1	VOE21025096	1							Crankcase		
2	VOE11700285	1							•Bearing bushing		
3	VOE11700284	4							•Bearing bushing		
4	VOE20405721	6							•Core plug		
5	VOE24131681	2							•Hollow screw		
5	VOE60114081	1							••Plug		
5	VOE993677	1							••Gasket		
6	VOE20405716	2							•Plug		
7	VOE13969011	3							•Gasket		
8	VOE945065	1							•Plug		
9	VOE20785813	1							•Plug		
10	VOE20405719	1							•Plug		

11	VOE11700278	10							•Bushing		
12	VOE20405583	10							•Bolt		
13	VOE20933203	1							Gasket		
14	VOE20840812	1							Cover		
15	VOE20405792	2							Screw		
16	VOE20412341	1							Gasket		
17	VOE21180405	1							Flange		
18	VOE20405885	2							Screw		

Date: 9/10/2025	Image id: 1031436	Catalogue: 20870	Model: EC200D
Brand: Volvo	Serial: 240001-, 250001-, 280001-	Group/Section: 212/300	Title: Crankcase ventilation 17387726



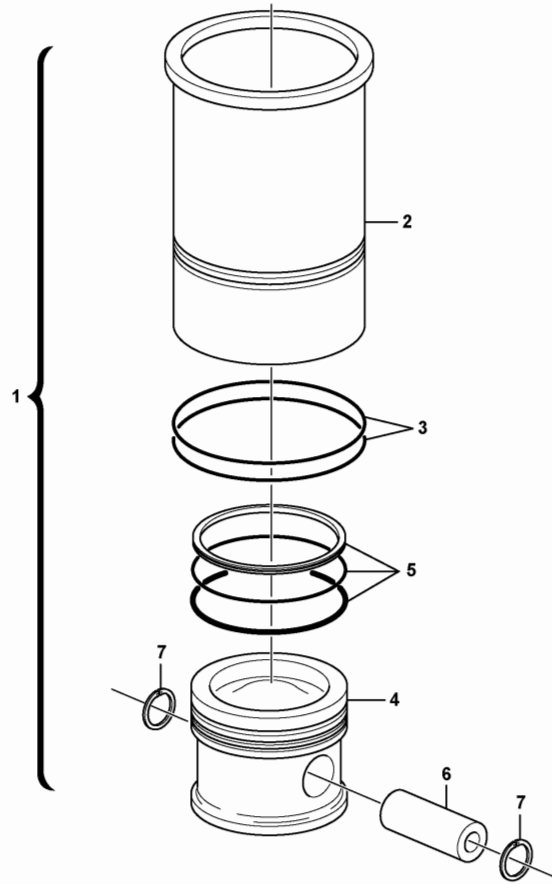
Volvo Construction
Equipment
1031436

Section option	Kit	Option description
VOE17387726		Engine D5 TIER3

Pos	Part	Q1	Q2	Q3	Q4	Q5	PS	Kit	Description	Option(s)	Remark
1	VOE20930510	1							Oil separator		
2	VOE21038626	1							•Plane gasket		
3	VOE20405504	2							Screw		(VOE20792147)
4	VOE20971646	1							Oil return pipe		
5	VOE20799673	1							Hose clamp		
6	VOE21496705	1							Drain valve		(VOE20841133)
7	VOE20460026	1							Sealing ring		
8	VOE20840219	1							Oil return pipe		
9	VOE20971632	1							•Rubber hose		
10	VOE20971607	1							•Hose clamp		
11	VOE20798831	1							•Attaching clamp		
12	VOE20405729	1							Screw		

13	VOE20971607	1							Hose clamp		
----	-------------	---	--	--	--	--	--	--	------------	--	--

Date: 9/10/2025	Image id: 1026946	Catalogue: 20870	Model: EC200D
Brand: Volvo	Serial: 240001-, 250001-, 280001-	Group/Section: 213/100	Title: Cylinder liner and piston 17387726

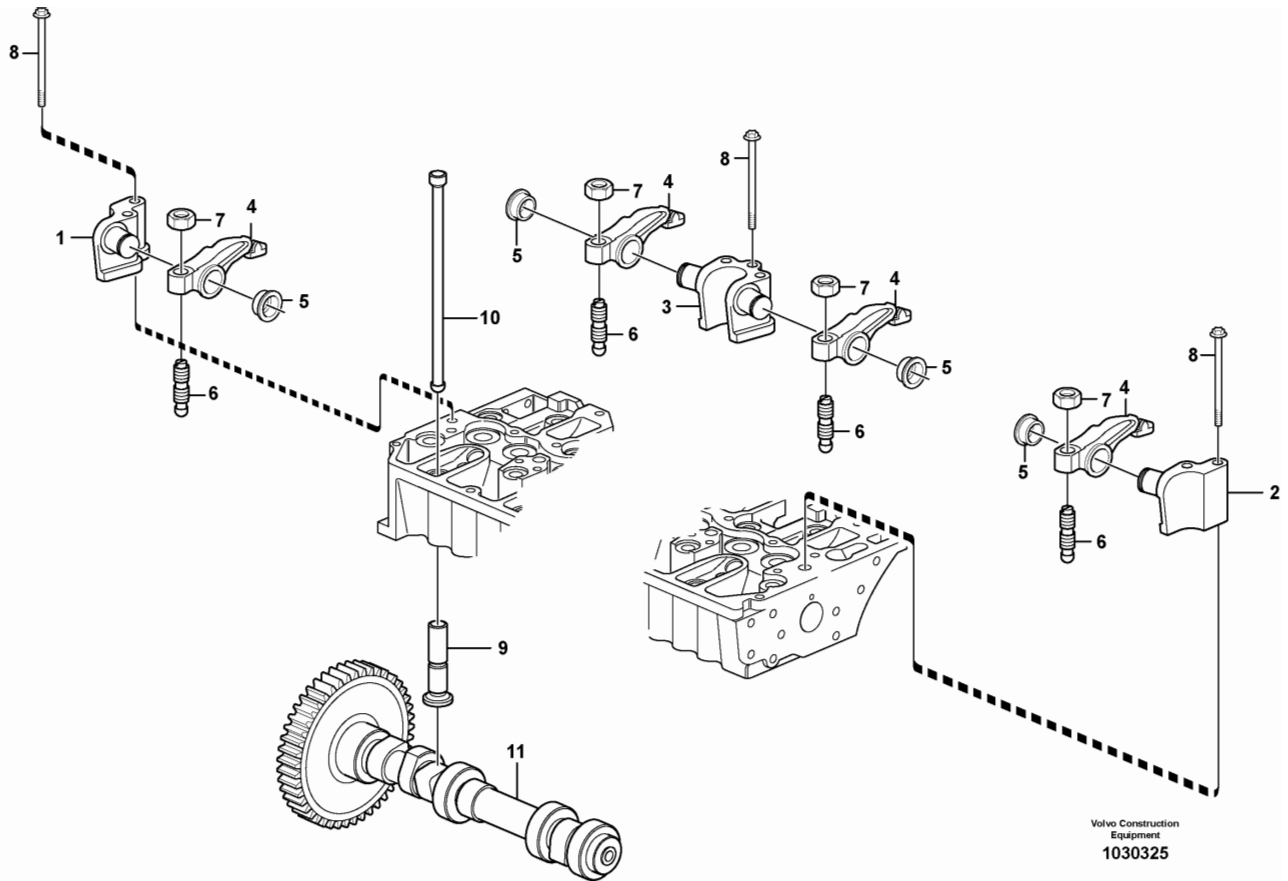


Volvo Construction
Equipment
1026946

Section option	Kit	Option description
VOE17387726		Engine D5 TIER3

Pos	Part	Q1	Q2	Q3	Q4	Q5	PS	Kit	Description	Option(s)	Remark
1	VOE20865990	4							Cyl Liner Kit		
2		4					NS		•Cylinder Liner		
3	VOE20412762	8							•O-ring		
4		4					NS		•Piston		
5	VOE21299547	4							•Piston ring kit		(VOE20450775)
6	VOE20405577	4							•Gudgeon pin		
7	VOE20405576	8							•Snap ring		

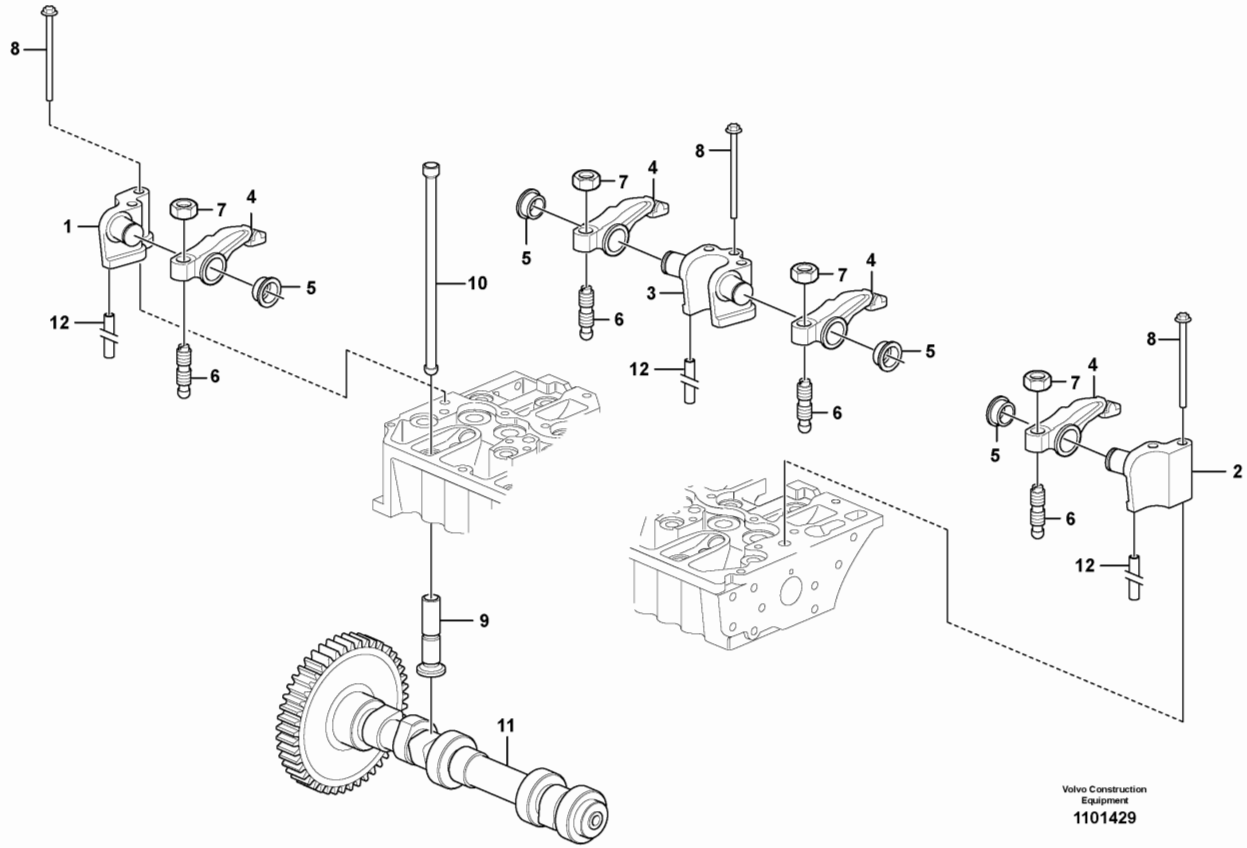
Date: 9/10/2025	Image id: 1030325	Catalogue: 20870	Model: EC200D
Brand: Volvo	Serial: 240001-, 250001-, 280001-	Group/Section: 214/100	Title: Valve mechanism 17387726 ENG -12301783



Section option	Kit	Option description
VOE17387726		Engine D5 TIER3

Pos	Part	Q1	Q2	Q3	Q4	Q5	PS	Kit	Description	Option(s)	Remark
1	VOE20805520	1					SS		Rocker arm shaft		
2	VOE23101955	1							Bracket		(VOE20805512)
3	VOE23102364	3							Bracket		(VOE20805516)
4	VOE21448926	8							Rocker arm		(VOE20792876)
5	VOE20794115	8							Retaining ring		
6	VOE20913851	8							Adjusting Screw		
7	VOE11700373	8							Nut		
8	VOE20405723	10							Screw		
9	VOE20792475	8							Tappet		
10	VOE21456429	8							Push rod		(VOE20405534)
11	VOE22216579	1							Camshaft		

Date: 9/10/2025	Image id: 1101429	Catalogue: 20870	Model: EC200D
Brand: Volvo	Serial: 240001-, 250001-, 280001-	Group/Section: 214/110	Title: Valve mechanism 17387726 ENG 12301784-

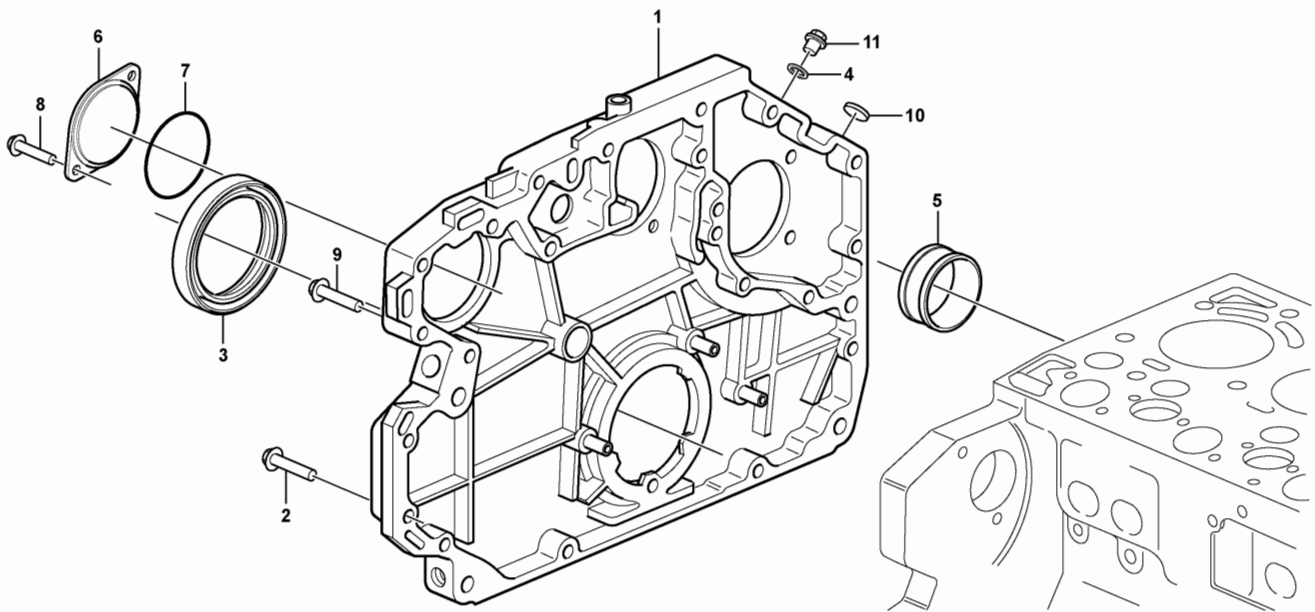


Volvo Construction
Equipment
1101429

Section option	Kit	Option description
VOE17387726		Engine D5 TIER3

Pos	Part	Q1	Q2	Q3	Q4	Q5	PS	Kit	Description	Option(s)	Remark
1	VOE23935622	1							Bracket		
2	VOE23101955	1							Bracket		
3	VOE23102364	3							Bracket		
4	VOE21448926	8							Rocker arm		
5	VOE20794115	8							Retaining ring		
6	VOE20913851	8							Adjusting Screw		
7	VOE11700373	8							Nut		
8	VOE20405723	10							Screw		
9	VOE11700366	8							Tappet		
10	VOE21456429	8							Push rod		(VOE20405534)
11	VOE22380215	1							Camshaft		(VOE21147012)
12	VOE20790837	5							Pin		

Date: 9/10/2025	Image id: 1081146	Catalogue: 20870	Model: EC200D
Brand: Volvo	Serial: 240001-, 250001-, 280001-	Group/Section: 215/100	Title: Timing gear casing 17387726

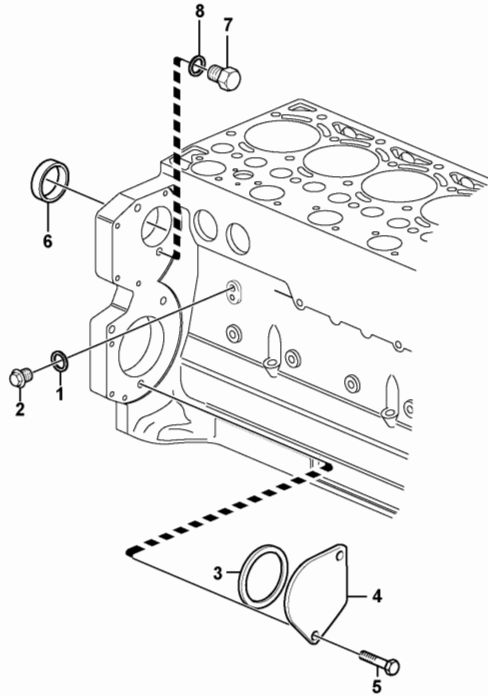


Volvo Construction
Equipment
1081146

Section option	Kit	Option description
VOE17387726		Engine D5 TIER3

Pos	Part	Q1	Q2	Q3	Q4	Q5	PS	Kit	Description	Option(s)	Remark
1	VOE22361416	1					SS		Timing gear casing		(VOE20972356)ENG-12313715
1	VOE23378541	1							Flywheel housing		ENG 12313716-
2	VOE996777	12							Flange screw		
3	VOE21306356	1							Lip seal		(VOE21486084)
4	VOE21108673	1							Sealing ring		
5	VOE20794126	1							Bushing		
6	VOE22610639	1							Cover		(VOE20950063)
7	VOE20405652	1							O-ring		
8	VOE20405709	2							Screw		
9	VOE20405709	1							Screw		
10	VOE20405605	1							Cover		
11	VOE20451012	1							Screw		

Date: 9/10/2025	Image id: 1031450	Catalogue: 20870	Model: EC200D
Brand: Volvo	Serial: 240001-, 250001-, 280001-	Group/Section: 215/300	Title: Pump drive power take-off 17387726

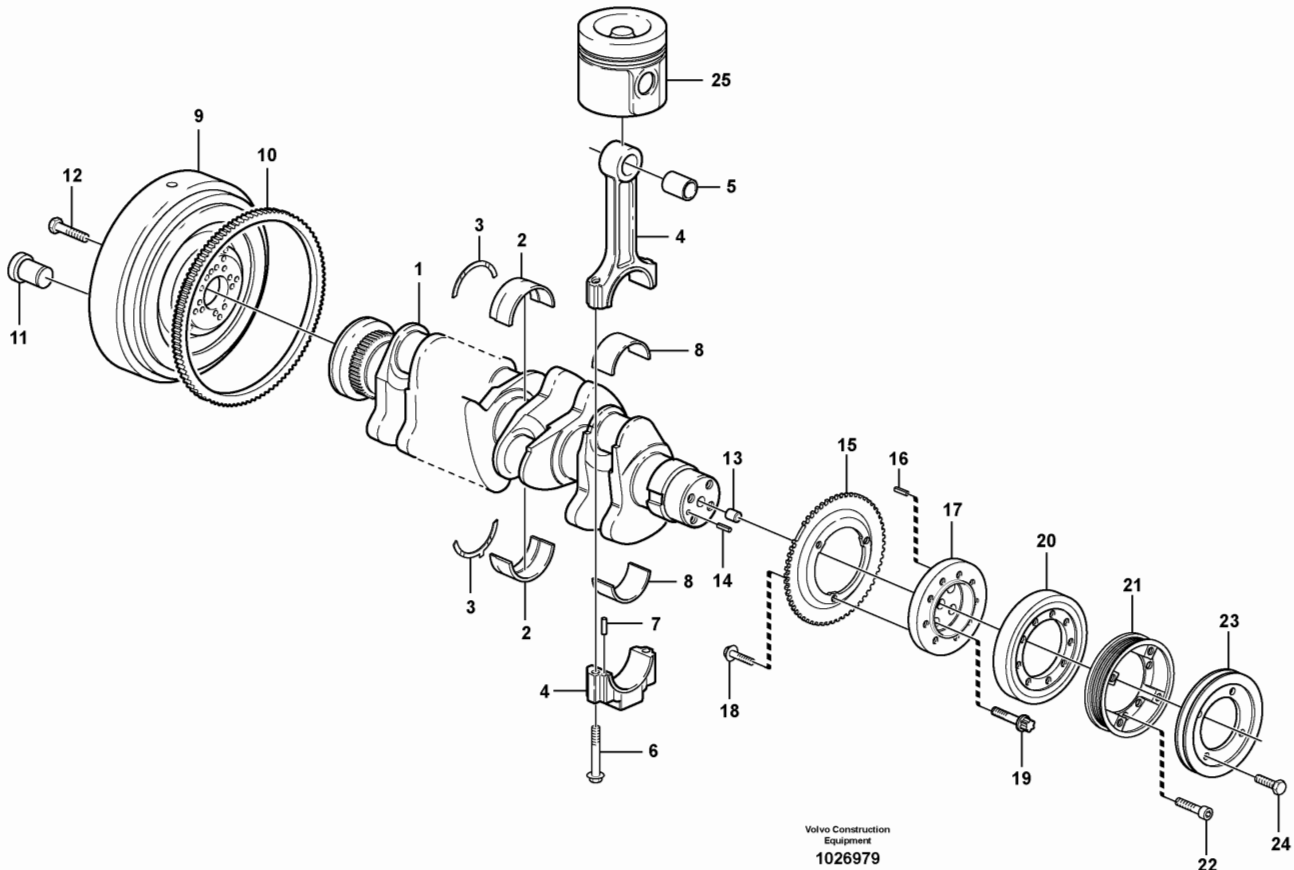


Volvo Construction
Equipment
1031450

Section option	Kit	Option description
VOE17387726		Engine D5 TIER3

Pos	Part	Q1	Q2	Q3	Q4	Q5	PS	Kit	Description	Option(s)	Remark
1	VOE993677	1							Gasket		
2	VOE20405716	1							Plug		
3	VOE20412359	1							O-ring		
4	VOE24426064	1							Cover		
5	VOE21713747	2							Flange screw		(VOE888289)ENG S/N -11858731
5	VOE60113409	2							Flange screw		ENG S/N 11858732-
6	VOE20450778	1							Core plug		
7	VOE20441859	1							Plug		
8	VOE13947281	1							Gasket		

Date: 9/10/2025	Image id: 1026979	Catalogue: 20870	Model: EC200D
Brand: Volvo	Serial: 240001-, 250001-, 280001-	Group/Section: 216/100	Title: Crankshaft and related parts 17387726

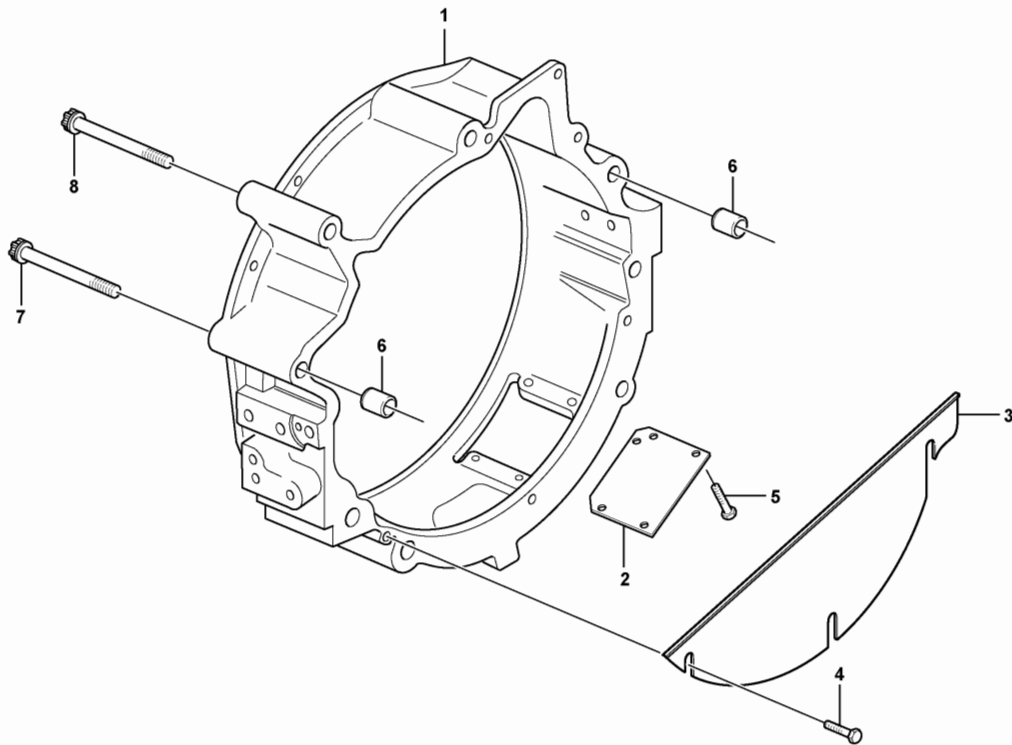


Section option	Kit	Option description
VOE17387726		Engine D5 TIER3

Pos	Part	Q1	Q2	Q3	Q4	Q5	PS	Kit	Description	Option(s)	Remark
1	VOE21264836	1							Crankshaft		(VOE20900811), REMAN VOE9020900811, VOE9021264836
2	VOE21141948	5							Main bearing		(VOE20405516)STD 85,00 MM
2	VOE21234191	REQ							Main bearing		(VOE20405529)U SZ 84,75 MM
2	VOE20405541	REQ							Main bearing		U SZ 84,50 MM
3	VOE20405899	2					SS		Thrust Washer		STD 2,9 MM
3	VOE21141963	REQ							Thrust washer		(VOE11700315)O SZ 3,1 MM
4	VOE20585982	4							Connecting rod		
5	VOE11700325	4							•Bushing		

6	VOE11700326	8							•Bolt		
7	VOE20459134	8							•Pin		
8	VOE20766790	4							Big-end Bearing		STD 68,00 MM
8	VOE20790423	REQ							Big-end Bearing		U SZ 67,75 MM
8	VOE20790428	REQ							Big-end Bearing		U SZ 67,50 MM
9	VOE20524696	1							Flywheel		
10	VOE23068179	1					SS		•Starter gear ring		
11	VOE20405643	1							Plug		
12	VOE20450835	10							Screw		
13	VOE20405634	1							Spring pin		
14	VOE20450628	1							Pin		
15	VOE20972333	1							Lock washer		
16	VOE20450838	1							Pin		
17	VOE21025184	1							Flange		
18	VOE975108	3							Flange screw		(VOE888289)
19	VOE20405724	4							Screw		
20	VOE20459925	1							Vibration absorber		
21	VOE21025201	1							V-belt pulley		
22	VOE21025208	6							Hex. socket screw		
23	VOE20459155	1							Pulley		
24	VOE20459156	4							Screw		
25		1							Piston		See ref 213/100

Date: 9/10/2025	Image id: 1027113	Catalogue: 20870	Model: EC200D
Brand: Volvo	Serial: 240001-, 250001-, 280001-	Group/Section: 216/150	Title: Flywheel housing 17387726

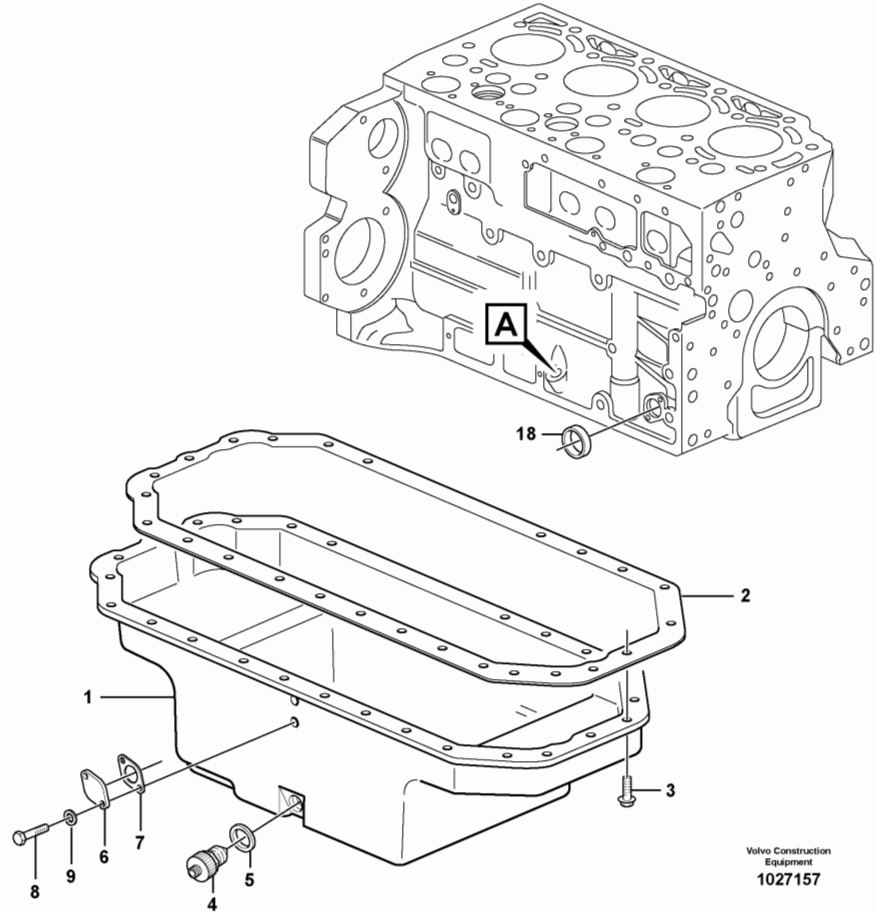
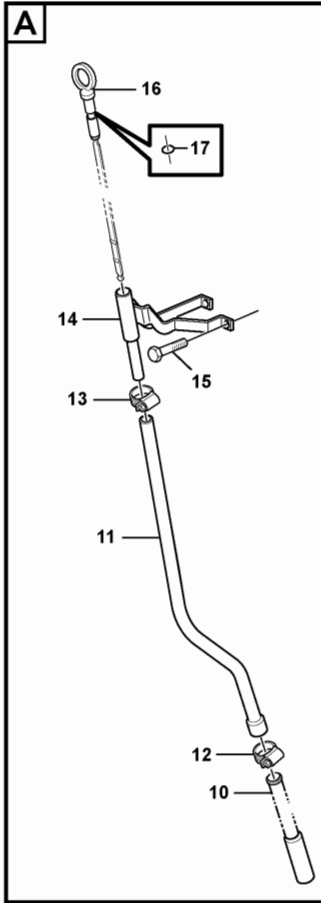


Volvo Construction
Equipment
1027113

Section option	Kit	Option description
VOE17387726		Engine D5 TIER3

Pos	Part	Q1	Q2	Q3	Q4	Q5	PS	Kit	Description	Option(s)	Remark
1	VOE21044436	1							Flywheel housing		
2	VOE20547288	1							•Cover Plate		
3	VOE20459989	1							•Cover		
4	VOE20405729	3							•Screw		
5	VOE20405729	4							•Screw		
6	VOE20405887	2							Bushing		
7	VOE20405714	2							Screw		M12 x 160 MM
8	VOE20405715	4							Screw		M16 x 150 MM

Date: 9/10/2025	Image id: 1027157	Catalogue: 20870	Model: EC200D
Brand: Volvo	Serial: 240001-, 250001-, 280001-	Group/Section: 217/100	Title: Oil sump 17387726 ENG -12492247



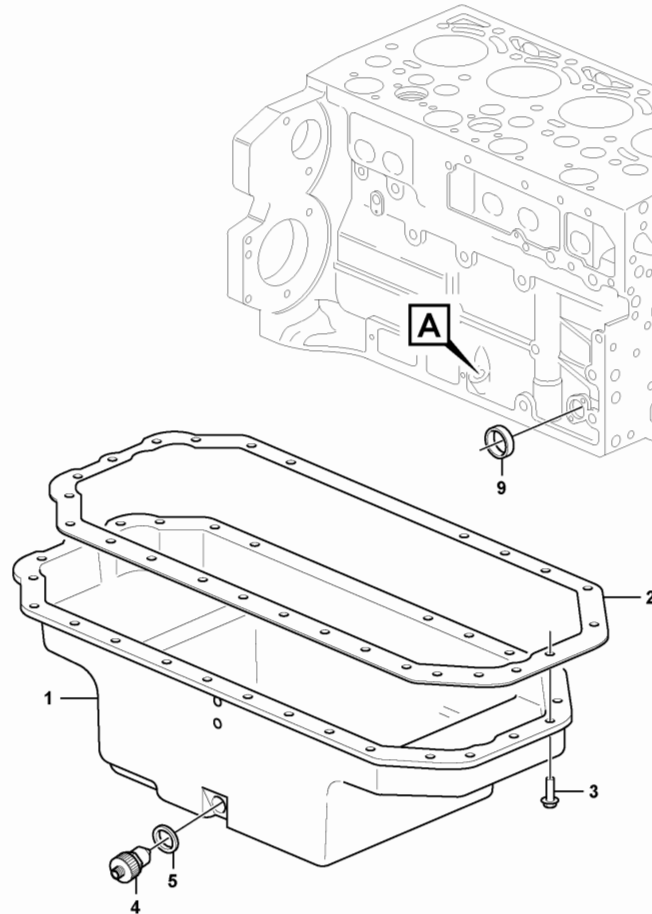
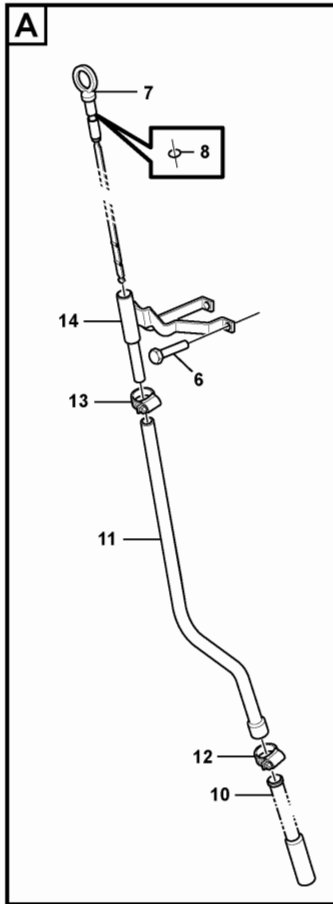
Volvo Construction
Equipment
1027157

Section option	Kit	Option description
VOE17387726		Engine D5 TIER3

Pos	Part	Q1	Q2	Q3	Q4	Q5	PS	Kit	Description	Option(s)	Remark
1	VOE21024688	1							Oil pan		(VOE21099766)
2	VOE20405843	1							Gasket		
3	VOE20405792	26							Screw		
4	VOE22879098	1							Drain valve		(VOE20450851)
5	VOE993679	1							Gasket		
6	VOE20482735	1							Flange		
7	VOE20405825	1							Gasket		
8	VOE60113399	2							Flange screw		(VOE994271)
9	VOE20482349	2							Sealing ring		
10	VOE20450869	1							Guide tube		
11	VOE20460212	1							Guide tube		
12	VOE20405568	1							Clip		

13	VOE20460215	1							Clip		
14	VOE21032062	1							Bracket		
15	VOE20405792	2							Screw		
16	VOE21584977	1							Oil dipstick		
17	VOE20460218	1							•O-ring		
18	VOE20412745	1							Core plug		

Date: 9/10/2025	Image id: 1069666	Catalogue: 20870	Model: EC200D
Brand: Volvo	Serial: 240001-, 250001-, 280001-	Group/Section: 217/110	Title: Oil sump 17387726 ENG 12492248-

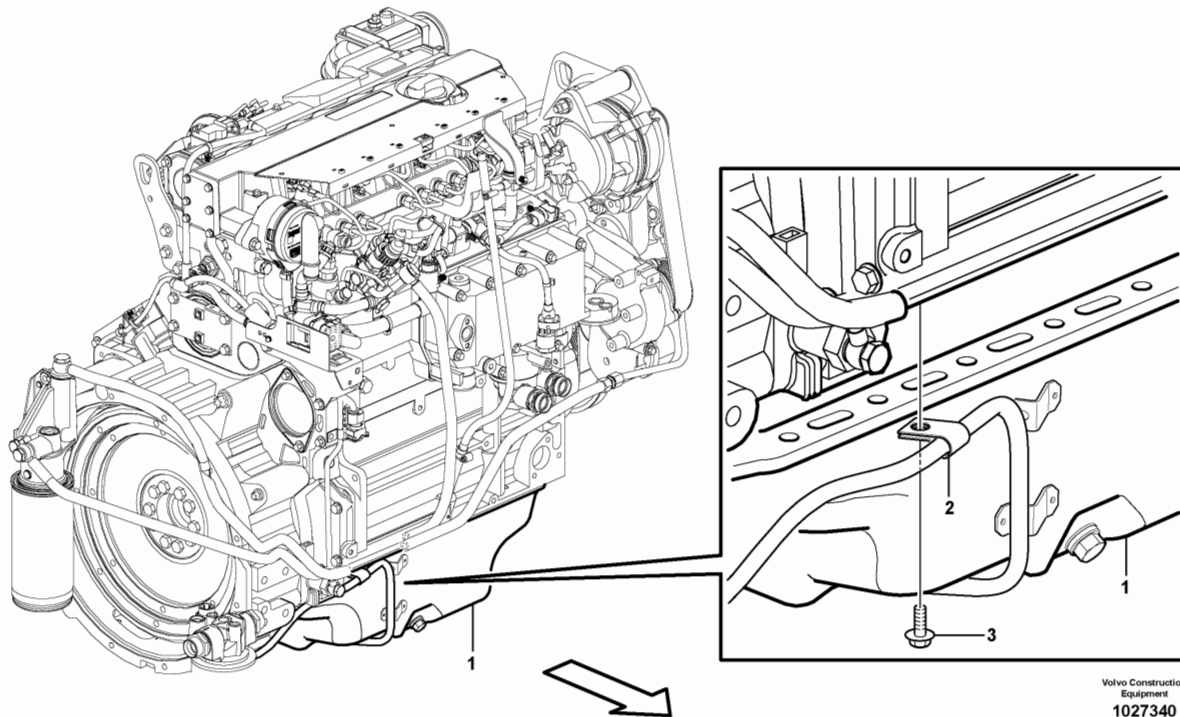


Volvo Construction
Equipment
1069666

Section option	Kit	Option description
VOE17387726		Engine D5 TIER3

Pos	Part	Q1	Q2	Q3	Q4	Q5	PS	Kit	Description	Option(s)	Remark
1	VOE23849265	1							Oil pan		
2	VOE20405843	1							Gasket		
3	VOE20405792	26							Screw		
4	VOE22879098	1							Drain valve		(VOE20450851)
5	VOE993679	1							Gasket		
6	VOE20405792	2							Screw		
7	VOE21584977	1							Oil dipstick		
8	VOE20460218	1							•O-ring		
9	VOE20412745	1							Core plug		
10	VOE20405644	1							Guide tube		
11	VOE20460212	1							Guide tube		
12	VOE20405568	1							Clip		

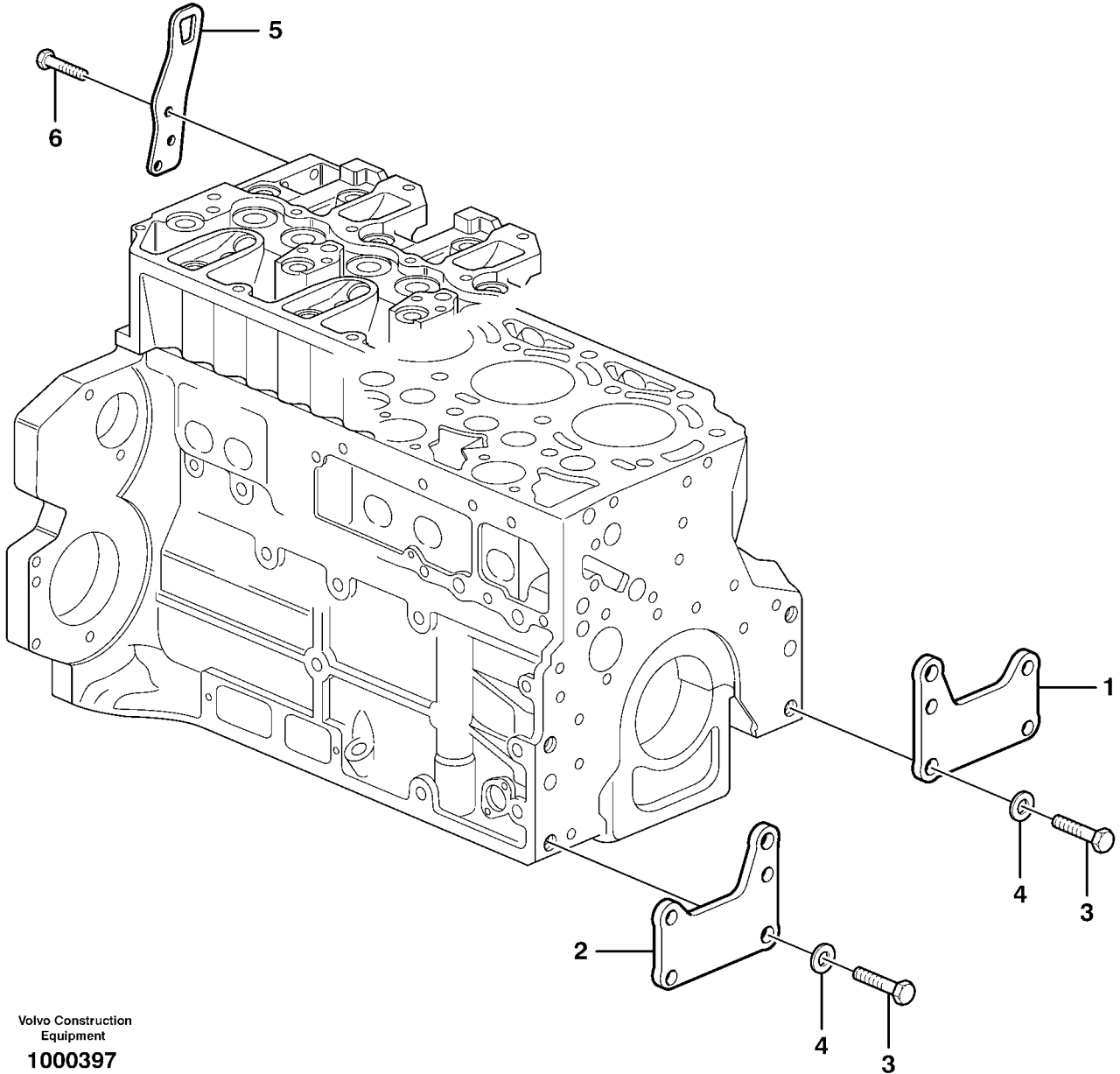
Date: 9/10/2025	Image id: 1027340	Catalogue: 20870	Model: EC200D
Brand: Volvo	Serial: 240001-, 250001-, 280001-	Group/Section: 217/150	Title: Oil sump 17387726



Section option	Kit	Option description
VOE17387726		Engine D5 TIER3

Pos	Part	Q1	Q2	Q3	Q4	Q5	PS	Kit	Description	Option(s)	Remark
1		1							Oil Pan		
2	VOE978869	1							Clamp		(SA9315-01201)
3	VOE60113106	1							Flange screw		(VOE13946817)

Date: 9/10/2025	Image id: 1000397	Catalogue: 20870	Model: EC200D
Brand: Volvo	Serial: 240001-, 250001-, 280001-	Group/Section: 218/50	Title: Engine mounting 17387726



Section option	Kit	Option description
VOE17387726		Engine D5 TIER3

Pos	Part	Q1	Q2	Q3	Q4	Q5	PS	Kit	Description	Option(s)	Remark
1	VOE20723978	1							Bracket		
2	VOE20723984	1							Bracket		
3	VOE20535027	4							Screw		
4	VOE20405606	4							Washer		
5	VOE20450854	2							Lifting eye		