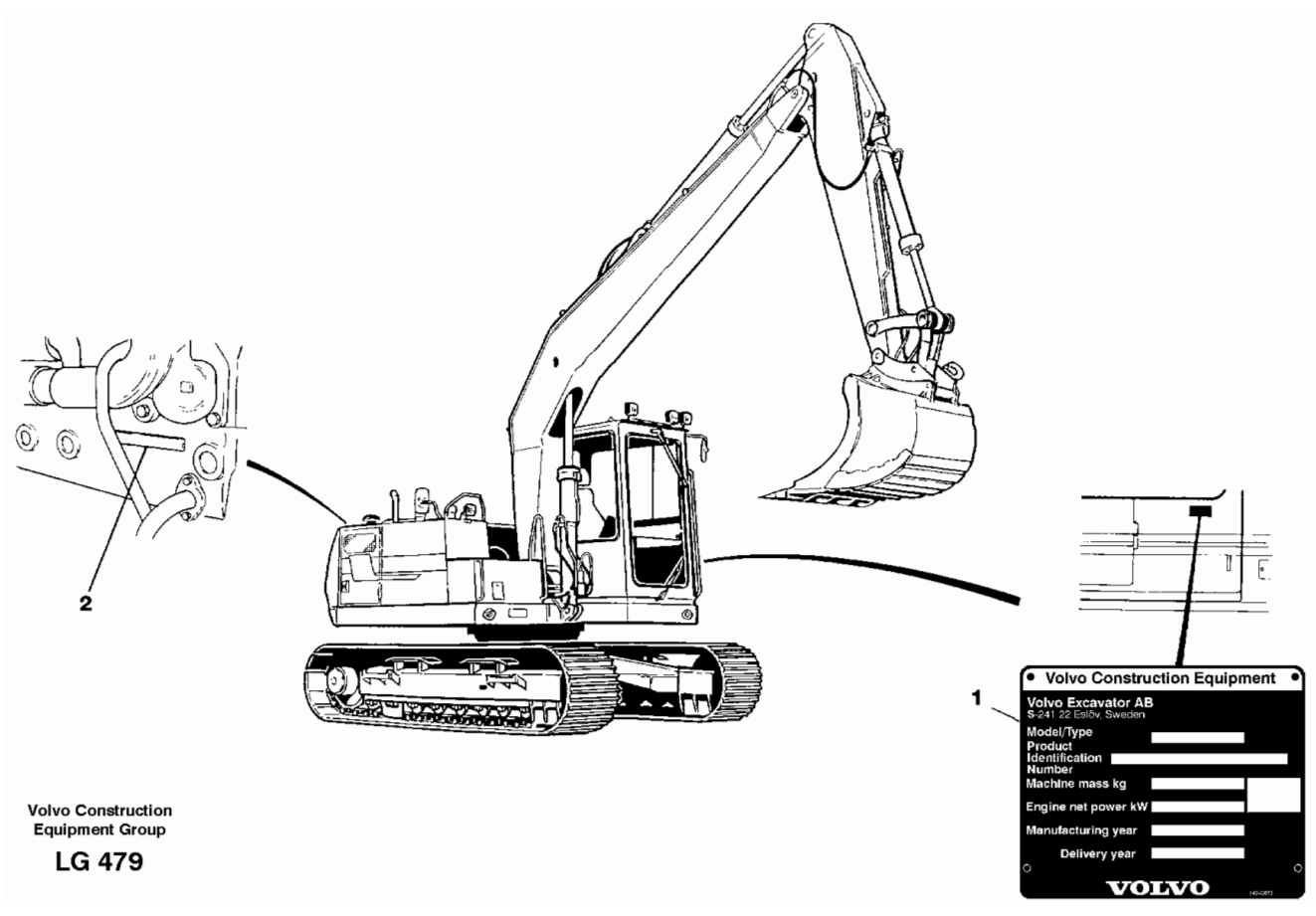
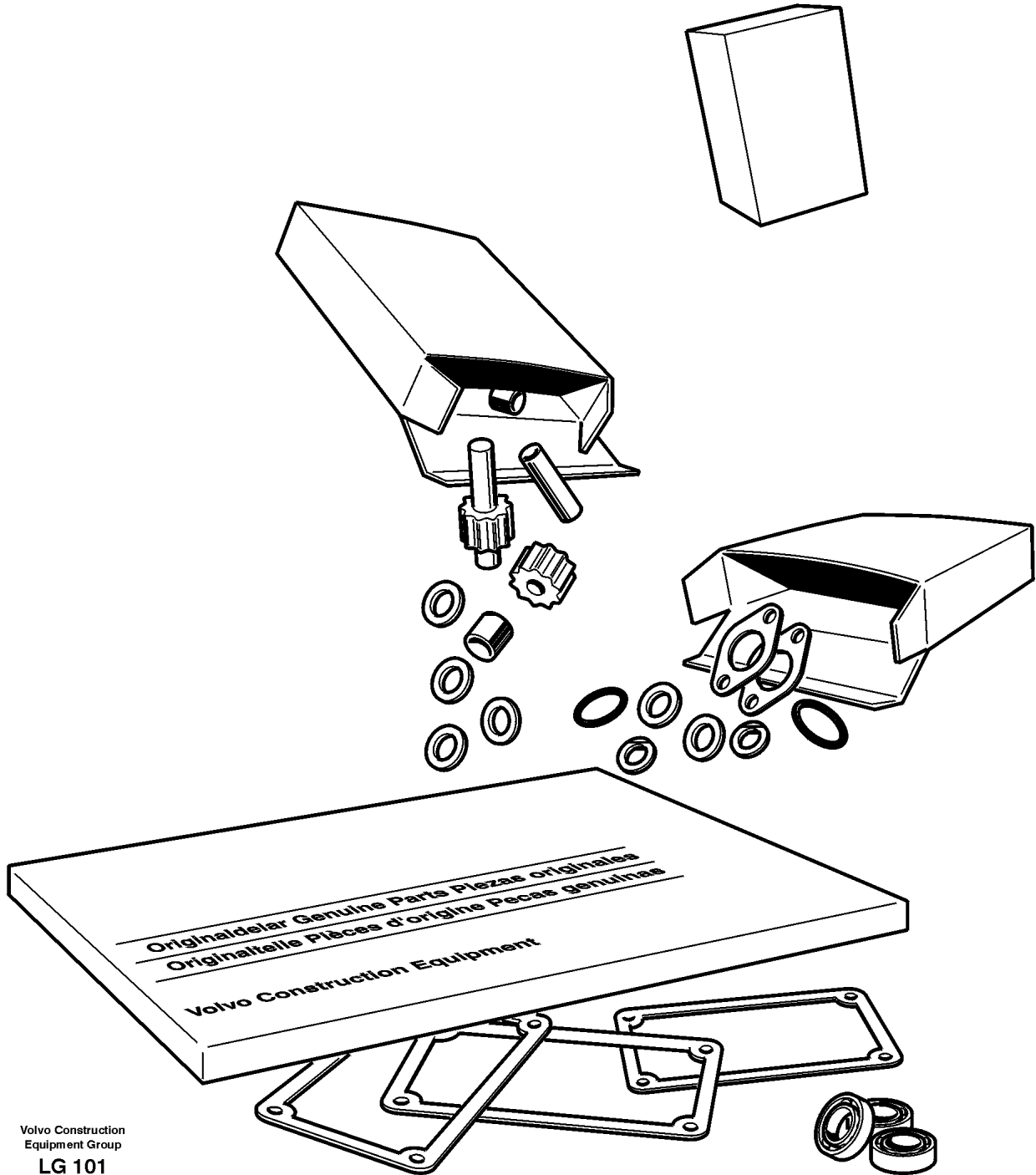


Date: 9/9/2025	Image id: LG479	Catalogue: 99533	Model: EC200
Brand: Volvo	Serial: 2760-9999	Group/Section: 030/100	Title: Product identification plate



Pos	Part	Q1	Q2	Q3	Q4	Q5	PS	Kit	Description	Option(s)	Remark
1									Product sign plate		
2									Engine sign plate		

Date: 9/9/2025	Image id: LG101	Catalogue: 99533	Model: EC200
Brand: Volvo	Serial: 2760-9999	Group/Section: 210/100	Title: Repair kits for engine



Volvo Construction
Equipment Group
LG 101

Pos	Part	Q1	Q2	Q3	Q4	Q5	PS	Kit	Description	Option(s)	Remark
	VOE276821	2							Gasket kit		FOR CYLINDER HEAD / FÖR CYLINDERLOCK

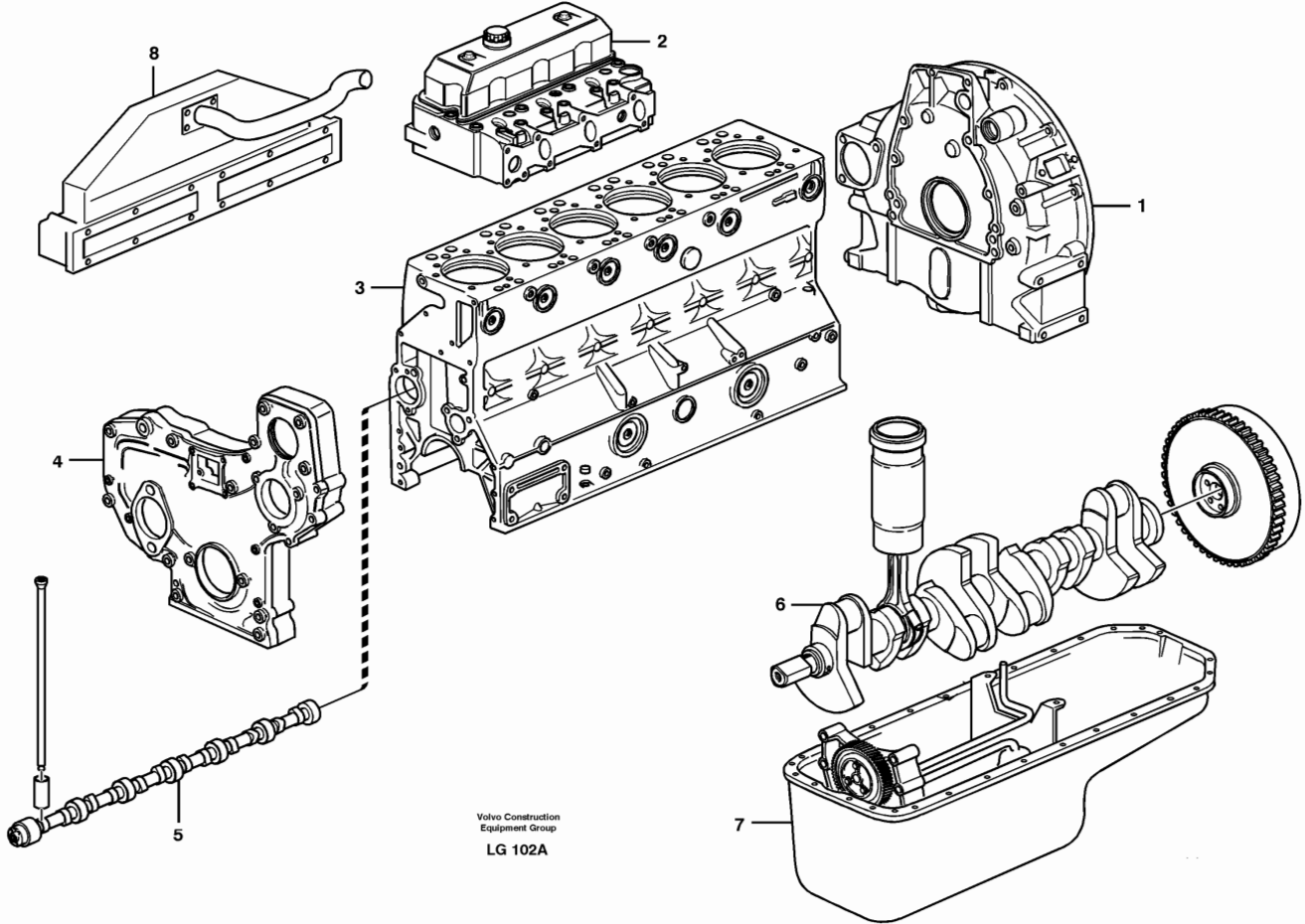
VOE276929	6									Cylinder liner kit	See ref 213/100
VOE271161	6									•Sealing ring kit	
VOE276310	6									•Piston ring kit	
VOE270139	6									Piston Bearing	STD See ref 216/100
VOE270140	6									Big End Brg Kit	0,25 O SZ
VOE270141	6									Big End Brg Kit	0,50 O SZ
VOE270142	6						CS			Big End Brg Kit	0,75 O SZ
VOE271230	7									Main bearing kit	STD
VOE271231	7									Main bearing kit	0,25 O SZ
VOE271232	7									Main bearing kit	0,50 O SZ
VOE271233	7						CS			Main bearing kit	0,75 O SZ
VOE271234	7						CS			Main bearing kit	1,00 O SZ
VOE276751	1									Thrust washer kit	STD
VOE276752	1									Thrust washer	0,1 O SZ
VOE276753	1						CS			Thrust washer	0,2 O SZ
VOE276152	1						CS			Repair kit	FOR OIL PUMP / FÖR OLJEPUMP
VOE276804	1						SS			Water pump kit	
VOE11990043	1									Repair kit	
VOE845240	1									Repair kit	Inspr.pump See ref 236/400
VOE11997139	1						CS			Overhaul kit	Step 1 / steg 1
VOE276821	2									•Gasket kit	
VOE275776	1									•Gasket kit	Supplementary for decar - bonizing the engine / tillägg för sotning
VOE1661993	1									•Thermostat	
VOE471682	3									•Gasket	(VOE424619)
VOE420538	6									•Gasket	
VOE420618	2									•Gasket	
VOE11997140	1						CS			Overhaul kit	Step 1 supplement /

steg 1 tillägg

	VOE465158	6							•Valve seat		
	VOE465155	6					CS		•Valve seat		
	VOE420553	6					SS		•Inlet valve		
	VOE8192143	6							•Exhaust valve		(VOE465549)
	VOE477792	12							•Valve guide		
	VOE270575	6					SS		•Repair kit		
	VOE11997143	1					CS		Overhaul kit		
	VOE270139	6							•Piston Bearing		
	VOE876199	6							•Cylinder liner kit		
	VOE465815	12							•Screw		
	VOE11030778	1							•Gasket		
	VOE11997145	1					CS		Overhaul kit		Step 3 / steg 3
	VOE271230	7							•Main bearing kit		
	VOE276751	1							•Thrust washer kit		
	VOE11997140	1					CS		•Overhaul kit		
	VOE11997136	1					CS		•Gasket kit		
	VOE11997136	1					CS		Gasket kit		Supplementary set for major overhaul of engine /
											Tilläggsats för hel- reovering
	VOE420641	1					SS		•Gasket		
	VOE420643	1							•Gasket		
	VOE20591544	2							•Gasket		(VOE421121)
	VOE845515	2							•Gasket		
	VOE862619	2							•Gasket		
	VOE1275379	1							•Gasket		(VOE940096)
	VOE947620	14							•Gasket		
	VOE4804167	1							•Gasket		
	VOE11030013	1							•Gasket		
	VOE13947281	6							•Gasket		
	VOE13947282	2							•Gasket		
	VOE13969011	14							•Gasket		
	VOE13947627	3							•Plane gasket		(VOE947627)
	VOE949329	1							•Gasket		
	VOE957171	1							•Gasket		
	VOE13947624	3							•Plane gasket		
	VOE13947625	1							•Plane gasket		
	VOE421158	1							•Sealing ring		
	VOE22194880	1							•Sealing ring		(VOE421629)

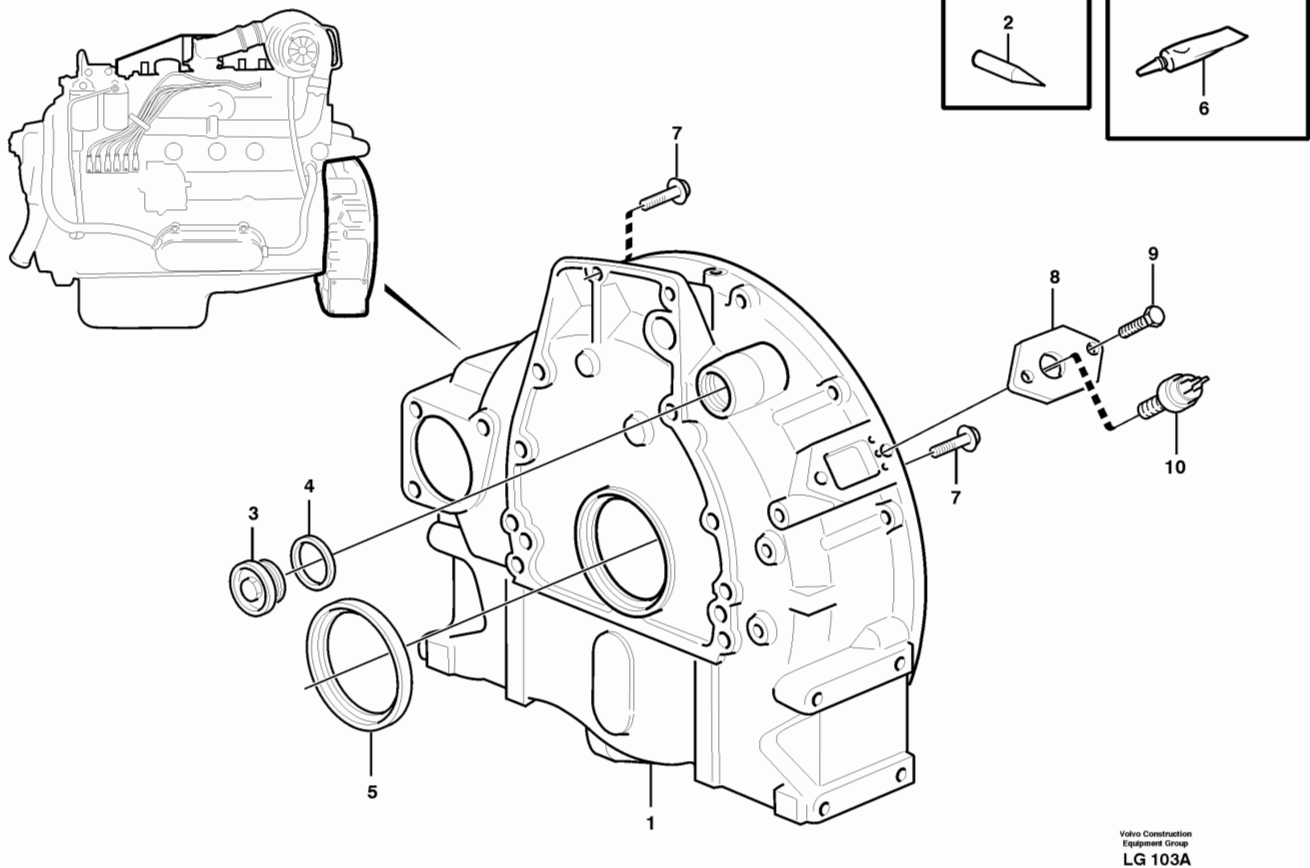
VOE925094	1								•O-ring		(VOE465058)
VOE469455	6								•Sealing ring		
VOE469483	2								•Sealing ring		
VOE470383	2								•Sealing ring		
VOE471321	1								•Sealing ring		
VOE471626	3								•Sealing ring		
VOE471637	2								•Sealing ring		
VOE471708	2								•Sealing ring		
VOE471856	5								•Sealing ring		
VOE471956	6								•Sealing ring		
VOE477118	1								•Sealing ring		
VOE11030751	2								•Sealing ring		
VOE477059	1								•O-ring		
VOE925057	2								•O-ring		
VOE977015	1								•O-ring		(VOE925092)
VOE925094	1								•O-ring		
VOE925256	1								•O-ring		
VOE925257	1								•O-ring		
VOE13925095	1								•O-ring		
VOE13948981	1								•O-ring		
VOE13949656	2								•O-ring		
VOE13949722	1								•O-ring		
VOE13975610	1								•O-ring		
VOE477119	1								•Crankshaft seal		

Date: 9/9/2025	Image id: LG102A	Catalogue: 99533	Model: EC200
Brand: Volvo	Serial: 2760-9999	Group/Section: 210/200	Title: Engine



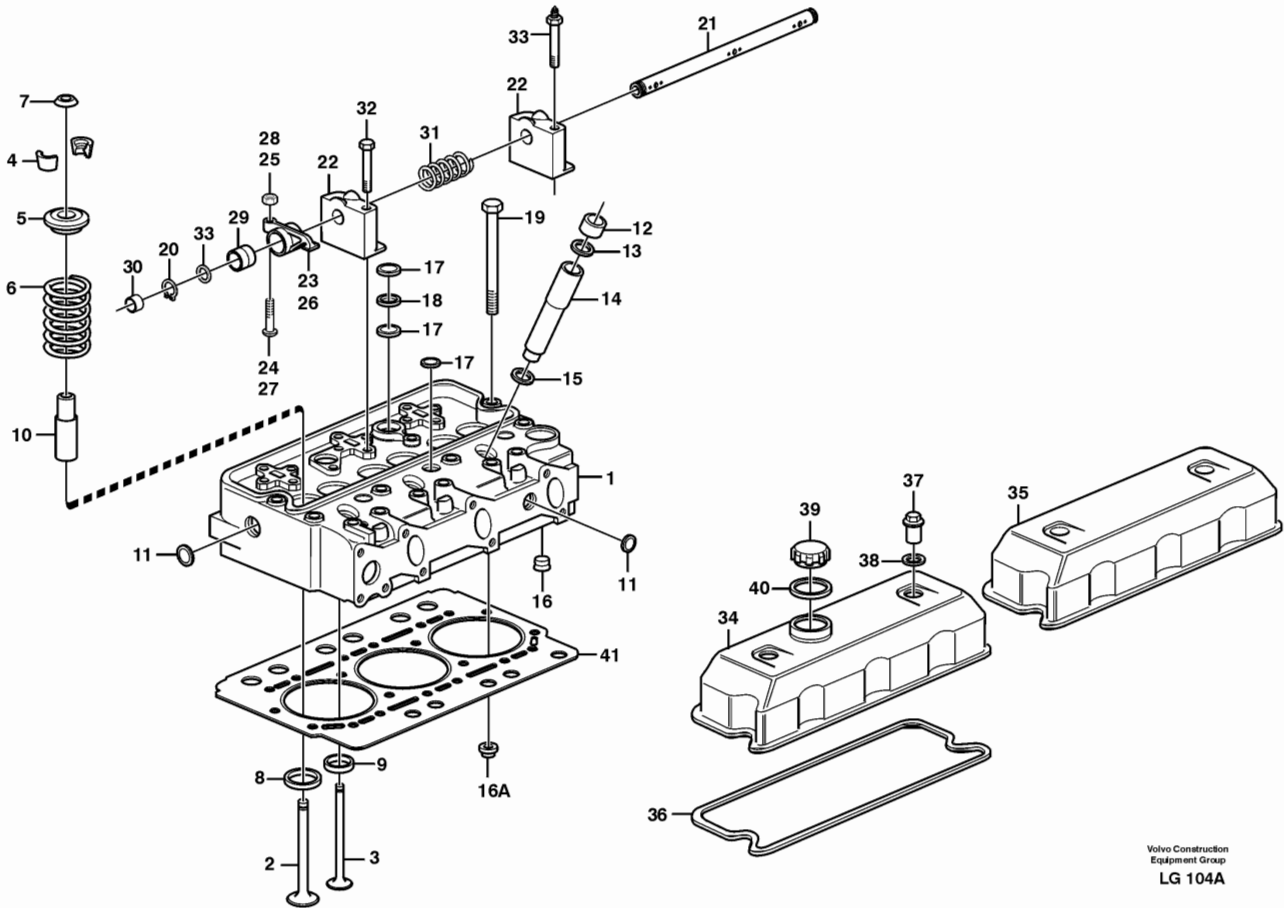
Pos	Part	Q1	Q2	Q3	Q4	Q5	PS	Kit	Description	Option(s)	Remark
	VOE15004130	1					CS		Engine		(VOE8188109), REMAN VOE9008188109, VOE9015004130
1		1							Flywheel housing		See ref 210/300
2		1							Cylinder head		See ref 211/100
3		1							Cylinder block		See ref 212/100
4		1							Timing gear casing		See ref 215/100
5		1							Camshaft		See ref 215/200
6		1							Crank mechanism		See ref 216/100
7		1							Oil sump		See ref 217/100
8		1							Charge air cooler		See ref 251/260

Date: 9/9/2025	Image id: LG103A	Catalogue: 99533	Model: EC200
Brand: Volvo	Serial: 2760-9999	Group/Section: 210/300	Title: Flywheel housing



Pos	Part	Q1	Q2	Q3	Q4	Q5	PS	Kit	Description	Option(s)	Remark
1	VOE11701518	1					SS		Flywheel housing		
2	VOE864494	1							Setting indicator		
3	VOE15134976	1							Plug		(VOE467649)
4	VOE1556907	1							Gasket		(VOE469328)
5	VOE477119	1							Crankshaft seal		
6	VOE1161277	REQ							Sealant		20 g
7	VOE13966361	6							Flange screw		L = 55
	VOE984858	2							Flange screw		(VOE13966363)L = 65
	VOE968753	2					CS		Flange screw		L = 75
8	VOE14254562	1					CS		Attachment		
9	VOE13955272	2							Screw		
10	VOE14215228	1							Tachometer sensor		

Date: 9/9/2025	Image id: LG104A	Catalogue: 99533	Model: EC200
Brand: Volvo	Serial: 2760-9999	Group/Section: 211/100	Title: Cylinder head

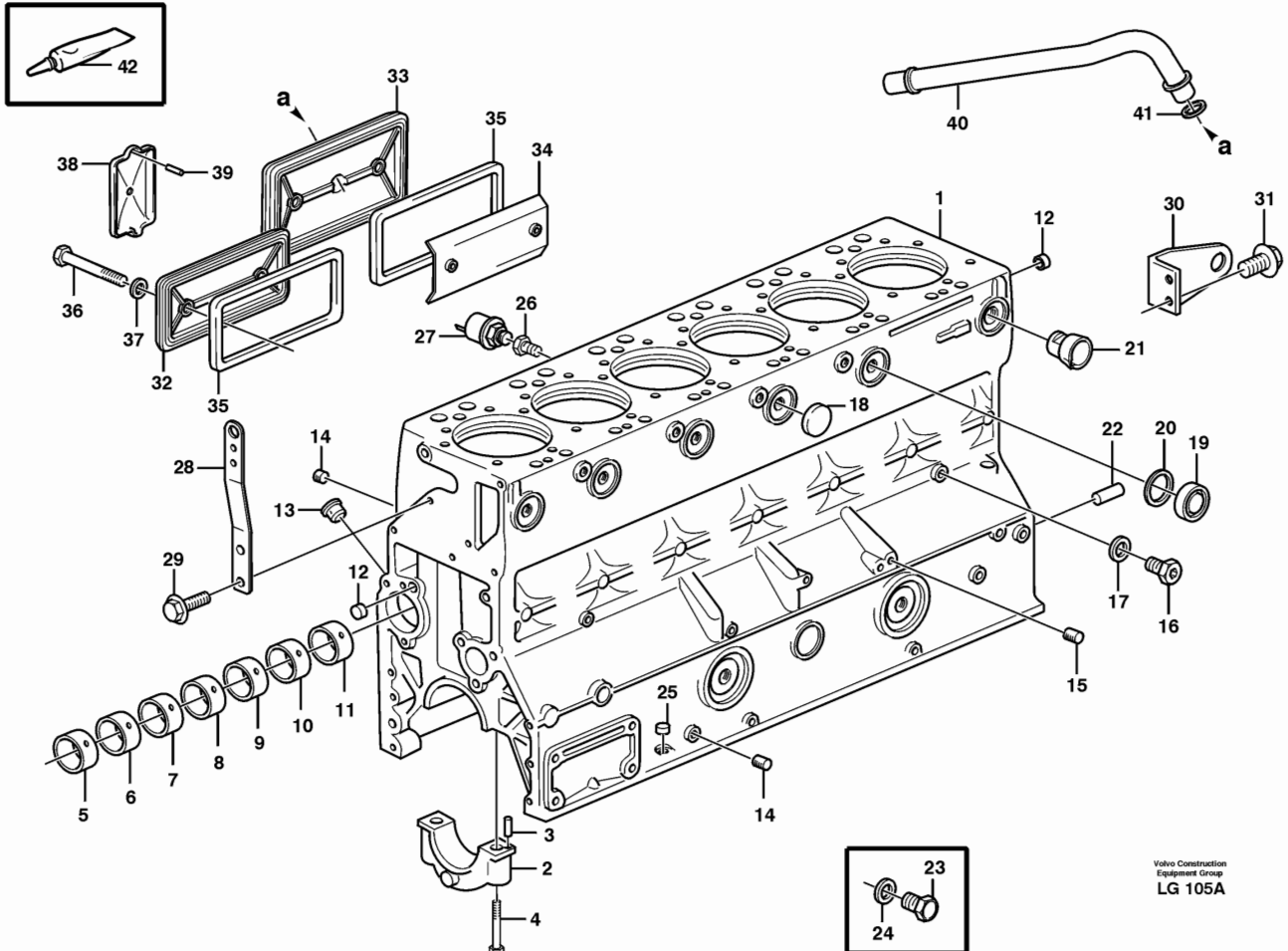


Volvo Construction
Equipment Group
LG 104A

Pos	Part	Q1	Q2	Q3	Q4	Q5	PS	Kit	Description	Option(s)	Remark
1	VOE420878	2					CS		Cylinder head		REMAN VOE9000420878
2	VOE420553	6					SS		•Inlet valve		
3	VOE8192143	6							•Exhaust valve		
4	VOE1677875	24							•Valve sleeve		
5	VOE465550	12							•Washer		
6	VOE465233	12							•Valve spring		
7	VOE465551	12							•Protecting sleeve		
8	VOE420874	6							•Valve seat		
9	VOE420875	6							•Valve seat		
10	VOE477792	12							•Valve guide		
11	VOE477024	8							•Expansion plug		
12	VOE466420	6							•Ring		
13	VOE466405	6							•Sealing ring		
14	VOE8192085	6							•Sleeve		

15	VOE466922	6							•Sealing ring		
16	VOE465420	4							•Nozzle		
16A	VOE422413	2							•Sealing ring		ID = 10
	VOE466421	16							•Sealing ring		ID = 15
	VOE465784	12							•Seal		ID = 25
17	VOE477026	14							•Expansion plug		
18	VOE947626	4							•Gasket		
19	VOE465840	40							•Screw		
20	VOE914456	4							••Retaining ring		
21		2					NS		••Pin		
22	VOE1665204	6					CS		••Bearing Bracket		
23	VOE7420129	3							••Rocker arm		
24	VOE422993	3					SS		•••Bolt		
25	VOE940175	3							•••Nut		
26	VOE420132	3							••Rocker arm		
27	VOE422993	3					SS		•••Bolt		
28	VOE940175	3							•••Nut		
29	VOE420125	12							•••Bushing		
30	VOE13955083	4							••Cap plug		
31	VOE411139	4							••Spring		
32	VOE471513	8							••Screw		
33	VOE471512	4							••Screw		
34	VOE8192015	1					CS		••Valve cover		
35	VOE8192016	1					CS		••Valve cover		
36	VOE8192009	2					CS		••Sealing strip		
37	VOE8148488	4							••Lock nut		
38	VOE8192526	4					CS		••Bushing		
39	VOE421753	1							••Filler cap		
40	VOE1275379	1							••Gasket		(VOE940096)

Date: 9/9/2025	Image id: LG105A	Catalogue: 99533	Model: EC200
Brand: Volvo	Serial: 2760-9999	Group/Section: 212/100	Title: Cylinder block

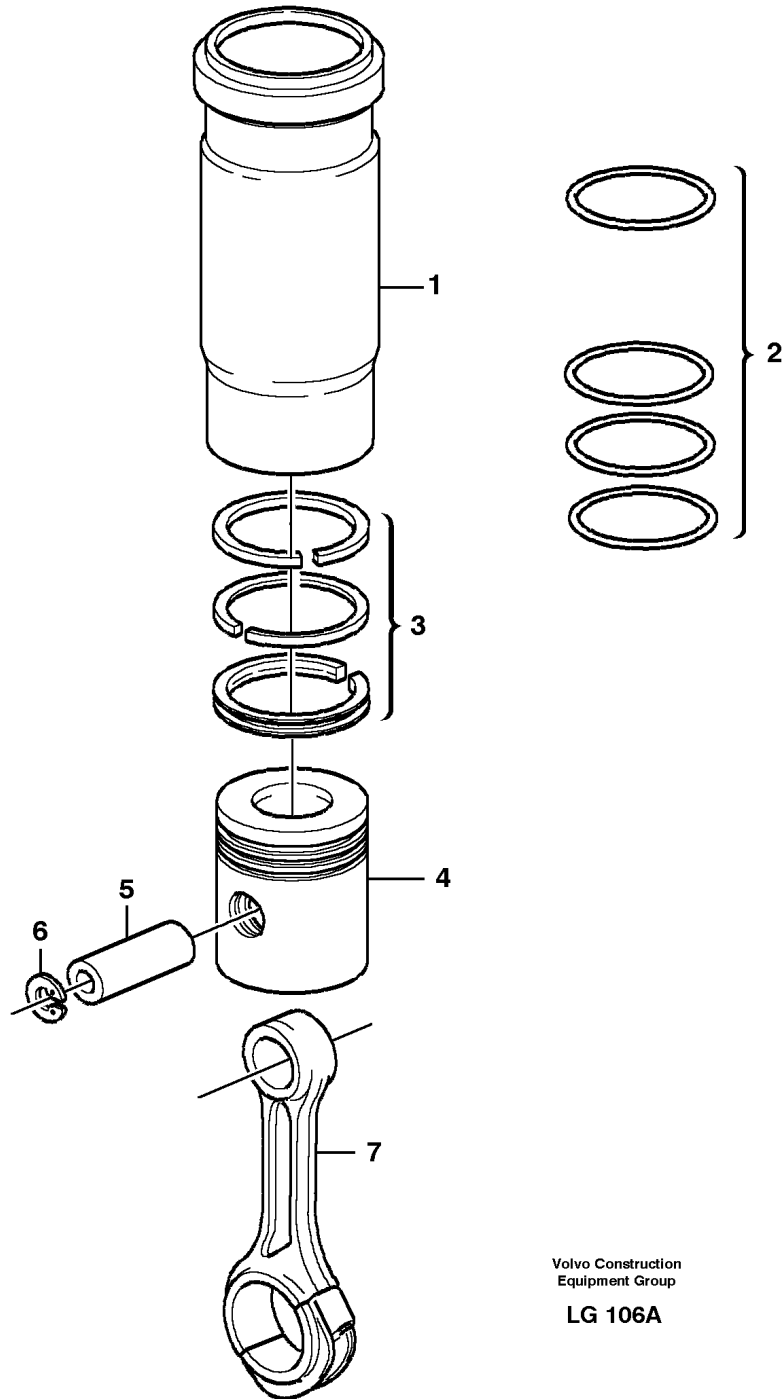


Volvo Construction
Equipment Group
LG 105A

Pos	Part	Q1	Q2	Q3	Q4	Q5	PS	Kit	Description	Option(s)	Remark
	VOE420990	1					CS		Cylinder block		
1		1					NS		•Cylinder block		
2		7					NS		•Cap		
3	VOE422426	1							•Pin		
4	VOE465899	14					CS		•Screw		
5	VOE422076	1							•Bushing		
6	VOE422077	1							•Bushing		(VOE7422077)
7	VOE422078	1							•Bushing		
8	VOE11000014	1							•Bushing		(VOE422079)
9	VOE422080	1							•Bushing		(VOE7422080)
10	VOE422081	1							•Bushing		
11	VOE422082	1							•Bushing		
12	VOE955082	6							•Cap plug		

13	VOE422369	2							•Plug		
14	VOE479979	5							•Plug		1/8"NPTF
15	VOE952076	3					SS		•Plug		3/8"NPTF
16	VOE13965768	1							•Plug		
17	VOE13947281	1							•Gasket		
18	VOE13968955	4							•Expansion plug		
19	VOE15134976	2							•Plug		(VOE467649)
20	VOE1556907	2							•Gasket		(VOE469328)
21	VOE421154	6							•Nozzle		
22	VOE191171	2							•Pin		(VOE191171)
23	VOE960630	1							Plug		
24	VOE13969011	1							Gasket		
25	VOE955082	2							Cap plug		
26	VOE835980	1							Nipple		
27	VOE864415	1					CS		Oil pressure sensor		
28		1					NS		Iron		Front / främre
29	VOE984815	2							Flange screw		(VOE13965191)
30		2					NS		Lifting eye		Rear / bakre
31	VOE984815	4							Flange screw		(VOE13965191)
32	VOE420120	1					CS		Inspection lid		
33	VOE420121	1							Hatch		
34	VOE3978045	1					CS		Splash plate		(VOE471858)
35	VOE20591544	2							Gasket		(VOE421121)
36	VOE471855	5							Screw		
37	VOE471856	5							Sealing ring		
38	VOE471854	1					CS		Cover		
39	VOE951974	1							Spring pin		
40	VOE11032901	1					CS		Breather pipe		
41	VOE421158	1							Sealing ring		
42	VOE1161277	REQ							Sealant		20 g

Date: 9/9/2025	Image id: LG106A	Catalogue: 99533	Model: EC200
Brand: Volvo	Serial: 2760-9999	Group/Section: 213/100	Title: Cylinder liner and piston

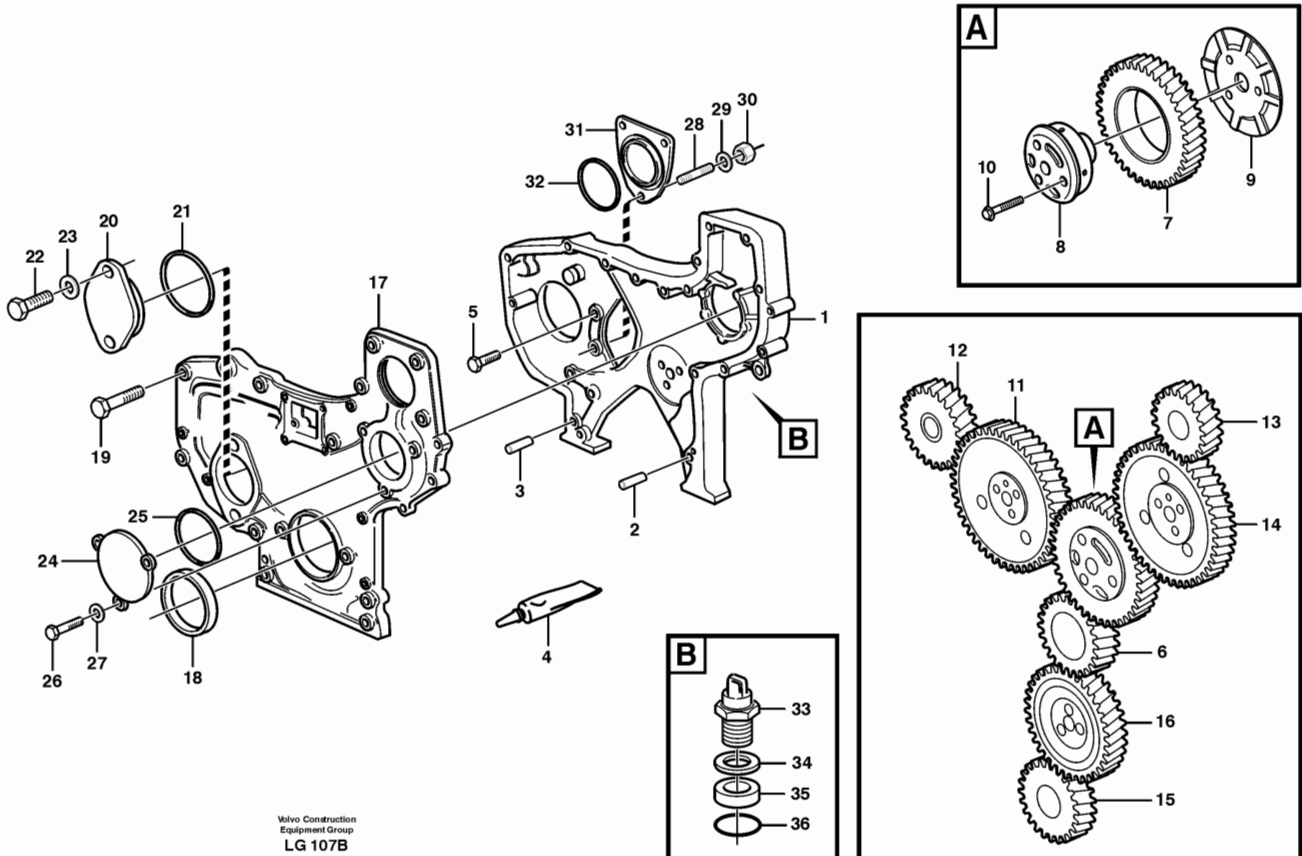


Volvo Construction
Equipment Group
LG 106A

Pos	Part	Q1	Q2	Q3	Q4	Q5	PS	Kit	Description	Option(s)	Remark
	VOE276929	6							Cylinder liner kit		
1		6					NS		•Cylinder liner		
2	VOE271161	6							•Sealing ring kit		

3	VOE270713	6							•Piston ring kit		
4		6					NS		•Piston		
5	VOE3978023	6					CS		•Piston Pin		
6	VOE914523	12							•Retaining ring		
7		6							Connecting rod		See ref 216/100

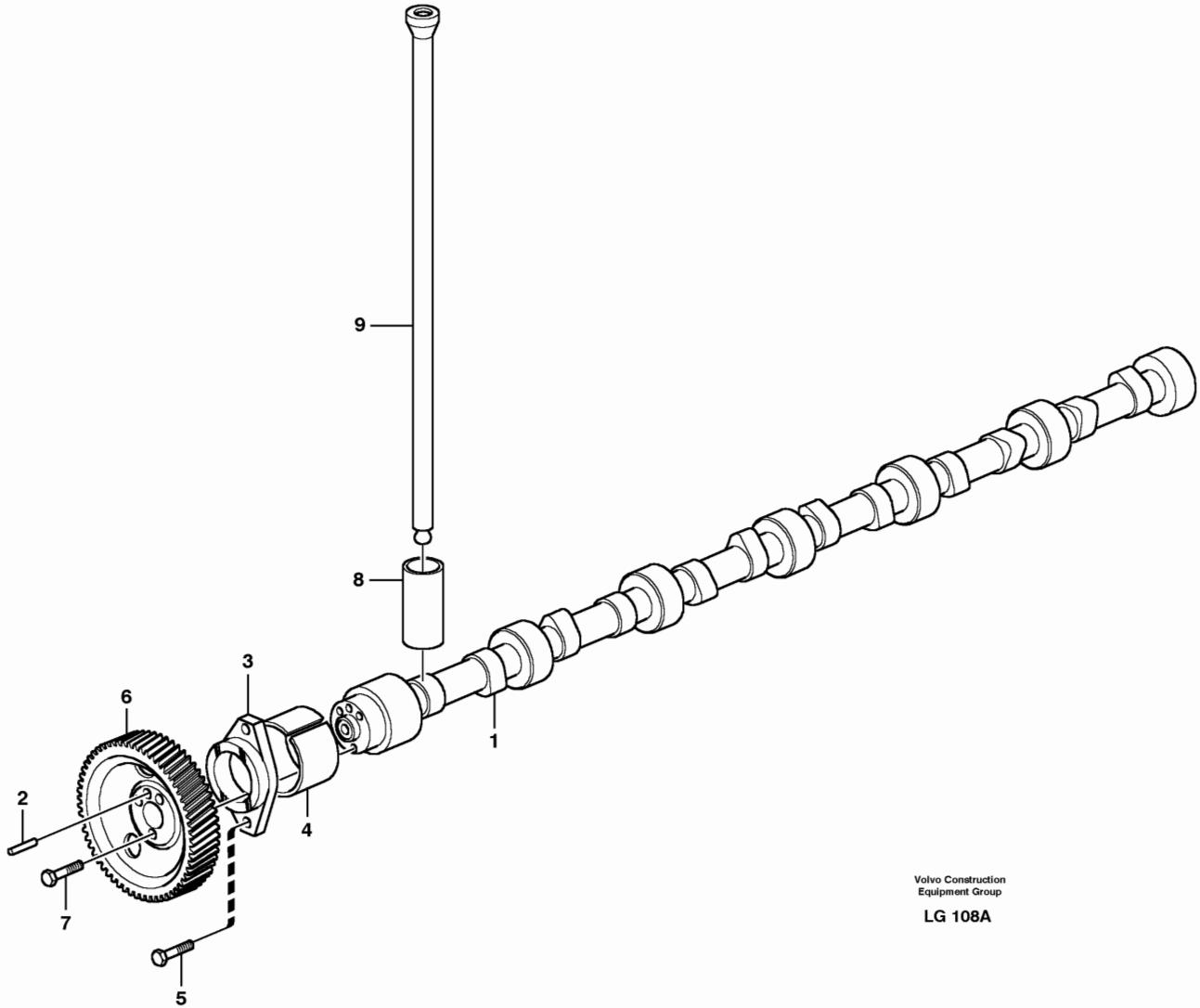
Date: 9/9/2025	Image id: LG107B	Catalogue: 99533	Model: EC200
Brand: Volvo	Serial: 2760-9999	Group/Section: 215/100	Title: Timing gear casing



Pos	Part	Q1	Q2	Q3	Q4	Q5	PS	Kit	Description	Option(s)	Remark
1	VOE8192775	1					SS		Timing gear casing		
2	VOE13941511	1							Pin		(941511)
3	VOE13941510	1							Pin		(941510)
4	VOE1161277	REQ							Sealant		20 g
5	VOE471534	2							Screw		L = 28
	VOE471535	2							Screw		L = 58
6		1							Gear		Crankshaft / vevaxel See ref 216/100
7	VOE8192518	1					CS		Idler gear		
		1					NS		•Bushing		(VOE471552)
8	VOE11704619						CS		Axle		
9	VOE478951	1							Thrust washer		(VOE467529)
10	VOE471554	3					CS		Screw		
11		1							Gear		Camshaft / kamaxel See ref 215/200
12		1							Gear		Servopump/Servo.p See ref 914/50

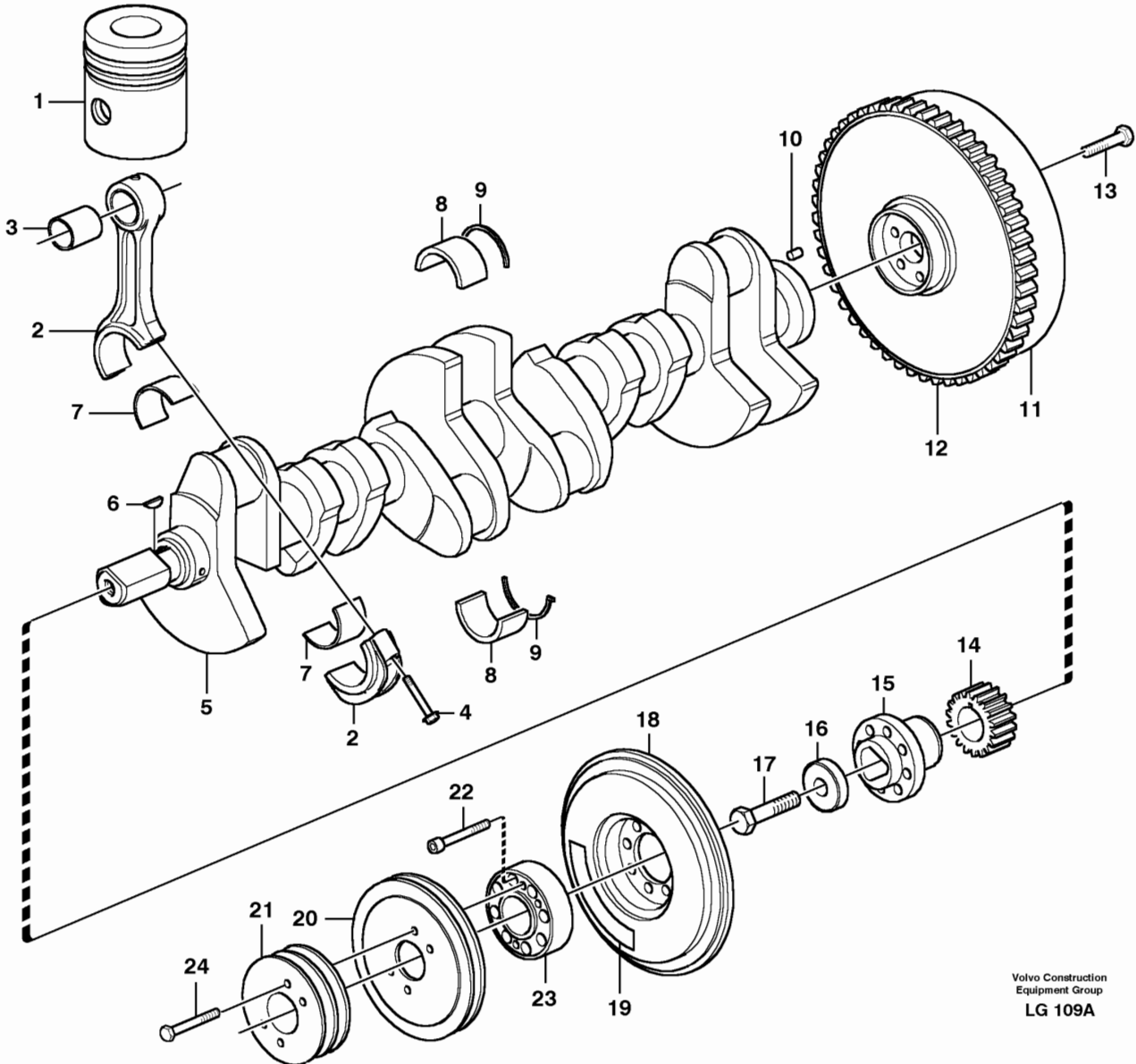
13		1							Gear		Waterpump/ Vattenpump See ref 262/100
14		1							Gear		Injct.pump/ Insprpump See ref 236/300
15		1							Gear		Oil pump / oljepump See ref 221/100
16		1							Gear		Oil pump/Oljepump See ref 221/100
17	VOE8192590	1						CS	Timing gear cover		
18	VOE477118	1							•Sealing ring		
19	VOE60113084	7							•Flange screw		(VOE13947760)L = 40: (947760)
	VOE60113085	2							•Flange screw		(VOE13948217)L = 45: (948217)
	VOE13965216	1							•Screw		L = 55: (965216)
	VOE60113091	6							•Flange screw		(VOE13965182)L = 80: (965182)
	VOE60113248	2							•Flange screw		(VOE13965183)L = 90: (965183)
	VOE965225	1							•Flange screw		M12, L = 35
20	VOE465735	1							Cover		
21	VOE925094	1							O-ring		
22	VOE60113094	2							Flange screw		(VOE946472)L = 30
	VOE60113100	2							Flange screw		(VOE13965187)L = 60: (965187)
23	VOE60111980	2							Plain washer		(VOE955895)
24	VOE471559	1							Cover		
25	VOE925257	1							O-ring		
26	VOE60113081	3							Flange screw		(VOE945444)
27	VOE13941907	3							Washer		(VOE941907)
28	VOE967951	3							Stud		
29	VOE955899	3							Plain washer		
30	VOE60113142	3							Flange nut		(VOE965484)
31	VOE420178	1							Cover		
32	VOE13975610	1							O-ring		(VOE413619)
33	VOE1502028	1						CS	Tachometer sensor		
34	VOE13947624	1							Plane gasket		
35	VOE863412	1						CS	Sleeve		
36	VOE925059	1							O-ring		(14012270)

Date: 9/9/2025	Image id: LG108A	Catalogue: 99533	Model: EC200
Brand: Volvo	Serial: 2760-9999	Group/Section: 215/200	Title: Camshaft



Pos	Part	Q1	Q2	Q3	Q4	Q5	PS	Kit	Description	Option(s)	Remark
1	VOE465787	1							Camshaft		
2	VOE950588	1							•Pin		
3	VOE465789	1							Flange		
4		7							Bearing bushing		See ref 212/100
5	VOE471509	2					CS		Screw		
6	VOE471528	1					CS		Gear		
7	VOE471554	3					CS		Screw		
8	VOE421067	12							Tappet		
9	VOE420021	12					CS		Rod		

Date: 9/9/2025	Image id: LG109A	Catalogue: 99533	Model: EC200
Brand: Volvo	Serial: 2760-9999	Group/Section: 216/100	Title: Crankshaft and related parts

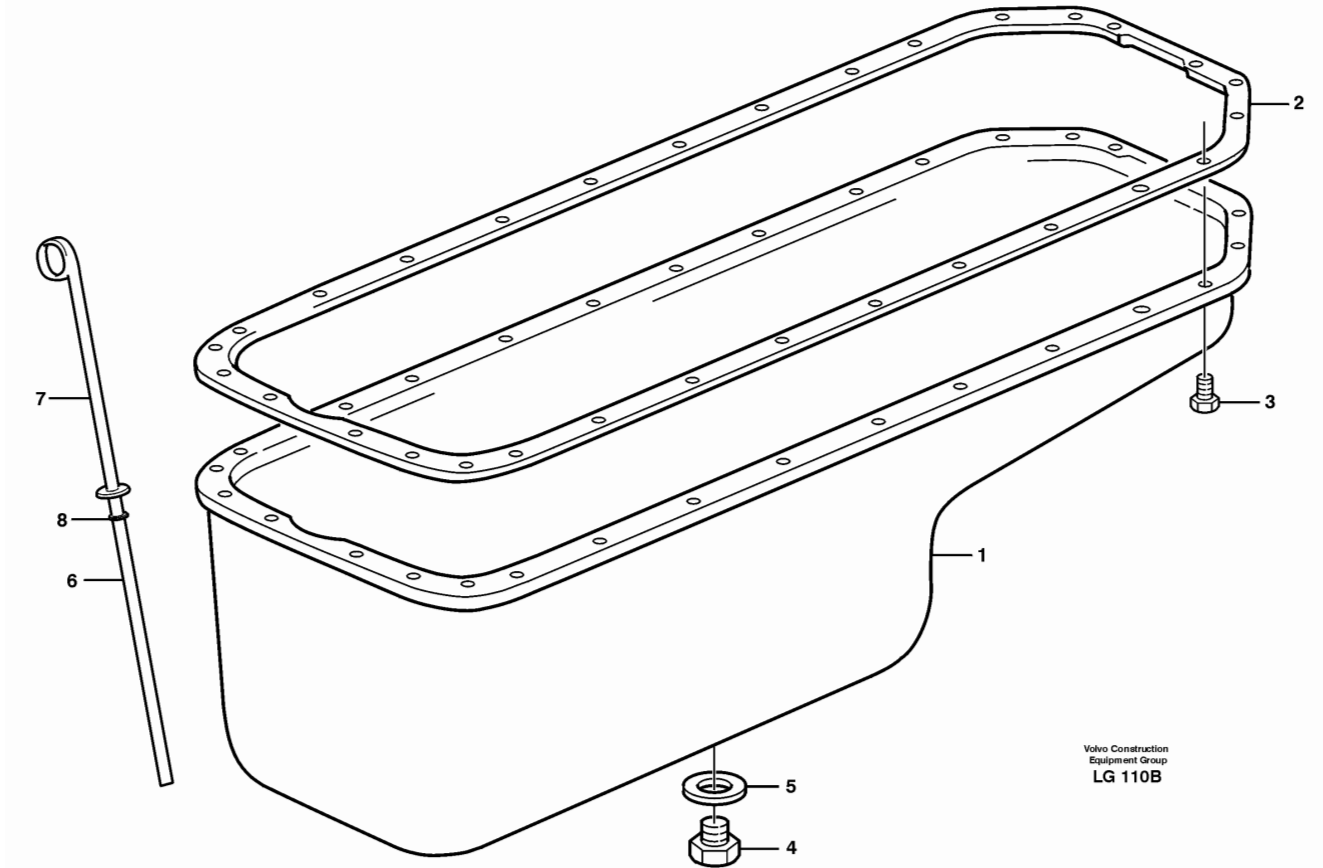


Volvo Construction
Equipment Group
LG 109A

Pos	Part	Q1	Q2	Q3	Q4	Q5	PS	Kit	Description	Option(s)	Remark
1		6							Cylinder liner kit		See ref 213/100
2	VOE8192120	6					SS		Connecting rod		
3	VOE465816	6							•Bushing		
4	VOE465815	12							•Screw		
5	VOE420662	1					SS		Crankshaft		ENG - 106089, 6 hole, REMAN VOE9000420662, VOE9024424610

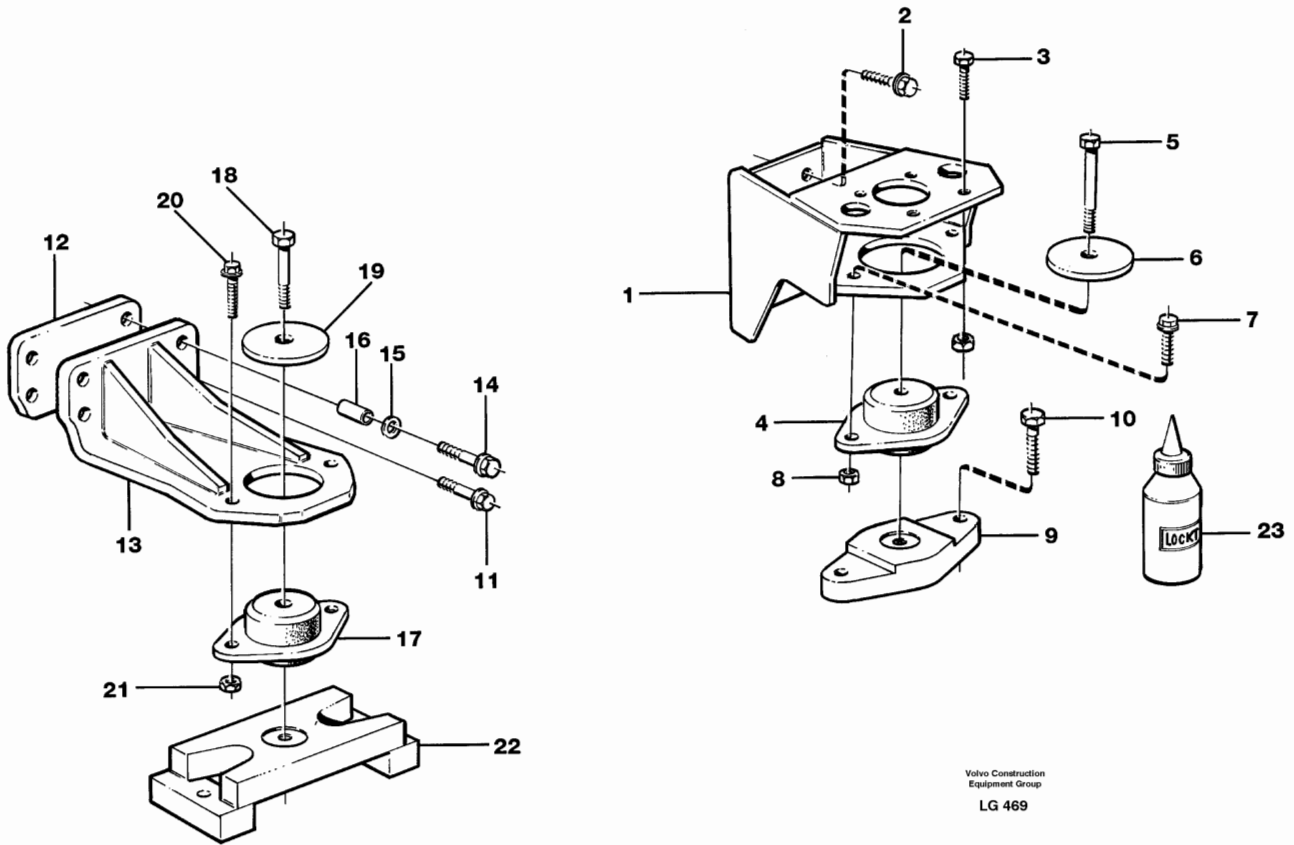
	VOE8192122	1					SS		Crankshaft		ENG 106090 -, 9 hole, REMAN VOE9008192122, VOE9024427376
6	VOE422253	1							•Key		
7		6							Big end brg kit		See ref 210/100
8		7							Mn bearing kit		
9		1							Thrust washer kit		See ref 210/100
10	VOE950677	1							Pin		
11	VOE864260	1					CS		Flywheel		ENG - 106089, 6 hole
	VOE3825732	1					CS		Flywheel		ENG 106090 -, 9 hole
12	VOE420314	1							•Gear ring		(VOE420067)
13	VOE465825	6-9							Screw		
14	VOE471528	1					CS		Gear		
15	VOE4772218	1							Hub		
16	VOE420124	1					CS		Washer		
17	VOE470366	1							Screw		
18	VOE421515	1					CS		Vibration damper		
19	VOE467834	1							Sign		
20	VOE4772217	1							Pulley		
21	VOE4772220	1					CS		Pulley		
22	VOE4772247	8					CS		Screw		
23	VOE465779	1							Hub		
24	VOE60113100	4							Flange screw		(VOE13965187)

Date: 9/9/2025	Image id: LG110B	Catalogue: 99533	Model: EC200
Brand: Volvo	Serial: 2760-9999	Group/Section: 217/100	Title: Oil sump



Pos	Part	Q1	Q2	Q3	Q4	Q5	PS	Kit	Description	Option(s)	Remark
1	VOE11162235	1					CS		Oil pan		(VOE465622)
2	VOE11030778	1							Gasket		(865341)
3	VOE984733	34							Flange screw		(VOE946440)
4	VOE13949175	1							Magnetic plug		(949175)
5	VOE949329	1							Gasket		
6	VOE862055	1					CS		Tube		
7	VOE11030836	1					CS		Oil dipstick		
8	VOE955984	1							O-ring		

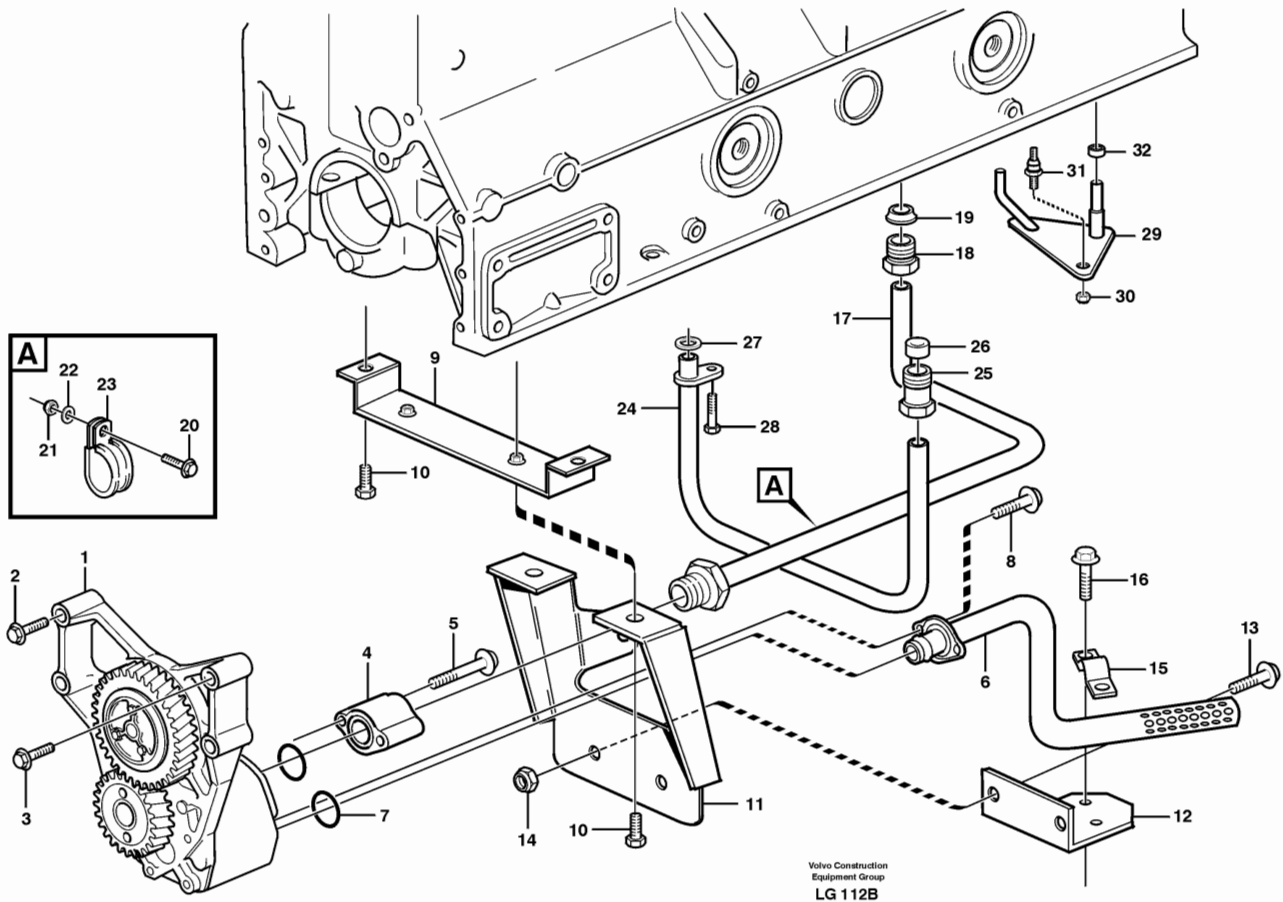
Date: 9/9/2025	Image id: LG469	Catalogue: 99533	Model: EC200
Brand: Volvo	Serial: 2760-9999	Group/Section: 218/200	Title: Engine mounting



Pos	Part	Q1	Q2	Q3	Q4	Q5	PS	Kit	Description	Option(s)	Remark
1	VOE14341798	2					CS		Engine anchorage		
2	VOE984815	8							Flange screw		(VOE13965191)
3	VOE60113106	4							Flange screw		(VOE13946817)RH - REAR
4	VOE14343641	2					CS		Rubber cushion		
5	VOE997467	2							Hexagon screw		(VOE13955374)
6	VOE14342464	2					CS		Washer		
7	VOE60113109	4							Flange screw		(VOE13965192)
8	VOE13971090	8							Lock nut		
9	VOE14341801	2					CS		Adapter		
10	VOE13955366	4							Screw		
11	VOE60113113	7							Flange screw		(VOE13965194)
12	VOE14341881	2					CS		Spacer		
13	VOE14343182	2					CS		Engine anchorage		
14	VOE60113119	1							Flange screw		(VOE13965197)
15	VOE14015146	1							Washer		
16	VOE14252182	1					CS		Spacer		

17	VOE14343640	2					CS		Rubber cushion		
18	VOE997467	2							Hexagon screw		(VOE13955374)
19	VOE14342464	2					CS		Washer		
20	VOE60113109	4							Flange screw		(VOE13965192)
21	VOE13971090	4							Lock nut		
22	VOE14342044	2					CS		Adapter		
23	VOE14024293	ERF					CS		Locking fluid		

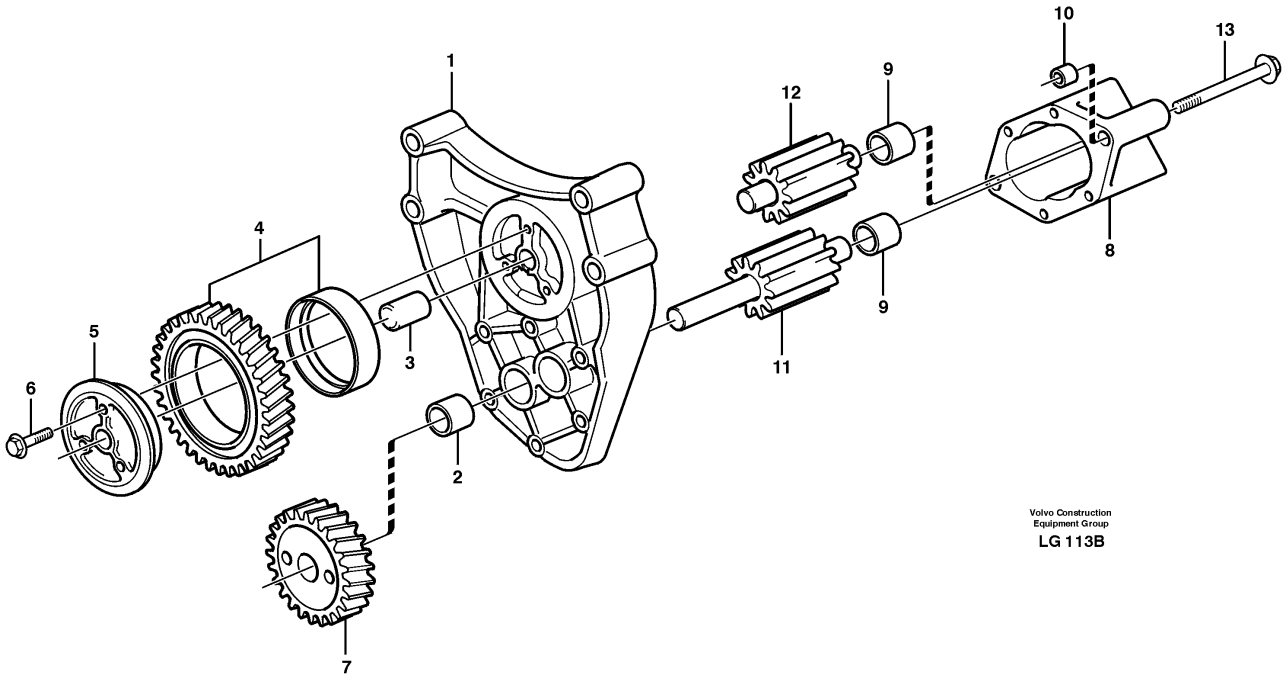
Date: 9/9/2025	Image id: LG112B	Catalogue: 99533	Model: EC200
Brand: Volvo	Serial: 2760-9999	Group/Section: 220/100	Title: Lubricating oil system



Pos	Part	Q1	Q2	Q3	Q4	Q5	PS	Kit	Description	Option(s)	Remark
1	VOE477547	1							Oil pump		
2	VOE471513	4							Screw		
3	VOE471734	2							Screw		
4	VOE465846	1							Sleeve		
5	VOE968553	2							Flange screw		L = 115 mm
	VOE984744	2							Flange screw		(VOE13965184)L = 100 mm
	VOE969225	2							Flange screw		L = 120 mm
6	VOE11030734	1					CS		Suction pipe		
7	VOE470383	2							Sealing ring		
8	VOE60113248	2							Flange screw		(VOE13965183)
9	VOE11030718	1					CS		Bracket		
10	VOE984733	4							Flange screw		(VOE946440)
11	VOE11030725	1					SS		Baffle plate		
12	VOE11030720	1					CS		Bracket		

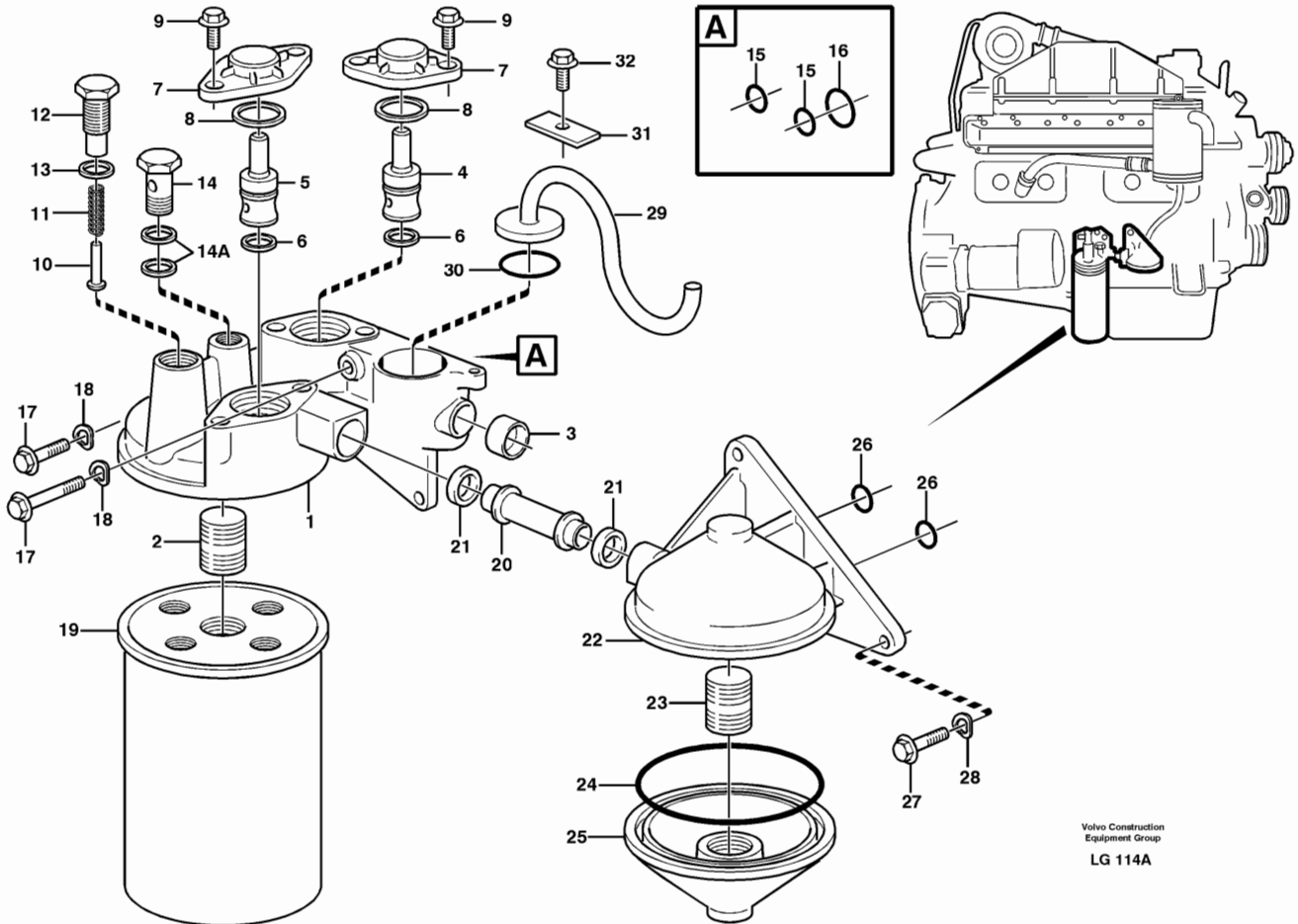
13	VOE984733	2							Flange screw		(VOE946440)
14	VOE946036	2							Lock nut		
15	VOE11030722	1							Clamp		
16	VOE60113069	2							Flange screw		(VOE13946544)
17	VOE420994	1						CS	Oil feed pipe		
18	VOE471588	1						CS	Connector		
19	VOE980786	1							Ferrule		
20	VOE984733	1							Flange screw		(VOE946440)
21	VOE60113140	1							Flange nut		(VOE13945408)
22	VOE994868	1							Plain washer		(VOE13955894)
23	VOE1545433	1						CS	Clamp		
24	VOE420996	1						CS	Oil feed pipe		
25	VOE471595	1						CS	•Connector		
26	VOE980786	1							•Ferrule		
27	VOE471956	1							Sealing ring		
28	VOE984733	1							Flange screw		(VOE946440)
29	VOE477437	6							Nozzle		
30	VOE13948570	6							Lock nut		
31	VOE471596	6							Stud		
32	VOE466874	6							Sealing ring		

Date: 9/9/2025	Image id: LG113B	Catalogue: 99533	Model: EC200
Brand: Volvo	Serial: 2760-9999	Group/Section: 221/100	Title: Oil pump



Pos	Part	Q1	Q2	Q3	Q4	Q5	PS	Kit	Description	Option(s)	Remark
	VOE477547	1							Oil pump		
	VOE471571	1					CS		•Bracket		
1		1					NS		••Bracket		
2	VOE470347	2						K	•••Bushing		
3	VOE191171	1							••Pin		(VOE191171)
4	VOE471942	1					CS		•Drive Gear		
5	VOE420048	1					CS		•Bearing sleeve		
6	VOE471586	1							•Screw		
7	VOE471941	1							•Drive Gear		
		1					NS		•Oil pump housing		
8		1					NS		••Housing		
9	VOE470347	2						K	•••Bushing		
10	VOE401146	1							••Guide sleeve		
11		1					NS	K	•Shaft		
12		1					NS	K	•Shaft		
13	VOE13965181	2							•Screw		(VOE965218)
	VOE276152	1					CS		Repair kit		

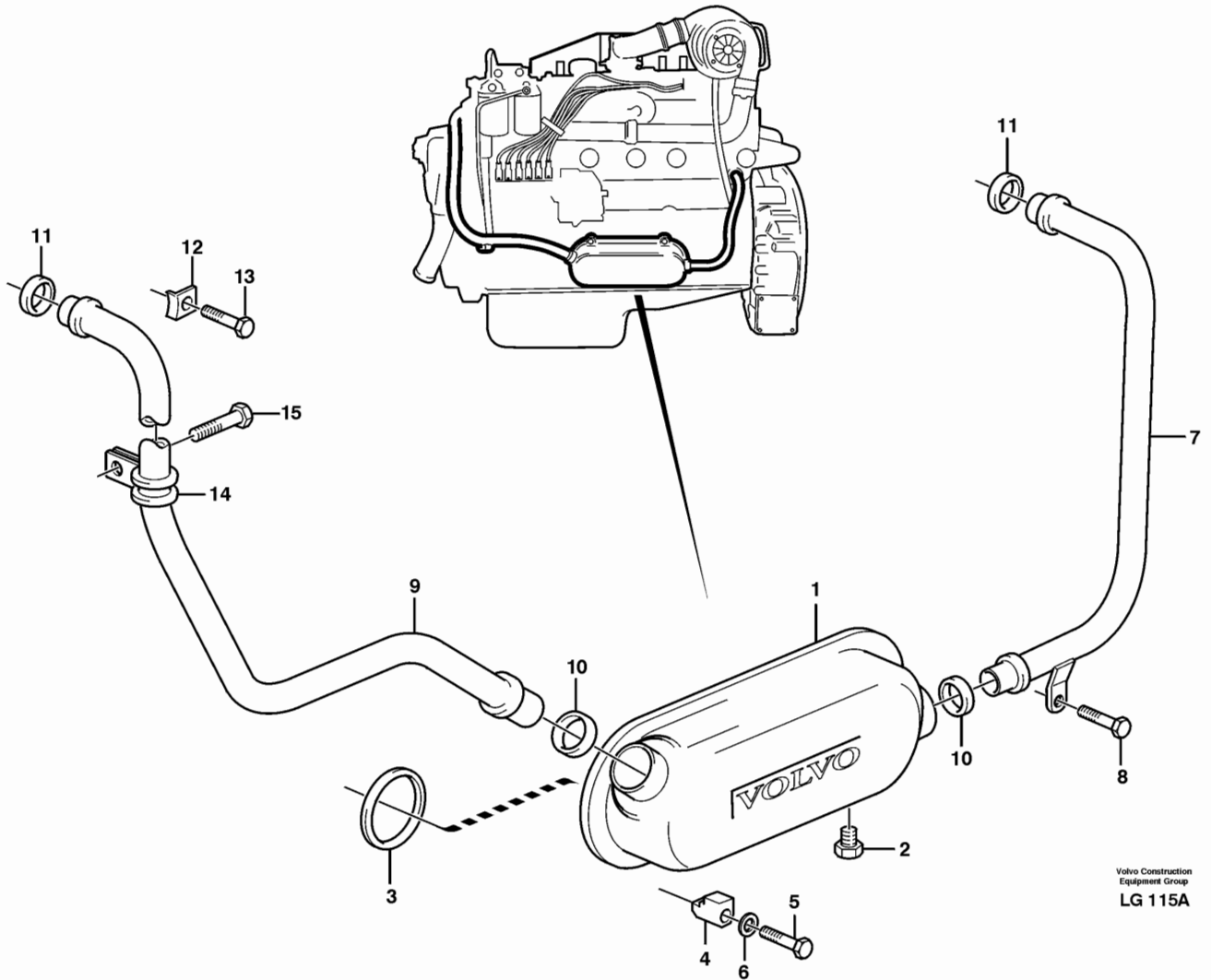
Date: 9/9/2025	Image id: LG114A	Catalogue: 99533	Model: EC200
Brand: Volvo	Serial: 2760-9999	Group/Section: 222/100	Title: Oil filter



Pos	Part	Q1	Q2	Q3	Q4	Q5	PS	Kit	Description	Option(s)	Remark
	VOE420928	1					CS		Oil filter housing		
1		1					NS		•Oil filter housing		
2	VOE466623	1							••Nipple		
3	VOE13948811	1							••Cap plug		
4	VOE471812	1							•Valve		BL
	VOE466445	1							••Compression spring		
5	VOE471640	1							•Reduction valve		RED
6	VOE469846	2							•Sealing ring		
7	VOE471648	2							•Cover		
8	VOE949659	2							•O-ring		
9	VOE60113069	4							•Flange screw		(VOE13946544)
10	VOE471085	1							•Valve cone		
11	VOE466653	1							•Compression spring		

12	VOE471598	1							•Plug		
13	VOE13947627	1							•Plane gasket		(VOE947627)
14	VOE941686	1							Hollow screw		See ref 255/100
14A	VOE7011996	2							Gasket		See ref 255/100
15	VOE13949656	2							O-ring		D = 19,2: (949656)
16	VOE13949722	1							O-ring		D = 36,2
17	VOE60113093	2							Flange screw		(VOE946329)L = 25
	VOE60113101	1							Flange screw		(VOE13965222)L = 65
18	VOE60112789	3							Spring washer		(VOE941908)
19	VOE21707134	1							Oil Filter		(VOE466634)
20	VOE465857	1					CS		Tube		
21	VOE471956	2							Sealing ring		
		1					NS		Housing		
22	VOE471601	1					CS		•Bracket		
23	VOE469904	1							•Nipple		
24	VOE13948981	1							O-ring		
25	VOE3812509	1					SS		Cover		(VOE848431)
26	VOE13949656	2							O-ring		
27	VOE60113093	3							Flange screw		(VOE946329)
28	VOE60112789	3							Spring washer		(VOE941908)
29	VOE11032938	1					CS		Oil return pipe		
30	VOE22194880	1							Sealing ring		(VOE421629)
31		1					NS		Sstiker plate		
32	VOE984733	1							Flange screw		(VOE946440)TD 63 KHE

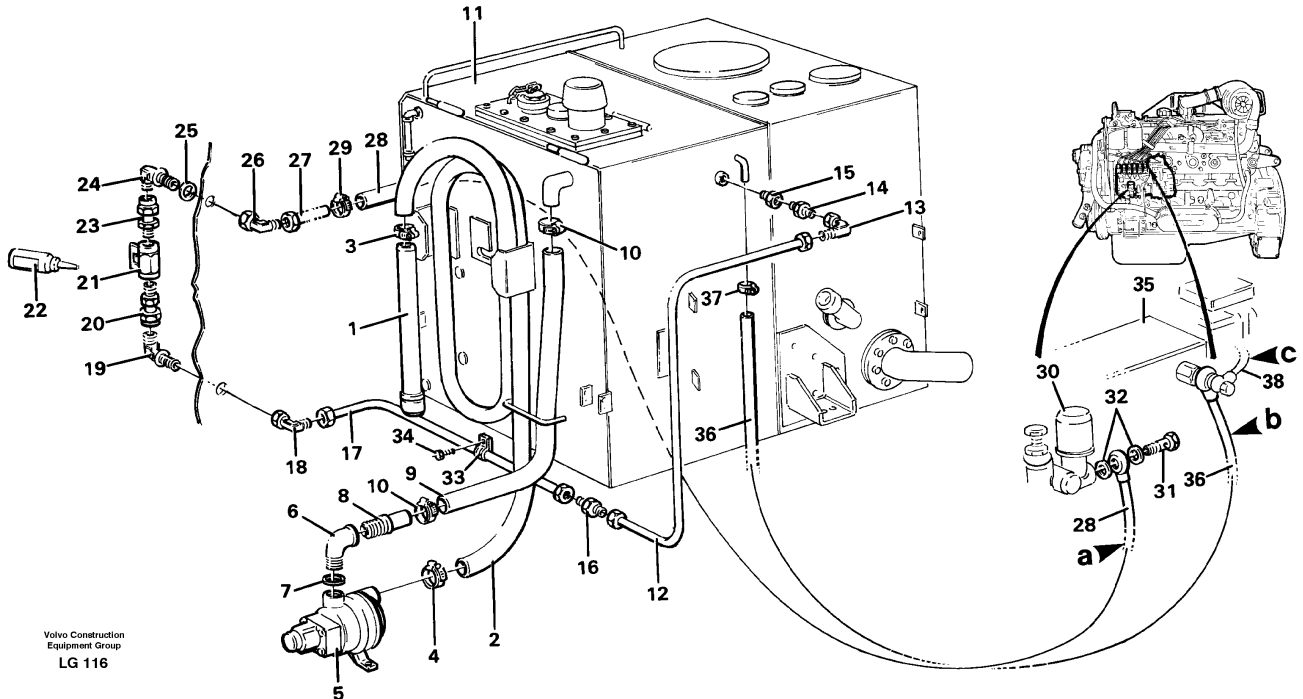
Date: 9/9/2025	Image id: LG115A	Catalogue: 99533	Model: EC200
Brand: Volvo	Serial: 2760-9999	Group/Section: 223/100	Title: Oil cooler



Pos	Part	Q1	Q2	Q3	Q4	Q5	PS	Kit	Description	Option(s)	Remark
1	VOE1661254	1							Oil cooler		
2	VOE180759	1							•Plug		
3	VOE471467	2							Sealing ring		
4	VOE471804	4							Retainer		
5	VOE60113098	4							Flange screw		(VOE965186)
6	VOE60112789	4							Spring washer		(VOE941908)
7	VOE848467	1							Coolant pipe		
8	VOE984733	1							Flange screw		(VOE946440)
9	VOE849672	1					CS		Coolant pipe		
10	VOE471708	2							Sealing ring		

11	VOE471637	2							Sealing ring		
12	VOE421654	2							Clamp		
13	VOE60113523	1							Flange screw		(VOE13949846) (949846)
14	VOE968508	1							Clamp		
15	VOE984733	1							Flange screw		(VOE946440)

Date: 9/9/2025	Image id: LG116	Catalogue: 99533	Model: EC200
Brand: Volvo	Serial: 2760-9999	Group/Section: 230/100	Title: Fuel system



Pos	Part	Q1	Q2	Q3	Q4	Q5	PS	Kit	Description	Option(s)	Remark
1	VOE14041894	1					CS		Suction pipe		
	VOE925064	1							•O-ring		(14012285)
2	VOE14241993	1					SS		Hose		
3	VOE14211530	1					CS		Hose clamp		
4	VOE943476	1							Hose clamp		(14025800)
5		1							Fuel filling pump		See ref 234/200
6	VOE14013464	1					CS		Pipe bend		
7	VOE14213786	REQ					CS		Sealant		
8	VOE14041887	1					CS		Nipple		
9	VOE14049035	1					SS		Hose		
10	VOE943476	2							Hose clamp		(14025800)
11		1							Fuel tank		See ref 234/100
12	VOE14245807	1					CS		Tube Assembly		
	VOE14012452	2							•Nut		
	VOE956971	2							•Ferrule		(VOE14012366)
13	VOE14012395	1					CS		Fitting		
	VOE14012452	2							•Nut		
	VOE14213279	1					CS		•O-ring		
14	VOE14012423	1					CS		Fitting		
	VOE14211858	1							•Sealing ring		

Product: Volvo EC200 Excavators Part Manual

Full Download: <https://www.aresairmanual.com/downloads/volvo-ec200-excavators-part-manual/>

15	VOE14052741	1					CS	Rdc Bushing		
	VOE14211856	1						•Sealing ring		
16	VOE14012404	1					SS	Fitting		
17	VOE14245806	1					CS	Tube Assembly		
	VOE14012452	2						•Nut		
	VOE956971	2						•Ferrule		(VOE14012366)
18	VOE14012395	1					CS	Fitting		
	VOE14213279	1					CS	•O-ring		
19	VOE14012502	1					CS	Fitting		
20	VOE14245019	1					CS	Fitting		
21	VOE14214401	1					CS	Ball cock		
22	VOE14024293	REQ					CS	Locking fluid		250 ml
23	VOE14044957	1					CS	Fitting		
24	VOE14012501	1					CS	Fitting		
25	VOE60110349	1						Washer		(VOE14015138)
26	VOE14012393	1						Fitting		
	VOE14211900	1					CS	•O-ring		
27	VOE14245792	1					CS	Tube Assembly		
	VOE956983	1						•Fitting nut		(VOE14012449)
	VOE980781	1						•Ferrule		(VOE14012364)
28	VOE14014146	REQ					CS	Oil hose		(14047580) L=3600MM
29	VOE943470	1						Hose clamp		(VOE14013952)
30		1						Feed pump		See ref 233/100
31	VOE60113509	1						Hollow screw		(VOE7025167)
32	VOE13969011	2						Gasket		
33	VOE952628	1						Clamp		(VOE14013853)
34	VOE13946501	1						Screw		(VOE14213327)
35		1						Injection pump		See ref 236/100
36	VOE14014146	REQ					CS	Oil hose		(14053463) L=2400MM
37	VOE943470	1						Hose clamp		(VOE14013952)
38	VOE848466	1					CS	Leak-off line		

Sample of manual. Download All 502 pages at:

<https://www.aresairmanual.com/downloads/volvo-ec200-excavators-part-manual/>