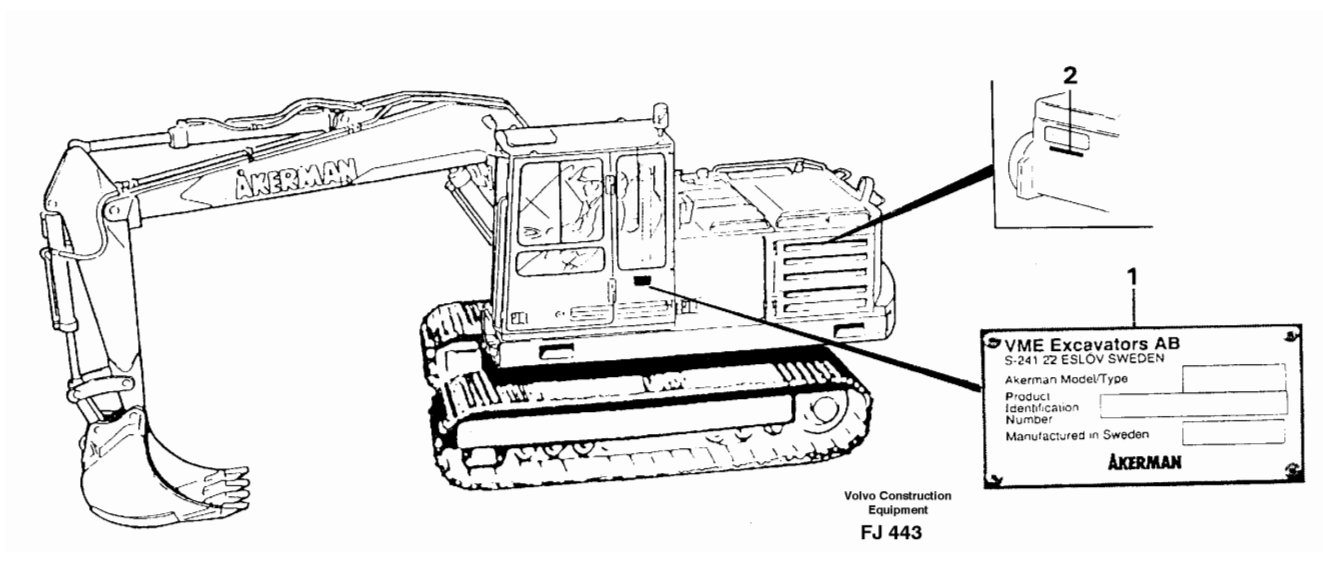
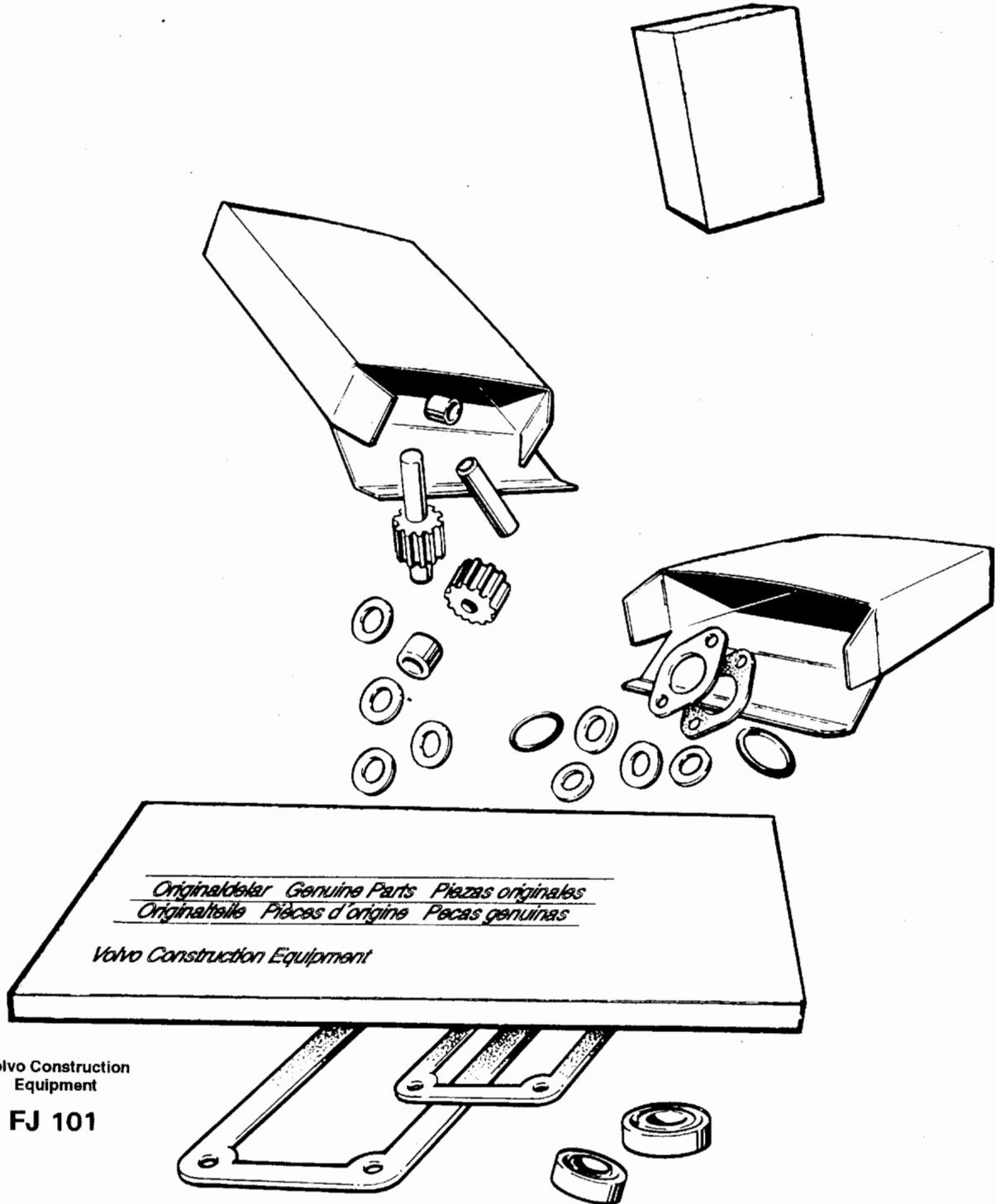


Date: 9/9/2025	Image id: FJ443	Catalogue: 99506	Model: EC200
Brand: Åkerman	Serial: 2101-2759	Group/Section: 030/100	Title: Product identification plate



Pos	Part	Q1	Q2	Q3	Q4	Q5	PS	Kit	Description	Option(s)	Remark
1									Product sign plate		
2									Engine sign plate		

Date: 9/9/2025	Image id: FJ101	Catalogue: 99506	Model: EC200
Brand: Åkerman	Serial: 2101-2759	Group/Section: 210/100	Title: Repair kits for engine



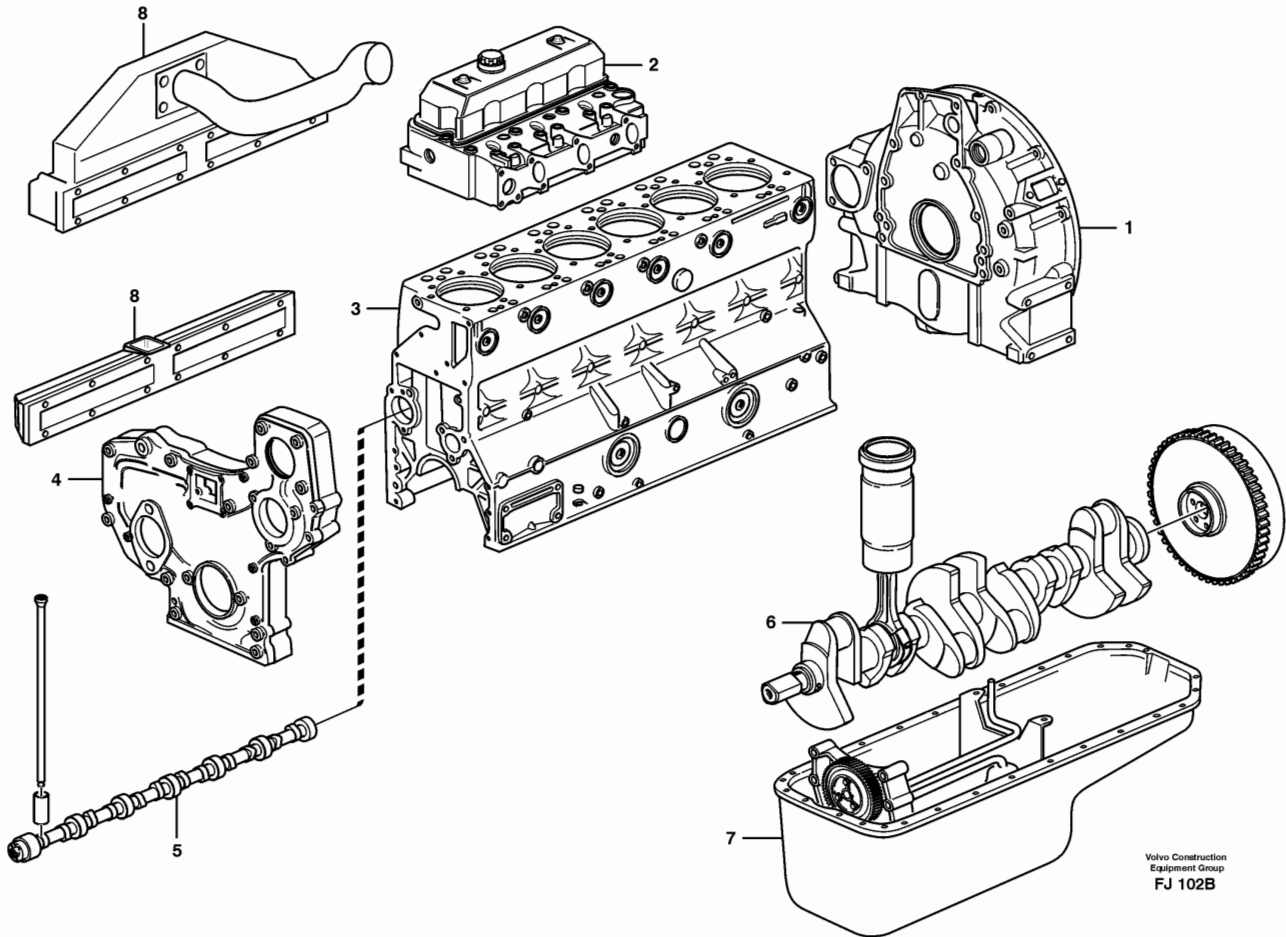
Q1-Q5	Option	Option description	
Q1 TD 61 GE			
Q2 TD 63 KHE			

Pos	Part	Q1	Q2	Q3	Q4	Q5	PS	Kit	Description	Option(s)	Remark
	VOE276821	2	2						Gasket kit		FOR CYLINDER HEAD / FÖR CYLINDERLOCK
	VOE876199	6							Cylinder liner kit		
	VOE276929		6						Cylinder liner kit		
	VOE271161	6	6						•Sealing ring kit		
	VOE276310	6	6						•Piston ring kit		
		6							Big end bearing kit		
		7	7						Mn bearing kit		
	VOE276751	1	1						Thrust washer kit		STD
	VOE276151	1							Repair kit		FOR OIL PUMP / FÖR OLJEPUMP
	VOE276152		1				CS		Repair kit		FOR OIL PUMP / FÖR OLJEPUMP
	VOE276835	1					SS		Repair kit		FOR WATER PUMP / FÖR VATTENPUMP
	VOE276804		1				SS		Water pump kit		
	VOE11997139	1					CS		Overhaul kit		Step 1 / steg 1
	VOE276821	2							•Gasket kit		
	VOE275776	1	1						•Gasket kit		Supplementary for decar - bonizing the engine / tillägg för sotning
	VOE1661993	1							•Thermostat		
	VOE471682	3							•Gasket		(VOE424619)
	VOE420538	6							•Gasket		
	VOE420618	2							•Gasket		
	VOE11997140	1					CS		Overhaul kit		Step 1 supplement / steg 1 tillägg
	VOE465158	6							•Valve seat		
	VOE465155	6					CS		•Valve seat		
	VOE420553	6					SS		•Inlet valve		

VOE8192143	6							•Exhaust valve		(VOE465549)
VOE477792	12							•Valve guide		
VOE270575	6					SS		•Repair kit		
VOE11997143	1					CS		Overhaul kit		
VOE270139	6							•Piston Bearing		
VOE876199	6							•Cylinder liner kit		
VOE465815	12							•Screw		
VOE11030778	1							•Gasket		
VOE11997145	1					CS		Overhaul kit		Step 3 / steg 3
VOE271230	7	7						•Main bearing kit		
VOE276751	1							•Thrust washer kit		
VOE11997140	1					CS		•Overhaul kit		
VOE11997136	1					CS		•Gasket kit		
VOE11997136	1					CS		Gasket kit		Supplementary set for major overhaul of engine /
										Tilläggsats för helrenovering
VOE420641	1					SS		•Gasket		
VOE420643	1							•Gasket		
VOE20591544	2							•Gasket		(VOE421121)
VOE845515	2							•Gasket		
VOE862619	2							•Gasket		
VOE1275379	1							•Gasket		(VOE940096)
VOE947620	14							•Gasket		
VOE4804167	1							•Gasket		
VOE11030013	1							•Gasket		
VOE13947281	6							•Gasket		
VOE13947282	2							•Gasket		
VOE13969011	14							•Gasket		
VOE13947627	3							•Plane gasket		(VOE947627)
VOE949329	1							•Gasket		
VOE957171	1							•Gasket		
VOE13947624	3							•Plane gasket		
VOE13947625	1							•Plane gasket		
VOE421158	1							•Sealing ring		
VOE22194880	1							•Sealing ring		(VOE421629)
VOE925094	1							•O-ring		(VOE465058)
VOE469455	6							•Sealing ring		
VOE469483	2							•Sealing ring		
VOE470383	2							•Sealing ring		

VOE471321	1								•Sealing ring		
VOE471626	3								•Sealing ring		
VOE471637	2								•Sealing ring		
VOE471708	2								•Sealing ring		
VOE471856	5								•Sealing ring		
VOE471956	6								•Sealing ring		
VOE477118	1								•Sealing ring		
VOE11030751	2								•Sealing ring		
VOE477059	1								•O-ring		
VOE925057	2								•O-ring		
VOE977015	1								•O-ring		(VOE925092)
VOE925094	1								•O-ring		
VOE925256	1								•O-ring		
VOE925257	1								•O-ring		
VOE13925095	1								•O-ring		
VOE13948981	1								•O-ring		
VOE13949656	2								•O-ring		
VOE13949722	1								•O-ring		
VOE13975610	1								•O-ring		
VOE477119	1								•Crankshaft seal		

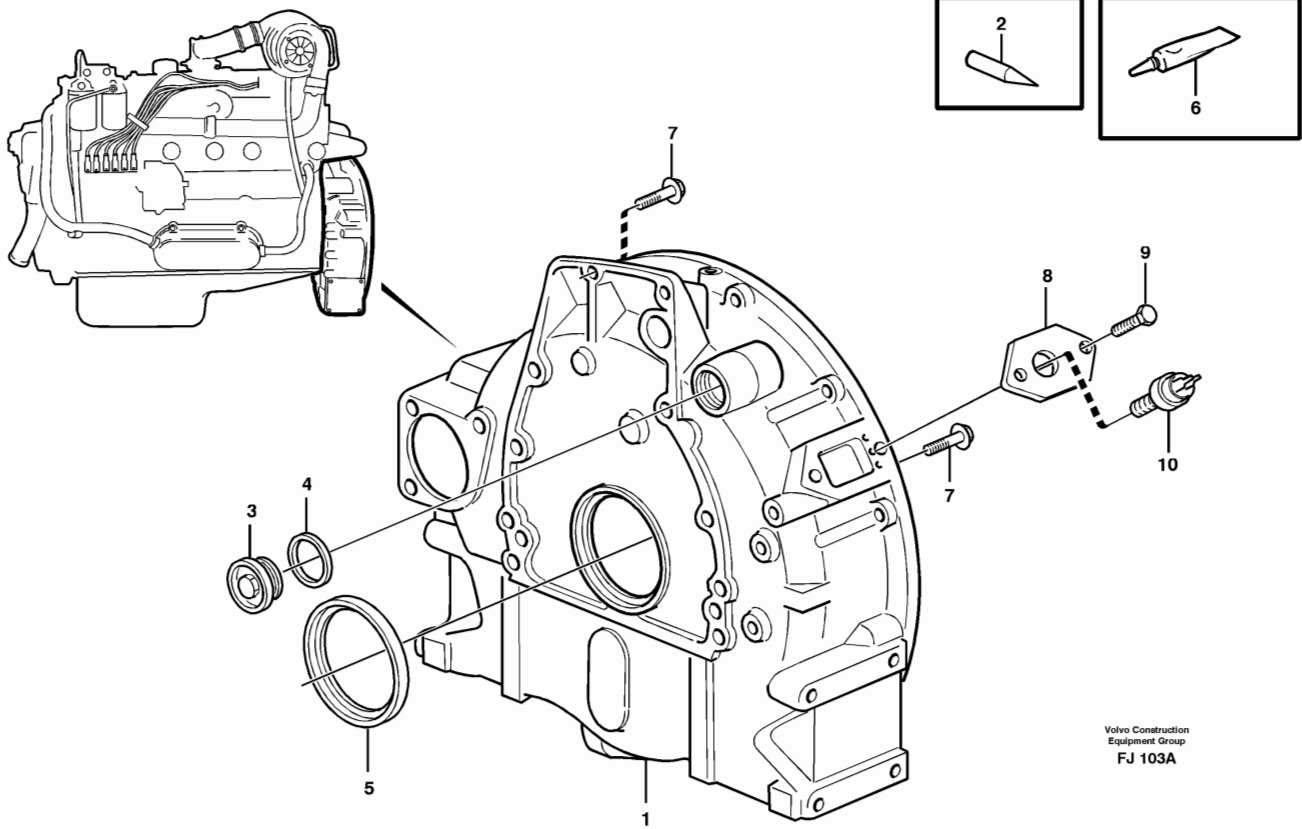
Date: 9/9/2025	Image id: FJ102B	Catalogue: 99506	Model: EC200
Brand: Åkerman	Serial: 2101-2759	Group/Section: 210/200	Title: Engine



Pos	Part	Q1	Q2	Q3	Q4	Q5	PS	Kit	Description	Option(s)	Remark
	VOE15003893	1					CS		Engine		(VOE497038)TD 61 GE, REMAN VOE9000497038, VOE9015003893
	VOE15004130	1					CS		Engine		(VOE8188109)TD 63 KHE, REMAN VOE9008188109, VOE9015004130
1									Flywheel housing		See ref 210/300
2									Cylinder head		See ref 211/100
3									Cylinder block		See ref 212/100
4									Timing gear casing		See ref 215/100
5									Camshaft		See ref 215/200
6									Crank mechanism		See ref 216/100
7									Oil sump		See ref 217/100
8									Inlet manifold		TD 61 GE See ref

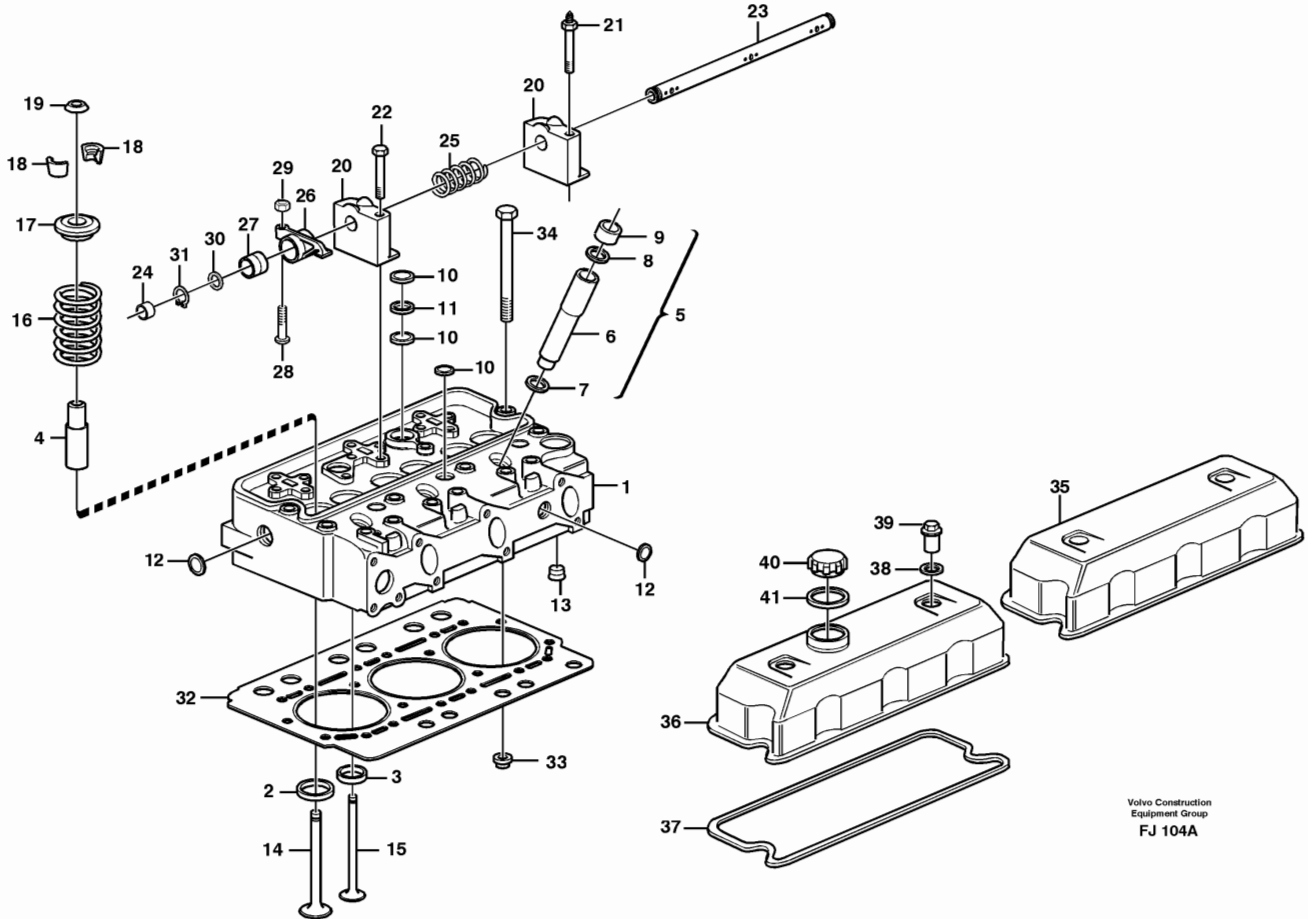
										251/200
								Charge air cooler		TD 63 KHE See ref 251/260

Date: 9/9/2025	Image id: FJ103A	Catalogue: 99506	Model: EC200
Brand: Åkerman	Serial: 2101-2759	Group/Section: 210/300	Title: Flywheel housing



Pos	Part	Q1	Q2	Q3	Q4	Q5	PS	Kit	Description	Option(s)	Remark
1	VOE11701518	1					SS		Flywheel housing		
2	VOE864494	1							Setting indicator		
3	VOE15134976	1							Plug		(VOE467649)
4	VOE1556907	1							Gasket		(VOE469328)
5	VOE477119	1							Crankshaft seal		
6	VOE1161277	REQ							Sealant		20 g
7	VOE13966361	6							Flange screw		L = 55
	VOE984858	2							Flange screw		(VOE13966363)L = 65
	VOE968753	2					CS		Flange screw		L = 75
8	VOE14254562	1					CS		Attachment		
9	VOE13955272	2							Screw		
10	VOE14215228	1							Tachometer sensor		

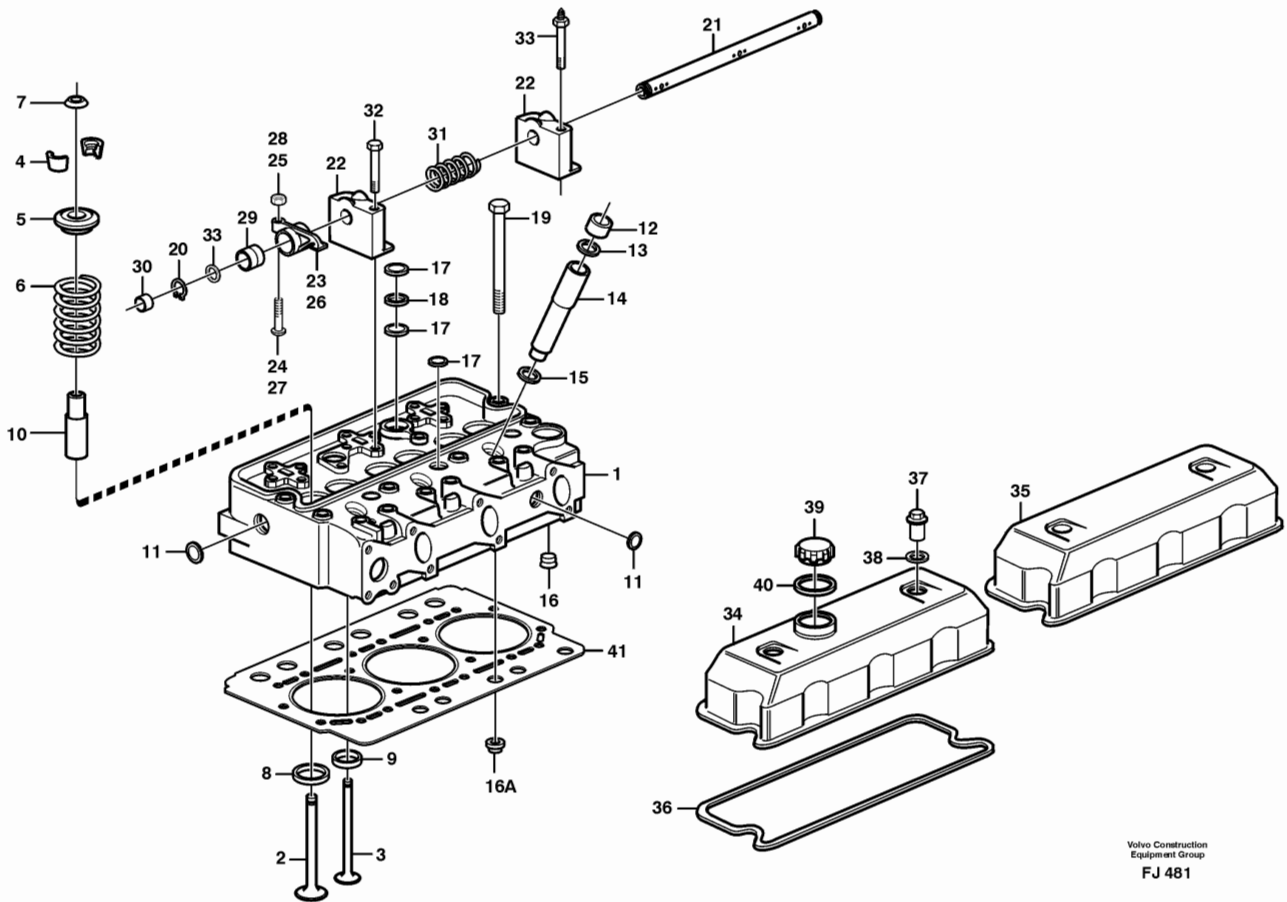
Date: 9/9/2025	Image id: FJ104A	Catalogue: 99506	Model: EC200
Brand: Åkerman	Serial: 2101-2759	Group/Section: 211/100	Title: Cylinder head TD 61 GE



Pos	Part	Q1	Q2	Q3	Q4	Q5	PS	Kit	Description	Option(s)	Remark
	VOE420508	2					CS		Cylinder head		REMAN VOE9000420508
		2					NS		•Cylinder head		TD 61 GE
1		2					NS		••Cylinder head		
2	VOE465158	6							•••Valve seat		STD: inlet / insug
	VOE465238	6							•••Valve seat		0,20 O SZ
3	VOE465155	6					CS		•••Valve seat		STD: exhaust / avgas
	VOE465236	6					CS		•••Valve seat		0,20 O SZ
4	VOE477792	12							•••Valve guide		
5	VOE270575	2					SS		••Repair kit		
6	VOE8192085	6							•••Sleeve		(VOE466404)
7	VOE466922	6							•••Sealing ring		
8	VOE466405	6							•••Sealing ring		
9	VOE466420	6							•••Ring		
10	VOE477026	14							•••Expansion plug		

11	VOE947626	4							•••Gasket		
12	VOE477024	8							•••Expansion plug		
13	VOE465420	4							•••Nozzle		
14	VOE420553	6					SS		•Inlet valve		
15	VOE8192143	6							•Exhaust valve		(VOE465549)
16	VOE465233	12							•Valve spring		
17	VOE465550	12							•Washer		
18	VOE1677875	24							•Valve sleeve		
19	VOE465551	12							•Protecting sleeve		
20	VOE1665204	6					CS		Bearing Bracket		(VOE465793)
21	VOE471512	4							Screw		
22	VOE471513	8							Screw		
23	VOE465790	2					CS		Shaft		
24	VOE13955083	4							•Cap plug		(VOE955083)
25	VOE411139	4							Spring		
26	VOE7420129	6							Rocker arm		inlet / insug
	VOE420132	6							Rocker arm		exhaust / avgas
27	VOE420125	12							•Bushing		(VOE7420125)
28	VOE422993	12					SS		•Bolt		(VOE423058)
29	VOE940175	12							•Nut		
30	VOE7400722	4							Shim		(VOE400722)
31	VOE914456	4							Retaining ring		
	VOE276821	2							Gasket kit		
32		2					NS		•Gasket		cylinderhuvud
33	VOE422413	2							•Sealing ring		ID = 10
	VOE466421	16							•Sealing ring		ID = 15
	VOE465784	12							•Seal		ID = 25
34	VOE465840	40							Screw		
35	VOE465951	1					CS		Valve cover		
36	VOE465950	1					CS		Valve cover		
37	VOE465952	2							Gasket		
38	VOE471856	4							Sealing ring		
39	VOE465961	4							Cap nut		
40	VOE421753	1							Filler cap		
41	VOE1275379	1							Gasket		(VOE940096)

Date: 9/9/2025	Image id: FJ481	Catalogue: 99506	Model: EC200
Brand: Åkerman	Serial: 2101-2759	Group/Section: 211/200	Title: Cylinder head TD 63 KHE

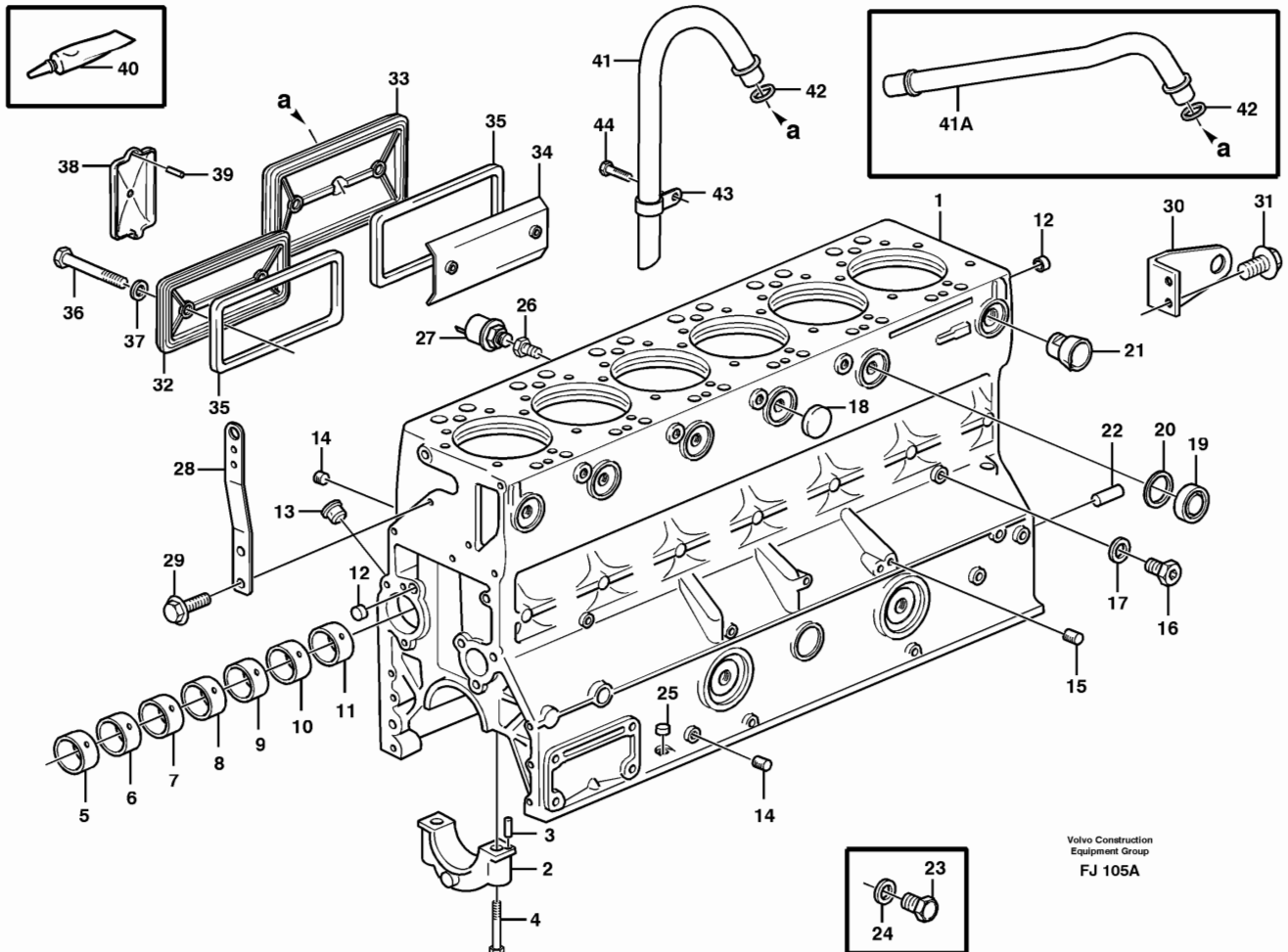


Volvo Construction
Equipment Group
FJ 481

Pos	Part	Q1	Q2	Q3	Q4	Q5	PS	Kit	Description	Option(s)	Remark
1	VOE420878	2					CS		Cylinder head		REMAN VOE9000420878
2	VOE420553	6					SS		•Inlet valve		
3	VOE8192143	6							•Exhaust valve		
4	VOE1677875	24							•Valve sleeve		
5	VOE465550	12							•Washer		
6	VOE465233	12							•Valve spring		
7	VOE465551	12							•Protecting sleeve		
8	VOE420874	6							•Valve seat		
9	VOE420875	6							•Valve seat		
10	VOE477792	12							•Valve guide		
11	VOE477024	8							•Expansion plug		
12	VOE466420	6							•Ring		
13	VOE466405	6							•Sealing ring		
14	VOE8192085	6							•Sleeve		

15	VOE466922	6							•Sealing ring		
16	VOE465420	4							•Nozzle		
16A	VOE422413	2						K	•Sealing ring		ID = 10
	VOE466421	16						K	•Sealing ring		ID = 15
	VOE465784	12						K	•Seal		ID = 25
17	VOE477026	14							•Expansion plug		
18	VOE947626	4							•Gasket		
19	VOE465840	40							•Screw		
		2						NS	•Bridge		
20	VOE914456	4							•Retaining ring		
21		2						NS	•Shaft		
22	VOE1665204	6						CS	•Bearing Bracket		
23	VOE7420129	3							•Rocker arm		
24	VOE422993	3						SS	••Bolt		
25	VOE940175	3							••Nut		
26	VOE420132	3							••Rocker arm		
27	VOE422993	3						SS	•••Bolt		
28	VOE940175	3							•••Nut		
29	VOE420125	12							•••Bushing		
30	VOE13955083	4							••Cap plug		
31	VOE411139	4							••Spring		
32	VOE471513	8							••Screw		
33	VOE471512	4							••Screw		
34	VOE8192015	1						CS	••Valve cover		
35	VOE8192016	1						CS	••Valve cover		
36	VOE8192009	2						CS	••Sealing strip		
37	VOE8148488	4							••Lock nut		
38	VOE8192526	4						CS	••Bushing		
39	VOE421753	1							••Filler cap		
40	VOE1275379	1							••Gasket		(VOE940096)
41		2						K	Gasket		
	VOE276821								Gasket kit		

Date: 9/9/2025	Image id: FJ105A	Catalogue: 99506	Model: EC200
Brand: Åkerman	Serial: 2101-2759	Group/Section: 212/100	Title: Cylinder block

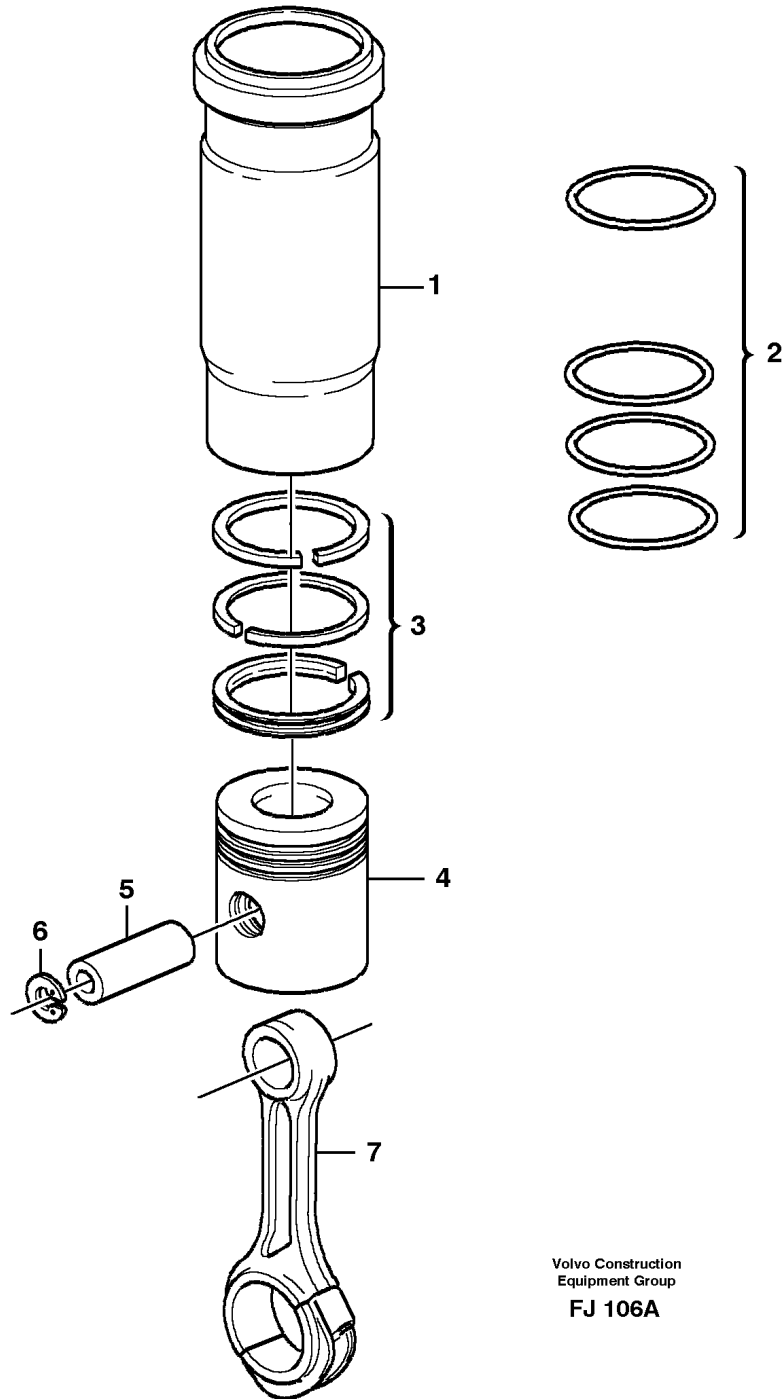


Q1-Q5	Option	Option description	
Q1 TD 61 GE			
Q2 TD 63 KHE			

Pos	Part	Q1	Q2	Q3	Q4	Q5	PS	Kit	Description	Option(s)	Remark
	VOE420990	1	1				CS		Cylinder block		
1		1	1				NS		•Cylinder block		
2		7	7				NS		•Cap		
3	VOE422426	1	1						•Pin		
4	VOE465899	14	14				CS		•Screw		
5	VOE422076	1	1						•Bushing		
6	VOE422077	1	1						•Bushing		(VOE7422077)
7	VOE422078	1	1						•Bushing		
8	VOE11000014	1	1						•Bushing		(VOE422079)
9	VOE422080	1	1						•Bushing		(VOE7422080)

10	VOE422081	1	1						•Bushing		
11	VOE422082	1	1						•Bushing		
12	VOE955082	6	6						•Cap plug		
13	VOE422369	2	2						•Plug		
14	VOE479979	5	5						•Plug		1/8"NPTF
15	VOE952076	3	3				SS		•Plug		3/8"NPTF
16	VOE13965768	1	1						•Plug		
17	VOE13947281	1	1						•Gasket		
18	VOE13968955	4	4						•Expansion plug		
19	VOE15134976	2	2						•Plug		(VOE467649)
20	VOE1556907	2	2						•Gasket		(VOE469328)
21	VOE421154	6	6						•Nozzle		
22	VOE191171	2	2						•Pin		(VOE191171)
23	VOE960630	1	1						Plug		
24	VOE13969011	1	1						Gasket		
25	VOE955082	2	2						Cap plug		
26	VOE835980	1	1						Nipple		
27	VOE864415	1	1				CS		Oil pressure sensor		
28		1	1				NS		Iron		Front / främre
29	VOE984815	2	2						Flange screw		(VOE13965191)
30		2	2				NS		Lifting eye		Rear / bakre
31	VOE984815	4	4						Flange screw		(VOE13965191)
32	VOE420120	1	1				CS		Inspection lid		
33	VOE420121	1	1						Hatch		
34	VOE3978045	1	1				CS		Splash plate		(VOE471858)
35	VOE20591544	2	2						Gasket		(VOE421121)
36	VOE471855	5	5						Screw		
37	VOE471856	5	5						Sealing ring		
38	VOE471854	1	1				CS		Cover		
39	VOE951974	1	1						Spring pin		
40	VOE1161277	REQ	REQ						Sealant		20 g
41	VOE848497	1					CS		Breather pipe		
41A	VOE11032901		1				CS		Breather pipe		
42	VOE421158	1	1						Sealing ring		
43	VOE968124	1					CS		Clamp		
44	VOE984733	1							Flange screw		(VOE946440)

Date: 9/9/2025	Image id: FJ106A	Catalogue: 99506	Model: EC200
Brand: Åkerman	Serial: 2101-2759	Group/Section: 213/100	Title: Cylinder liner and piston

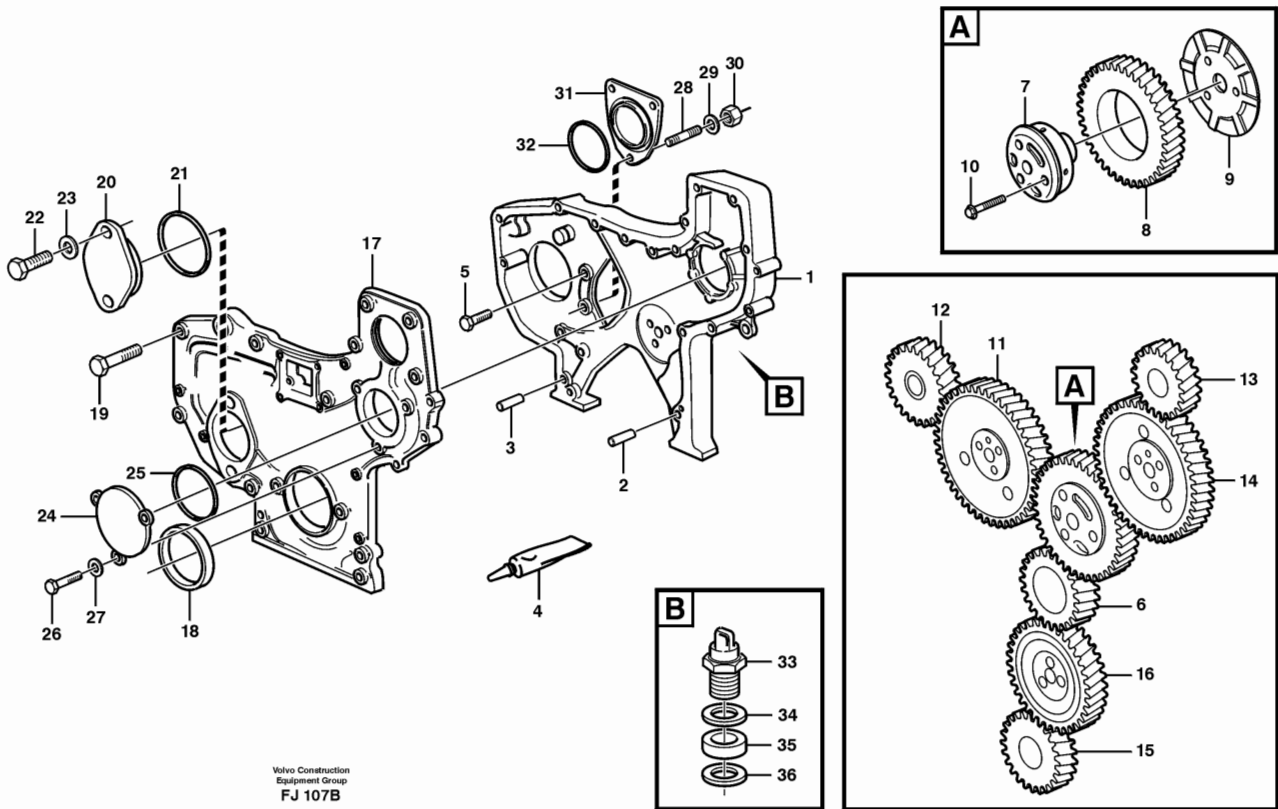


Volvo Construction
Equipment Group
FJ 106A

Q1-Q5	Option	Option description	
Q1 TD 61 GE			
Q2 TD 63 KHE			

Pos	Part	Q1	Q2	Q3	Q4	Q5	PS	Kit	Description	Option(s)	Remark
		6							Cylinder liner kit		See ref 210/100
			6						Cylinder liner kit		See ref 210/100
1		6	6				NS		•Cylinder liner		
2		6	6						•Seg ring kit		See ref 210/100
3		6	6						•Piston ring kit		See ref 210/100
4		6					NS		•Piston		
			6				NS		•Piston		
5	VOE3978023	6					CS		•Piston Pin		(VOE420988)
	VOE3978023		6				CS		•Piston Pin		
6	VOE914523	12	12						•Retaining ring		
7		6	6						Connecting rod		

Date: 9/9/2025	Image id: FJ107B	Catalogue: 99506	Model: EC200
Brand: Åkerman	Serial: 2101-2759	Group/Section: 215/100	Title: Timing gear casing

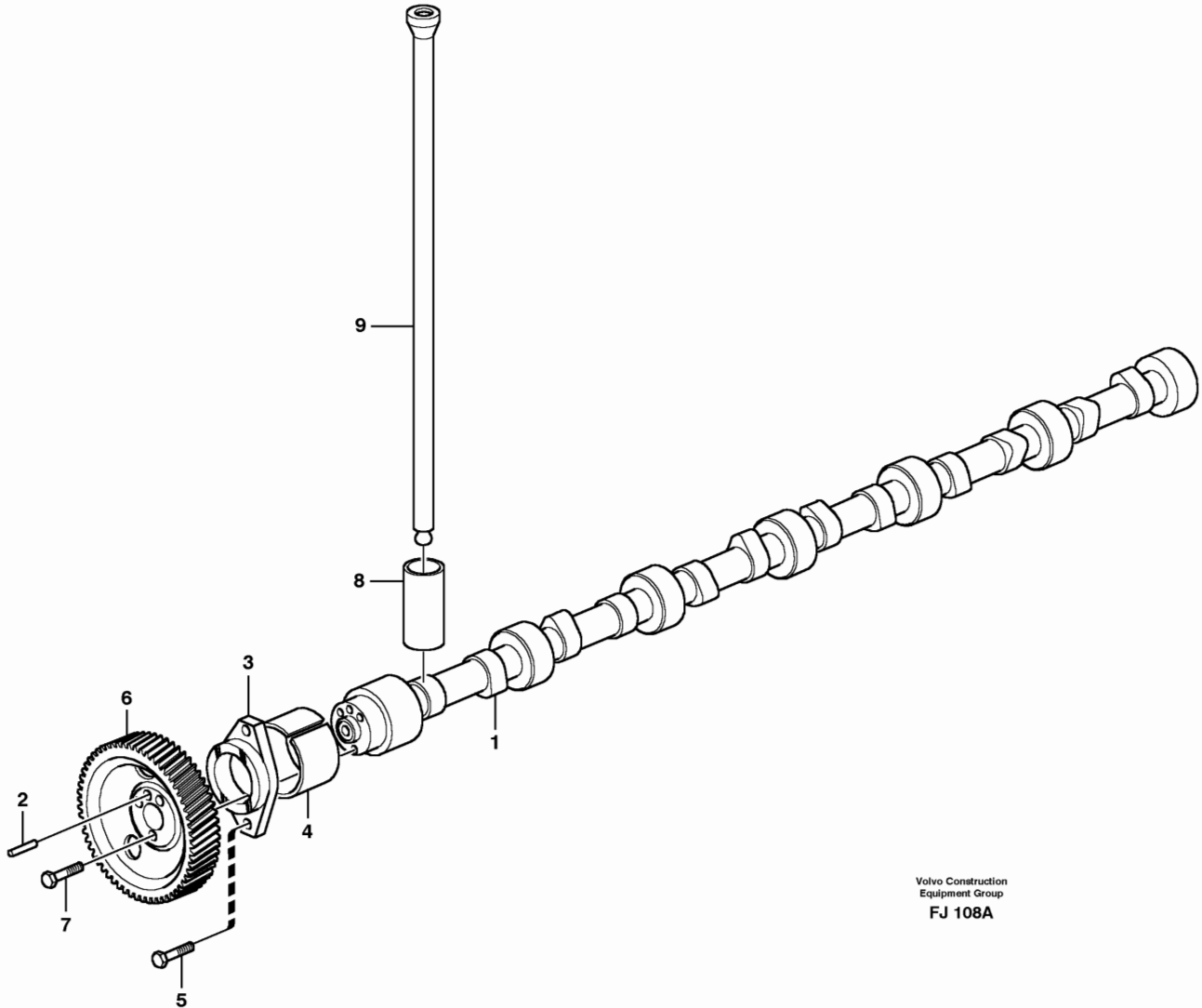


Q1-Q5	Option	Option description	
Q1 TD 61 GE			
Q2 TD 63 KHE			

Pos	Part	Q1	Q2	Q3	Q4	Q5	PS	Kit	Description	Option(s)	Remark
1	VOE465797	1					CS		Timing gear casing		
	VOE8192775		1				SS		Timing gear casing		
2	VOE13941511	1	1						Pin		(941511)
3	VOE13941510	1	1						Pin		(941510)
4	VOE1161277	REQ	REQ						Sealant		20 g
5	VOE471534	2	2						Screw		L = 28
	VOE471535	2	2						Screw		L = 58
6		1	1						Gear		Crankshaft / vevaxel See ref 216/100
7	VOE11704619	1	1				CS		Axle		
8	VOE8192518	1	1				CS		Idler gear		(VOE471552)
9	VOE478951	1	1						Thrust washer		(VOE467529)
10	VOE471554	3	3				CS		Screw		

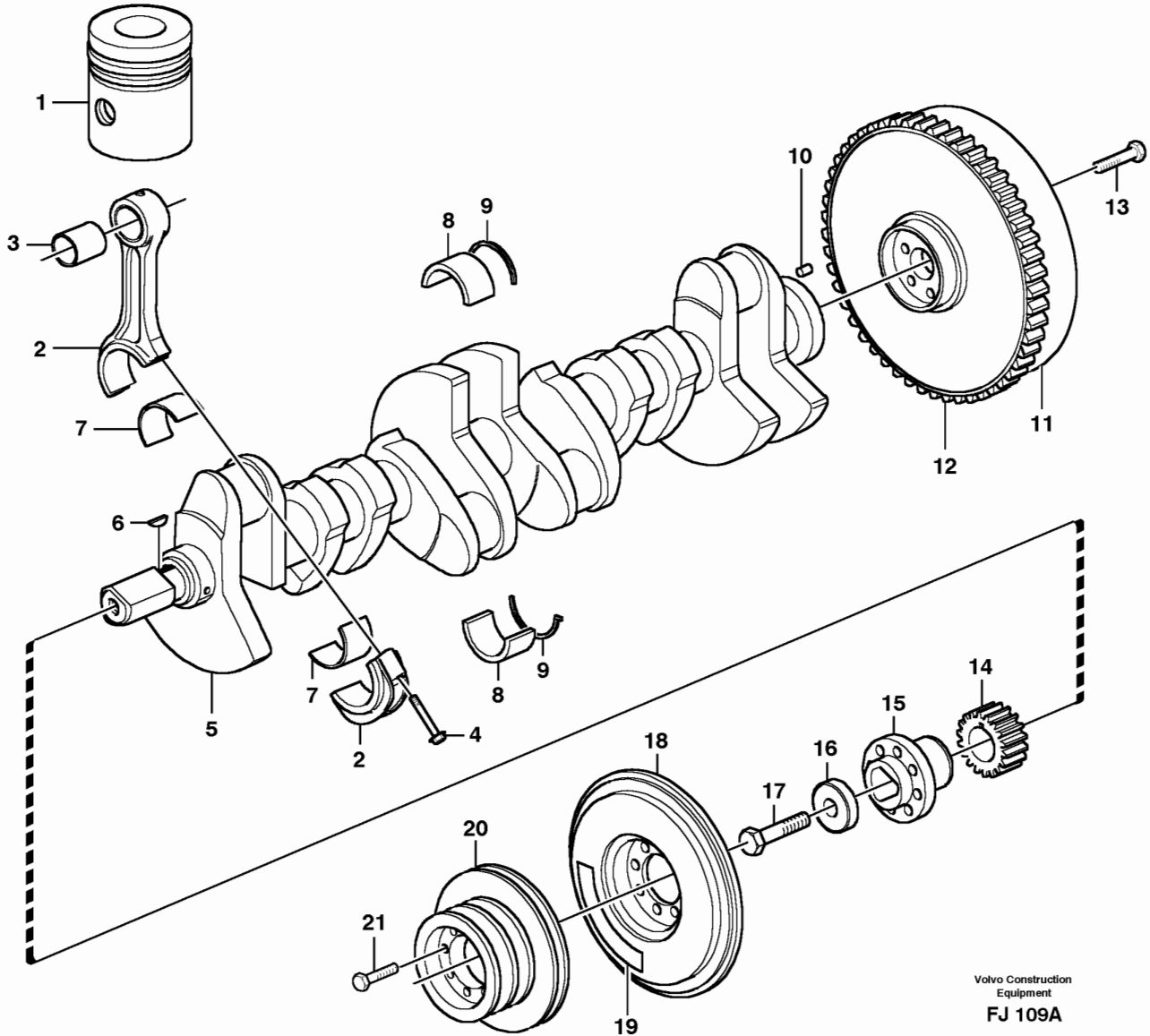
11		1	1						Gear		Camshaft / kamaxel See ref 215/200
12		1	1						Gear		Gear/Servopump See ref 914/50
13		1							Gear		Water pump TD 61 See ref 262/200
			1						Gear		Water pump TD 63 See ref 262/125
14		1							Gear		Injection pump TD 61 See ref 236/100
			1						Gear		Insprutn.pump TD 63 See ref 236/300
15		1	1						Gear		Oil pump / oljepump See ref 221/100
16		1	1						Gear		Oil pump / oljepump See ref 221/100
17	VOE465797	1					CS		Timing gear casing		
	VOE8192590		1				CS		Timing gear cover		
			1				NS		•Timing gear cover		
18	VOE477118	1	1						•Sealing ring		
19	VOE60113084	7	7						Flange screw		(VOE13947760)L = 40: (947760)
	VOE60113085	2	2						Flange screw		(VOE13948217)L = 45: (948217)
	VOE13965216	1	1						Screw		L = 55: (965216)
	VOE60113091	6	6						Flange screw		(VOE13965182)L = 80: (965182)
	VOE60113248	2	2						Flange screw		(VOE13965183)L = 90: (965183)
	VOE965225	1	1						Flange screw		M12, L = 35
20	VOE465735	1	1						Cover		
21	VOE925094	1	1						O-ring		
22	VOE60113094	1	1						Flange screw		(VOE946472)L = 30
	VOE60113100	1	1						Flange screw		(VOE13965187)L = 60: (965187)
23	VOE60111980	2	2						Plain washer		(VOE955895)
24	VOE471559	1	1						Cover		
25	VOE925257	1	1						O-ring		
26	VOE60113081	3	3						Flange screw		(VOE945444)
27	VOE13941907	3	3						Washer		(VOE941907)
28	VOE967951	3	3						Stud		
29	VOE955899	3	3						Plain washer		
30	VOE60113142	3	3						Flange nut		(VOE965484)
31	VOE420178	1	1						Cover		
32	VOE13975610	1	1						O-ring		(VOE413619)
33	VOE1502028	1	1				CS		Tachometer sensor		
34	VOE13947624	1	1						Plane gasket		
35	VOE863412	1	1				CS		Sleeve		
36	VOE925059	1	1						O-ring		(14012270)

Date: 9/9/2025	Image id: FJ108A	Catalogue: 99506	Model: EC200
Brand: Åkerman	Serial: 2101-2759	Group/Section: 215/200	Title: Camshaft



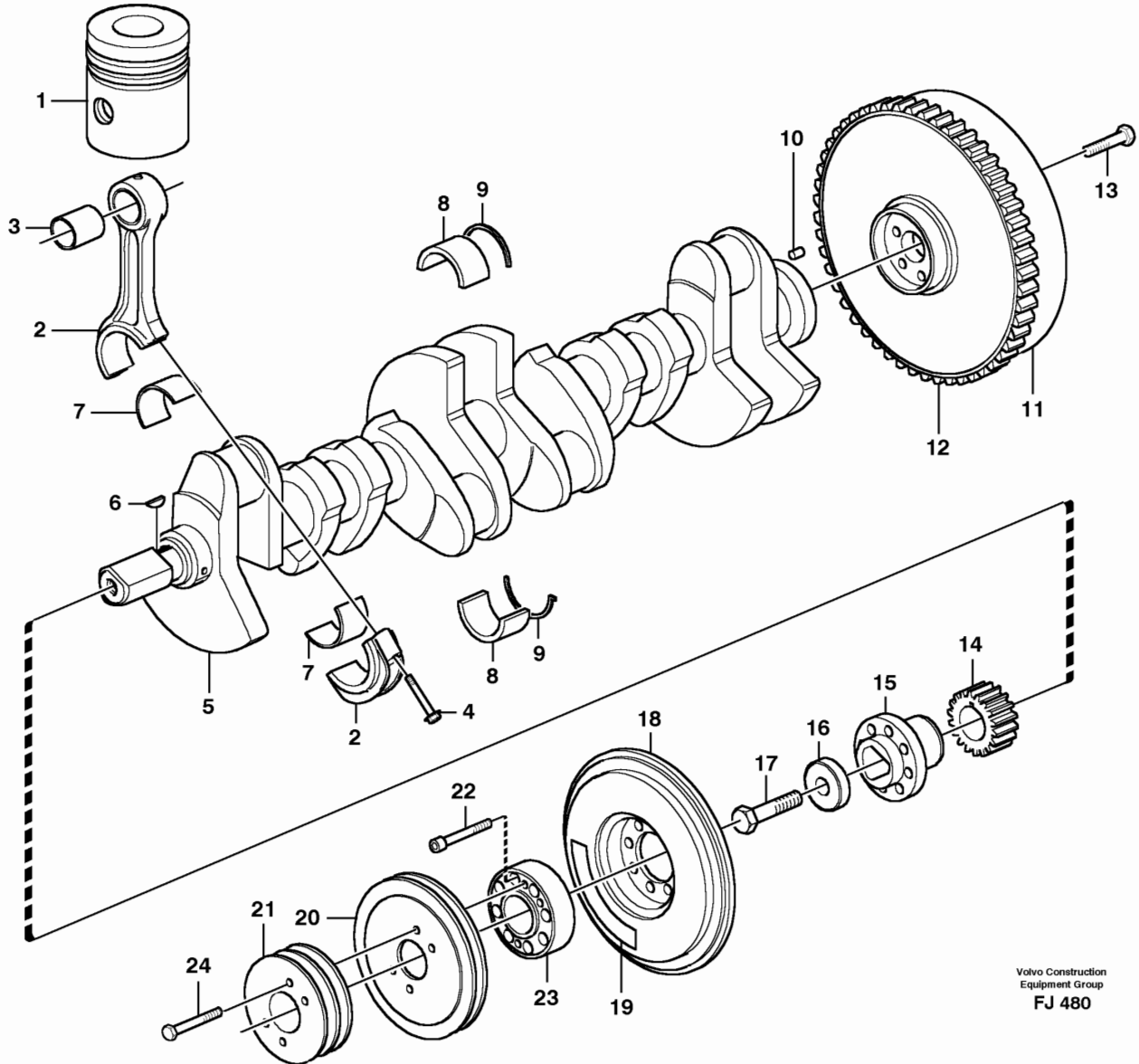
Pos	Part	Q1	Q2	Q3	Q4	Q5	PS	Kit	Description	Option(s)	Remark
1	VOE465787	1							Camshaft		
2	VOE950588	1							•Pin		
3	VOE465789	1							Flange		
4		7							Bearing bushing		See ref 212/100
5	VOE471509	2					CS		Screw		
6	VOE478297	1							Gear		TD 61 GE
	VOE471528	1					CS		Gear		TD 63 KEH
7	VOE471555	3							Screw		TD 61 GE
	VOE471554	3					CS		Screw		TD 63 KHE
8	VOE421067	12							Tappet		
9	VOE420021	12					CS		Rod		

Date: 9/9/2025	Image id: FJ109A	Catalogue: 99506	Model: EC200
Brand: Åkerman	Serial: 2101-2759	Group/Section: 216/100	Title: Crankshaft and related parts TD 63 KHE



Pos	Part	Q1	Q2	Q3	Q4	Q5	PS	Kit	Description	Option(s)	Remark
1		6							Cylinder liner kit		
2	VOE3092237	6					CS		Connecting rod		(VOE465812)
3	VOE465816	6							•Bushing		
4	VOE465815	12							•Screw		
5	VOE420662	1					SS		Crankshaft		ENG - 106089, 6 hole, REMAN VOE9000420662, VOE9024424610
	VOE8192122	1					SS		Crankshaft		ENG 106090 -, 9 hole,

Date: 9/9/2025	Image id: FJ480	Catalogue: 99506	Model: EC200
Brand: Åkerman	Serial: 2101-2759	Group/Section: 216/200	Title: Crankshaft and related parts TD 61 GE

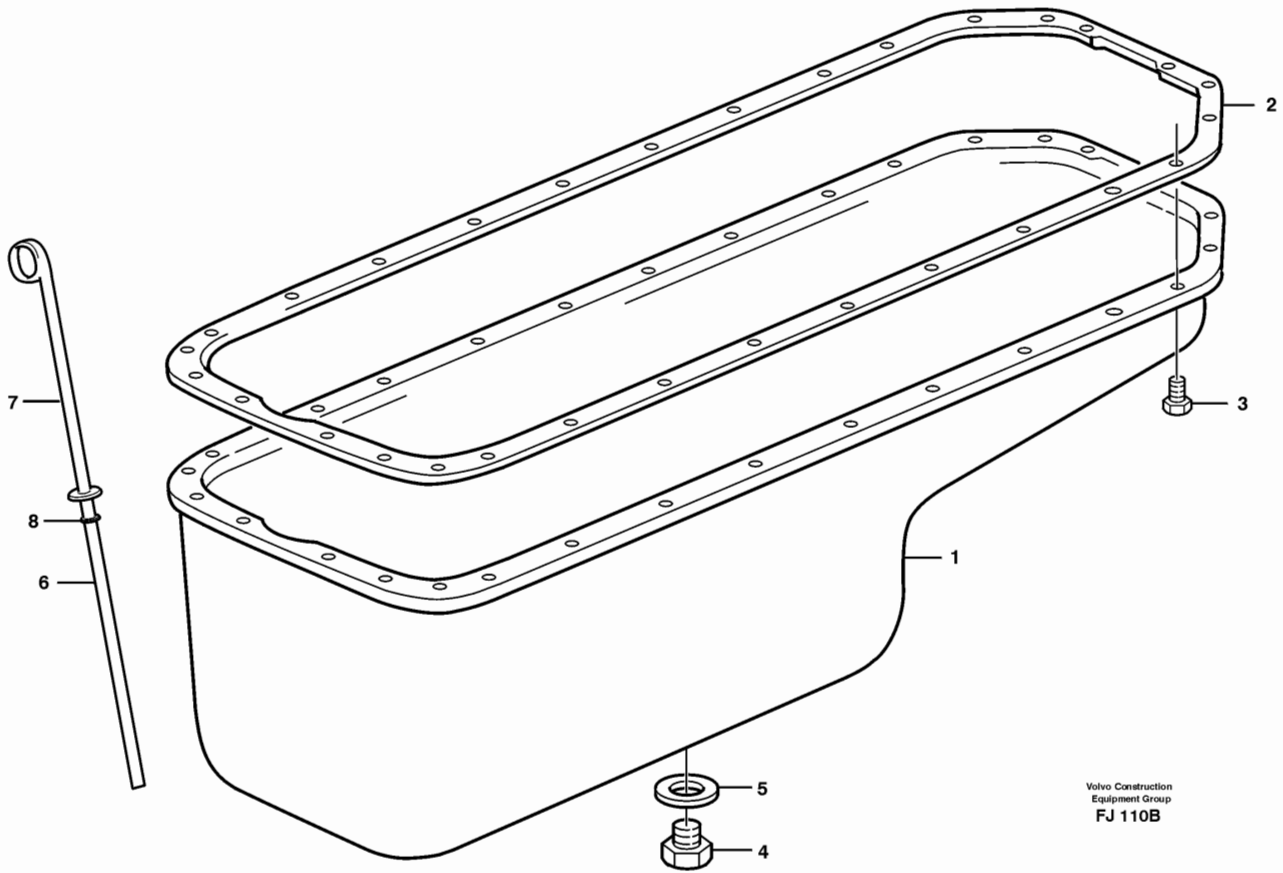


Volvo Construction
Equipment Group
FJ 480

Pos	Part	Q1	Q2	Q3	Q4	Q5	PS	Kit	Description	Option(s)	Remark
1		6							Cylinder liner kit		
2	VOE8192120	6					SS		Connecting rod		
3	VOE465816	6							•Bushing		
4	VOE465815	12							•Screw		
5	VOE8192122	1					SS		Crankshaft		REMAN VOE9008192122, VOE9024427376
6	VOE422253	1							•Key		

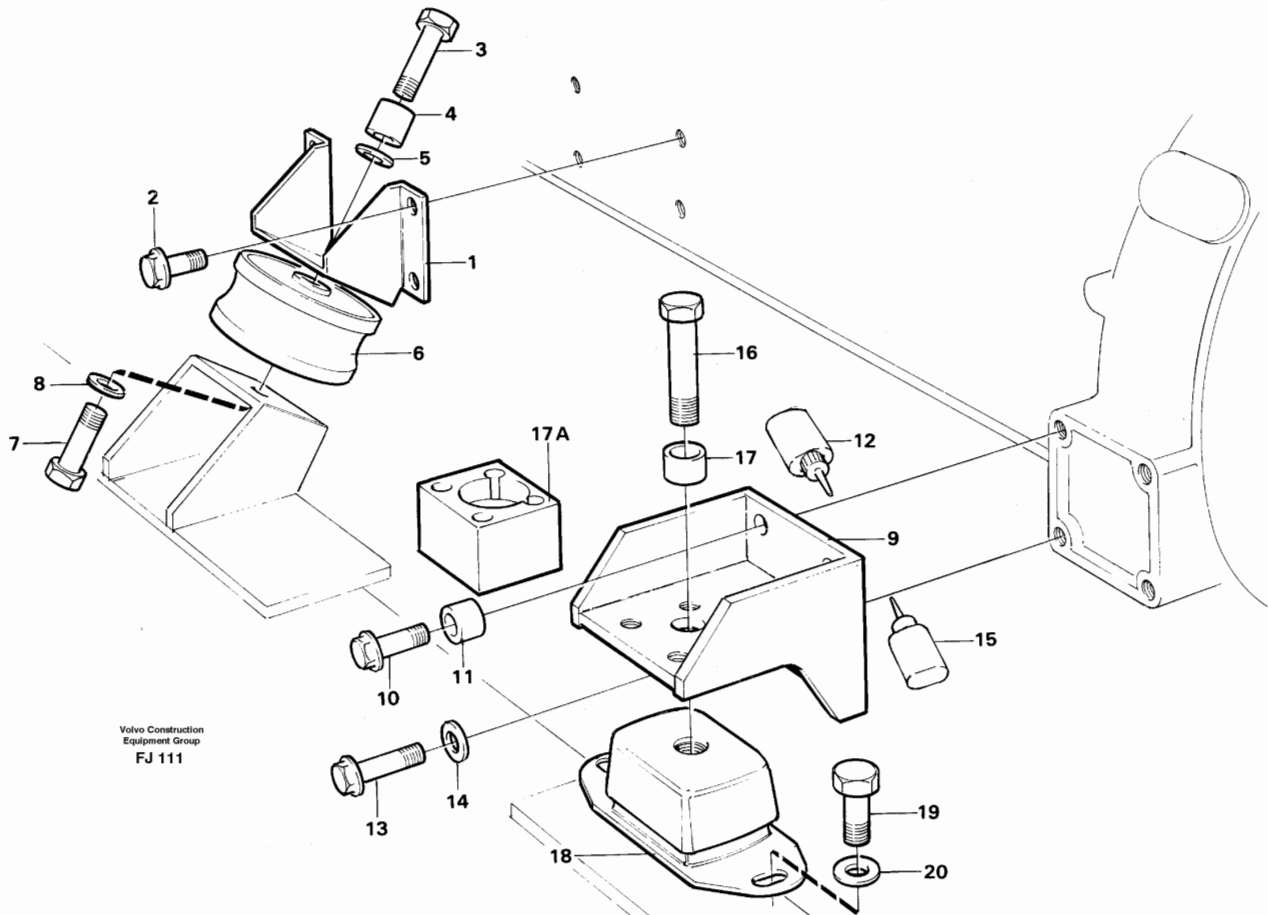
7	VOE465922	12								
	VOE270140	12							Big End Brg Kit	0,25 U SZ
	VOE270141	12							Big End Brg Kit	0,50 U SZ
	VOE270142	12					CS		Big End Brg Kit	0,75 U SZ
	VOE270144	6					CS		Bearing shell	1,25 U SZ
8	VOE271230	7							Main bearing kit	STD
	VOE271231	7							Main bearing kit	0,25 U SZ
	VOE271232	7							Main bearing kit	0,50 U SZ
	VOE271233	7					CS		Main bearing kit	0,75 U SZ
	VOE271234	7					CS		Main bearing kit	1,00 U SZ
9	VOE276751	1							Thrust washer kit	STD
	VOE276752	1							Thrust washer	(VOE7276752)0,1 O SZ
	VOE276753	1					CS		Thrust washer	(VOE7276753)0,2 O SZ
10	VOE950677	1							Pin	
11	VOE3825732	1					CS		Flywheel	
12	VOE420314	1							•Gear ring	(VOE420067)
13	VOE465825	6							Screw	
14	VOE471528	1					CS		Gear	
15	VOE4772218	1							Hub	
16	VOE420124	1					CS		Washer	
17	VOE470366	1							Screw	
18	VOE421515	1					CS		Vibration damper	
19	VOE467834	1							Sign	
20	VOE4772217	1							Pulley	
21	VOE4772220	1					CS		Pulley	
22	VOE4772247	8					CS		Screw	
23	VOE4772218	1							Hub	
24	VOE60113100	4							Flange screw	(VOE13965187)

Date: 9/9/2025	Image id: FJ110B	Catalogue: 99506	Model: EC200
Brand: Åkerman	Serial: 2101-2759	Group/Section: 217/100	Title: Oil sump / oil dipstick



Pos	Part	Q1	Q2	Q3	Q4	Q5	PS	Kit	Description	Option(s)	Remark
1	VOE11162235	1					CS		Oil pan		(VOE465622)
2	VOE11030778	1							Gasket		(865341)
3	VOE984733	34							Flange screw		(VOE946440)
4	VOE13949175	1							Magnetic plug		(949175)
5	VOE949329	1							Gasket		
6	VOE862055	1					CS		Tube		
7	VOE862197	1					CS		Oil dipstick		SER NO -2480
	VOE11030836	1					CS		Oil dipstick		SER NO 2481-
8	VOE955984	1							O-ring		

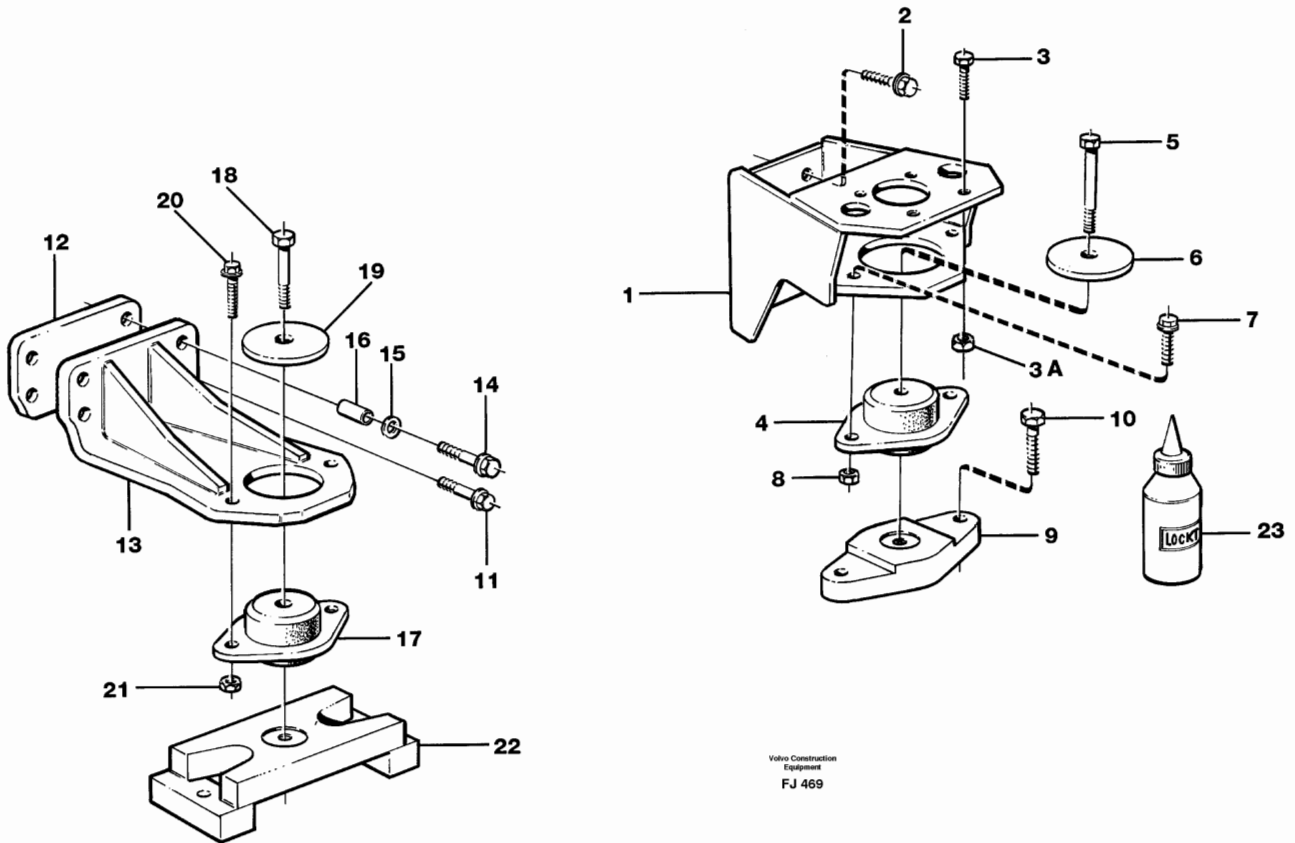
Date: 9/9/2025	Image id: FJ111	Catalogue: 99506	Model: EC200
Brand: Åkerman	Serial: 2101-2759	Group/Section: 218/100	Title: Engine mounting TD 61 GE



Pos	Part	Q1	Q2	Q3	Q4	Q5	PS	Kit	Description	Option(s)	Remark
1	VOE14256221	2					CS		Bracket		
2	VOE60113109	4							Flange screw		(VOE13965192)
3	VOE997449	2							Hexagon screw		(VOE13970974) (14014622)
4	VOE14040547	2					CS		Spacer		
5	VOE14015146	2							Washer		
6	VOE14237784	2					CS		Rubber cushion		
7	VOE997449	2							Hexagon screw		(VOE13970974) (14014622)
8	VOE13930908	2							Washer		(VOE14015135)
9	VOE14040200	2					CS		Bracket		SER NO -2247
	VOE14248379	2					CS		Engine anchorage		SER NO 2248-
9A		2					NS		Plate		SER NO 2248-
10	VOE60113111	4							Flange screw		(VOE13965193)
11	VOE14252182	4					CS		Spacer		
12	VOE14024293	REQ					CS		Locking fluid		250 ml
13	VOE965227	4					SS		Flange screw		

14	VOE60110353	4						Plain washer		(VOE14248129)
15	VOE14024293	REQ					CS	Locking fluid		250 ml
16	VOE997475	1						Hexagon screw		(VOE955392)LH: L = 80: (14016509)
	VOE955393	1						Hexagon screw		RH: L = 90: (14023352)
17	VOE14040547	4					CS	Spacer		SER NO -2247
	VOE14042803	1					CS	Spacer		LH,SER NO 2248-
17A	VOE14240194	2					CS	Spacer		SER NO -2247
	VOE14248380	1					CS	Spacer		RH,SER NO 2248-
18	VOE352424	2					CS	Rubber cushion		SER NO -2247
	VOE14216299	2					CS	Rubber damper		SER NO 2248-
19	VOE955363	4						Hexagon screw		(14014631)
20	VOE14015147	4					CS	Washer		

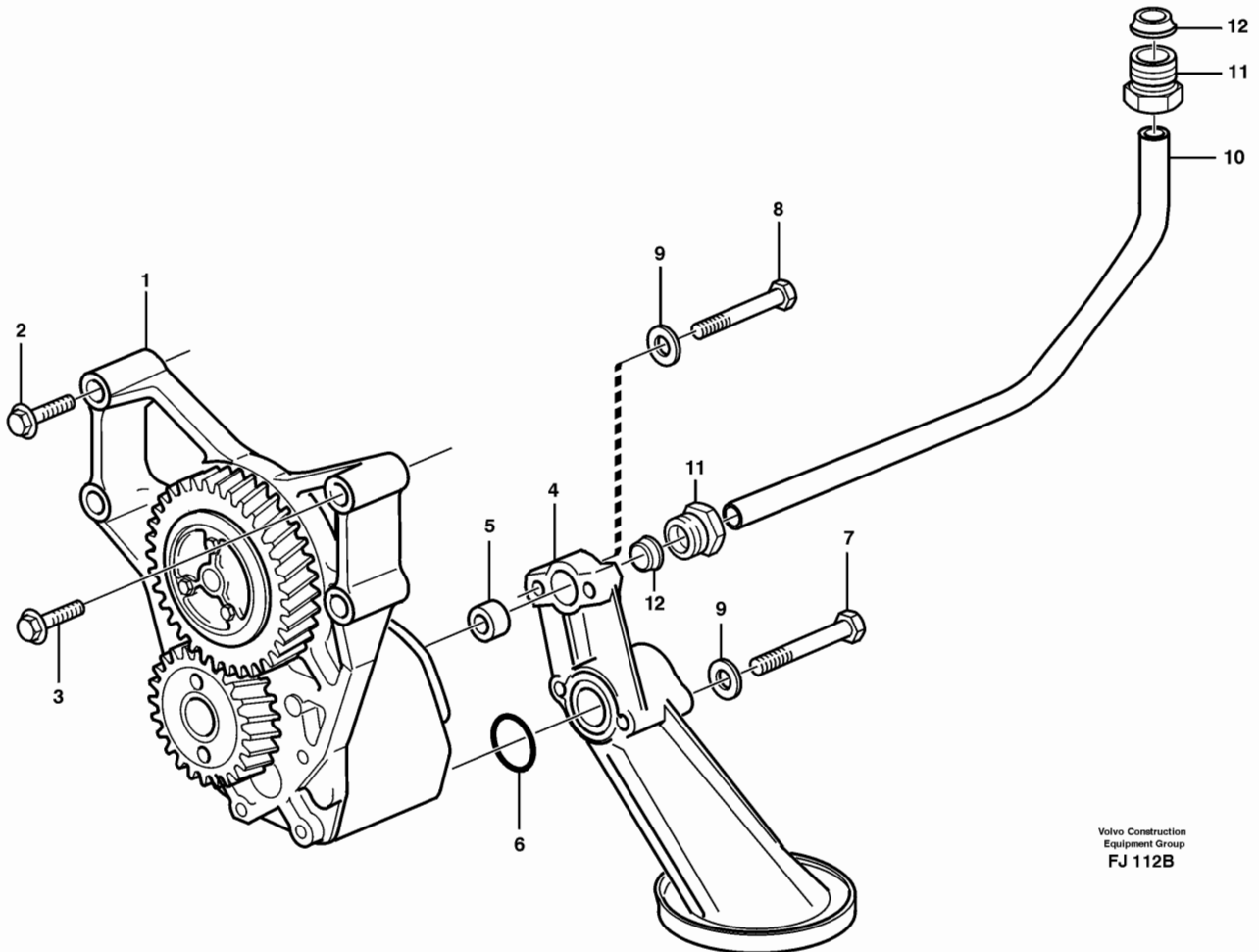
Date: 9/9/2025	Image id: FJ469	Catalogue: 99506	Model: EC200
Brand: Åkerman	Serial: 2101-2759	Group/Section: 218/200	Title: Engine mounting TD 63 KHE



Pos	Part	Q1	Q2	Q3	Q4	Q5	PS	Kit	Description	Option(s)	Remark
1	VOE14341798	2					CS		Engine anchorage		
2	VOE984815	4							Flange screw		(VOE13965191)
3	VOE60113106	4							Flange screw		(VOE13946817)RH - REAR
	VOE984815	4							Flange screw		(VOE13965191)LH - REAR
3A	VOE13971090	4							Lock nut		LH - REAR
4	VOE14343641	2					CS		Rubber cushion		
5	VOE997467	2							Hexagon screw		(VOE13955374)
6	VOE14342464	2					CS		Washer		
7	VOE60113109	4							Flange screw		(VOE13965192)
8	VOE13971090	4							Lock nut		
9	VOE14341801	2					CS		Adapter		
10	VOE13955366	4							Screw		
11	VOE60113113	7							Flange screw		(VOE13965194)
12	VOE14341881	2					CS		Spacer		
13	VOE14343182	2					CS		Engine anchorage		

14	VOE60113119	1							Flange screw		(VOE13965197)
15	VOE14015146	1							Washer		
16	VOE14252182	1					CS		Spacer		
17	VOE14343640	2					CS		Rubber cushion		
18	VOE997467	2							Hexagon screw		(VOE13955374)
19	VOE14342464	2					CS		Washer		
20	VOE60113109	4							Flange screw		(VOE13965192)
21	VOE13971090	4							Lock nut		
22	VOE14342044	2					CS		Adapter		
23	VOE14024293	ERF					CS		Locking fluid		

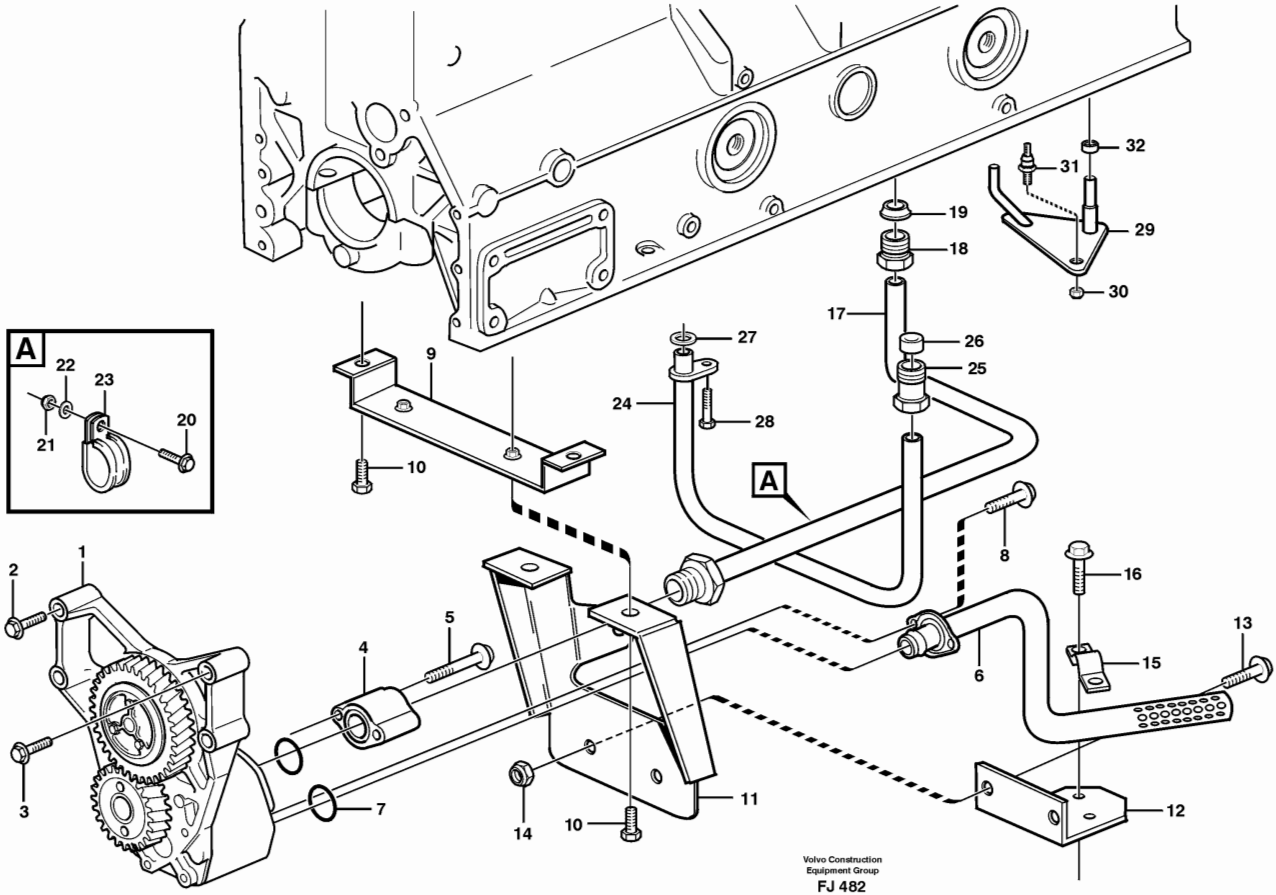
Date: 9/9/2025	Image id: FJ112B	Catalogue: 99506	Model: EC200
Brand: Åkerman	Serial: 2101-2759	Group/Section: 220/100	Title: Lubricating oil system TD 61 GE



Volvo Construction
Equipment Group
FJ 112B

Pos	Part	Q1	Q2	Q3	Q4	Q5	PS	Kit	Description	Option(s)	Remark
1	VOE420867	1					CS		Oil pump		See ref 221/100
2	VOE471513	4							Screw		
3	VOE471734	2							Screw		
4	VOE420725	1					CS		Oil strainer		
5	VOE471956	1							Sealing ring		
6	VOE949659	1							O-ring		
7	VOE955309	2							Hexagon screw		
8	VOE13955307	2							Screw		
9	VOE994868	2							Plain washer		(VOE955894)
10	VOE420993	1					CS		Oil feed pipe		
11	VOE471588	2					CS		•Connector		
12	VOE980786	2							•Ferrule		(VOE956972)

Date: 9/9/2025	Image id: FJ482	Catalogue: 99506	Model: EC200
Brand: Åkerman	Serial: 2101-2759	Group/Section: 220/200	Title: Lubricating oil system TD 63 KHE



Pos	Part	Q1	Q2	Q3	Q4	Q5	PS	Kit	Description	Option(s)	Remark
1	VOE477547	1							Oil pump		See ref 221/100
2	VOE471513	4							Screw		
3	VOE471734	2							Screw		
4	VOE465846	1							Sleeve		
5	VOE968553	2							Flange screw		L = 115 mm
	VOE984744	2							Flange screw		(VOE13965184)L = 100 mm
	VOE969225	2							Flange screw		L = 120 mm
6	VOE11030734	1					CS		Suction pipe		
7	VOE470383	2							Sealing ring		
8	VOE60113248	2							Flange screw		(VOE13965183)
9	VOE11030718	1					CS		Bracket		
10	VOE984733	4							Flange screw		(VOE946440)
11	VOE11030725	1					SS		Baffle plate		
12	VOE11030720	1					CS		Bracket		
	VOE946440								Flange screw		(VOE946440)