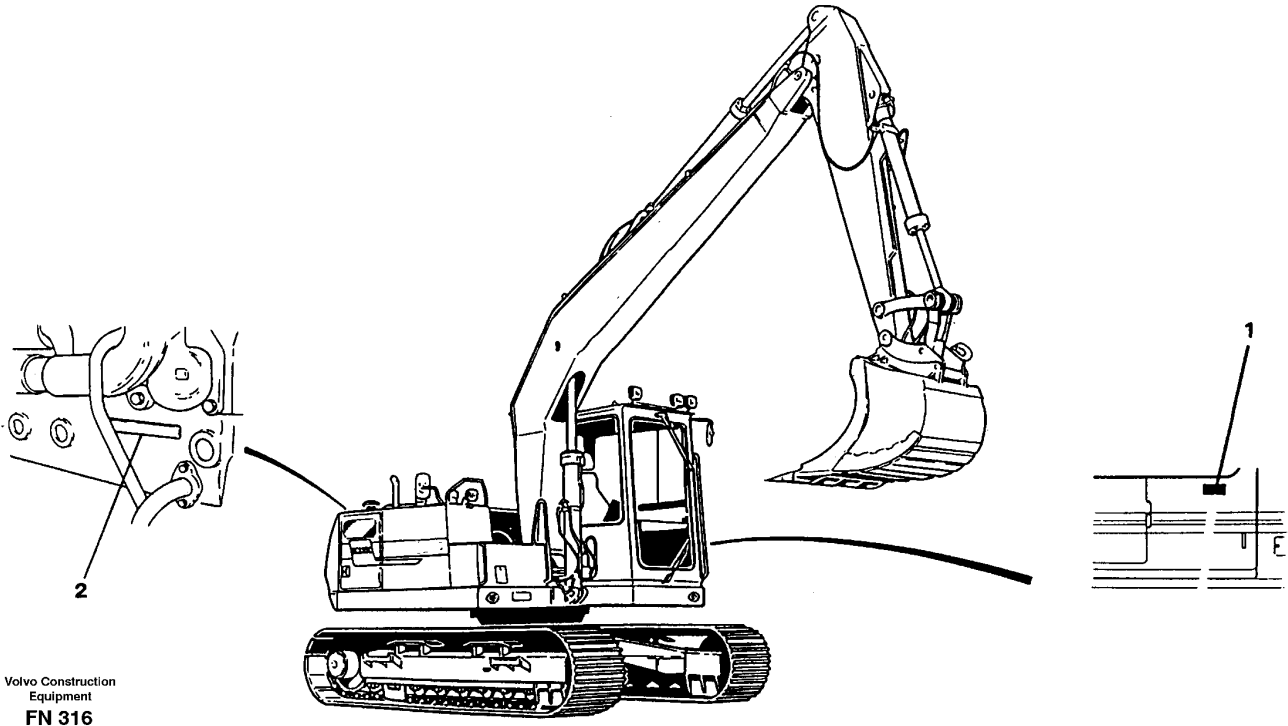
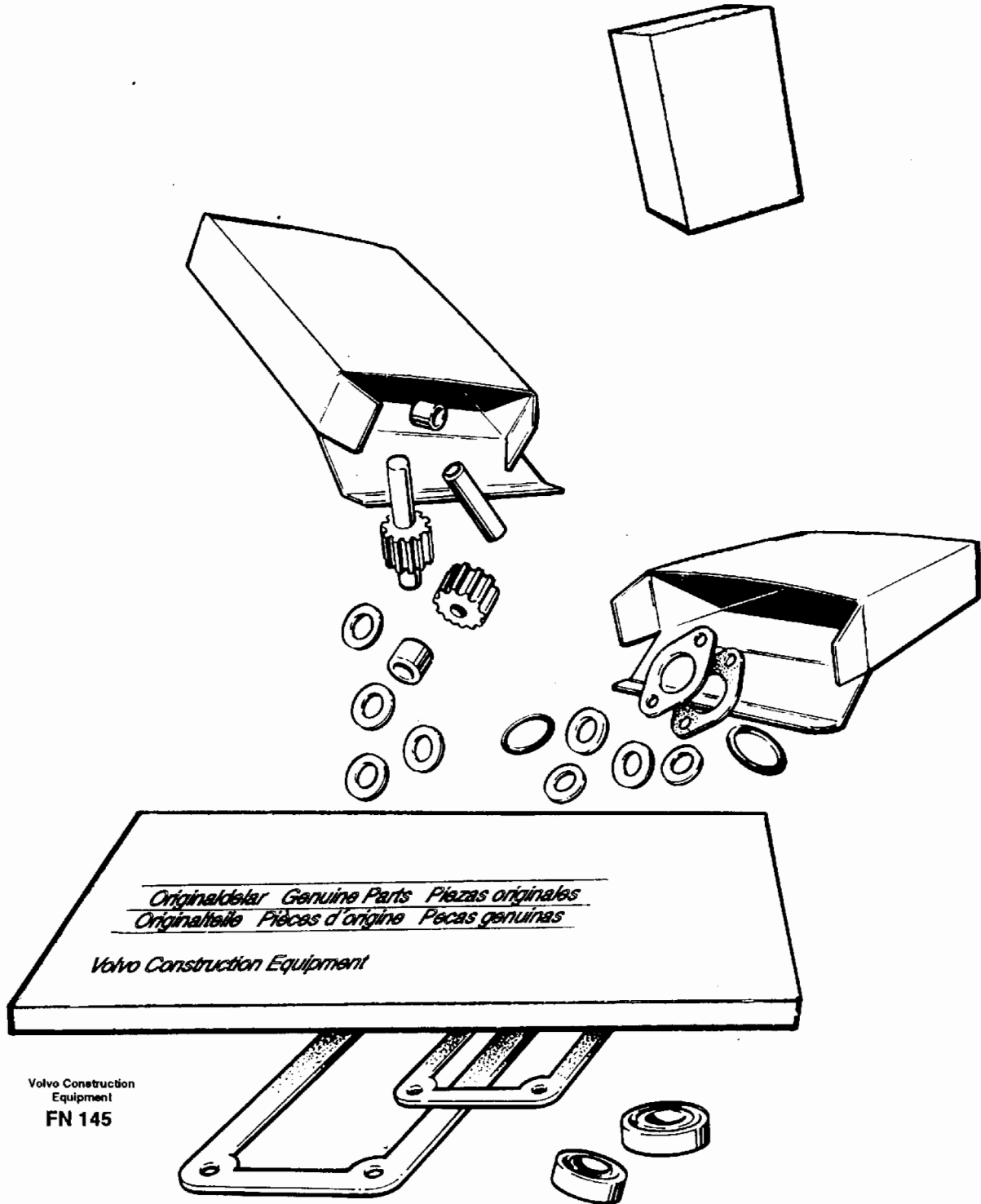


Date: 8/6/2025	Image id: FN316	Catalogue: 99519	Model: EC150C
Brand: Åkerman	Serial: 201-253	Group/Section: 030/100	Title: Product identification plate



Pos	Part	Q1	Q2	Q3	Q4	Q5	PS	Kit	Description	Option(s)	Remark
1									Product sign plate		
2									Engine sign plate		

Date: 8/6/2025	Image id: FN145	Catalogue: 99519	Model: EC150C
Brand: Åkerman	Serial: 201-253	Group/Section: 210/100	Title: Repair kits for engine TD40KEE



Section option	Kit	Option description
VOE14266000		Low emission engine TD40KGE

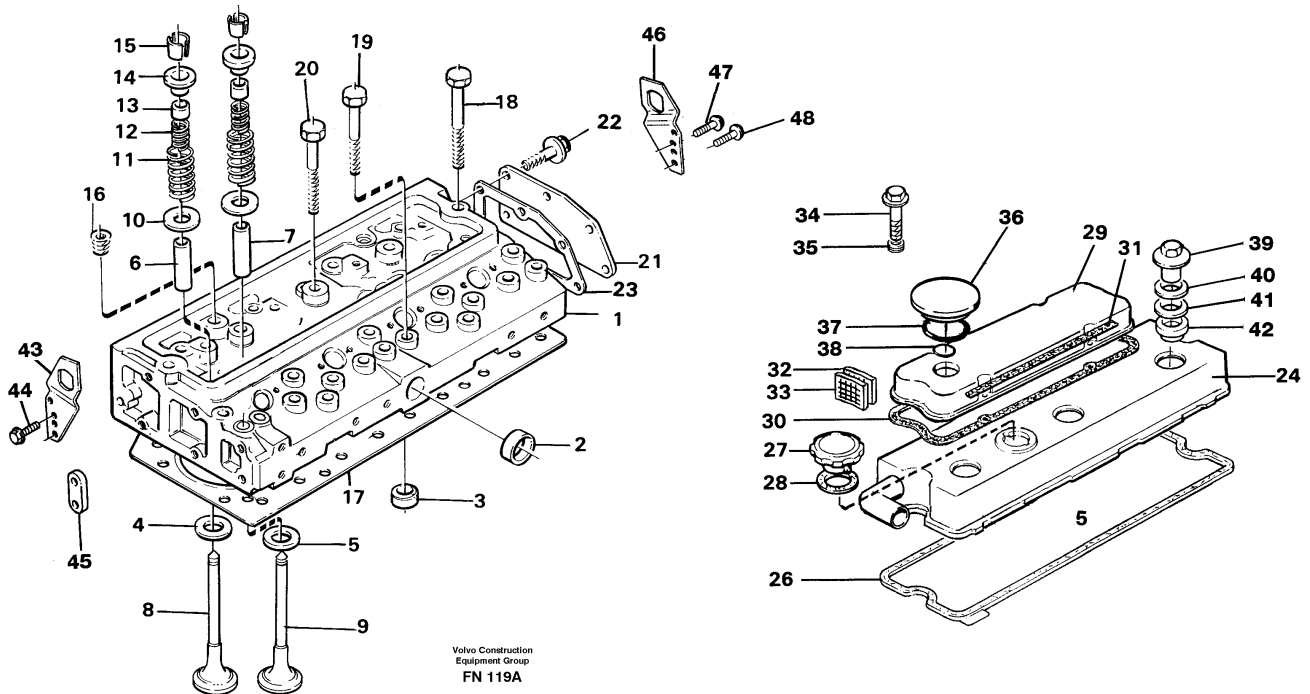
Kit	Option	Option description

Q1 14266000	VOE14266000	Low emission engine TD40KGE	
-------------	-------------	-----------------------------	--

Pos	Part	Q1	Q2	Q3	Q4	Q5	PS	Kit	Description	Option(s)	Remark
	VOE14266000	1					CS		Diesel engine		TD40KEE STD EC150C SER NO - 253, REMAN VOE9014266000
	VOE11998154	1					CS		Gasket kit		
									•For lower engine part		
	VOE11997979	1							•Gasket		
	VOE11997058	1					CS		•Gasket		(VOE11998161)
	VOE11711203	1							•Gasket		(VOE11997879)
	VOE11988378	1							•Gasket		(VOE11997888)
	VOE11706327	1							•Gasket		(VOE11997013)
	VOE11997997	1							•Gasket		(VOE11999476)
	VOE11998009	1							•Gasket		(VOE11998163)
	VOE11998164	1							•Gasket		
	VOE11700965	1							•Gasket		(VOE11998123)
	VOE11998040	1							•Gasket		
	VOE11707553	1							•Gasket		(VOE11998165)
	VOE11998166	1							•Gasket		
	VOE11998050	1							•Gasket		
	VOE11998167	1							•Gasket		
	VOE11998168	1							•Gasket		
	VOE11998169	1							•Gasket		
	VOE949658	1							•O-ring		(VOE11998170)
	VOE944126	1							•O-ring		(VOE11998171)
	VOE11707623	1							•O-ring		(VOE11998042)
	VOE11706038	2					CS		•Seal		(VOE7483309)
	VOE11702176	1					CS		Gasket kit		
									•For decarbonizing		
	VOE3976803	1							•Gasket		(VOE11701545)
	VOE11701586	1							•Gasket		
	VOE11998092	1							•Gasket		
	VOE11998091	1							•Gasket		
	VOE11998093	1							•Gasket		
	VOE11998095	1							•Gasket		
	VOE11998949	1					CS		•Gasket		
	VOE11998073	2							•Gasket		
	VOE11702176	1					CS		•Gasket kit		
	VOE11998156	1							•Gasket		
	VOE11998054	1							•Gasket		
	VOE11998047	1							•Gasket		
	VOE11702179	1					CS		Overhaul kit		
	VOE11702176	1					CS		•Gasket kit		

	VOE6210419	1							•Thermostat		
	VOE11702181	1					CS		Overhaul kit		
	VOE11997824	4							•Big End Brg Kit		
	VOE11998997	4							•Cylinder liner		
	VOE11701539	4					CS		•Piston kit		
	VOE11701524	4							•Piston ring kit		
	VOE11999004	8							•Screw		
	VOE11997979	1							•Gasket		

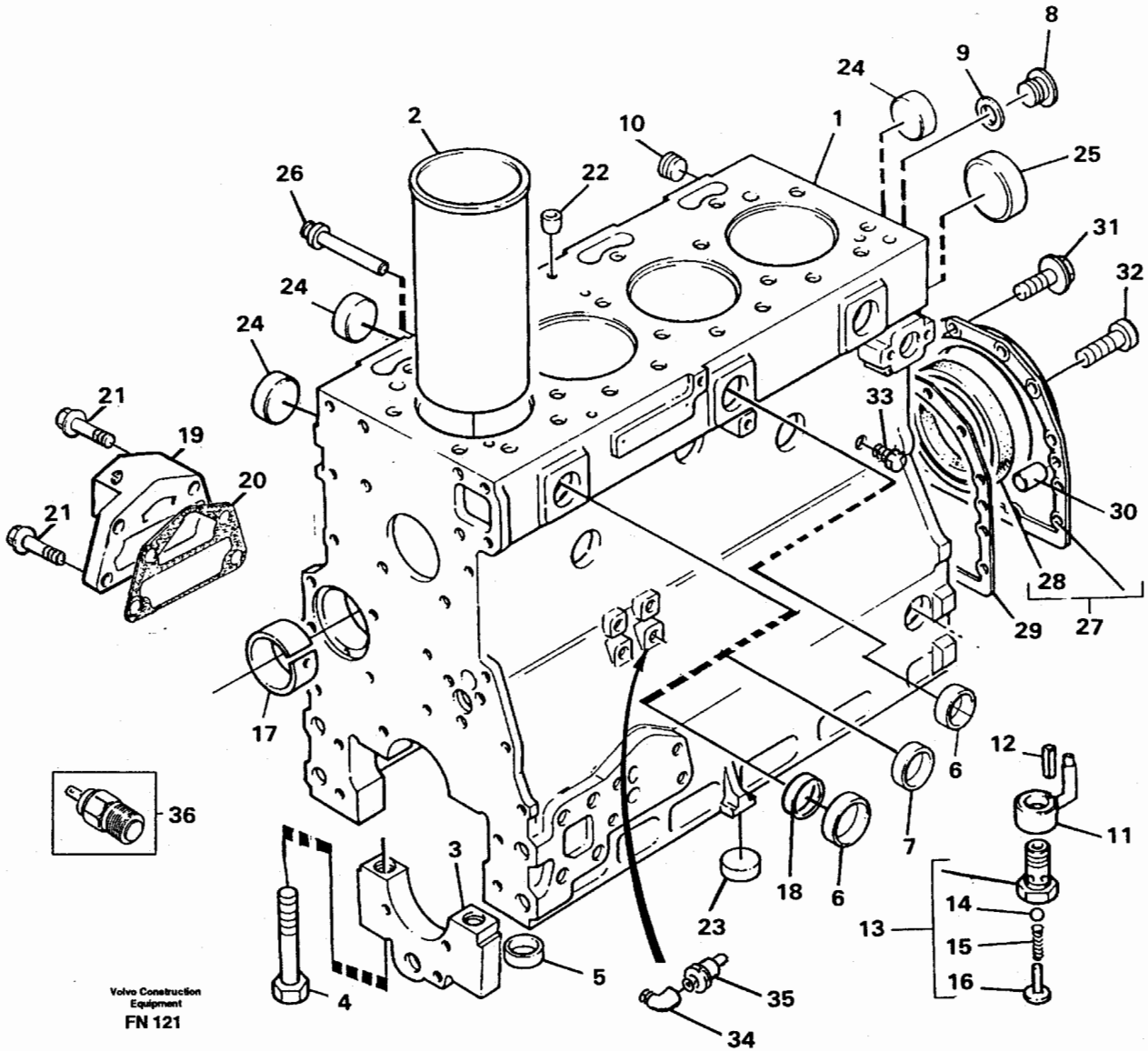
Date: 8/6/2025	Image id: FN119A	Catalogue: 99519	Model: EC150C
Brand: Åkerman	Serial: 201-253	Group/Section: 211/100	Title: Cylinder head



Pos	Part	Q1	Q2	Q3	Q4	Q5	PS	Kit	Description	Option(s)	Remark
	VOE11988380	1					CS		Cylinder head		(VOE11701542)
1		1					NS		•Cylinder head		
2	VOE483898	1					CS		•Plug		
3	VOE11997836	4					CS		•Plug		
4	VOE11701543	4						K	•Valve seat		Inlet / Insug
5	VOE11701544	4						K	•Valve seat		Exhaust / Avgas
6	VOE11705294	4					CS	K	•Valve guide		(VOE11999009)Inlet / Insug
7	VOE11705753	4						K	•Valve guide		(VOE11997842) Exhaust / avgas
8	VOE11997018	4						K	•Inlet valve		
9	VOE11997841	4						K	•Exhaust valve		
10	VOE6642514	8					CS		•Washer		
11	VOE11991724	8					CS		•Spring		
12	VOE11991725	8							•Spring		
13	VOE484071	8							•Seal		
14	VOE11991726	8					CS	K	•Spring plate		
15	VOE483530	16						K	•Valve sleeve		(VOE7483530)
16	VOE11997843	4							•Plug		
	VOE11702180	1					CS		Overhaul kit		
17	VOE3976803	1							Gasket		(VOE11701545)

18	VOE11997844	2					CS		Screw		
19	VOE11997845	8							Bolt		
20	VOE11997846	12							Bolt		
21	VOE11998044	1					CS		Plate		
22	VOE984733	3							Flange screw		(VOE946440)
23	VOE11998156	1							Gasket		
24	VOE11988387	1					CS		Valve cover		(VOE11701584)
25	VOE11701585	1					CS		•Connector		
26	VOE11701586	1							•Gasket		
27	VOE11701692	1					CS		•Cover		
28	VOE11701588	1					CS		•O-ring		
29	VOE11701589	1					CS		•Cover		
30	VOE11701590	1					CS		•Gasket		
31	VOE11998004	1					CS		•Seal		
32	VOE11701591	1					CS		•Plastic foam sleeve		
33	VOE11701592	3					CS		•Baffle		
34	VOE11701593	14					CS		•Screw		
35	VOE11701594	4					CS		•Insert		
36	VOE11701595	1					CS		•Valve		
37	VOE11701596	1					CS		•O-ring		
38	VOE11701597	1					CS		•O-ring		
39	VOE11988395	3					CS		•Nut		(VOE11999025)
40	VOE11701467	3					SS		•Washer		
41	VOE11997049	3							•Sealing ring		
42	VOE11998003	3					CS		•Shim		
43	VOE11998148	1					CS		Lifting plate		
44	VOE60113093	2							Flange screw		(VOE946329)
45	VOE11701654	1					CS		Spacer		
46	VOE11998149	1					CS		Lifting plate		
47	VOE990861	2							Flange screw		(VOE946472)
48	VOE946441	2							Flange screw		

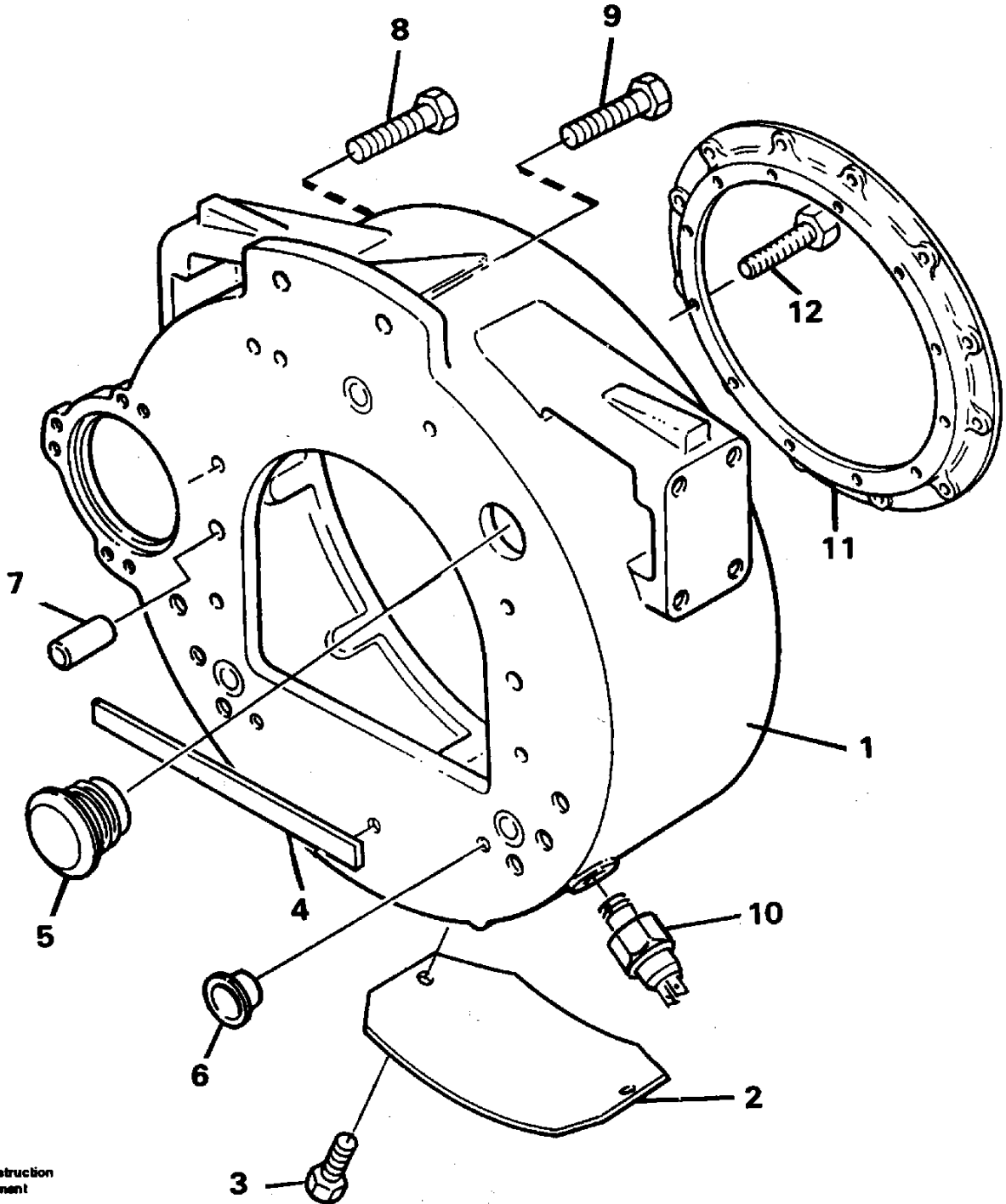
Date: 8/6/2025	Image id: FN121	Catalogue: 99519	Model: EC150C
Brand: Åkerman	Serial: 201-253	Group/Section: 212/100	Title: Cylinder block



Pos	Part	Q1	Q2	Q3	Q4	Q5	PS	Kit	Description	Option(s)	Remark
1	VOE11704870	1					SS		Cylinder block		(VOE11701523)
2		4							•Cylinder liner		See ref 213/100
3		5					NS		•Bearing carrier		
4	VOE6210370	10					CS		•Screw		
5	VOE483302	10					CS		•Guide sleeve		
6	VOE483898	6					CS		•Plug		
7	VOE11997805	1					CS		•Plug		
8	VOE483445	1					CS		•Plug		
9	VOE11988634	1					CS		•Washer		(VOE11997810)
10	VOE968147	1							•Plug		(VOE13926886)

11	VOE11714691	4							•Nozzle		(VOE11997815)
12	VOE11997816	4							•Dowel		
13	VOE11997817	4							•Valve		
14	VOE11997818	4					CS		••Ball		
15	VOE11997819	4					CS		••Spring		
16	VOE11997820	4					CS		••Retainer		
17	VOE3976506	1							•Bushing		(VOE11997806)
18	VOE11700782	1					CS		•Plug		
19	VOE11998028	1							Adapter		
20	VOE11998009	1							Gasket		(VOE11998009)
21	VOE11998030	1					CS		Screw		
21	VOE11998031	3					CS		Screw		
22	VOE483645	1					CS		Plug		
23	VOE6637386	1					CS		Plug		
24	VOE11997807	9					CS		Plug		
25	VOE11997809	1					SS		Plug		
26	VOE11997808	1					CS		Plug		
27	VOE11998999	1					CS		Cover		
28	VOE6212971	1							Sealing ring		
29	VOE11706327	1							Gasket		(VOE11997013)
30	VOE480219	2					CS		Pin		
31	VOE984734	12							Flange screw		(VOE946173)
32	VOE11997014	2					CS		Screw		
33	VOE482291	2							Plug		
34	VOE16218	1							Elbow nipple		
35	VOE11039249	1							Pressure monitor		
36	VOE11701568	1					SS		Switch		

Date: 8/6/2025	Image id: FN128	Catalogue: 99519	Model: EC150C
Brand: Åkerman	Serial: 201-253	Group/Section: 212/150	Title: Flywheel housing

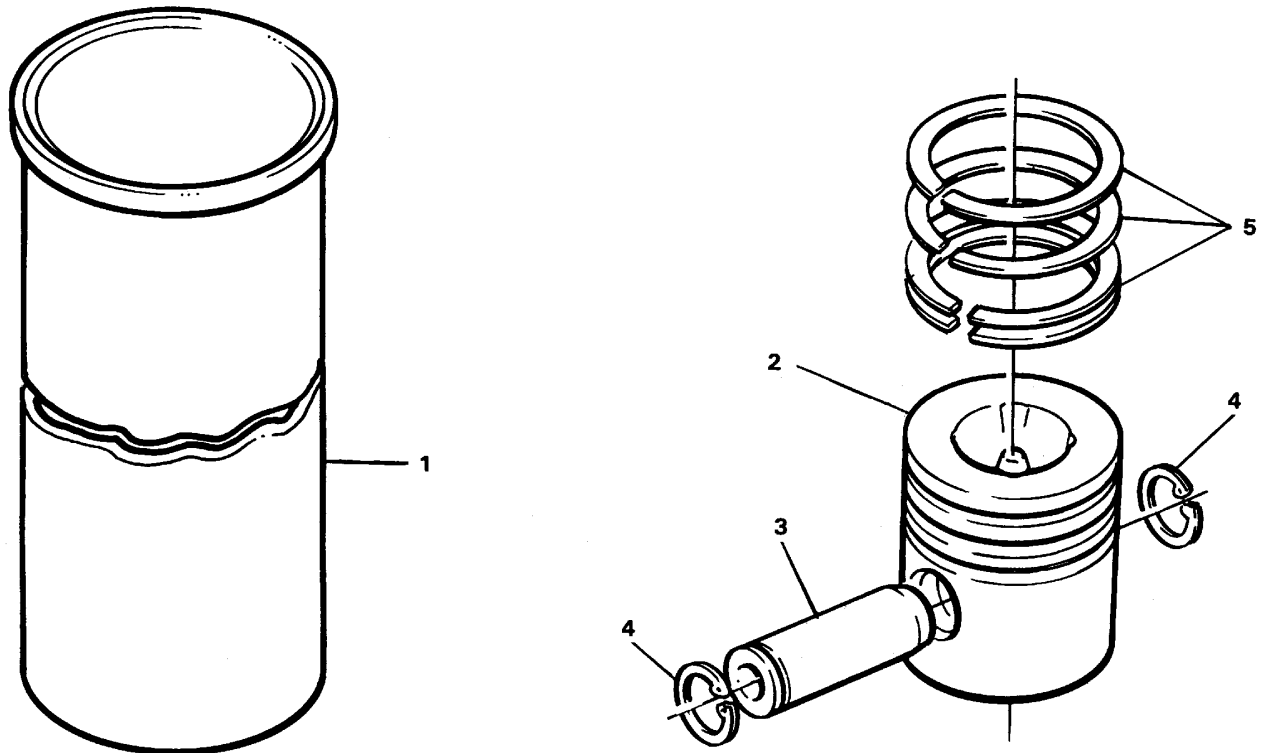


Volvo Construction
Equipment
FN 128

Pos	Part	Q1	Q2	Q3	Q4	Q5	PS	Kit	Description	Option(s)	Remark
1	VOE11997942	1					SS		Flywheel housing		
2		1					NS		Plate		
3	VOE11998909	2					CS		Screw		

4	VOE6211401	1						Gasket		(VOE11702569)
5	VOE11709238	1						Plug		(VOE11702143)
6	VOE11997935	3					CS	Plug		
7	VOE483449	2						Pin		
8	VOE11701723	6					SS	Screw		
9	VOE13965191	2						Screw		(VOE11997884)
10	VOE11039362	1					CS	Induction sensor		
11	VOE11997258	1					CS	Adapter ring		
12	VOE60113093	12						Flange screw		(VOE946329)

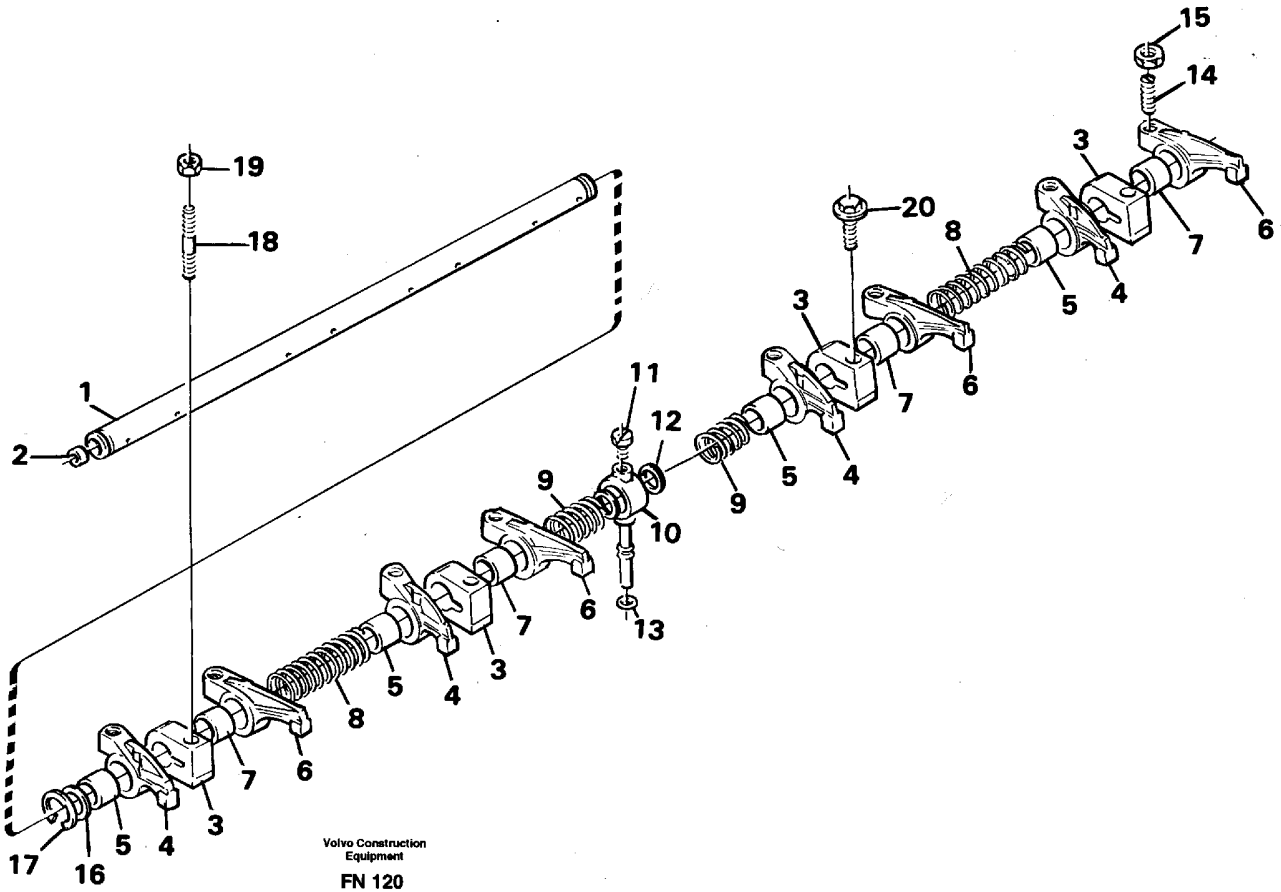
Date: 8/6/2025	Image id: FN122	Catalogue: 99519	Model: EC150C
Brand: Åkerman	Serial: 201-253	Group/Section: 213/100	Title: Cylinder liner and piston



Volvo Construction
Equipment
FN 122

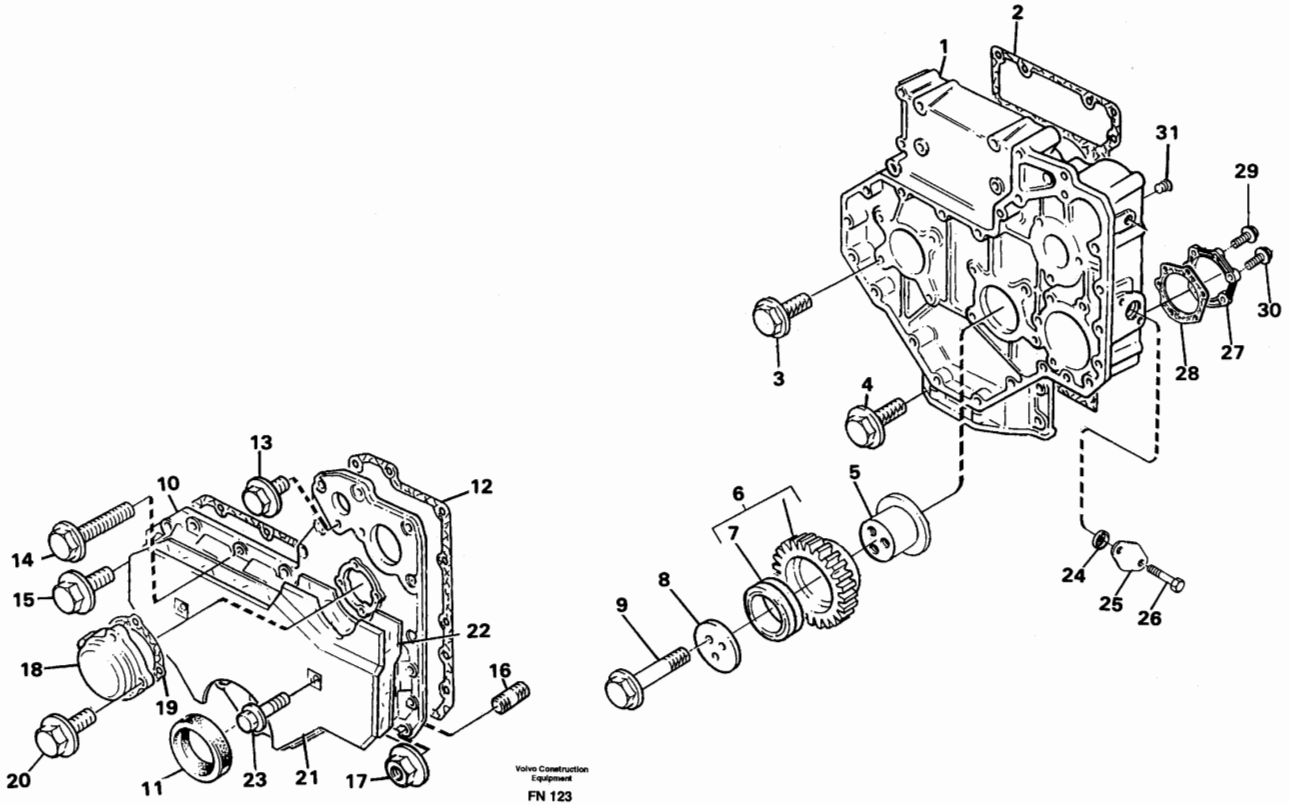
Pos	Part	Q1	Q2	Q3	Q4	Q5	PS	Kit	Description	Option(s)	Remark
1	VOE11998997	4							Cylinder liner		
2	VOE11701539	4					CS		Piston kit		
3		4					NS		•Piston pin		
4	VOE11998877	8					CS		•Snap ring		
5	VOE11701524	4							Piston ring kit		

Date: 8/6/2025	Image id: FN120	Catalogue: 99519	Model: EC150C
Brand: Åkerman	Serial: 201-253	Group/Section: 214/100	Title: Valve mechanism



Pos	Part	Q1	Q2	Q3	Q4	Q5	PS	Kit	Description	Option(s)	Remark
	VOE11701547	1					CS		Rocker arm kit		
1	VOE483361	1					CS		•Rocker arm shaft		
2	VOE6613201	2					CS		••Plug		
3	VOE11997850	4					CS		•Bearing bracket		
4	VOE11704518	4					CS		•Rocker arm		(VOE11701548)
5	VOE11998104	4					CS		••Bushing		
6	VOE11704584	4					CS		•Rocker arm		(VOE11701549)
7	VOE11998104	4					CS		••Bushing		
8	VOE483363	2							•Spring		(VOE7483363)
9	VOE483364	2							•Spring		
10	VOE11997853	1					CS		•Pipe		
11	VOE11997854	1					CS		•Screw		
12	VOE11997855	2					CS		•Shim		
13	VOE483510	1							•Sealing ring		
14	VOE3976859	8							•Stud		(VOE6616717)
15	VOE940175	8							•Nut		
16	VOE11997856	2					CS		•Washer		

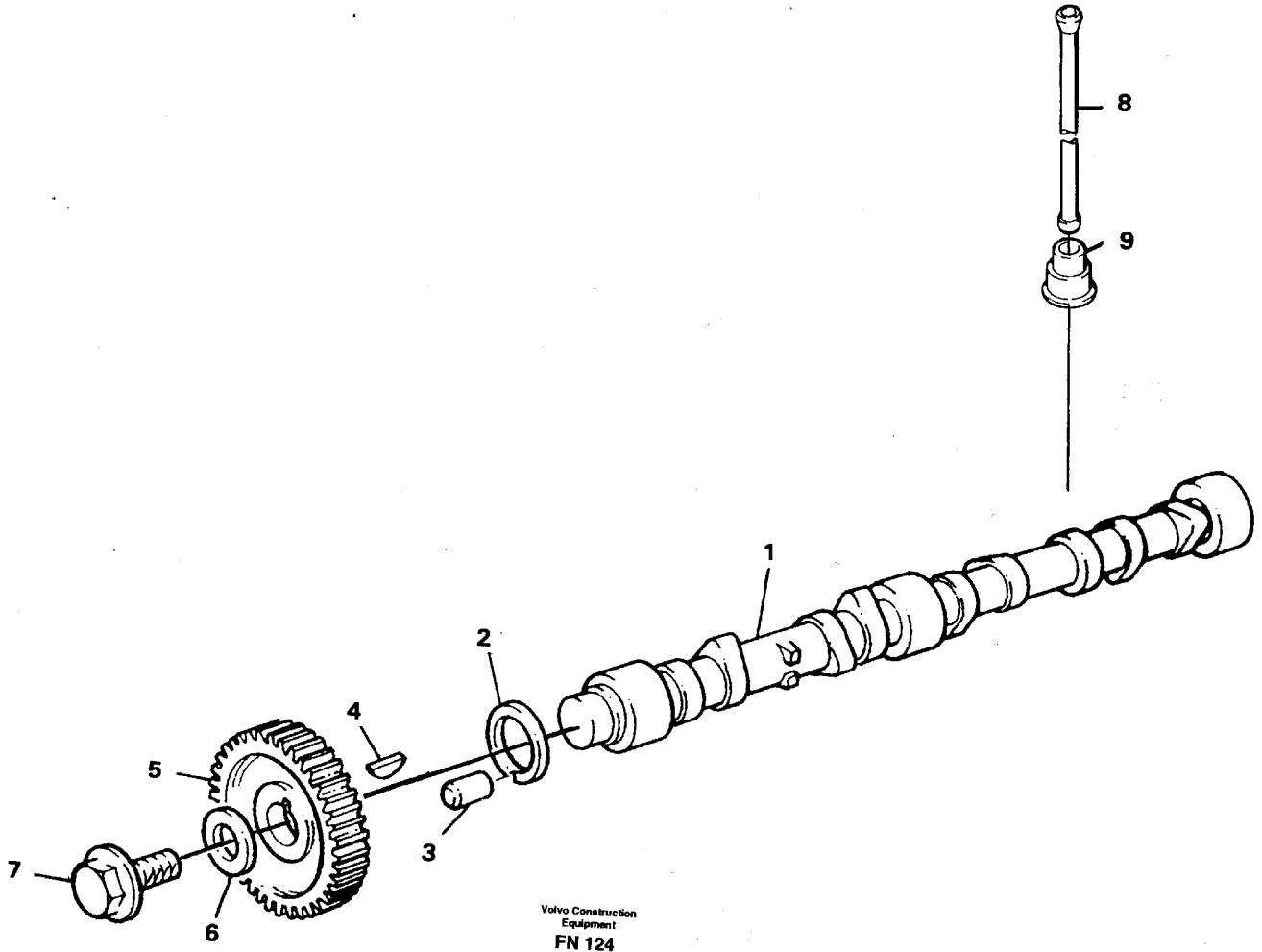
Date: 8/6/2025	Image id: FN123	Catalogue: 99519	Model: EC150C
Brand: Åkerman	Serial: 201-253	Group/Section: 215/100	Title: Timing gear casing



Pos	Part	Q1	Q2	Q3	Q4	Q5	PS	Kit	Description	Option(s)	Remark
1	VOE11716115	1					CS		Timing gear casing		(VOE11701553)
2	VOE11711203	1							Gasket		(VOE11997879)
3	VOE984734	8							Flange screw		(VOE946173)
4	VOE11997880	4							Screw		
5	VOE6642825	1					SS		Hub		
6	VOE11997886	1					CS		Gear		
7		1					NS		•Bushing		
8	VOE11701556	1					SS		Plate		
9	VOE60113100	3							Flange screw		(VOE13965187)
10	VOE11997887	1					SS		Timing gear cover		
11	VOE6212928	1							Sealing ring		
12	VOE11988378	1							Gasket		(VOE11997888)
13	VOE13965181	6							Screw		
14	VOE984736	6							Flange screw		(VOE11997901)
15	VOE60113081	1							Flange screw		(VOE13945444)
16	VOE11997915	2							Stud		
17	VOE60113140	2							Flange nut		(VOE13945408)
18	VOE11997890	1					CS		Cover		
19	VOE11997891	1					CS		Gasket		

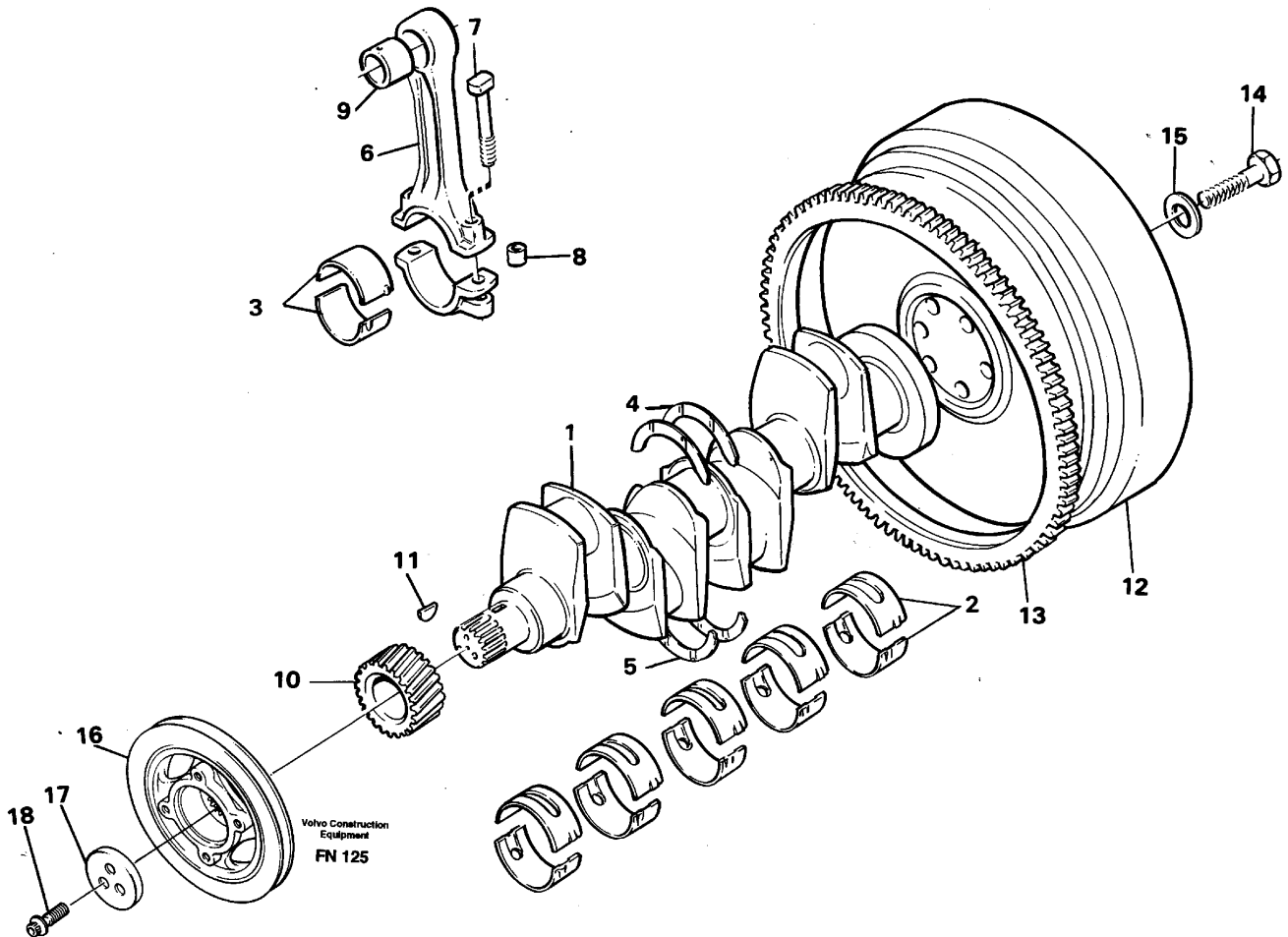
20	VOE11997893	4					SS		Screw		
21	VOE3976562	1					CS		Noise shield		(VOE11701557)
22	VOE3976563	1					CS		Sound absorber		(VOE11701558)
23	VOE60113237	2							Flange screw		(VOE13945358)
24	VOE11997996	1					CS		Strainer		
25	VOE11700796	1					SS		Plate		
26	VOE984734	2							Flange screw		(VOE946173)
27	VOE11998060	1					SS		Spacer		
28	VOE11998164	1							Gasket		(VOE11998061)
29	VOE11997880	5							Screw		
30	VOE990861	1							Flange screw		(VOE946472)
31	VOE479977	1					SS		Plug		

Date: 8/6/2025	Image id: FN124	Catalogue: 99519	Model: EC150C
Brand: Åkerman	Serial: 201-253	Group/Section: 215/150	Title: Camshaft



Pos	Part	Q1	Q2	Q3	Q4	Q5	PS	Kit	Description	Option(s)	Remark
1	VOE11701554	1					CS		Camshaft		
2	VOE11997882	1					CS		Washer		
3	VOE6210552	1							Pin		
4	VOE483448	1							Key		
5	VOE11700783	1					CS		Gear		
6	VOE11997885	1							Washer		
7	VOE11701555	1							Screw		
8	VOE483371	8							Push rod		
9	VOE3976551	8							Tappet		(VOE483370)

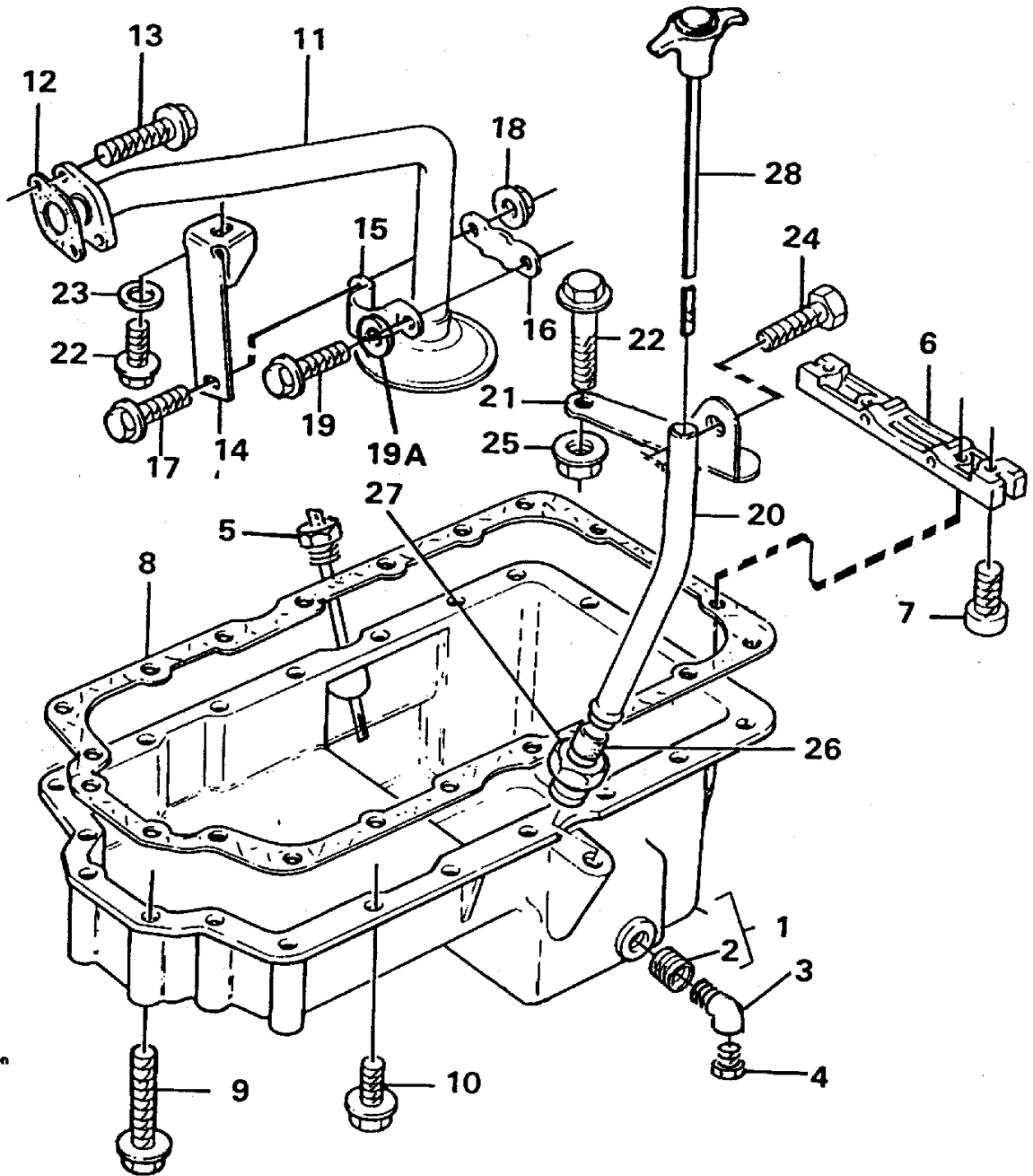
Date: 8/6/2025	Image id: FN125	Catalogue: 99519	Model: EC150C
Brand: Åkerman	Serial: 201-253	Group/Section: 216/100	Title: Crankshaft and related parts



Pos	Part	Q1	Q2	Q3	Q4	Q5	PS	Kit	Description	Option(s)	Remark
1	VOE17271722	1							Crankshaft		(VOE11999180)
2	VOE483350	1					SS		•Main bearing kit		(VOE7483350)STD SZ
	VOE17406904	1					CS		•Main bearing kit		(VOE7483351)0,25 mm U SZ
	VOE483352	1							•Main bearing kit		(VOE7483352)0,50 mm U SZ
	VOE483353	1							•Main bearing kit		(VOE7483353)0,75 mm U SZ
3	VOE11997824	1							•Big End Brg Kit		STD SZ
	VOE11997825	1					CS		•Big End Brg Kit		0,25 mm U SZ
	VOE11997826	1					CS		•Big End Brg Kit		0,50 mm U SZ
	VOE11997827	1					CS		•Big End Brg Kit		(VOE7483357)0,75 mm U SZ
4	VOE483336	2							•Thrust washer		(VOE7483336)STD SZ
	VOE7483338	2					SS		•Thrust Washer		0,19 mm O SZ
5	VOE483337	2							•Thrust washer		(VOE7483337)STD SZ

	VOE483339	2							•Thrust washer		(VOE7483339)0,19 mm O SZ
6	VOE11999002	4					SS		Connecting rod kit		
7	VOE11999004	8							•Screw		
8	VOE11999005	8					CS		•Sleeve		
9	VOE11999621	4					CS		•Bearing bushing		
10	VOE11997833	1					CS		Gear		
11	VOE483448	1							Key		(VOE7483448)
12	VOE11999539	1					CS		Flywheel		
13	VOE11997947	1							•Gear ring		
14	VOE11997945	12					CS		Bolt		
15	VOE11997946	12							Washer		
16	VOE11997037	1					CS		Pulley		
17	VOE11997970	1					CS		Block		
18	VOE11997971	3					CS		Screw		

Date: 8/6/2025	Image id: FN126	Catalogue: 99519	Model: EC150C
Brand: Åkerman	Serial: 201-253	Group/Section: 217/100	Title: Oil sump

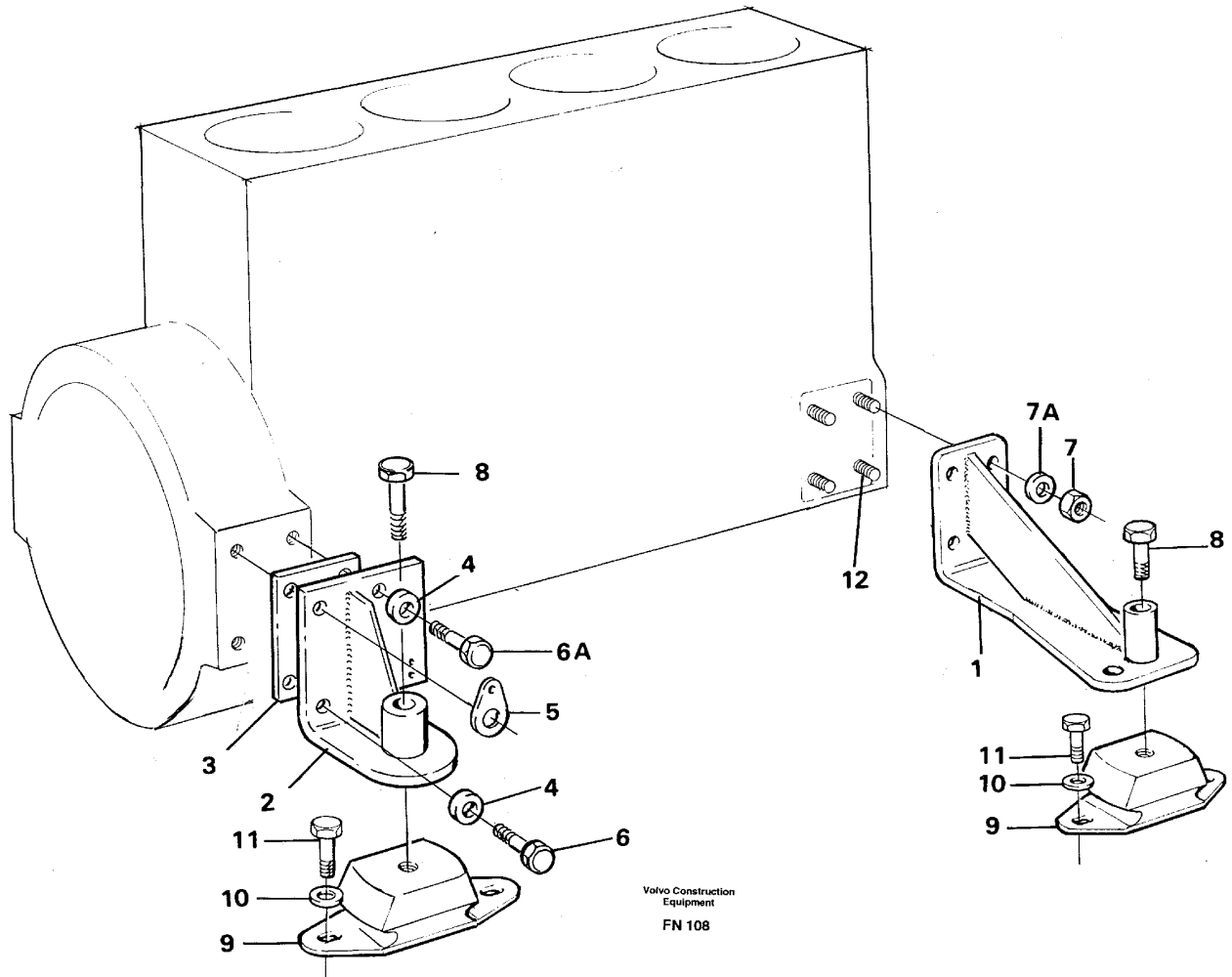


Volvo Construction
Equipment
FN 126

Pos	Part	Q1	Q2	Q3	Q4	Q5	PS	Kit	Description	Option(s)	Remark
1	VOE11712585	1					CS		Oil pan		(VOE11997039)
2	VOE11997987	2					CS		•Insert sleeve		
3	VOE14216233	2					CS		Elbow		
4	VOE14216234	2					CS		Plug		
5	VOE11703450	1					CS		Sensor		(VOE11702279)
6	VOE11701581	1					CS		Bridge		(VOE11997978)

7	VOE11997813	2					SS	Screw		
8	VOE11997979	1						Gasket		
9	VOE969189	6						Flange screw		(VOE11997968)
10	VOE984734	14						Flange screw		(VOE946173)
11	VOE11997040	1					CS	Oil pipe		
12	VOE11707068	1						Gasket		(VOE11701582)
13	VOE984738	2						Flange screw		(VOE13947760)
14	VOE11997041	1					CS	Bracket		
15	VOE11997043	1					CS	Clamp		
16	VOE11997042	1					CS	Plate		
17	VOE60113069	1						Flange screw		(VOE13946544)
18	VOE11998120	2					CS	Nut		
19	VOE13965175	1						Screw		
19A	VOE11701583	1					CS	Washer		
20	VOE11997044	1					SS	Oil pipe		
21	VOE11997046	1					CS	Bracket		
22	VOE984733	1						Flange screw		(VOE946440)
23	VOE6639370	1					CS	Washer		
24	VOE946471	2						Flange screw		
25	VOE60113140	1						Flange nut		(VOE13945408)
26	VOE11997985	1					CS	O-ring		
27	VOE11998893	1					CS	Nut		
28	VOE11997047	1					SS	Dipstick		

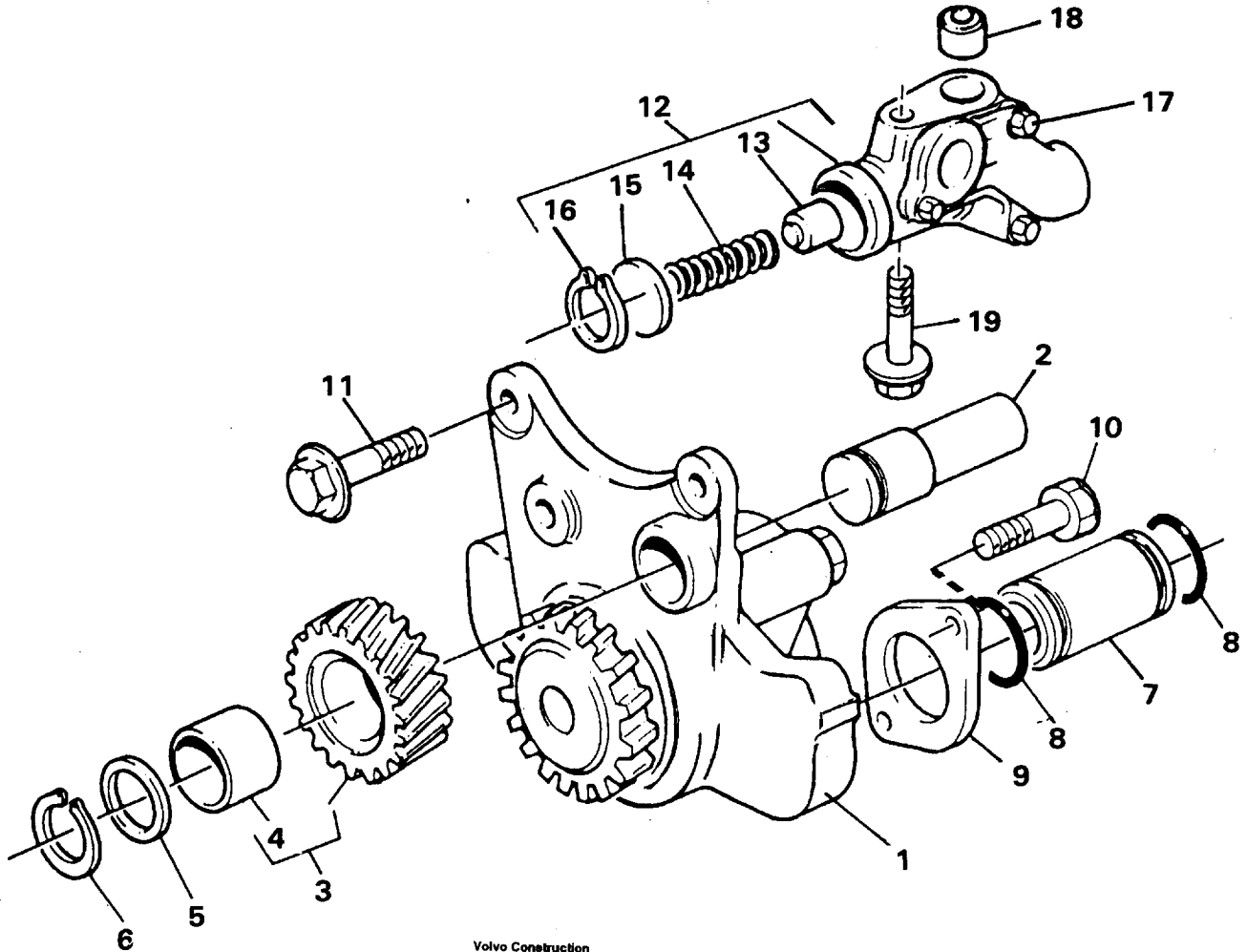
Date: 8/6/2025	Image id: FN108	Catalogue: 99519	Model: EC150C
Brand: Åkerman	Serial: 201-253	Group/Section: 218/100	Title: Engine mounting



Pos	Part	Q1	Q2	Q3	Q4	Q5	PS	Kit	Description	Option(s)	Remark
1	VOE14257205	2					CS		Engine anchorage		
2	VOE14257210	1					CS		Engine anchorage		RH
	VOE14267325	1					SS		Engine anchorage		LH
3	VOE14258737	1					CS		Spacer		RH
4	VOE14040547	8					CS		Spacer		
5	VOE14252169	1					CS		Attachment		
6	VOE60113111	4							Flange screw		(VOE13965193)L = 50mm
6A	VOE60113113	4							Flange screw		(VOE13965194)L = 60mm
7	VOE13971090	8							Lock nut		
7A	VOE994870	8							Plain washer		(VOE14248129)
8	VOE955372	4							Hexagon screw		
9	VOE14266108	4					CS		Rubber damper		

10	VOE13960145	8						Washer		
11	VOE997446	8						Hexagon screw		(VOE13970970)
12	VOE11998146	8					CS	Stud		
	VOE14024293	REQ					CS	Locking fluid		

Date: 8/6/2025	Image id: FN127	Catalogue: 99519	Model: EC150C
Brand: Åkerman	Serial: 201-253	Group/Section: 221/100	Title: Oil pump

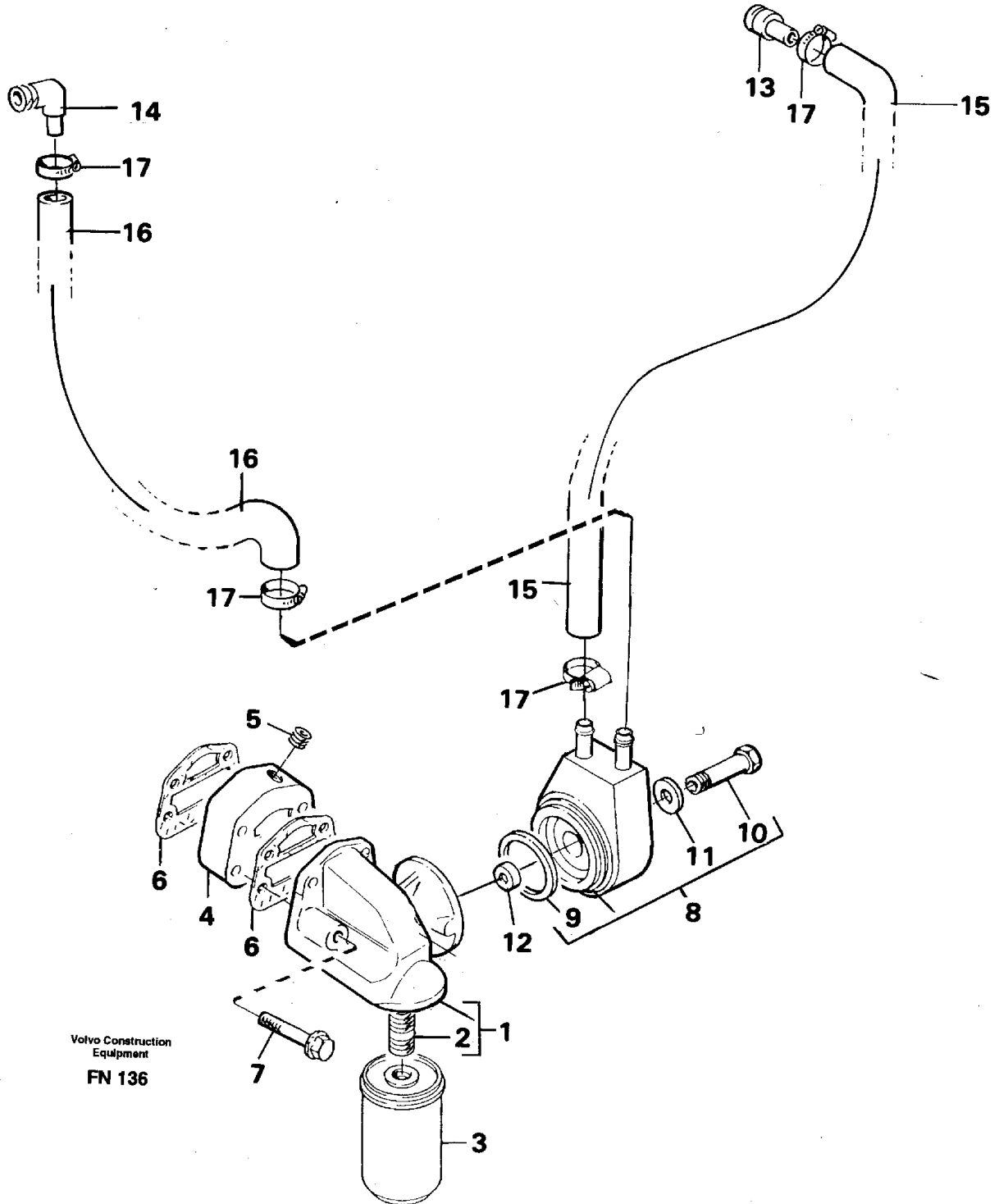


Volvo Construction
Equipment
FN 127

Pos	Part	Q1	Q2	Q3	Q4	Q5	PS	Kit	Description	Option(s)	Remark
1	VOE11997020	1							Oil pump		
2	VOE11997006	1					CS		Shaft		
3	VOE11997897	1					CS		Gear		
4	VOE11997898	1					CS		•Bushing		
5	VOE11997899	1					CS		Washer		
6	VOE483469	1							Lock ring		(VOE7483469)
7	VOE11997908	1					CS		Pipe		
8	VOE11997909	2							O-ring		
9	VOE11997910	1							Flange		
10	VOE60113081	2							Flange screw		(VOE13945444)
11	VOE984736	3							Flange screw		(VOE11997901)
12	VOE11997902	1					SS		Overflow valve		
13	VOE11997903	1					CS		•Piston		

14	VOE11997904	1					SS		•Spring		
15	VOE11997905	1					CS		•Cover		
16	VOE11997906	1					CS		•Lock ring		
17	VOE984728	3							•Flange screw		(VOE11997021)
18	VOE6211943	1					SS		Sleeve		
19	VOE11997907	1					SS		Screw		

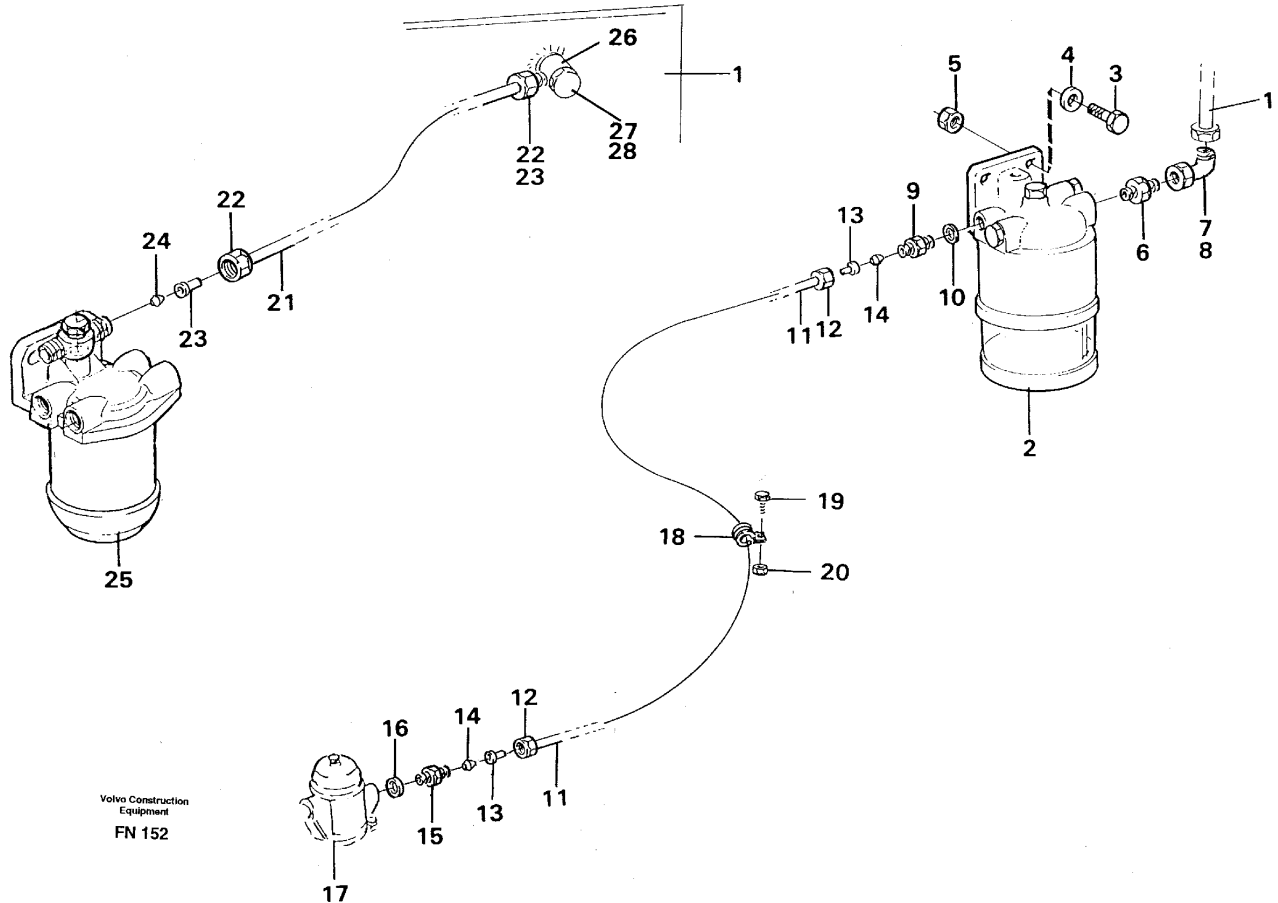
Date: 8/6/2025	Image id: FN136	Catalogue: 99519	Model: EC150C
Brand: Åkerman	Serial: 201-253	Group/Section: 223/100	Title: Oil cooler



Pos	Part	Q1	Q2	Q3	Q4	Q5	PS	Kit	Description	Option(s)	Remark
1	VOE11700790	1					CS		Filter housing		
2	VOE11999547	1							•Pipe connection		
3	VOE17262703	1							Oil Filter		(VOE11998008)

4	VOE11702144	1					CS	Adapter		
5	VOE11997843	1						Plug		
6	VOE11998009	2						Gasket		(VOE11998009)
7	VOE11998011	2						Screw		
8	VOE11712750	1					CS	Oil cooler		(VOE11700761)
9	VOE11998014	1					CS	•Gasket		
10	VOE11700759	1					CS	•Screw		
11	VOE11700760	1						•Gasket		
12	VOE11997927	1					SS	Sealing ring		
13	VOE11988381	1					CS	Adapter		(VOE11998027)
14	VOE11701602	1					CS	Elbow		
15	VOE943368	REQ						Hose		L = 450mm
16	VOE943368	REQ						Hose		L = 530mm
17	VOE13943472	4						Hose clamp		(VOE943472)

Date: 8/6/2025	Image id: FN152	Catalogue: 99519	Model: EC150C
Brand: Åkerman	Serial: 201-253	Group/Section: 230/50	Title: Fuel system: Fuel tank - fuel pump



Pos	Part	Q1	Q2	Q3	Q4	Q5	PS	Kit	Description	Option(s)	Remark
1		1							Fuel tank		See ref 234/100
2		1							Water separator		See ref 233/150
3	VOE60111877	2							Hexagon screw		(VOE955297)
4	VOE60110236	2							Plain washer		(VOE13955894)
5	VOE60110331	2							Hexagon nut		(VOE955782)
6	VOE14100430	1							Fitting		
7	VOE14012393	1							Fitting		
8	VOE14211900	1					CS		•O-ring		
9	VOE13945903	1							Nipple		
10	VOE13947621	1							Plane gasket		
11	VOE13945461	1							Plastic pipe		(VOE14259425)
12	VOE326596	2							Fitting nut		(VOE7326596)
13	VOE967559	2							Sleeve		
14	VOE326599	2							Ferrule		(VOE7326599)
15	VOE13948214	1					CS		Nipple		
16	VOE907133	1							Gasket		

17		1							Fuel pump		See ref 233/50
18	VOE952625	1							Clamp		
19	VOE60111863	1							Hexagon screw		(VOE955269)
20	VOE13955781	1							Nut		
21	VOE14259424	1					SS		Tube Assembly		
22	VOE954356	2							Fitting nut		
23	VOE944717	2							Sleeve		
24	VOE954364	1							Ferrule		
25		1							Fuel filter		See ref 233/100
26	VOE13945417	1							Banjo nipple		
27	VOE968178	1							Hollow screw		
28	VOE13947282	2							Gasket		

Product: Volvo EC150C Akerman Excavators Part Manual

Full Download: <https://www.aresairmanual.com/downloads/volvo-ec150c-akerman-excavators-part-manual/>

12	VOE483963	2					CS	Washer		
13	VOE795099	1					CS	Hollow screw		
14	VOE11701652	1					CS	Fuel pipe		
15	VOE954356	1						Fitting nut		
16	VOE954364	1						Ferrule		
17	VOE483509	1					CS	Fitting nut		
18	VOE483510	1						Sealing ring		
19	VOE11701650	1					CS	Fuel pipe		
20	VOE483509	2					CS	Fitting nut		
21	VOE483510	2						Sealing ring		
22	VOE11998122	1					CS	Connector		
23	VOE787105	1						Screw		
24	VOE13947281	2						Gasket		
25	VOE954364	1						Ferrule		
26	VOE954356	1						Fitting nut		
27	VOE11701653	1					CS	Fuel pipe		
28	VOE483467	2						Nut		
29	VOE483468	2						Ferrule		
30	VOE11998118	1					CS	Bracket		
31	VOE11998121	1					CS	Spacer		
32	VOE11998119	1					CS	Screw		
33	VOE11998120	1					CS	Nut		
34	VOE13965175	1						Screw		
35	VOE11701108	2					CS	Retainer		
36	VOE6613198	1						Screw		
37	VOE957171	2						Gasket		
38		1						Pipe		See ref 237/50
39	VOE11701577	1					CS	Fuel pipe		
40	VOE11997930	1					CS	•Nut		
41	VOE483468	1						•Ferrule		
42	VOE954348	1						Nut		
43	VOE954363	1						Olive		
44	VOE6613120	1					CS	Fitting		
45	VOE6613881	2						Spacer		
46	VOE6613880	2					CS	Clamp		
47	VOE11997936	1					CS	Screw		
48	VOE11997937	1						Nut		

Sample of manual. Download All 397 pages at:

<https://www.aresairmanual.com/downloads/volvo-ec150c-akerman-excavators-part-manual/>