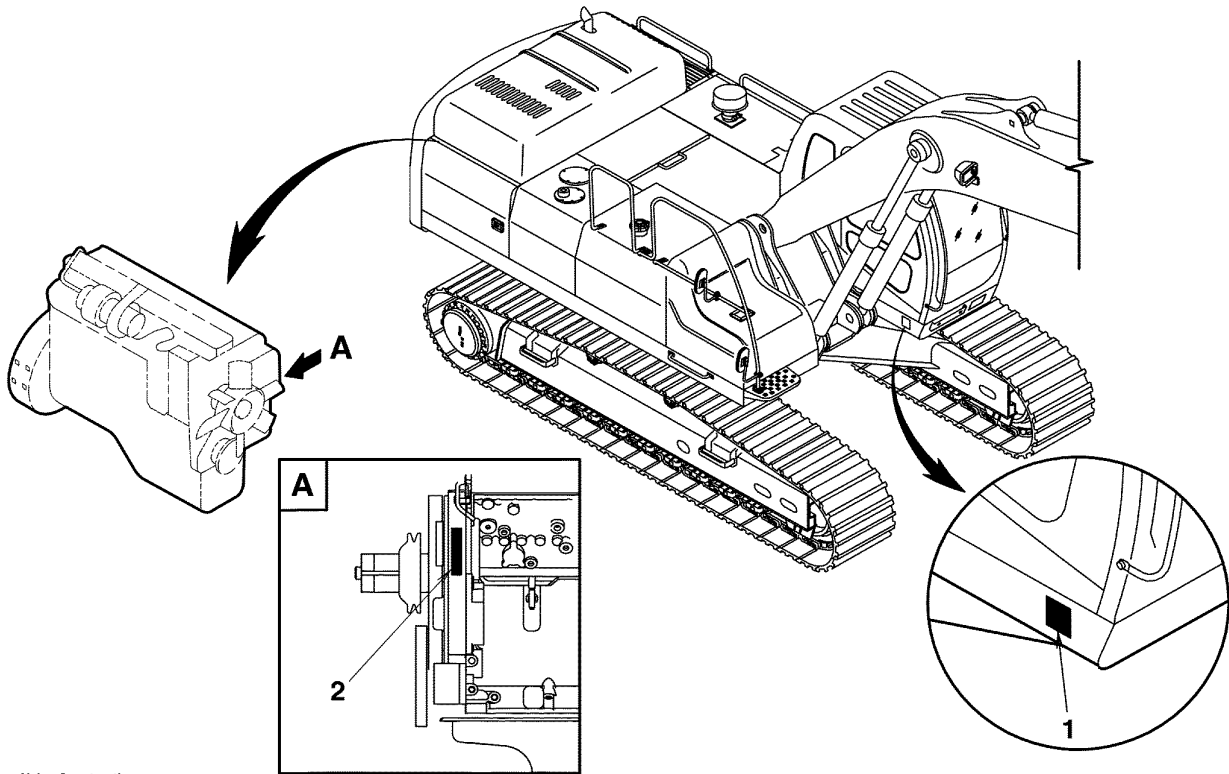


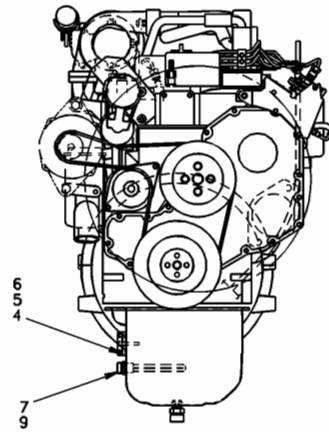
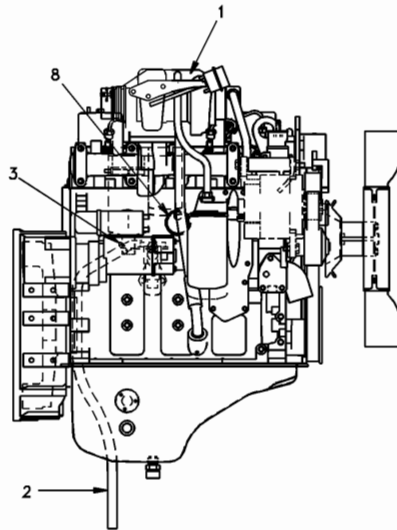
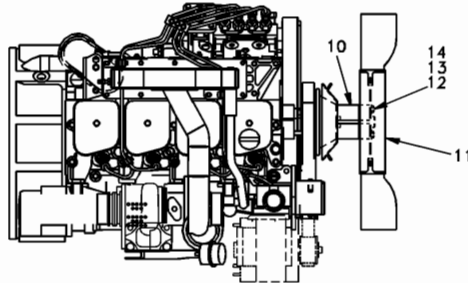
Date: <b>8/6/2025</b>	Image id: <b>SO100</b>	Catalogue: <b>56126</b>	Model: <b>EC150</b>
Brand: <b>Volvo</b>	Serial: <b>3001-9999 -</b>	Group/Section: <b>030/100</b>	Title: <b>Product identification plate</b>



Volvo Construction  
Equipment  
**SO100**

Pos	Part	Q1	Q2	Q3	Q4	Q5	PS	Kit	Description	Option(s)	Remark
1									Product sign plate		
2									Engine sign plate		

Date: <b>8/6/2025</b>	Image id: <b>SO101A</b>	Catalogue: <b>56126</b>	Model: <b>EC150</b>
Brand: <b>Volvo</b>	Serial: <b>3001-9999 -</b>	Group/Section: <b>210/100</b>	Title: <b>Engine</b>



Volvo Construction  
Equipment  
SO101A

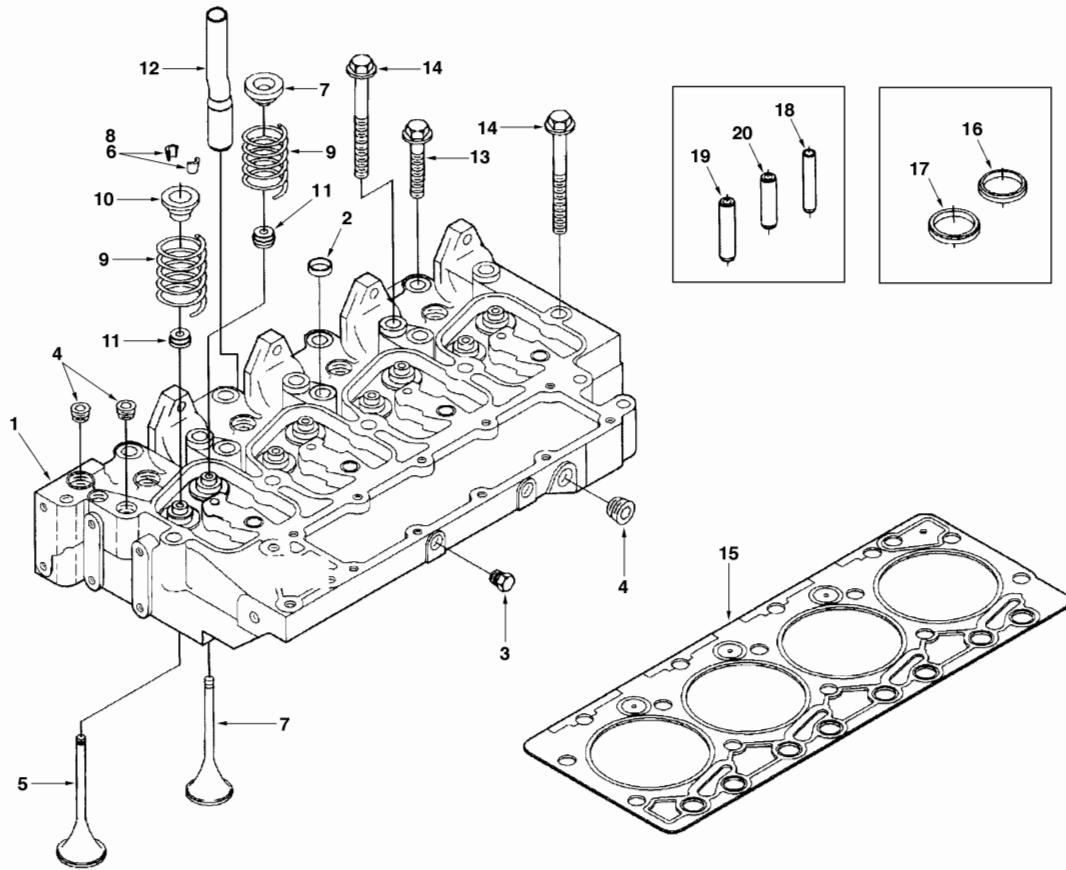
Section option	Kit	Option description
SADK00A001		Basic Machine EC150
SADK04C001		Engine block heater 120V
SADK04C002		Engine block heater 240V
SADK04H001		Cooling system
SADK04H002		Cooling system for tropical

Q1-Q5	Option	Option description	
Q1	DK00A001		
Q2	DK04C001		
Q3	DK04C002		
Q4	DK04H001		
Q5	DK04H002		

Pos	Part	Q1	Q2	Q3	Q4	Q5	PS	Kit	Description	Option(s)	Remark
1	VOE14504020	1					CS		Engine		
2	SA9952-19016	1					SS		Hose		

3	SA9312-00006	1						Hose clamp		
4	SA1111-00221	1					CS	Connector		
5	VOE990581	1						O-ring		(SA9511-22025)
6	SA9016-10603	3						Hex. socket screw		
7	SA2011-00440		1					Heater		120V
	SA2011-00430			1				Heater		240V
8	SA2011-00500		1				CS	Heater		120V
	SA2011-00490			1				Heater		240V
9	VOE13947627		1	1				Plane gasket		(SA9426-20080)
10	SA2011-01080	1					CS	Spacer		
11	VOE14504754				1		CS	Cooling Fan		STD 18"
	VOE14504755				1		CS	Cooling Fan		TROPICAL 20"
12	SA9011-21019				4	4		Hexagon screw		
13	VOE997383				4	4		Washer		(SA9211-10000)
14	SA9213-10000				4	4	SS	Spring washer		SER NO 3001-3172
	VOE955922				4	4		Spring washer		SER NO 3173-

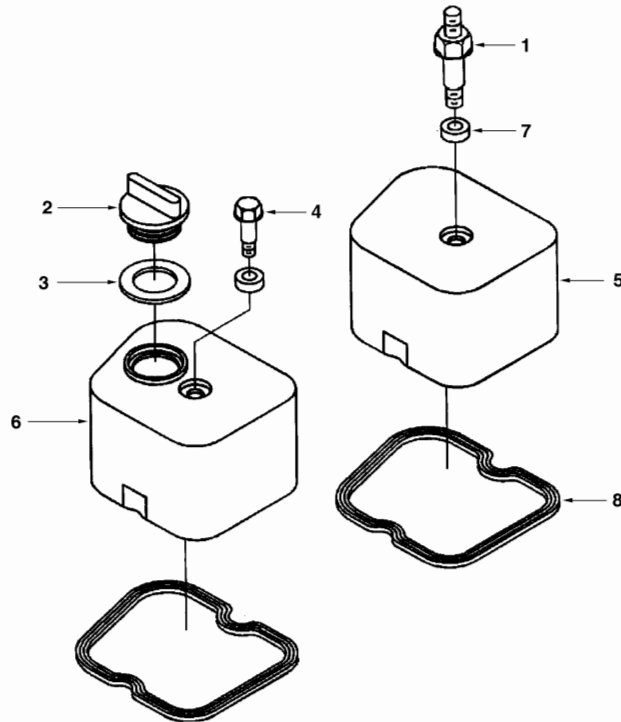
Date: <b>8/6/2025</b>	Image id: <b>SO102</b>	Catalogue: <b>56126</b>	Model: <b>EC150</b>
Brand: <b>Volvo</b>	Serial: <b>3001-9999 -</b>	Group/Section: <b>211/100</b>	Title: <b>Cylinder head</b>



Pos	Part	Q1	Q2	Q3	Q4	Q5	PS	Kit	Description	Option(s)	Remark
1	SA3930918	1					CS		Cylinder head		
2	SA3812092	2					CS		•Plug		
3	SA3906619	1					CS		•Plug		
4	SA3008468	5							•Tube plug		
5	SA3802355	4					CS		•Valve		INLET
6	SA3900250	8					CS		••Collet		
7	SA3802356	4					CS		•Valve		OUTLET
8	SA3900250	8					CS		••Collet		
9	SA3926700	8					CS		•Spring		
10	SA3935038	8					CS		•Retainer		
11	SA3921640	8							•Seal		
12	SA3934712	1					CS		Pipe		
13	SA3920779	4					CS		Bolt		
14	VOE11716103	10							Bolt		(SA3920780)
15	SA3283333	1					CS		Gasket		
16	SA3925177	REQ					CS		Insert		INTAKE

17	SA3925176	REQ					CS		Insert		OUTLET
18	SA3906206	REQ					CS		Guide		INTAKE AND OUTLET
19	SA3904408	REQ					CS		Guide		INTAKE
20	SA3904409	REQ					CS		Guide		OUTLET

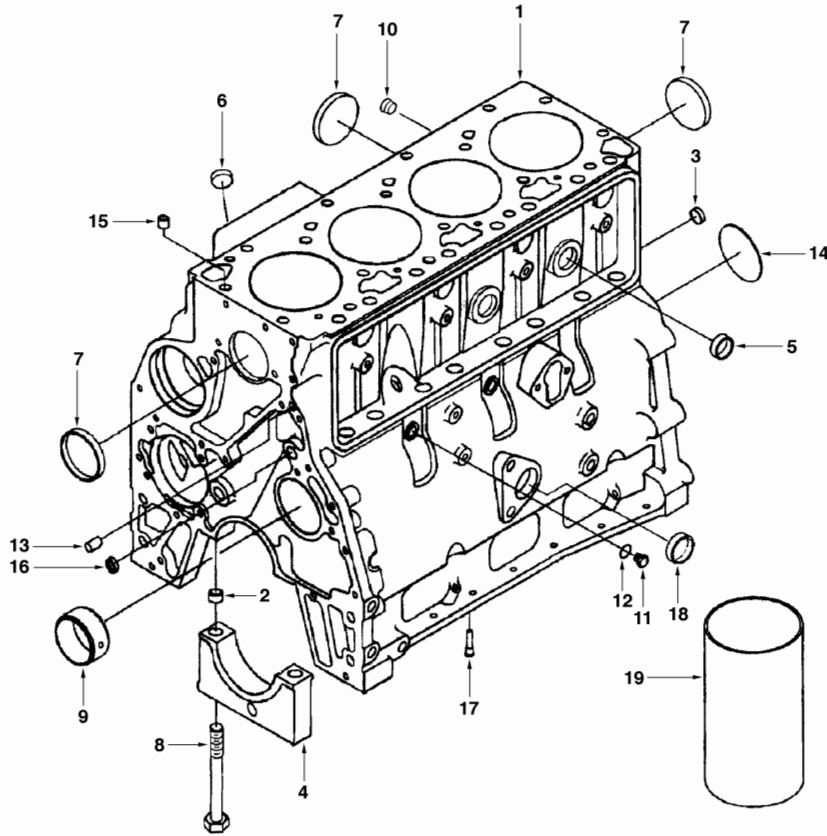
Date: <b>8/6/2025</b>	Image id: <b>SO103</b>	Catalogue: <b>56126</b>	Model: <b>EC150</b>
Brand: <b>Volvo</b>	Serial: <b>3001-9999 -</b>	Group/Section: <b>211/200</b>	Title: <b>Valve cover</b>



Volvo Construction  
Equipment  
SO103

Pos	Part	Q1	Q2	Q3	Q4	Q5	PS	Kit	Description	Option(s)	Remark
1	SA3920344	1					CS		Screw		
2	VOE11716072	1							Cap		(SA3901895)
3	SA3902363	1					SS		Seal		
4	SA3907049	3					CS		Screw		
5	SA3928404	3					CS		Cover		
6	SA3928405	1					CS		Cover		
7	SA3928406	4					SS		Seal		
8	SA3930906	4					SS		Gasket		

Date: <b>8/6/2025</b>	Image id: <b>SO104A</b>	Catalogue: <b>56126</b>	Model: <b>EC150</b>
Brand: <b>Volvo</b>	Serial: <b>3001-9999 -</b>	Group/Section: <b>212/100</b>	Title: <b>Cylinder block</b>

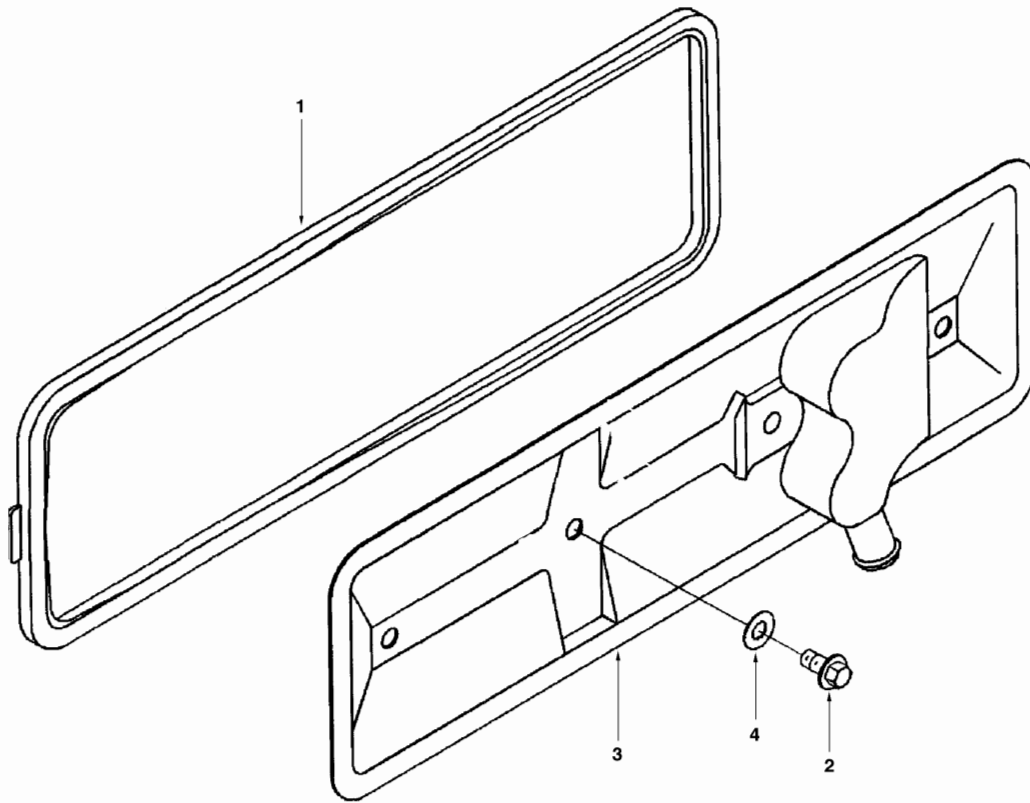


Volvo Construction  
Equipment  
SO104A

Pos	Part	Q1	Q2	Q3	Q4	Q5	PS	Kit	Description	Option(s)	Remark
1	SA3932012	1					SS		Cylinder Block		
2	SA3900068	12					CS		•Ring		
3	SA3900956	3							•Plug		
4	SA3900967	5					SS		•Cap		
5	SA3910435	2					CS		•Plug		
6	SA3920706	6							•Expansion plug		
7	SA3922072	3							•Plug		
8	SA3927948	10					CS		•Screw		
9	SA3940059	1					CS		•Bushing		
	SA3903242	REQ					CS		•Bushing		OSZ 1 BORE
	SA3904369	REQ					CS		•Bushing		OSZ 2-4 BORE
10	SA3008469	1					CS		•Plug		
11	SA3678923	2					CS		•Plug		
12	SA3678925	1					CS		••Seal		
13	SA3900257	2					CS		•Locating pin		
14	SA3900687	1					CS		•Plug		

15	SA3902343	2					CS		•Ring		
16	SA3926047	1					CS		•Seal		
17	SA3930139	4					SS		•Nozzle		
18	SA3900958	1					CS		Plug		
19	SA3904166	REQ					SS		Sleeve		

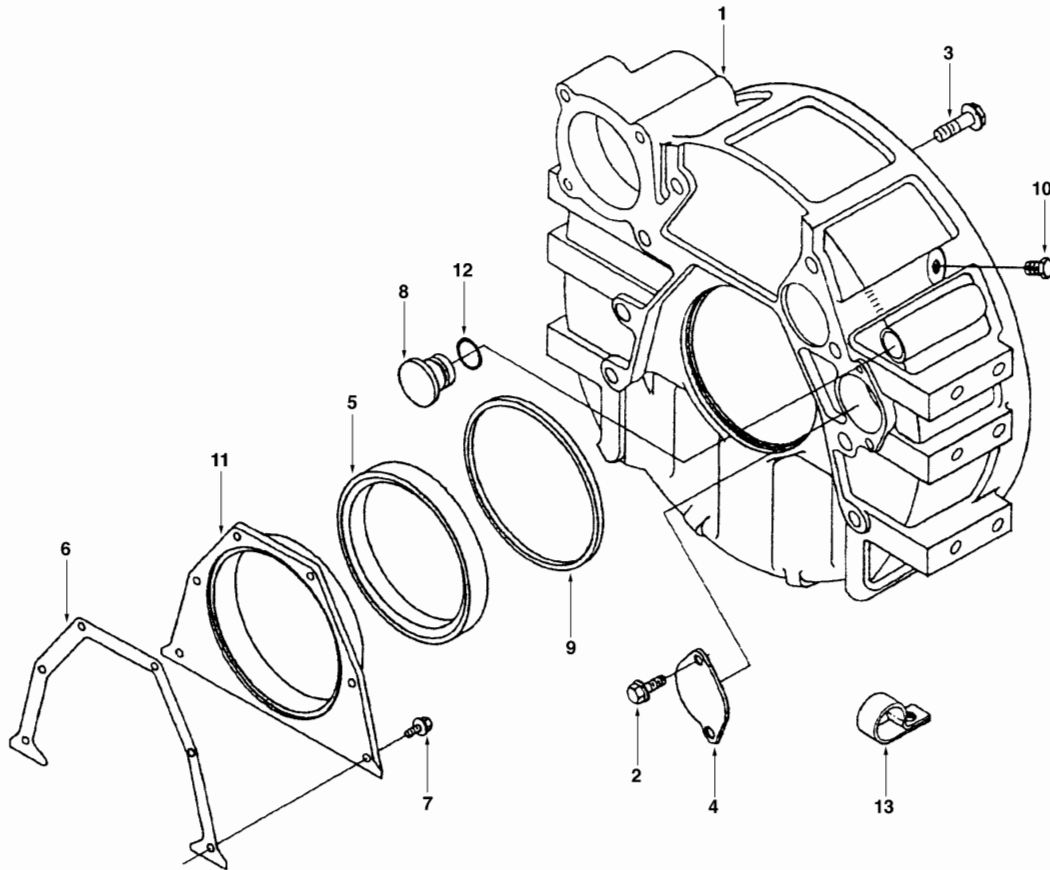
Date: <b>8/6/2025</b>	Image id: <b>SO105</b>	Catalogue: <b>56126</b>	Model: <b>EC150</b>
Brand: <b>Volvo</b>	Serial: <b>3001-9999 -</b>	Group/Section: <b>212/200</b>	Title: <b>Crankcase ventilation</b>



Volvo Construction  
Equipment  
SO105

Pos	Part	Q1	Q2	Q3	Q4	Q5	PS	Kit	Description	Option(s)	Remark
1	SA3283767	1					CS		Gasket		
2	SA3900629	2					CS		Screw		
3	SA3936180	1					CS		Cover		
4	SA3928759	2							Seal		

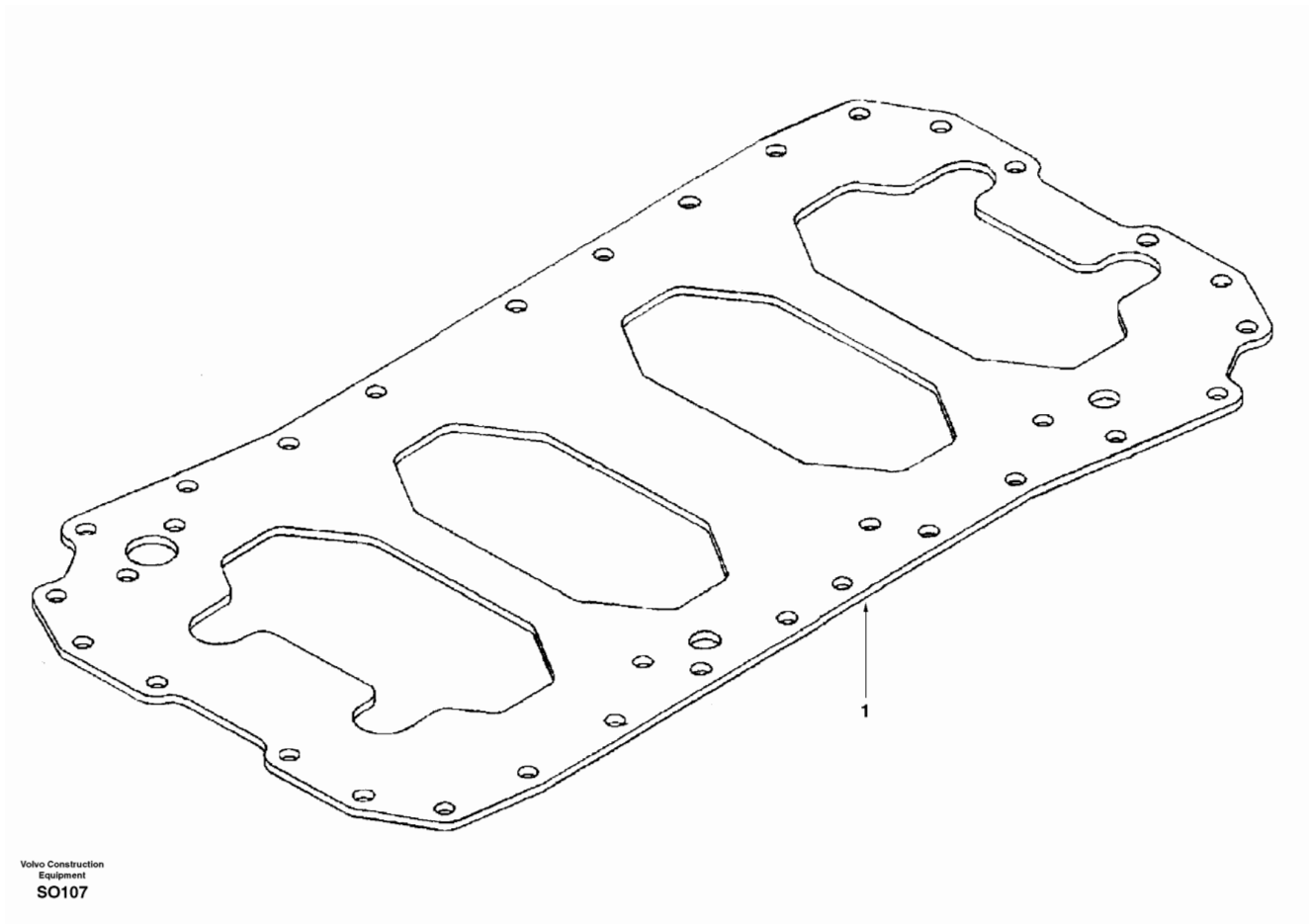
Date: <b>8/6/2025</b>	Image id: <b>SO106</b>	Catalogue: <b>56126</b>	Model: <b>EC150</b>
Brand: <b>Volvo</b>	Serial: <b>3001-9999 -</b>	Group/Section: <b>212/300</b>	Title: <b>Flywheel housing</b>



Volvo Construction  
Equipment  
SO106

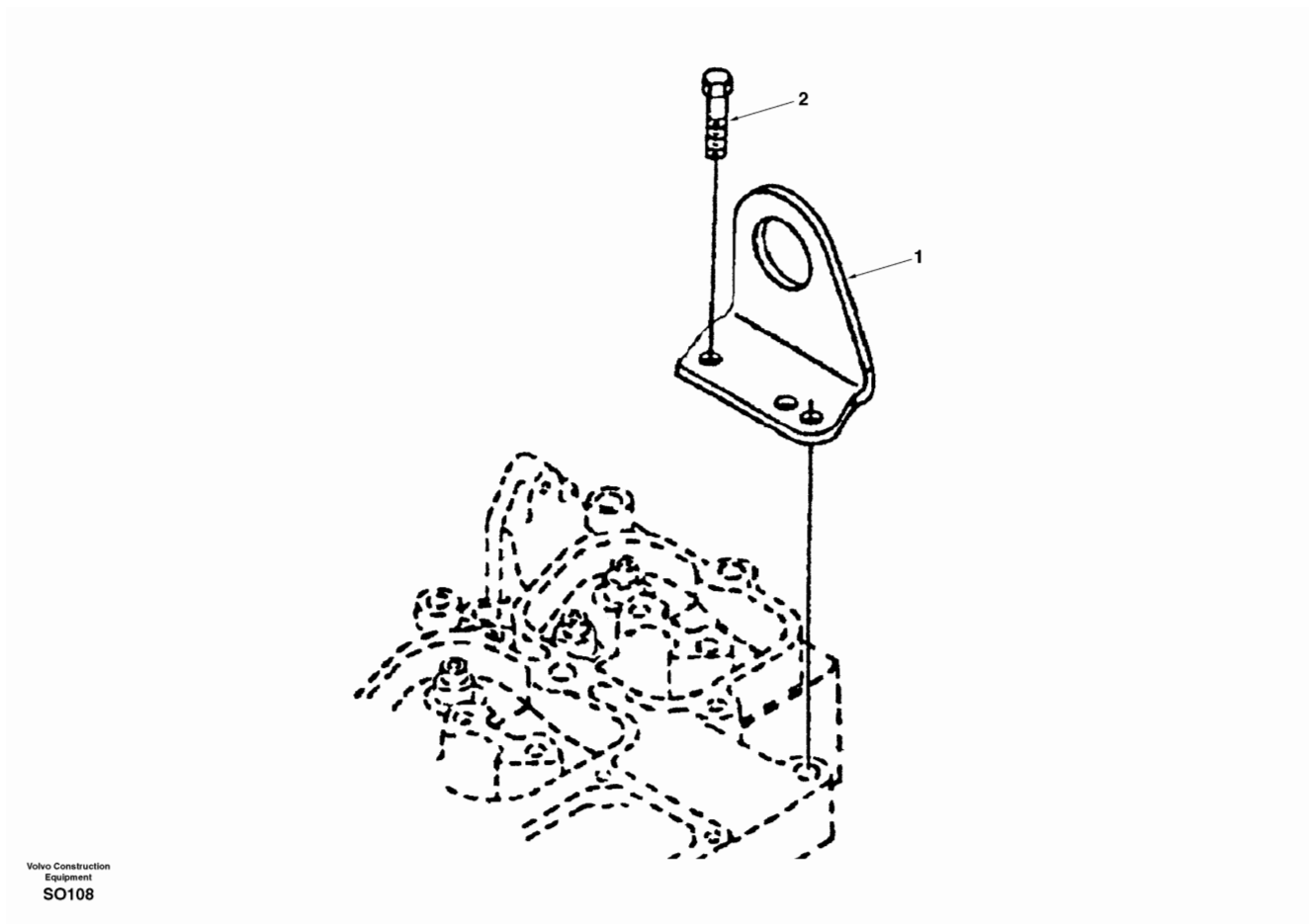
Pos	Part	Q1	Q2	Q3	Q4	Q5	PS	Kit	Description	Option(s)	Remark
1	SA3937426	1					CS		Flywheel housing		
2	SA3912072	2					CS		Screw		
3	SA3920447	8					CS		Screw		
4	SA3925234	1					CS		Plate		
5	SA3934486	1							Crankshaft seal		
6	SA3928493	1							Gasket		
7	SA3913638	6							Screw		
8	SA3910248	1					CS		Plug		
9	SA3912473	1					SS		Seal		
10	SA3904181	1					CS		Plug		
11	SA3936895	1					SS		Cover		
12	VOE11716085	1							Sealing		(SA3910260)
13	SA3928989	1					CS		Clip		

Date: <b>8/6/2025</b>	Image id: <b>SO107</b>	Catalogue: <b>56126</b>	Model: <b>EC150</b>
Brand: <b>Volvo</b>	Serial: <b>3001-9999 -</b>	Group/Section: <b>212/400</b>	Title: <b>Noise panel</b>



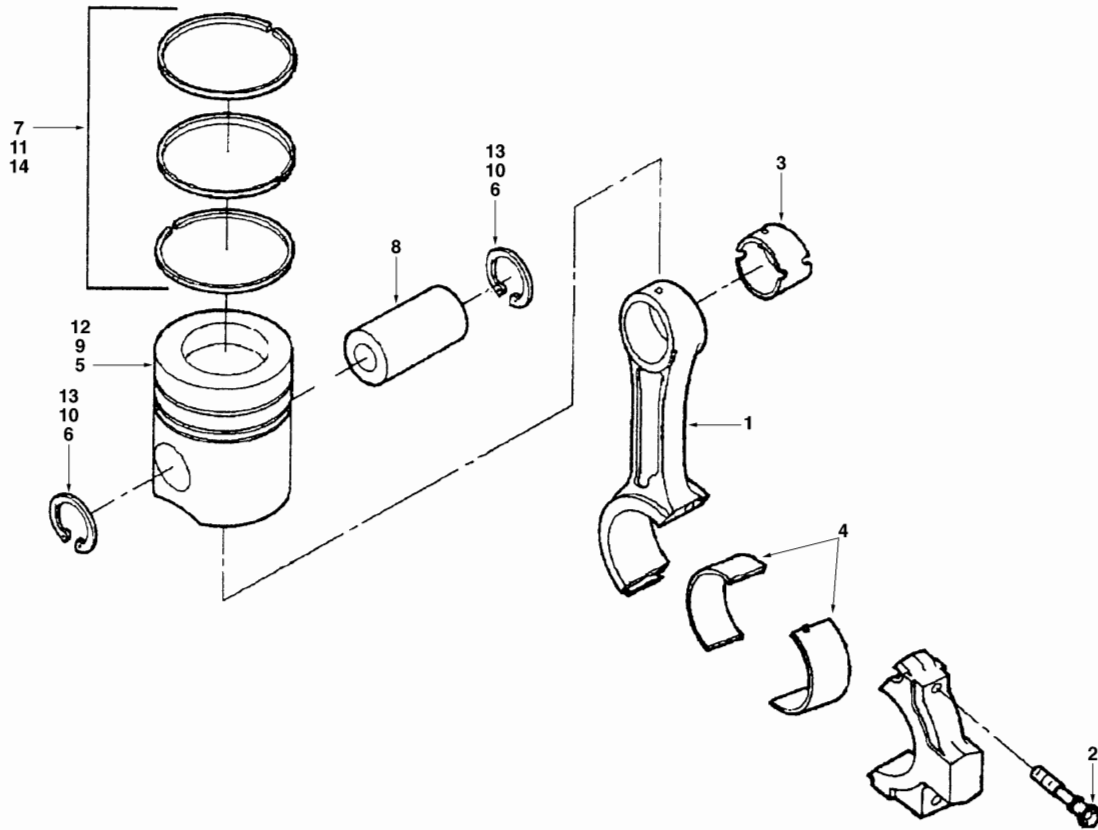
Pos	Part	Q1	Q2	Q3	Q4	Q5	PS	Kit	Description	Option(s)	Remark
1	SA3929093	1					CS		Plate		

Date: <b>8/6/2025</b>	Image id: <b>SO108</b>	Catalogue: <b>56126</b>	Model: <b>EC150</b>
Brand: <b>Volvo</b>	Serial: <b>3001-9999 -</b>	Group/Section: <b>212/500</b>	Title: <b>Lifting eye</b>



Pos	Part	Q1	Q2	Q3	Q4	Q5	PS	Kit	Description	Option(s)	Remark
1	SA3908118	1					CS		Bracket		
2	SA3910495	2					CS		Bolt		

Date: <b>8/6/2025</b>	Image id: <b>SO109</b>	Catalogue: <b>56126</b>	Model: <b>EC150</b>
Brand: <b>Volvo</b>	Serial: <b>3001-9999 -</b>	Group/Section: <b>213/100</b>	Title: <b>Connecting rod and piston</b>

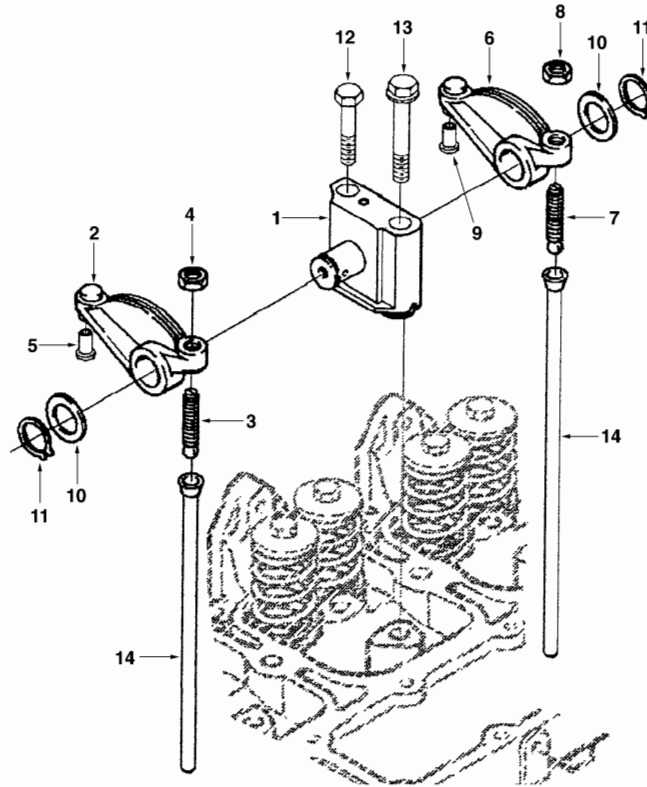


Volvo Construction  
Equipment  
SO109

Pos	Part	Q1	Q2	Q3	Q4	Q5	PS	Kit	Description	Option(s)	Remark
1	SA3942581	1					CS		Connecting Rod		
2	SA3900919	2					CS		•Screw		
3	SA3941476	1					CS		•Bushing		
4	SA3901170	2							Bearing		
	SA3901171	REQ					CS		Bearing		0.25MM OSZ
	SA3901172	REQ					CS		Bearing		0.50MM OSZ
	SA3901173	REQ					CS		Bearing		0.75MM OSZ
	SA3901174	REQ					CS		Bearing		1.00MM OSZ
5	SA3802747	4					CS		Piston		
6	SA3920691	2					CS		•Ring		SNAP
7	SA3802746	1					CS		•Piston ring kit		PISTON
8	SA3934047	4					CS		Pin		
9	SA3802764	4							Piston		0.50MM OSZ
10	SA3920691	2					CS		•Ring		SNAP
11	SA3802422	1					CS		•Ring		PISTON
12	SA3802765	4					CS		Piston		1.00MM OSZ

13	SA3920691	2					CS		•Ring		SNAP
14	SA3802423	1					CS		•Ring		PISTON

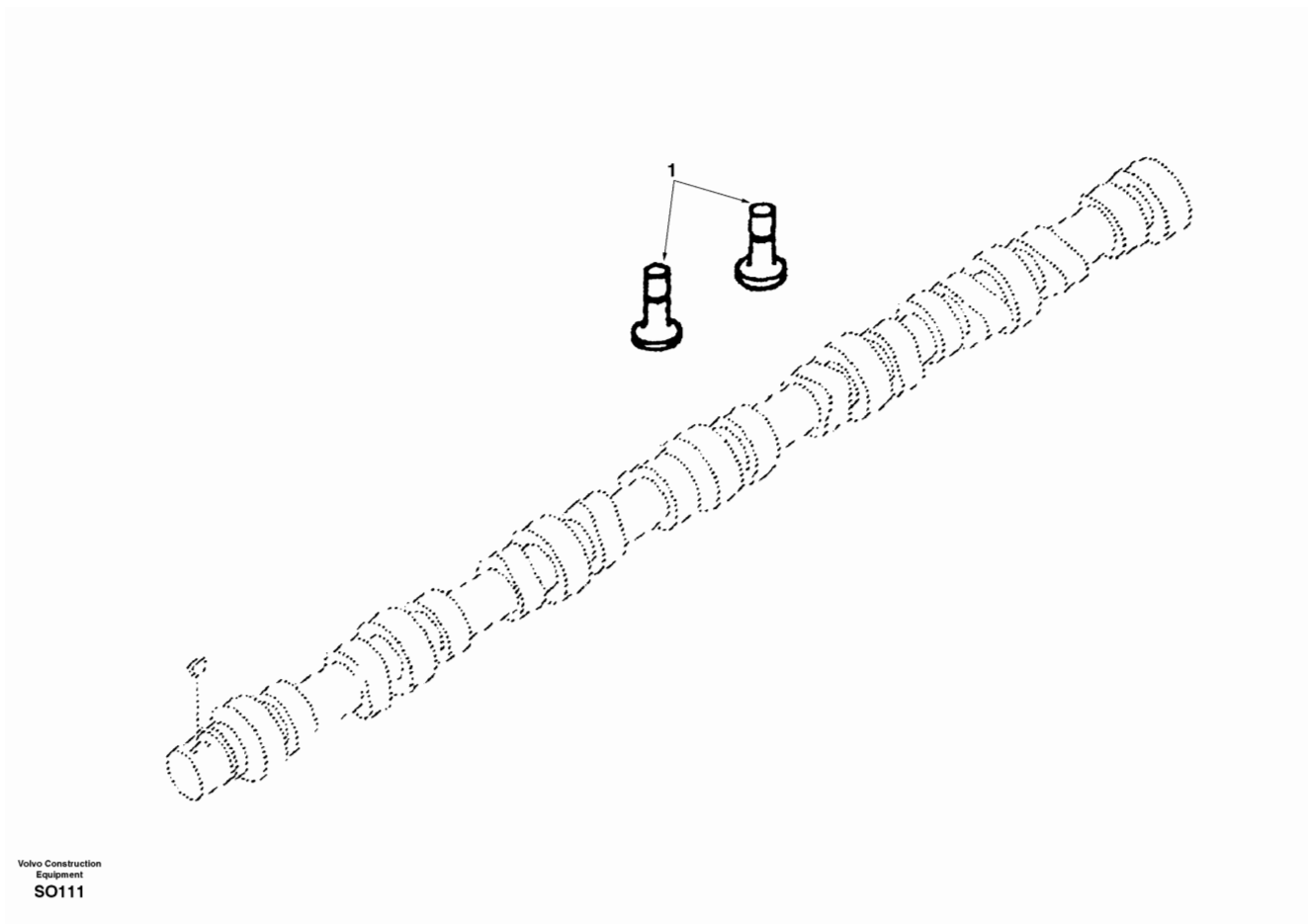
Date: <b>8/6/2025</b>	Image id: <b>SO110</b>	Catalogue: <b>56126</b>	Model: <b>EC150</b>
Brand: <b>Volvo</b>	Serial: <b>3001-9999 -</b>	Group/Section: <b>214/200</b>	Title: <b>Rocker arm</b>



Volvo Construction  
Equipment  
SO110

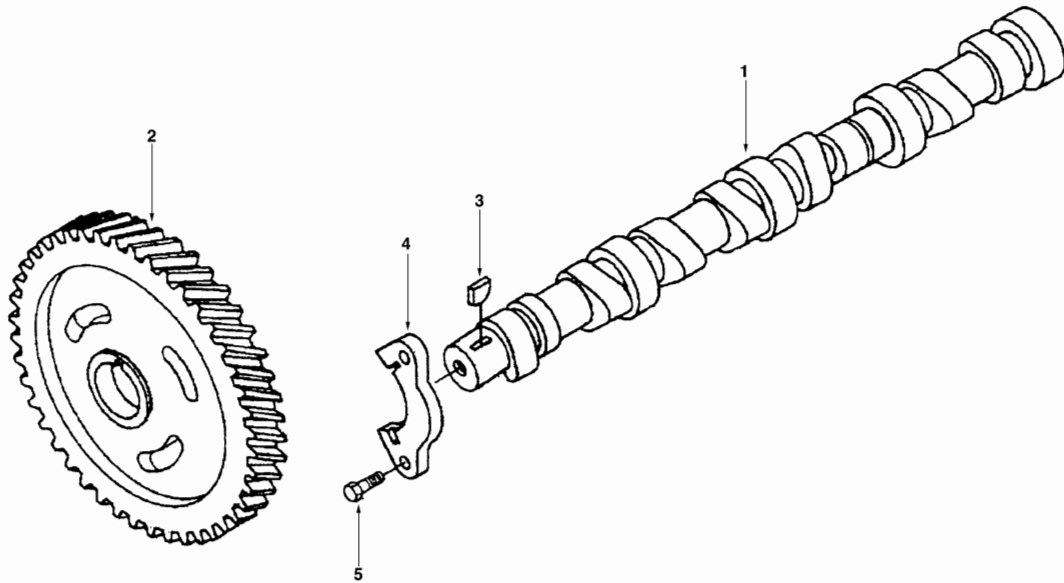
Pos	Part	Q1	Q2	Q3	Q4	Q5	PS	Kit	Description	Option(s)	Remark
1	SA3922488	4					CS		Support		
2	SA3910811	4					CS		Rocker Arm		
3	SA3934086	1					CS		•Screw		
4	SA3927692	1					CS		•Nut		
5		1					NS		•Insert		
6	SA3910810	4					CS		Rocker Arm		
7	SA3934086	1					CS		•Screw		
8	SA3927692	1					CS		•Nut		
9		1					NS		•Insert		
10	SA3900245	8					CS		Washer		
11	SA3900242	8					CS		Ring		
12	SA3901221	4					CS		Bolt		
13	SA3920781	4					CS		Bolt		
14	SA3284377	8					CS		Bar		

Date: <b>8/6/2025</b>	Image id: <b>SO111</b>	Catalogue: <b>56126</b>	Model: <b>EC150</b>
Brand: <b>Volvo</b>	Serial: <b>3001-9999 -</b>	Group/Section: <b>214/300</b>	Title: <b>Valve tappet</b>



Pos	Part	Q1	Q2	Q3	Q4	Q5	PS	Kit	Description	Option(s)	Remark
1	SA3931623	8					CS		Tappet		

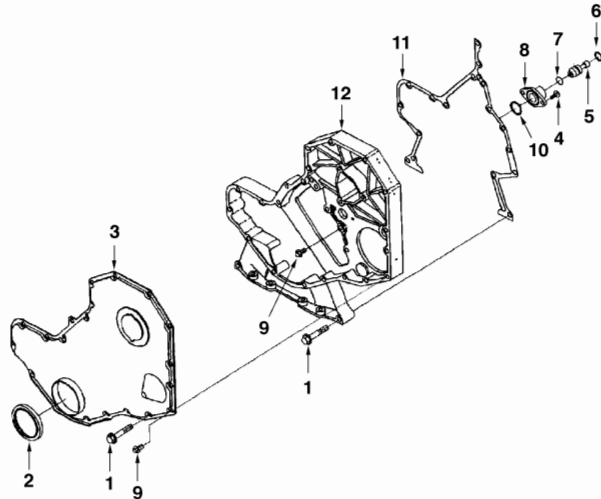
Date: <b>8/6/2025</b>	Image id: <b>SO112</b>	Catalogue: <b>56126</b>	Model: <b>EC150</b>
Brand: <b>Volvo</b>	Serial: <b>3001-9999 -</b>	Group/Section: <b>215/100</b>	Title: <b>Camshaft</b>



Volvo Construction  
Equipment  
SO112

Pos	Part	Q1	Q2	Q3	Q4	Q5	PS	Kit	Description	Option(s)	Remark
1	SA3929885	1					CS		Camshaft		
2	SA3929028	1					CS		Gear		
3	SA3902332	1					CS		Key		
4	SA3927155	1					CS		Support		
5	SA3900227	2					CS		Screw		

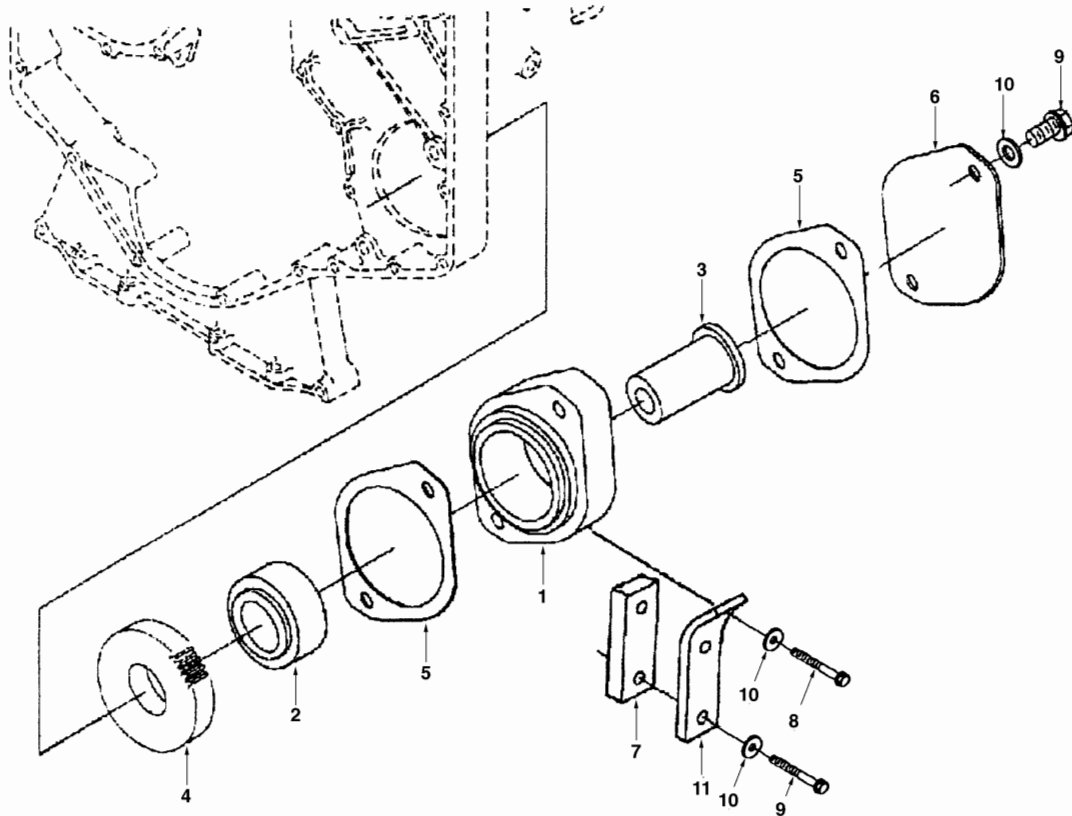
Date: <b>8/6/2025</b>	Image id: <b>SO113</b>	Catalogue: <b>56126</b>	Model: <b>EC150</b>
Brand: <b>Volvo</b>	Serial: <b>3001-9999 -</b>	Group/Section: <b>215/200</b>	Title: <b>Timing gear casing</b>



Volvo Construction  
Equipment  
SO113

Pos	Part	Q1	Q2	Q3	Q4	Q5	PS	Kit	Description	Option(s)	Remark
1	SA3900633	11					CS		Screw		
2	SA3935959	1					SS		Seal		
3	SA3935582	1					CS		Cover		
4	SA3907998	2					CS		Screw		
5	SA3903924	1							Pin		
6	SA3904849	1							Retaining ring		
7	VOE11716092	1					CS		Seal		(SA3913994)
8	SA3919683	1							Cover		
9	SA3924962	16					CS		Screw		
10	SA3915772	1					SS		Seal		
11	SA3931351	1					CS		Gasket		
12	SA3936257	1					CS		Cover		

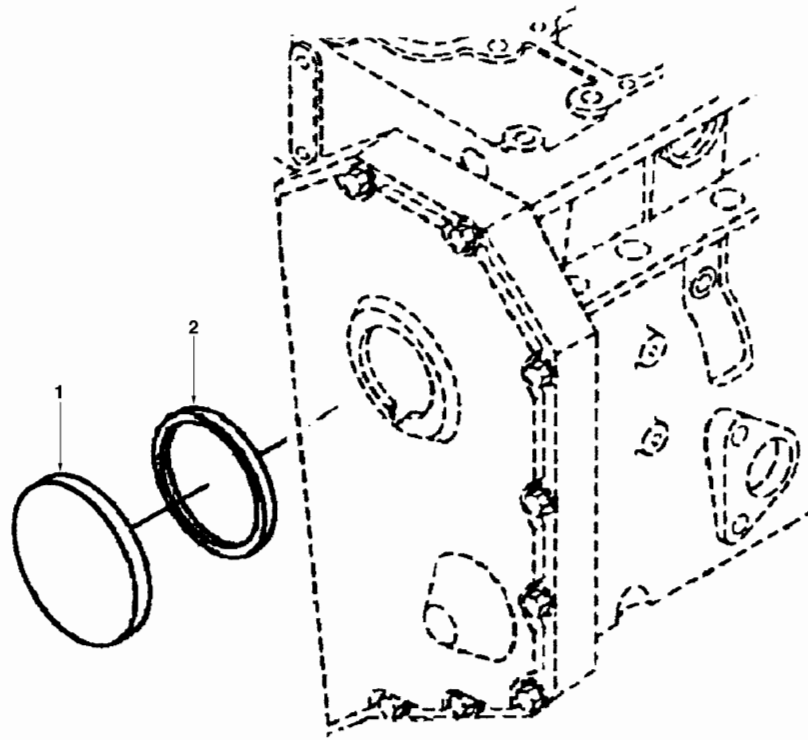
Date: <b>8/6/2025</b>	Image id: <b>SO114A</b>	Catalogue: <b>56126</b>	Model: <b>EC150</b>
Brand: <b>Volvo</b>	Serial: <b>3001-9999 -</b>	Group/Section: <b>215/300</b>	Title: <b>Pump drive power take-off</b>



Volvo Construction  
Equipment  
SO114A

Pos	Part	Q1	Q2	Q3	Q4	Q5	PS	Kit	Description	Option(s)	Remark
1	SA3923319	1					SS		Drive Unit		
	SA3923237	1					SS		•Adapter		
2	SA3902601	1					CS		•Roller bearing		
3	SA3923242	1					CS		•Shaft		
4	SA3928860	1					SS		•Gear		
5	SA3008400	2					CS		Gasket		
6	SA3914868	1					CS		Plate		
7	SA1112-00550	1							Plate		
8	VOE991625	1							Hexagon screw		(SA9011-11205)
9	SA9011-21213	4					SS		Bolt		
10	VOE60110297	5							Washer		(SA9211-12000)
11	SA3931825	1					CS		Brace		

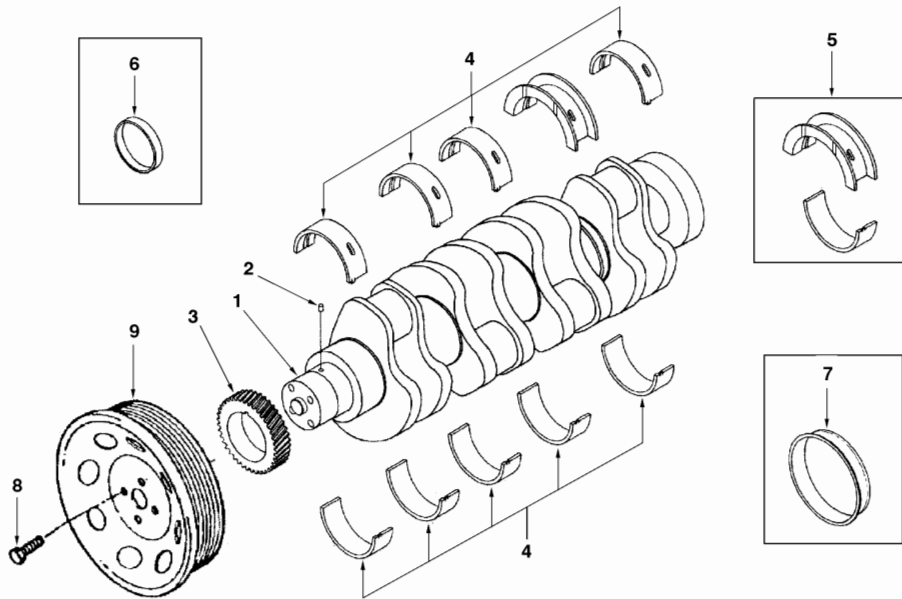
Date: <b>8/6/2025</b>	Image id: <b>SO115</b>	Catalogue: <b>56126</b>	Model: <b>EC150</b>
Brand: <b>Volvo</b>	Serial: <b>3001-9999 -</b>	Group/Section: <b>215/500</b>	Title: <b>Tachometer drive cover</b>



Volvo Construction  
Equipment  
SO115

Pos	Part	Q1	Q2	Q3	Q4	Q5	PS	Kit	Description	Option(s)	Remark
1	SA3903463	1							Cover		
2	SA3903475	1					SS		Seal		

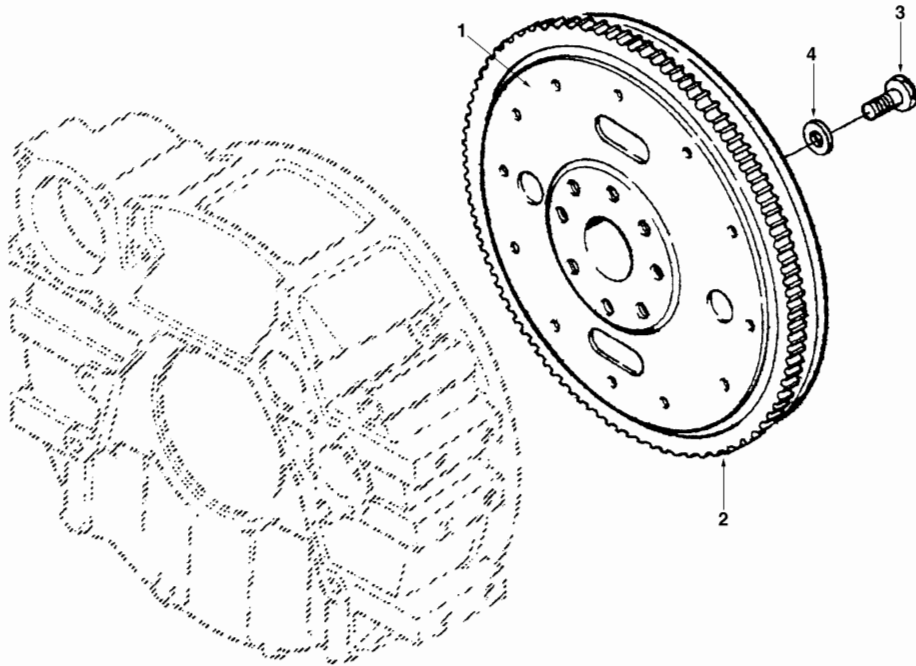
Date: <b>8/6/2025</b>	Image id: <b>SO116A</b>	Catalogue: <b>56126</b>	Model: <b>EC150</b>
Brand: <b>Volvo</b>	Serial: <b>3001-9999 -</b>	Group/Section: <b>216/100</b>	Title: <b>Crankshaft</b>



Volvo Construction  
Equipment  
SO116A

Pos	Part	Q1	Q2	Q3	Q4	Q5	PS	Kit	Description	Option(s)	Remark
1	SA3908031	1					CS		Crankshaft		
2	SA3904483	1					CS		•Locating pin		
3	SA3929027	1					CS		•Gear		
4	SA3802010	1					CS		Bearing		SET
	SA3802011	1					CS		Bearing		0.25MM OSZ, SET
	SA3802012	1					CS		Bearing		0.50MM OSZ, SET
	SA3802013	1					CS		Bearing		0.75MM OSZ, SET
	SA3802014	1					CS		Bearing		1.00MM OSZ, SET
5	SA3802082	1					SS		Bearing		0.50MM OSZ, BORE/ THRUST
	SA3800331	1					CS		Bearing		(SA3802084)1.00MM OSZ, BORE/THRUST
6	SA3906080	1					SS		Sleeve		FRONT
7	SA3906081	1					SS		Sleeve		REAR
8	SA3914494	1					CS		Pulley		
9	SA3903857	4					CS		Screw		

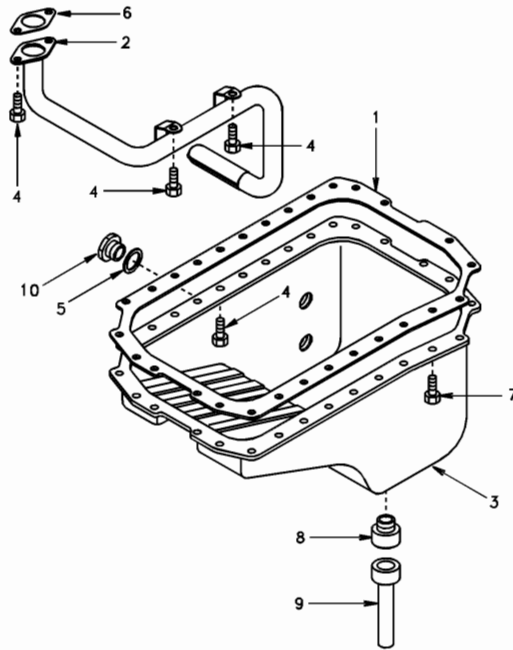
Date: <b>8/6/2025</b>	Image id: <b>SO117</b>	Catalogue: <b>56126</b>	Model: <b>EC150</b>
Brand: <b>Volvo</b>	Serial: <b>3001-9999 -</b>	Group/Section: <b>216/200</b>	Title: <b>Flywheel</b>



Volvo Construction  
Equipment  
SO117

Pos	Part	Q1	Q2	Q3	Q4	Q5	PS	Kit	Description	Option(s)	Remark
1	SA3283105	1					CS		Flywheel		
2	VOE11716058	1							•Flywheel		(SA3901774)
3	SA3901395	8					CS		Screw		
4	SA3900269	8							Washer		

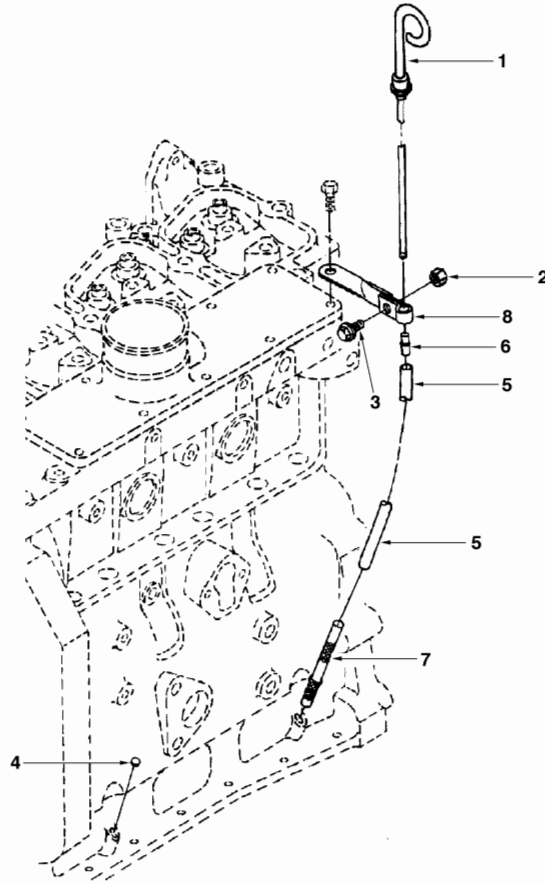
Date: <b>8/6/2025</b>	Image id: <b>SO118</b>	Catalogue: <b>56126</b>	Model: <b>EC150</b>
Brand: <b>Volvo</b>	Serial: <b>3001-9999 -</b>	Group/Section: <b>217/100</b>	Title: <b>Oil sump</b>



Volvo Construction  
Equipment  
SO118

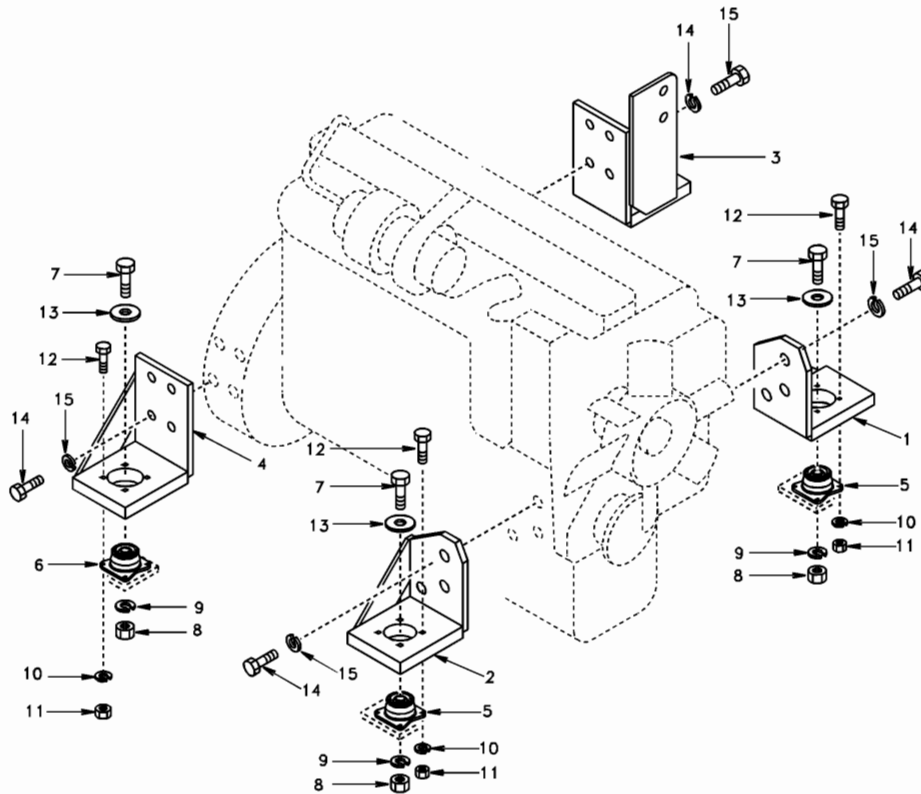
Pos	Part	Q1	Q2	Q3	Q4	Q5	PS	Kit	Description	Option(s)	Remark
1	SA3931602	1					SS		Gasket		
2	SA3283530	1					CS		Connector		
3	SA3863222	1					CS		Oil pan		
4	SA3900630	6					CS		Screw		
5	VOE11716074	1							Washer		(SA3902425)
6	SA3931349	1					CS		Gasket		
7	SA3907860	28					CS		Screw		
8	SA3283696	1					SS		Valve		
9	SA3282945	1					CS		Adapter		
10	SA3282266	1					CS		Plug		

Date: <b>8/6/2025</b>	Image id: <b>SO119</b>	Catalogue: <b>56126</b>	Model: <b>EC150</b>
Brand: <b>Volvo</b>	Serial: <b>3001-9999 -</b>	Group/Section: <b>217/200</b>	Title: <b>Oil dipstick</b>



Pos	Part	Q1	Q2	Q3	Q4	Q5	PS	Kit	Description	Option(s)	Remark
1	SA3932442	1					CS		Dipstick		
2	SA3900240	1					CS		Nut		
3	SA3925883	1							Bolt		
4	SA3900955	2							Plug		
5	SA3917314	1					CS		Pipe		
6	SA3905802	1					CS		End		
7	SA3908308	1					CS		Pipe		
8	SA3920495	1					CS		Brace		

Date: <b>8/6/2025</b>	Image id: <b>SO120</b>	Catalogue: <b>56126</b>	Model: <b>EC150</b>
Brand: <b>Volvo</b>	Serial: <b>3001-9999 -</b>	Group/Section: <b>218/100</b>	Title: <b>Engine mount</b>

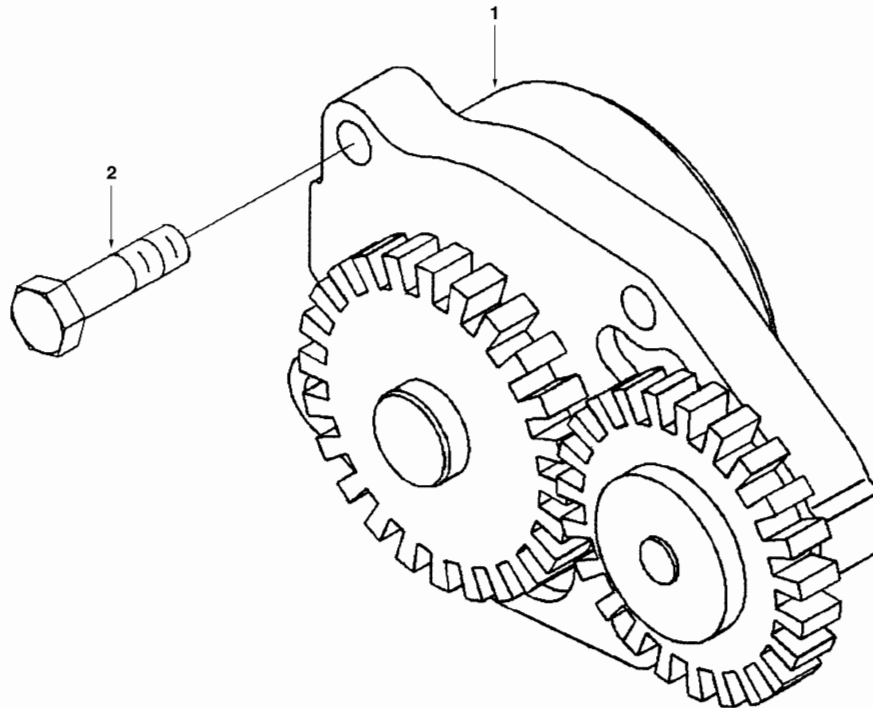


Volvo Construction  
Equipment  
SO120

Pos	Part	Q1	Q2	Q3	Q4	Q5	PS	Kit	Description	Option(s)	Remark
1	SA1112-00361	1					CS		Bracket		FRONT LH
2	SA1112-00371	1					CS		Bracket		FRONT RH
3	SA1112-00740	1					CS		Bracket		REAR LH
4	SA1112-00750	1					CS		Bracket		REAR RH
5	SA1112-00560	2							Rubber bushing		FRONT
6	VOE14603125	2							Cushion		(SA1112-00330)REAR
7	SA9011-21619	4					SS		Bolt		SER NO 3001-3172
	VOE997468	4							Hexagon screw		(VOE980465)SER NO 3173-
8	SA9131-11600	4							Lock nut		
9	SA9211-16000	4					SS		Washer		
10	SA9213-10000	16					SS		Spring washer		SER NO 3001-3172
	VOE955923	16							Spring washer		SER NO 3173-
11	SA9111-11000	16					SS		Nut		SER NO 3001-3172
	VOE983304	16							Hexagon nut		SER NO 3173-
12	VOE993025	16							Hexagon screw		(SA9011-11007)

13	SA1112-00830	4							Plate		
14	VOE997953	14							Hexagon screw		(SA9011-11207)
15	SA9213-12000	14					SS		Spring washer		SER NO 3001-3172
	VOE955923	14							Spring washer		SER NO 3173-

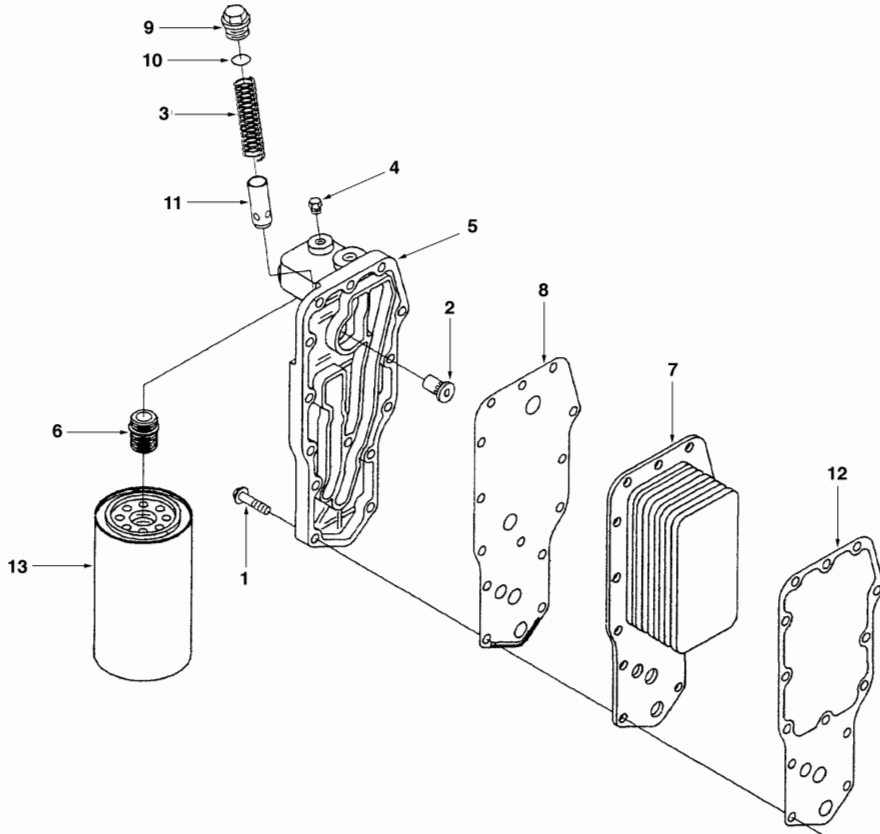
Date: <b>8/6/2025</b>	Image id: <b>SO121</b>	Catalogue: <b>56126</b>	Model: <b>EC150</b>
Brand: <b>Volvo</b>	Serial: <b>3001-9999 -</b>	Group/Section: <b>221/100</b>	Title: <b>Oil pump</b>



Volvo Construction  
Equipment  
SO121

Pos	Part	Q1	Q2	Q3	Q4	Q5	PS	Kit	Description	Option(s)	Remark
1	SA3930336	1					CS		Engine Oil Pump		
2	SA3900677	4					CS		Screw		

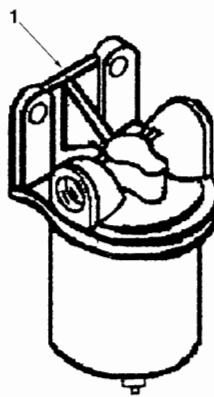
Date: <b>8/6/2025</b>	Image id: <b>SO122</b>	Catalogue: <b>56126</b>	Model: <b>EC150</b>
Brand: <b>Volvo</b>	Serial: <b>3001-9999 -</b>	Group/Section: <b>223/100</b>	Title: <b>Oil cooler</b>



Volvo Construction  
Equipment  
SO122

Pos	Part	Q1	Q2	Q3	Q4	Q5	PS	Kit	Description	Option(s)	Remark
1	SA3900632	14					CS		Screw		
2	SA3936365	1					CS		Valve		
3	SA3925009	1					CS		Spring		
4	SA3906619	1					CS		Plug		
5	SA3918954	1					CS		Head		
6	SA3909355	1					CS		•Adapter		
7	SA3921557	1					CS		Radiator Core		
8	SA3942915	1					CS		Gasket		
9	SA3915787	1					CS		Plug		
10	SA3929457	1					CS		Seal		
11	SA3918428	1					CS		Control plunger		
12	SA4932124	1					CS		Gasket		(SA3942914)
13	VOE14503447	1							Oil filter		

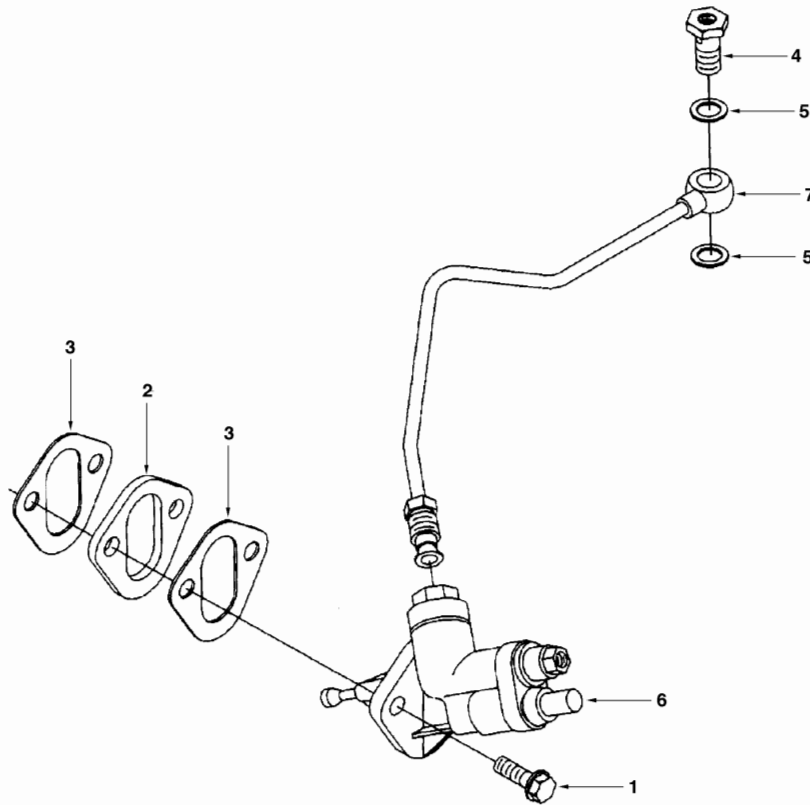
Date: <b>8/6/2025</b>	Image id: <b>SO123</b>	Catalogue: <b>56126</b>	Model: <b>EC150</b>
Brand: <b>Volvo</b>	Serial: <b>3001-9999 -</b>	Group/Section: <b>233/100</b>	Title: <b>Water separator</b>



Volvo Construction  
Equipment  
SO123

Pos	Part	Q1	Q2	Q3	Q4	Q5	PS	Kit	Description	Option(s)	Remark
1	SA3908607	1					CS		Water separator		

Date: <b>8/6/2025</b>	Image id: <b>SO124</b>	Catalogue: <b>56126</b>	Model: <b>EC150</b>
Brand: <b>Volvo</b>	Serial: <b>3001-9999 -</b>	Group/Section: <b>233/200</b>	Title: <b>Fuel feed pump</b>



Volvo Construction  
Equipment  
SO124

Pos	Part	Q1	Q2	Q3	Q4	Q5	PS	Kit	Description	Option(s)	Remark
1	VOE11716070	2							Screw		(SA3900631)
2	VOE11716088	1							Spacer		(SA3914284)
3	SA3931059	2					SS		Gasket		
4	SA3916361	1							Banjo fitting		
5	SA3935171	2							Sealing washer		
6	VOE11716107	1							Feed pump		(SA3936318)
7	SA3917280	1					CS		Fuel pipe		