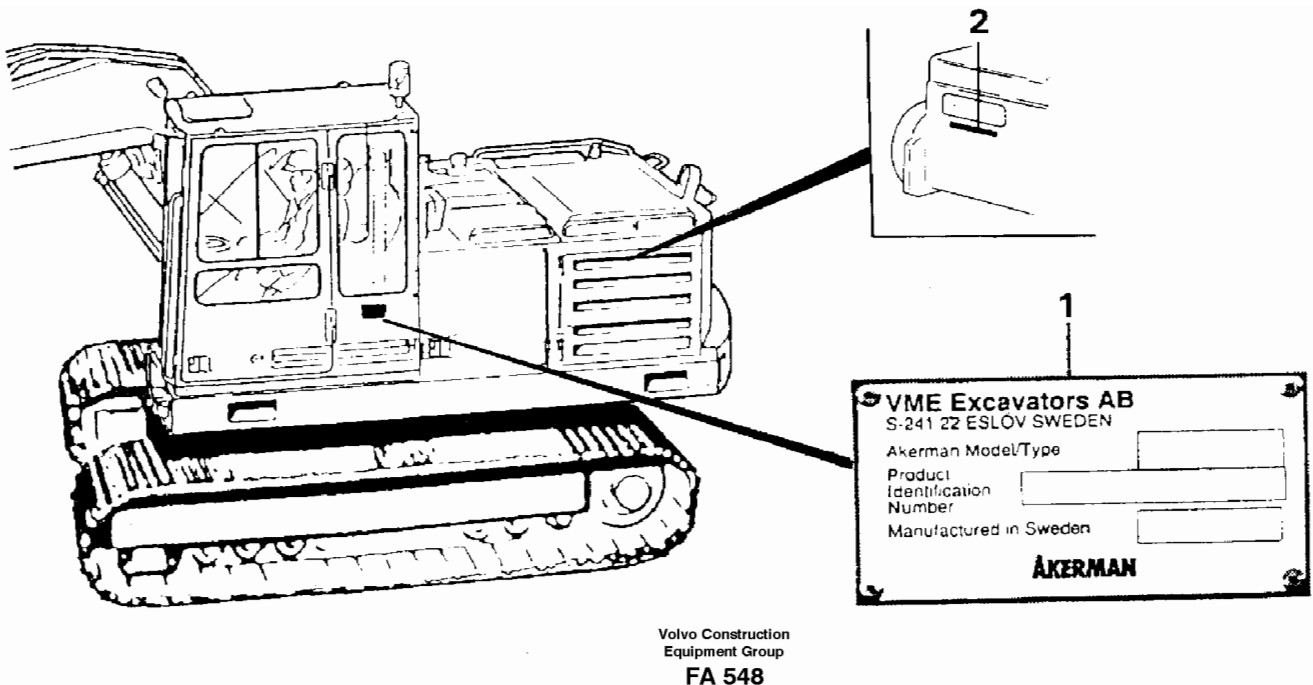
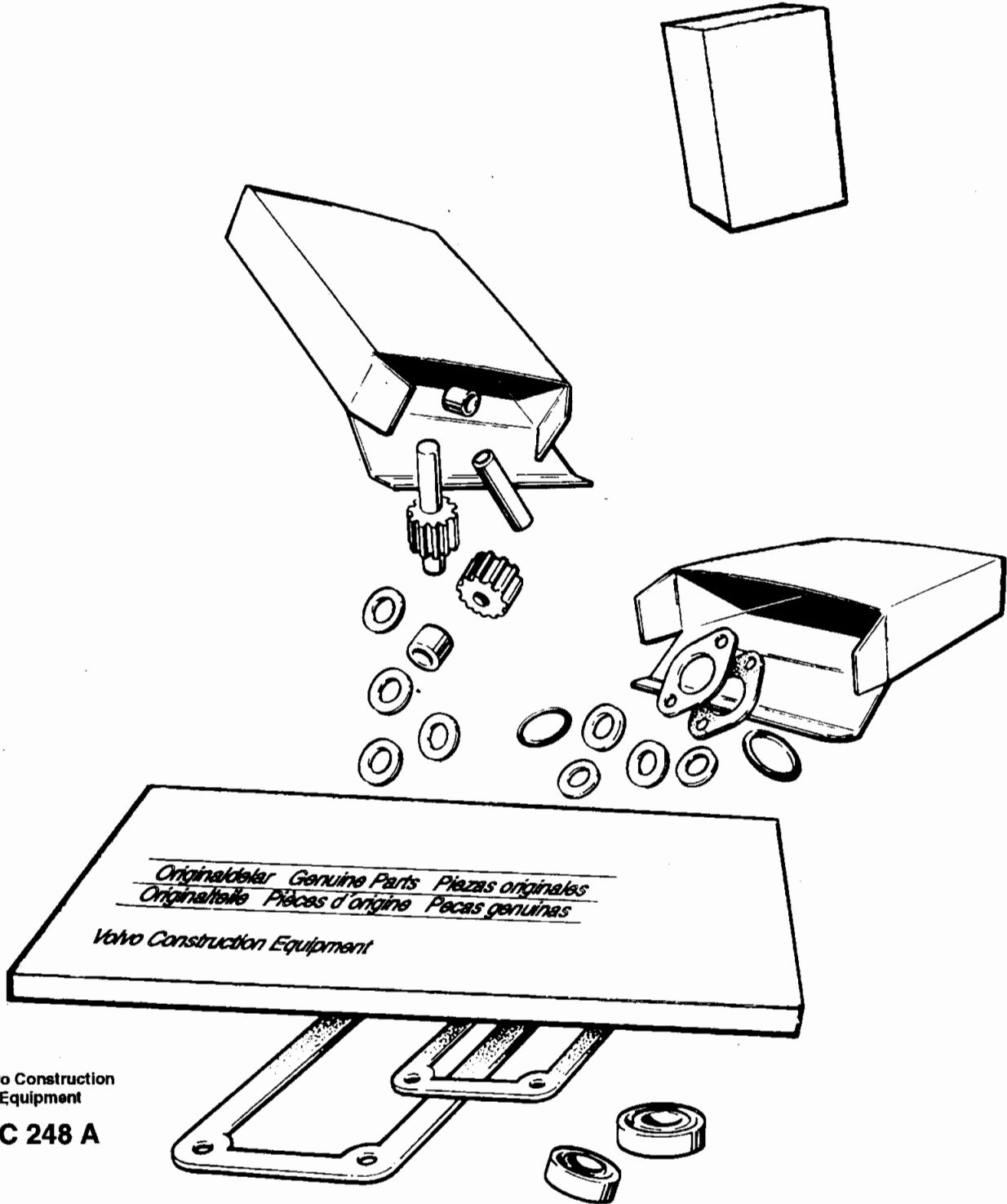


Date: 8/6/2025	Image id: FA548	Catalogue: 99511	Model: EC150
Brand: Åkerman	Serial: 1-129	Group/Section: 030/100	Title: Product identification plate



Pos	Part	Q1	Q2	Q3	Q4	Q5	PS	Kit	Description	Option(s)	Remark
1									Product sign plate		
2									Engine sign plate		

Date: 8/6/2025	Image id: FC248A	Catalogue: 99511	Model: EC150
Brand: Åkerman	Serial: 1-129	Group/Section: 210/50	Title: Gasket kits for engine

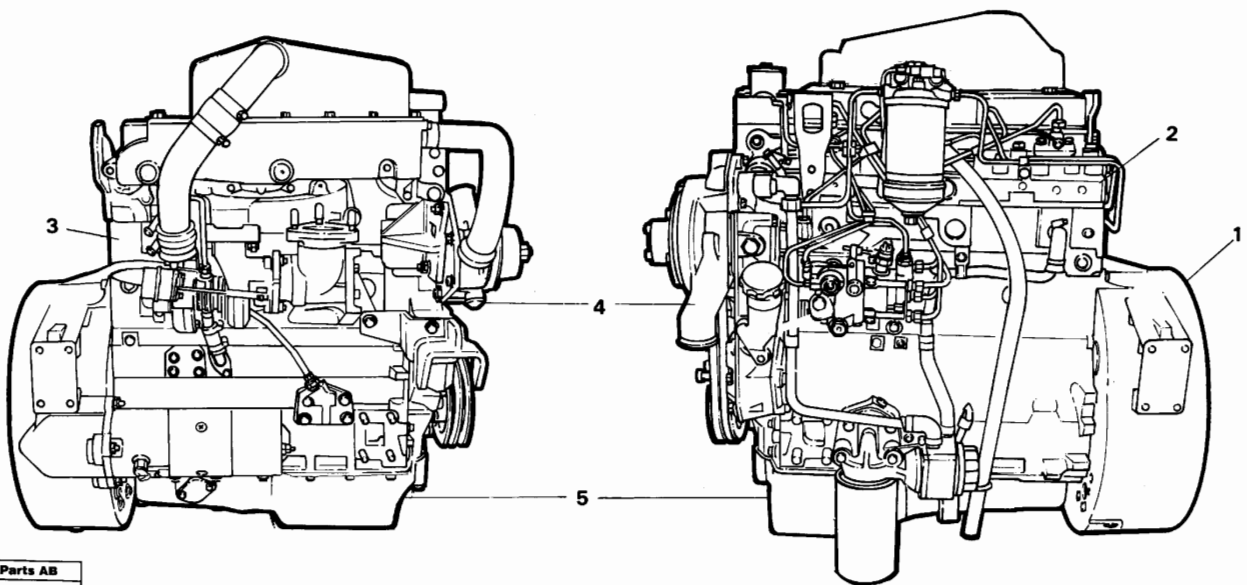
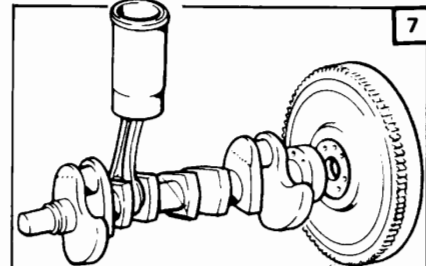
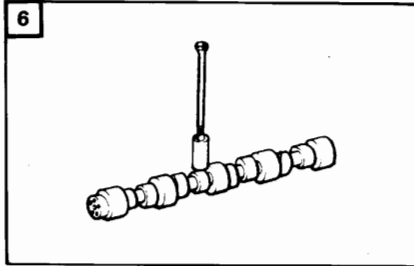


Pos	Part	Q1	Q2	Q3	Q4	Q5	PS	Kit	Description	Option(s)	Remark
	VOE11998153	1					CS		Gasket kit		
									•For upper engine part		

	VOE3976803	1							•Gasket		(VOE11997847)
	VOE11998155	1							•Gasket		
	VOE11998156	1							•Gasket		
	VOE11998047	1							•Gasket		
	VOE11998092	1							•Gasket		
	VOE11998091	1							•Gasket		
	VOE11998093	1							•Gasket		
	VOE11998073	2							•Gasket		
	VOE11998054	1							•Gasket		
	VOE11998095	1							•Gasket		
	VOE11998157	1							•Gasket		
	VOE6613552	4							•Washer		
	VOE11998086	1							•Gasket		
	VOE11998084	1							•Gasket		
	VOE11998082	1							•Gasket		
	VOE11998159	1							•Gasket		
	VOE11998159	1							•Gasket		(VOE11998160)
	VOE484071	8							•Seal		
	VOE483510	10							•Sealing ring		(VOE7483510)
	VOE11997927	4					SS		•Sealing ring		
	VOE11998154						CS		Gasket kit		
									•For lower engine part		
	VOE11999216	1					CS		•Gasket		
	VOE11997979	1							•Gasket		
	VOE11997058	1					CS		•Gasket		(VOE11998161)
	VOE11711203	1							•Gasket		(VOE11997879)
	VOE11988378	1							•Gasket		(VOE11997888)
	VOE11706327	1							•Gasket		(VOE11998162)
	VOE11997997	1							•Gasket		(VOE11999476)
	VOE11998009	1							•Gasket		(VOE11998163)
	VOE11998164	1							•Gasket		
	VOE11700965	1							•Gasket		(VOE11998123)
	VOE11998040	1							•Gasket		
	VOE11707553	1							•Gasket		(VOE11998165)
	VOE11998166	1							•Gasket		
	VOE11998050	1							•Gasket		
	VOE11998167	1							•Gasket		
	VOE11998168	1							•Gasket		
	VOE11998169	1							•Gasket		
	VOE949658	1							•O-ring		(VOE11998170)
	VOE944126	1							•O-ring		(VOE11998171)
	VOE11707623	1							•O-ring		(VOE11998042)
	VOE11706038	2					CS		•Seal		(VOE7483309)
		1							Big end brg kit		See ref 216/100

		1							Mn bearing kit		See ref 216/100
	VOE483336	1							Thrust washer		(VOE7483336) See ref 216/100

Date: 8/6/2025	Image id: FC317	Catalogue: 99511	Model: EC150
Brand: Åkerman	Serial: 1-129	Group/Section: 210/100	Title: Engine TD40KC



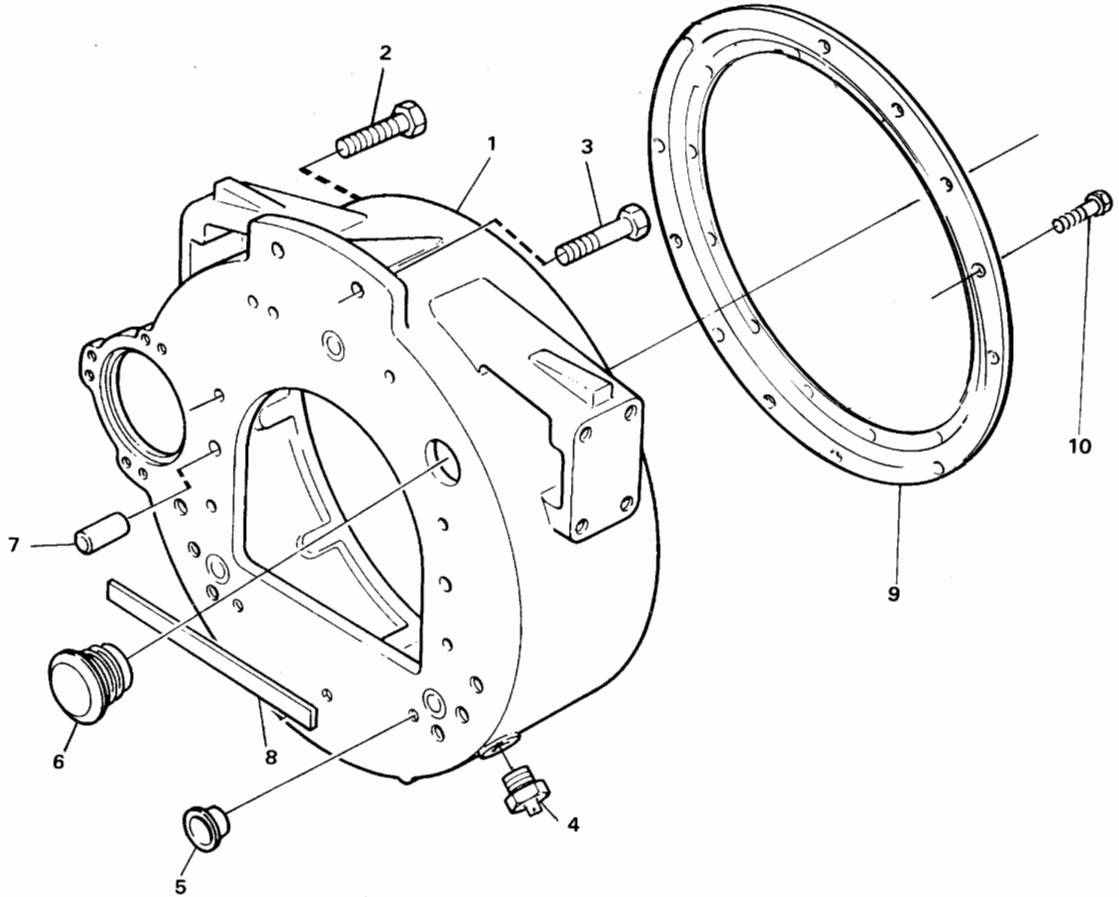
VME Parts AB
FC317
PRINTED IN SWEDEN

Section option	Kit	Option description
VOE14216019		Engine Td40kc

Q1-Q5	Option	Option description	
Q1 14216019	VOE14216019	Engine Td40kc	

Pos	Part	Q1	Q2	Q3	Q4	Q5	PS	Kit	Description	Option(s)	Remark
	VOE14216019	1					CS		Engine		TD40KC STD EC150 SER NO - 129, REMAN VOE9014216019
1		1							•Flywheel housing		See ref 210/200
2		1							•Cylinder head		See ref 211/100
3		1							•Cylinder block		See ref 212/50
4		1							•Water pump		See ref 262/100
5		1							•Oil sump		See ref 217/100
6		1							•Camshaft		See ref 215/150
7		1							•Crankshaft		See ref 216/100

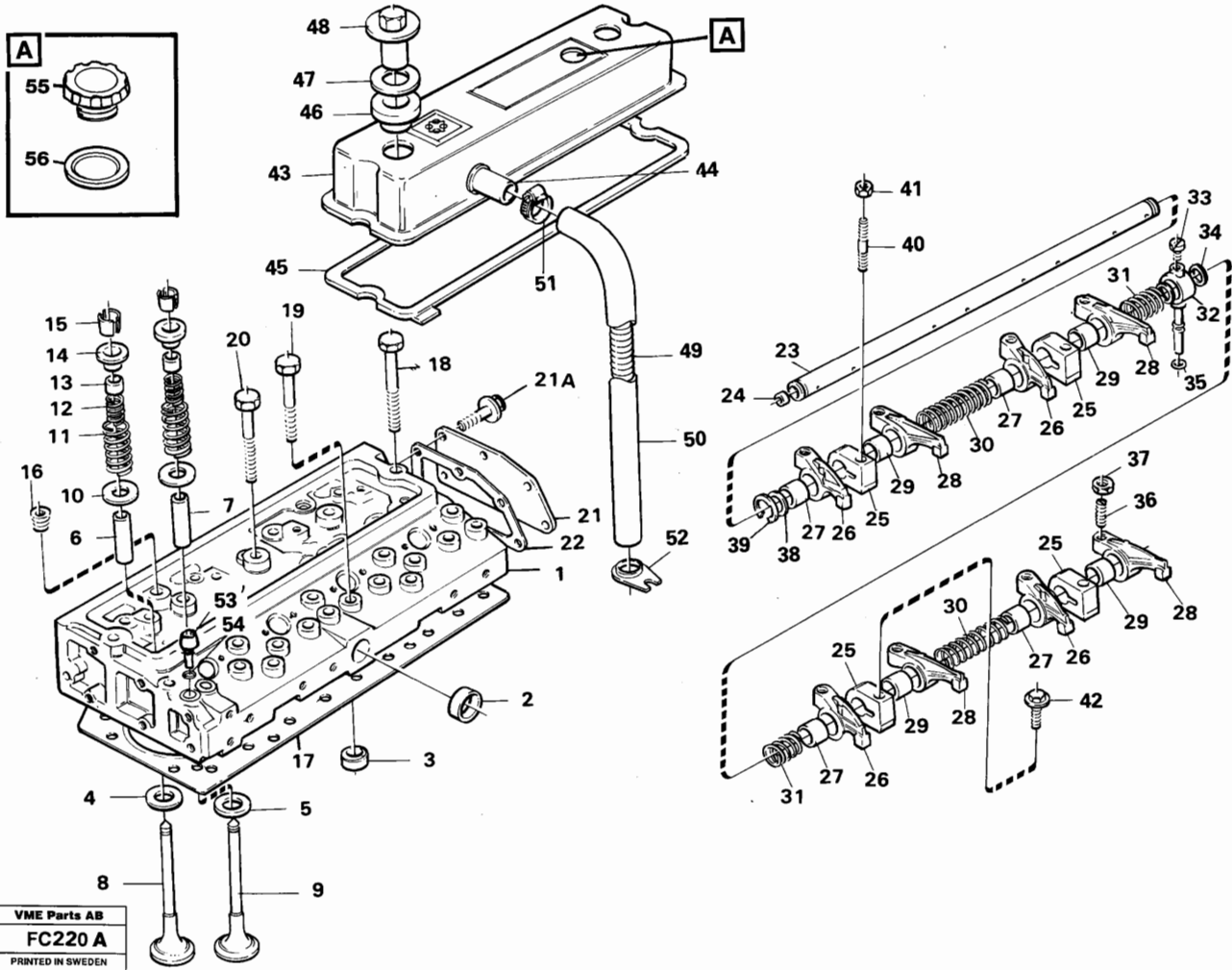
Date: 8/6/2025	Image id: FC228	Catalogue: 99511	Model: EC150
Brand: Åkerman	Serial: 1-129	Group/Section: 210/200	Title: Flywheel housing



VME Parts AB
FC 228
PRINTED IN SWEDEN

Pos	Part	Q1	Q2	Q3	Q4	Q5	PS	Kit	Description	Option(s)	Remark
1	VOE11997942	1					SS		Flywheel housing		
2	VOE990861	6							Flange screw		(VOE946472)
3	VOE13965191	2							Screw		(VOE11997884)
4	VOE11039362	1					CS		Induction sensor		Motorvarvtal/ engine idlingspeed
5	VOE11997935	1					CS		Plug		
6	VOE11997943	1					CS		Plug		
7	VOE483449	2							Pin		(VOE7483449)
8	VOE6211401	1							Gasket		(VOE11702569)
9	VOE11997258	1					CS		Adapter ring		
10	VOE60113093	12							Flange screw		(VOE946329)

Date: 8/6/2025	Image id: FC220A	Catalogue: 99511	Model: EC150
Brand: Åkerman	Serial: 1-129	Group/Section: 211/100	Title: Cylinder head

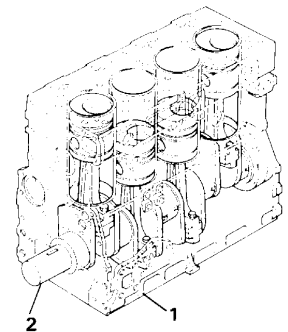
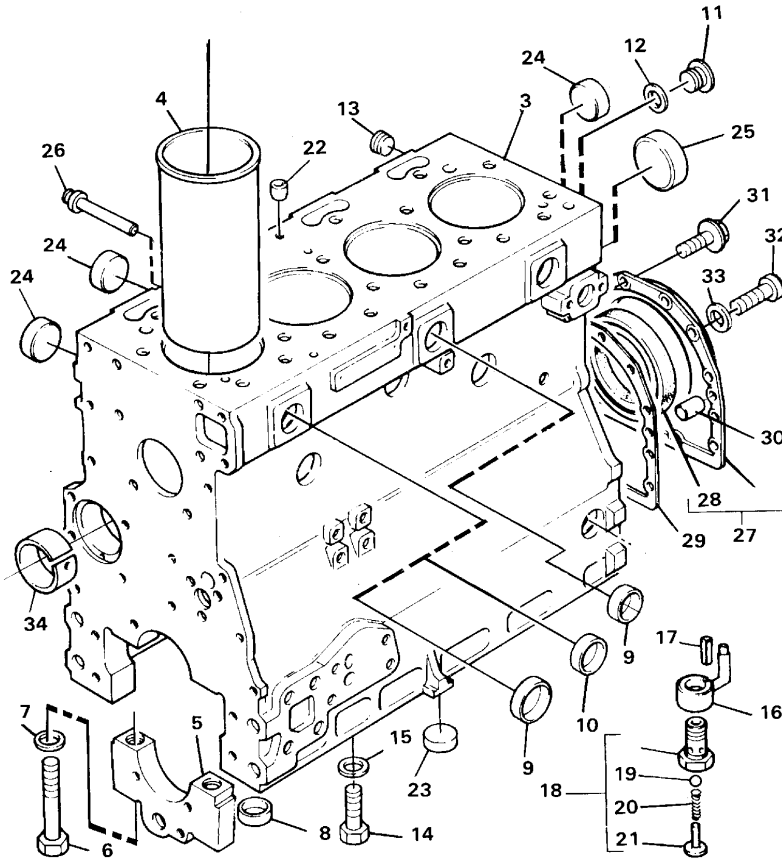


Pos	Part	Q1	Q2	Q3	Q4	Q5	PS	Kit	Description	Option(s)	Remark
	VOE11999007	1					SS		Cylinder head		
1		1					NS		•Cylinder head		
2	VOE483898	1					CS		•Plug		
3	VOE11997836	4					CS		•Plug		
4	VOE11997016	4							•Valve seat		Insug/Inlet
5	VOE11997017	4					CS		•Valve seat		Avgas/Exhaust
6	VOE11705294	4					CS		•Valve guide		(VOE11999009)Inlet/ Insug
7	VOE11705753	4							•Valve guide		(VOE11997842)Avgas/ Exhaust
8	VOE11997018	4							•Inlet valve		
9	VOE11997841	4							•Exhaust valve		
10	VOE6642514	8					CS		•Washer		
11	VOE11991724	8					CS		•Spring		

12	VOE11991725	8							•Spring		
13	VOE484071	8							•Seal		
14	VOE11991726	8					CS		•Spring plate		
15	VOE483530	16							•Valve sleeve		(VOE7483530)
16	VOE11997843	4							•Plug		
17	VOE3976803	1							Gasket		(VOE11997847)
18	VOE11997844	2					CS		Screw		
19	VOE11997845	8							Bolt		
20	VOE11997846	12							Bolt		
21	VOE11998044	1					CS		Plate		
21A	VOE984733	3							Flange screw		(VOE946440)
22	VOE11998156	1							Gasket		(VOE11998045)
	VOE11997849	1					SS		Rocker arm kit		
23	VOE483361	1					CS		•Rocker arm shaft		
24	VOE6613201	2					CS		••Plug		
25	VOE11997850	4					CS		•Bearing bracket		
26	VOE11997851	4					SS		•Rocker arm		
27	VOE11998104	4					CS		••Bushing		
28	VOE11994053	4					SS		•Rocker arm		
29	VOE11998104	4					CS		••Bushing		
30	VOE483363	2							•Spring		(VOE7483363)
31	VOE483364	2							•Spring		(VOE7483364)
32	VOE11997853	1					CS		•Pipe		
33	VOE11997854	1					CS		•Screw		
34	VOE11997855	2					CS		•Shim		
35	VOE483510	1							•Sealing ring		(VOE7483510)
36	VOE3976859	8							•Stud		(VOE6616717)
37	VOE940175	8							•Nut		
38	VOE11997856	2					CS		•Washer		
39	VOE483470	2							•Lock ring		(VOE7483470)
40	VOE11997857	3					CS		Stud		
41	VOE60113142	3							Flange nut		(VOE13971096)
42	VOE11997858	1							Screw		
43	VOE11701709	1					CS		Valve cover		ENG 28/2-94
	VOE11701710	1					CS		Valve cover		ENG 1/3-94
44	VOE11997990	1					CS		•Connector		
45	VOE11701586	1							Gasket		(VOE11998000)
46	VOE11997049	3							Sealing ring		
47	VOE11998003	3					CS		Shim		
48	VOE11998001	3					SS		Nut		
49	VOE11997992	1					CS		Spring		
50	VOE11997991	1					CS		Pipe		
51	VOE13943474	1							Hose clamp		(VOE11997993)
52	VOE11997994	1							Bracket		
53	VOE11039194	1							Temperature sensor		
54	VOE13947622	1							Plane gasket		
55	VOE11701692	1					CS		Cover		(VOE11701587)ENG

										28/2-94
	VOE11997998	1					CS		Cap	1/3-94
56	VOE11701588	1					CS		O-ring	ENG 28/2-94
	VOE11997999	1					CS		Sealing ring	ENG 1/3-94

Date: 8/6/2025	Image id: FC218	Catalogue: 99511	Model: EC150
Brand: Åkerman	Serial: 1-129	Group/Section: 212/50	Title: Cylinder block

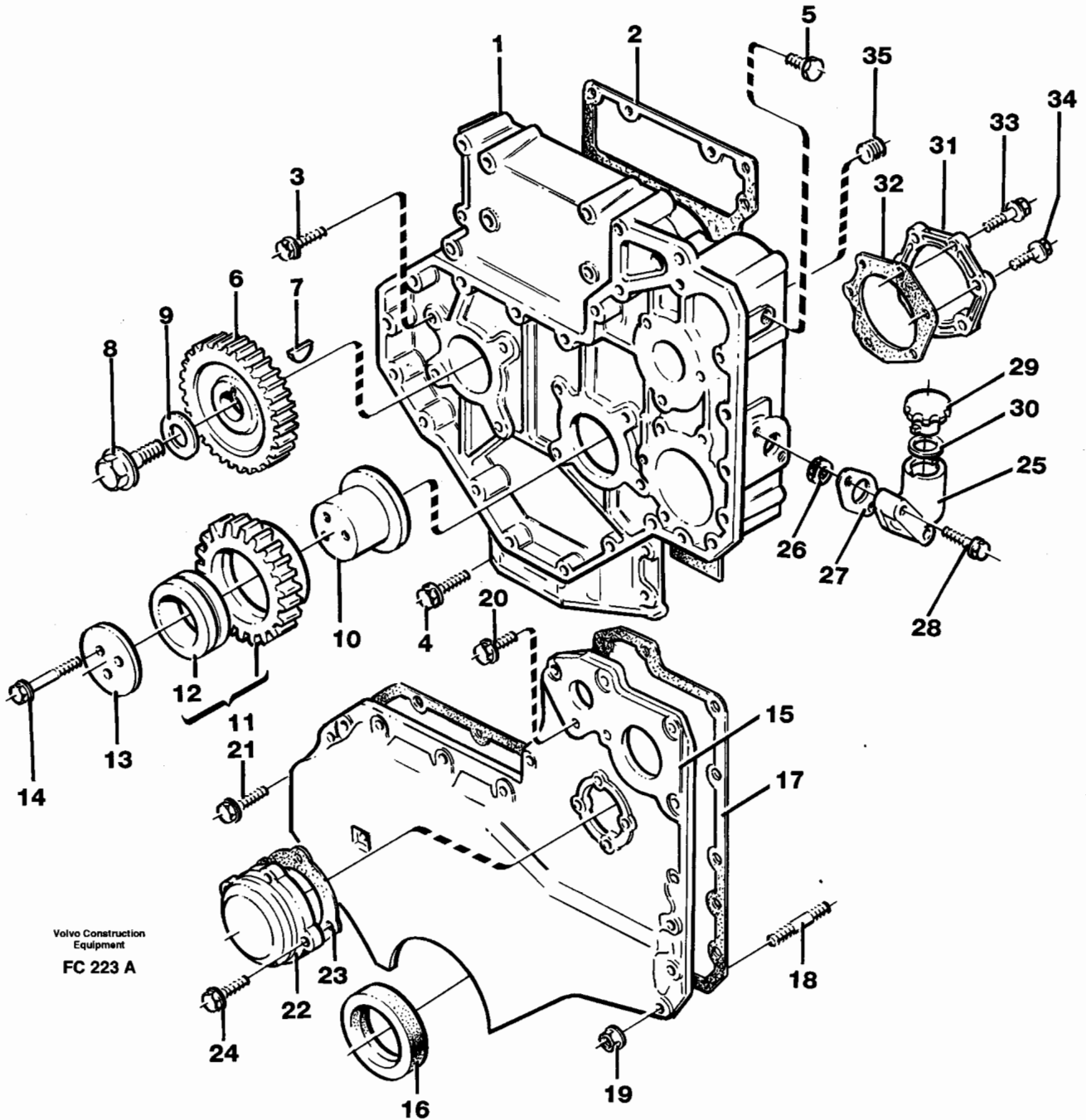


VME Parts AB
FC 218
PRINTED IN SWEDEN

Pos	Part	Q1	Q2	Q3	Q4	Q5	PS	Kit	Description	Option(s)	Remark
1	VOE11999179	1					CS		Shortblock		
2		1							•Crankshaft		See ref 216/100
3	VOE11701694	1					CS		•Cylinder block		
4		4							••Cylinder liner		See ref 216/100
5		5					NS		••Bearing carrier		
6	VOE6210370	10					CS		••Screw		
7		10					NS		••Washer		
8	VOE483302	10					CS		••Guide sleeve		(VOE7483302)
9	VOE483898	6					CS		••Plug		
10	VOE11997805	2					CS		••Plug		
11	VOE483445	1					CS		••Plug		(VOE7483445)
12	VOE11988634	1					CS		••Washer		(VOE11997810)
13	VOE968147	1							••Plug		(VOE13926886)
14	VOE11997813	4					SS		••Screw		
15	VOE11997814	4					CS		••Washer		
16	VOE11714691	4							••Nozzle		(VOE11997815)

17	VOE11997816	4							••Dowel		
18	VOE11997817	4							••Valve		
19	VOE11997818	4					CS		•••Ball		
20	VOE11997819	4					CS		•••Spring		
21	VOE11997820	4					CS		•••Retainer		
22	VOE483645	1					CS		•Plug		(VOE7483645)
23	VOE6637386	1					CS		•Plug		
24	VOE11997807	9					CS		•Plug		
25	VOE11997809	1					SS		•Plug		
26	VOE11997808	1					CS		•Plug		
27	VOE11998999	1					CS		•Cover		
28	VOE6212971	1							••Sealing ring		
29	VOE11706327	1							•Gasket		(VOE11993149)
30	VOE480219	2					CS		•Pin		(VOE7480219)
31	VOE984734	12							•Flange screw		(VOE946173)
32	VOE11997812	2					CS		•Screw		
33	VOE11991729	2					CS		•Washer		
34	VOE3976506	1							•Bushing		(VOE11997806)

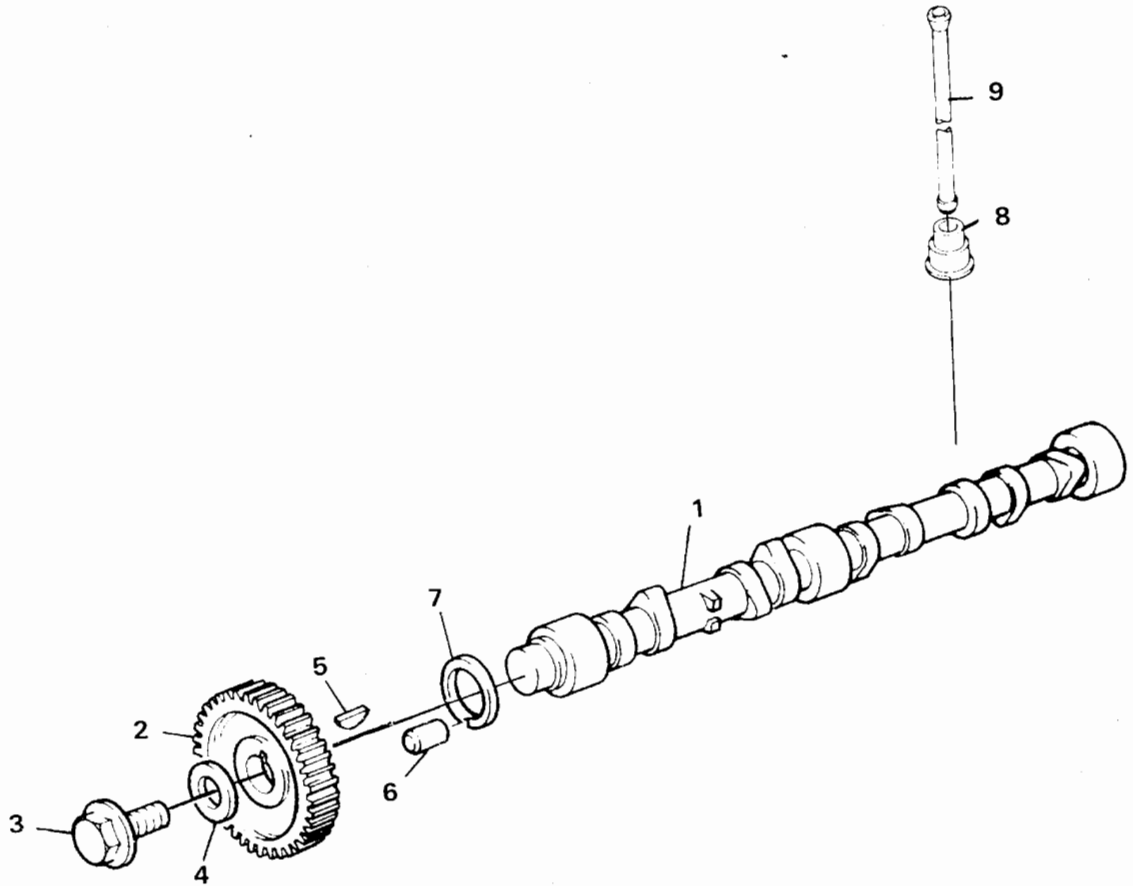
Date: 8/6/2025	Image id: FC223A	Catalogue: 99511	Model: EC150
Brand: Åkerman	Serial: 1-129	Group/Section: 215/100	Title: Timing gear casing



Pos	Part	Q1	Q2	Q3	Q4	Q5	PS	Kit	Description	Option(s)	Remark
1	VOE11716115	1					CS		Timing gear casing		(VOE11997878)
2	VOE11711203	1							Gasket		(VOE11997879)
3	VOE984734	8							Flange screw		(VOE946173)
4	VOE11997880	4							Screw		
5	VOE11999012	1					CS		Plug		

6		1							Gear		See ref 215/150
7		1							Key		See ref 215/150
8		1							Screw		See ref 215/150
9		1							Washer		See ref 215/150
10	VOE6642825	1					SS		Hub		
11	VOE11997886	1					CS		Gear		
12		1					NS		•Bushing		
13	VOE11701556	1					SS		Plate		(VOE7483383)
14	VOE60113100	3							Flange screw		(VOE13965187)
15	VOE11997887	1					SS		Timing gear cover		
16	VOE6212928	1							•Sealing ring		
17	VOE11988378	1							Gasket		(VOE11997888)
18	VOE984734	2							Flange screw		(VOE11997889)
19	VOE60113140	2							Flange nut		(VOE13945408)
20	VOE13965181	6							Screw		
21	VOE984736	6							Flange screw		(VOE11997901)
22	VOE11997890	1					CS		Cover		
23	VOE11997891	1					CS		Gasket		
24	VOE11997893	4					SS		Screw		
25	VOE11997995	1					CS		Housing		
26	VOE11997996	1					CS		Strainer		
27	VOE11997997	1							Gasket		
28	VOE984738	2							Flange screw		(VOE13947760)
29	VOE11997998	1					CS		Cap		
30	VOE11997999	1					CS		Sealing ring		
31	VOE11998060	1					SS		Spacer		
32	VOE11998164	1							Gasket		
33	VOE11997880	5							Screw		
34	VOE990861	1							Flange screw		(VOE946472)
35	VOE479977	1					SS		Plug		(VOE952077)

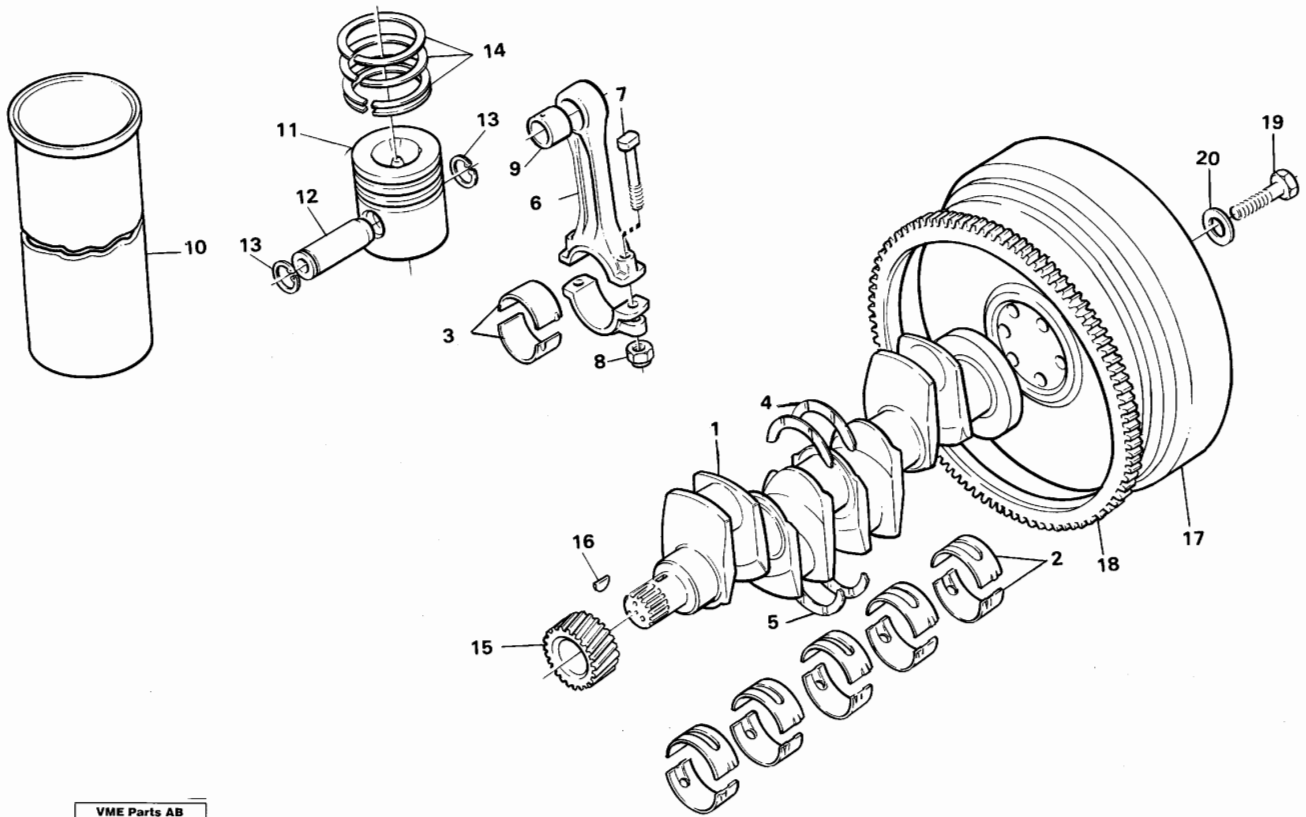
Date: 8/6/2025	Image id: FC221	Catalogue: 99511	Model: EC150
Brand: Åkerman	Serial: 1-129	Group/Section: 215/150	Title: Camshaft



VME Parts AB
FC 2 21
PRINTED IN SWEDEN

Pos	Part	Q1	Q2	Q3	Q4	Q5	PS	Kit	Description	Option(s)	Remark
1	VOE11997881	1					SS		Camshaft		
2	VOE11700783	1					CS		Gear		(VOE11997883)
3	VOE13965191	1							Screw		(VOE11997884)
4	VOE11997885	1							Washer		
5	VOE483448	1							Key		(VOE7483448)
6	VOE6210552	1							Pin		
7	VOE11997882	1					CS		Washer		
8	VOE483371	8							Push rod		(VOE7483371)
9	VOE3976551	8							Tappet		(VOE7483370)

Date: 8/6/2025	Image id: FC219	Catalogue: 99511	Model: EC150
Brand: Åkerman	Serial: 1-129	Group/Section: 216/100	Title: Crankshaft and related parts

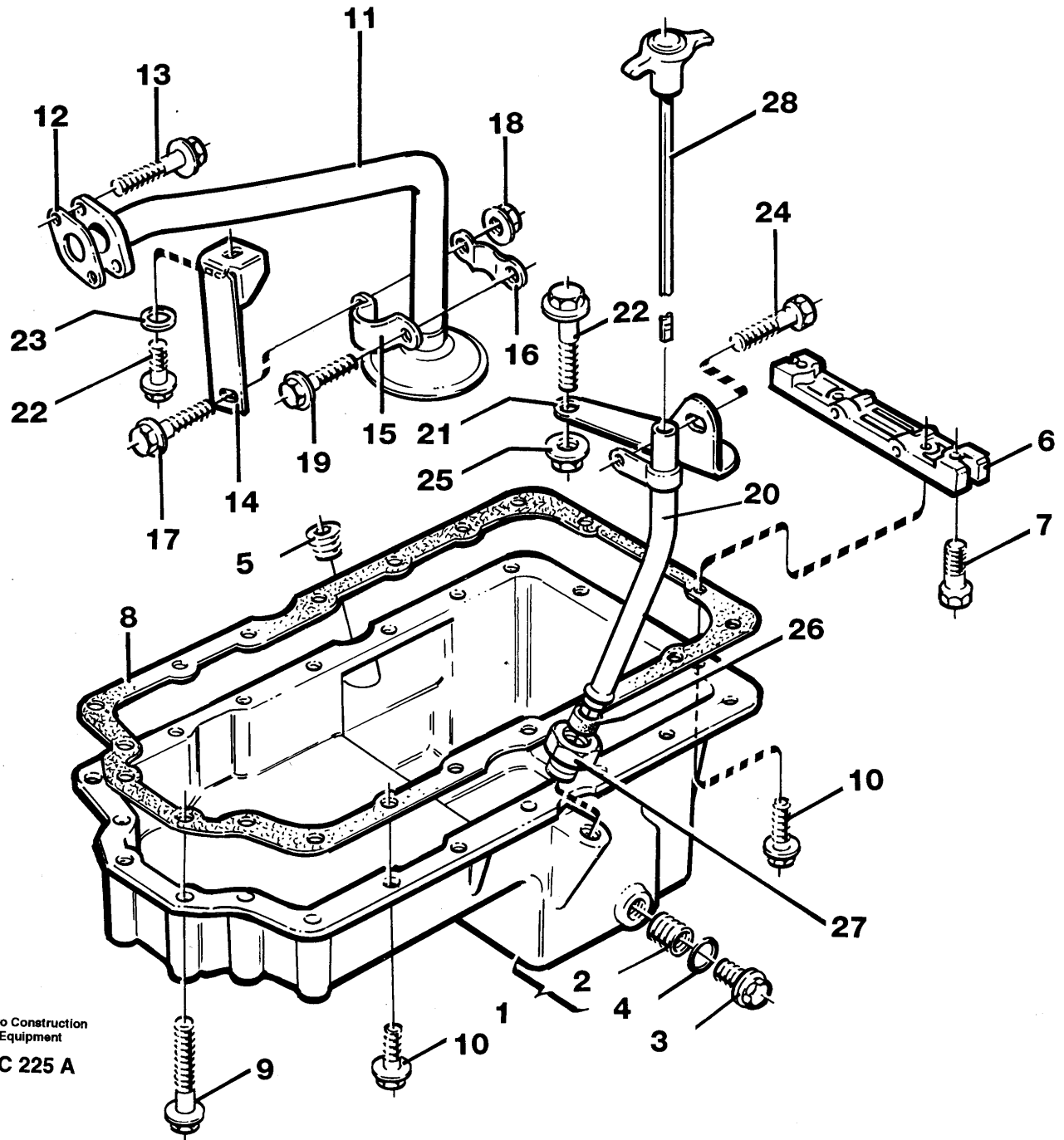


VME Parts AB
FC219
PRINTED IN SWEDEN

Pos	Part	Q1	Q2	Q3	Q4	Q5	PS	Kit	Description	Option(s)	Remark
1	VOE17271722	1							Crankshaft		(VOE11999180)
2	VOE483350	1					SS		•Main bearing kit		(VOE7483350)STD SZ
	VOE17406904	1					CS		•Main bearing kit		(VOE7483351)0,25 mm U SZ
	VOE483352	1							•Main bearing kit		(VOE7483352)0,50 mm U SZ
	VOE483353	1							•Main bearing kit		(VOE7483353)0,75 mm U SZ
3	VOE483354	1							•Big End Brg Kit		(VOE7483354)STD SZ
	VOE483355	1							•Big End Brg Kit		(VOE7483355)0,25 mm U SZ
	VOE483356	1							•Big End Brg Kit		(VOE7483356)0,50 mm U SZ
	VOE483357	1					CS		•Big End Brg Kit		(VOE7483357)0,75 mm U SZ
4	VOE483336	2							•Thrust washer		(VOE7483336)STD SZ
	VOE7483338	2					SS		•Thrust Washer		0,19 mm OSZ
5	VOE483337	2							•Thrust washer		(VOE7483337)STD SZ

	VOE483339	2							•Thrust washer		(VOE7483339)0,19 mm O SZ
6	VOE11714606	4					CS		Connecting rod kit		(VOE11997828)
7	VOE11705494	8							•Screw		(VOE7483346)
8	VOE6212806	8							•Nut		
9	VOE11997829	4					CS		•Bearing bushing		
10	VOE11998671	4					CS		Cylinder liner		
11	VOE17260573	4							Piston		(VOE11999181)
12		4					NS		•Piston pin		
13	VOE11997831	8					CS		•Lock ring		
14	VOE11999927	4							Piston ring kit		(VOE11999006)
15	VOE11997833	1					CS		Gear		
16	VOE483448	1							Key		(VOE7483448)
17	VOE11999539	1					CS		Flywheel		From 2/7 1994
	VOE11997944	1					SS		Flywheel		Up to 1/7 1994
18	VOE11997947	1							•Gear ring		
19	VOE11997945	12					CS		Bolt		From 2/7 1994
	VOE11997945	6					CS		Bolt		Up to 1/7 1994
20	VOE11997946	12							Washer		From 2/7 1994
	VOE11997946	6							Washer		Up to 1/7 1994

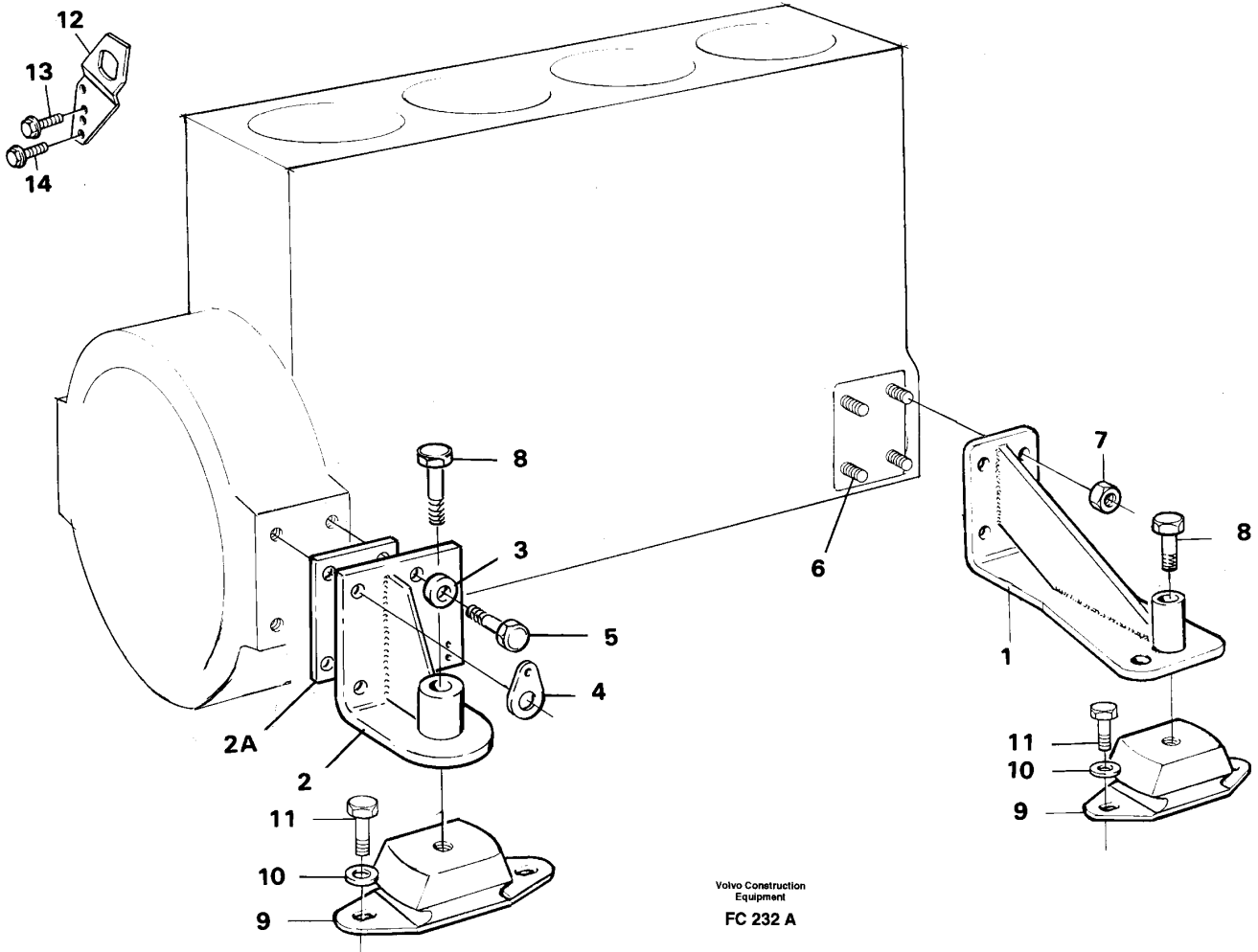
Date: 8/6/2025	Image id: FC225A	Catalogue: 99511	Model: EC150
Brand: Åkerman	Serial: 1-129	Group/Section: 217/100	Title: Oil sump



Pos	Part	Q1	Q2	Q3	Q4	Q5	PS	Kit	Description	Option(s)	Remark
1	VOE11712585	1					CS		Oil pan		(VOE11997039)
2	VOE11997987	2					CS		•Insert sleeve		
3	VOE11997973	2					CS		Plug		
4	VOE11997974	2					CS		O-ring		
5	VOE11997975	1							Plug		

6	VOE11701581	1					CS		Bridge		(VOE11997978)
7	VOE11997813	2					SS		Screw		
8	VOE11997979	1							Gasket		
9	VOE969189	6							Flange screw		(VOE11997968)
10	VOE984734	14							Flange screw		(VOE946173)
11	VOE11997040	1					CS		Oil pipe		
12	VOE11998167	1							Gasket		
13	VOE984738	2							Flange screw		(VOE13947760)
14	VOE11997041	1					CS		Bracket		
15	VOE11997043	1					CS		Clamp		
16	VOE11997042	1					CS		Plate		
17	VOE60113069	1							Flange screw		(VOE13946544)
18	VOE11998120	2					CS		Nut		
19	VOE13965175	1							Screw		
20	VOE11997044	1					SS		Oil pipe		
21	VOE11997046	1					CS		Bracket		
22	VOE984733	1							Flange screw		(VOE946440)
23	VOE6639370	1					CS		Washer		
24	VOE946471	2							Flange screw		
25	VOE11997045	1					CS		Clamp		
26	VOE11997985	1					CS		O-ring		
27	VOE11997930	1					CS		Nut		
28	VOE11997047	1					SS		Dipstick		

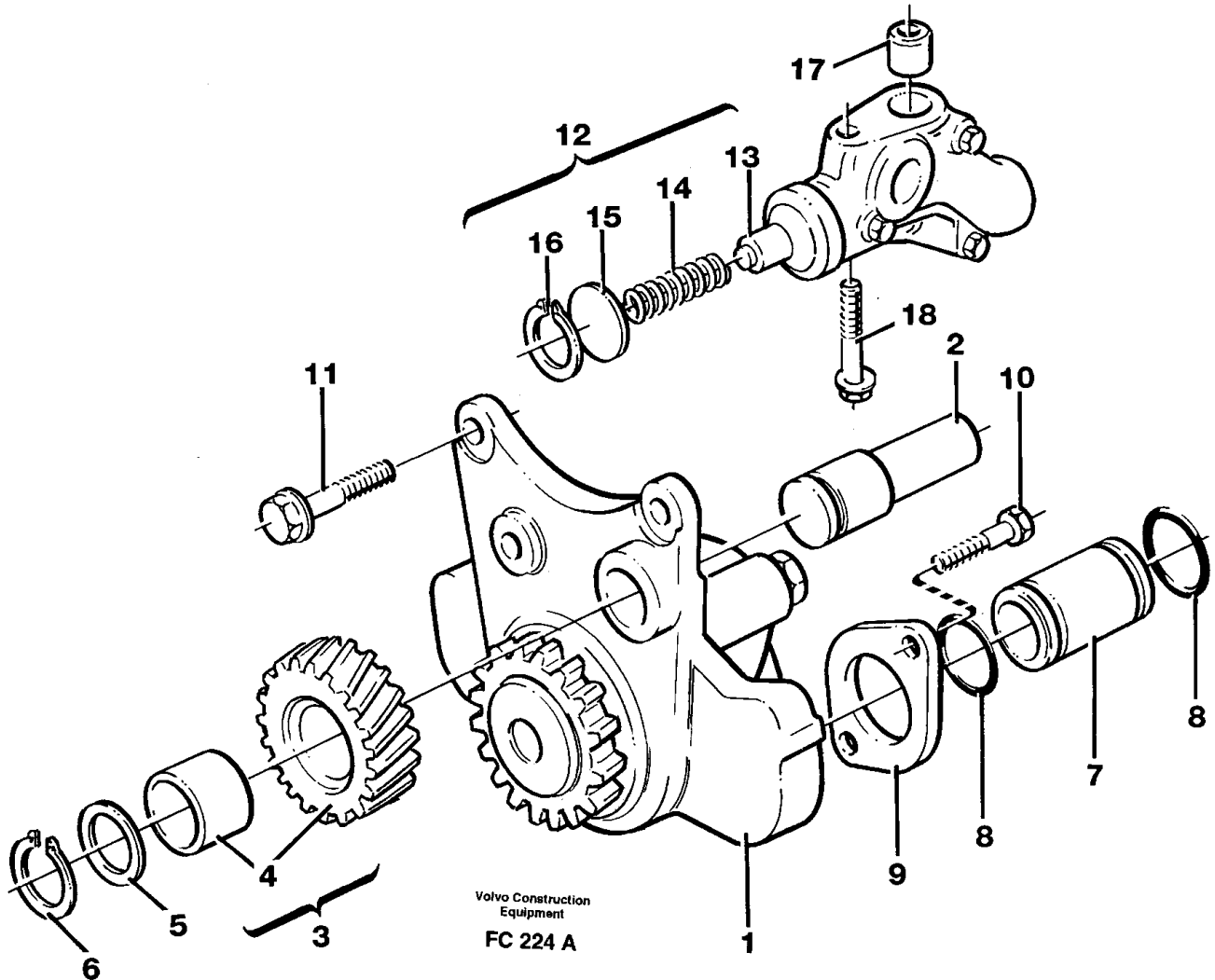
Date: 8/6/2025	Image id: FC232A	Catalogue: 99511	Model: EC150
Brand: Åkerman	Serial: 1-129	Group/Section: 218/100	Title: Engine mounting



Pos	Part	Q1	Q2	Q3	Q4	Q5	PS	Kit	Description	Option(s)	Remark
1	VOE14257205	2					CS		Engine anchorage		
2	VOE14257210	1					CS		Engine anchorage		RH
	VOE14258960	1					SS		Engine anchorage		LH,SER NO 12-
	VOE14260718	1					CS		Engine anchorage		LH,SER NO 13-
2A	VOE14258737	1					CS		Spacer		RH
3	VOE14040547	8					CS		Spacer		
4	VOE14252169	1					CS		Attachment		
5	VOE60113111	4							Flange screw		(VOE13965193)RH
	VOE60113113	4							Flange screw		(VOE13965194)LH
6	VOE11998146	8					CS		Stud		
7	VOE13971090	8							Lock nut		
8	VOE997467	4							Hexagon screw		(VOE13955374)
9	VOE14211252	4					CS		Rubber damper		SER NO -117
	VOE14266108	4					CS		Rubber damper		SER NO -118

10	VOE14015146	8						Washer		SER NO -117
	VOE13960145	8						Washer		SER NO 118-
11	VOE997446	8						Hexagon screw		(VOE13970970)
12		1					NS	Lifting eye		
13	VOE60113093	1						Flange screw		(VOE946329)
14	VOE990861	1						Flange screw		(VOE946472)
	VOE14024293	REQ					CS	Locking fluid		

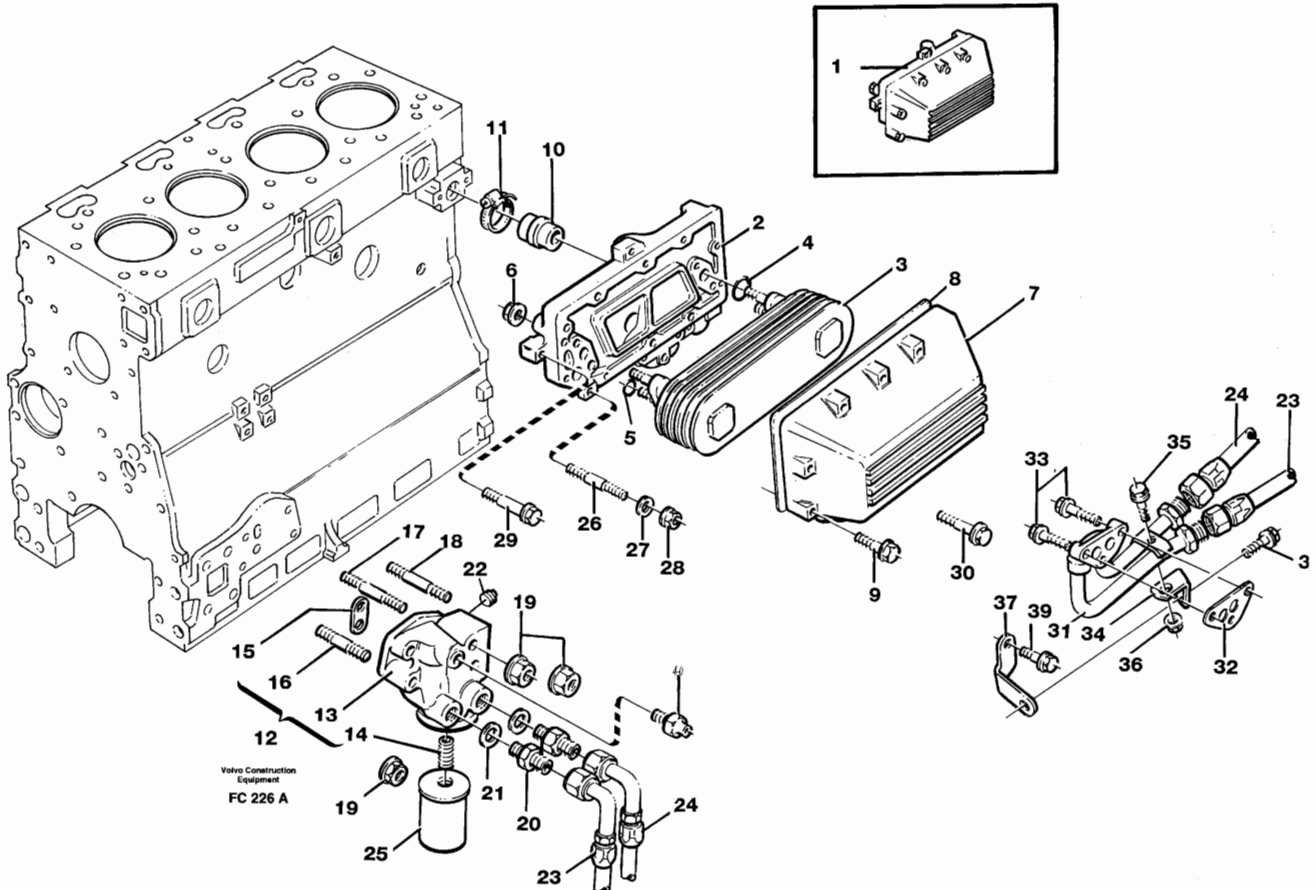
Date: 8/6/2025	Image id: FC224A	Catalogue: 99511	Model: EC150
Brand: Åkerman	Serial: 1-129	Group/Section: 221/100	Title: Oil pump



Pos	Part	Q1	Q2	Q3	Q4	Q5	PS	Kit	Description	Option(s)	Remark
1	VOE11997020	1							Oil pump		
2	VOE11997006	1					CS		Shaft		(VOE11997896)
3	VOE11997897	1					CS		Gear		
4	VOE11997898	1					CS		•Bushing		
5	VOE11997899	1					CS		Washer		
6	VOE483469	1							Lock ring		(VOE7483469)
7	VOE11997908	1					CS		Pipe		
8	VOE11997909	2							O-ring		
9	VOE11997910	1							Flange		
10	VOE60113081	2							Flange screw		(VOE13945444)
11	VOE984736	3							Flange screw		(VOE11997901)
12	VOE11997902	1					SS		Overflow valve		
13	VOE11997903	1					CS		•Piston		

14	VOE11997904	1					SS		•Spring		
15	VOE11997905	1					CS		•Cover		
16	VOE11997906	1					CS		•Lock ring		
17	VOE6211943	1					SS		Sleeve		
18	VOE11997907	1					SS		Screw		

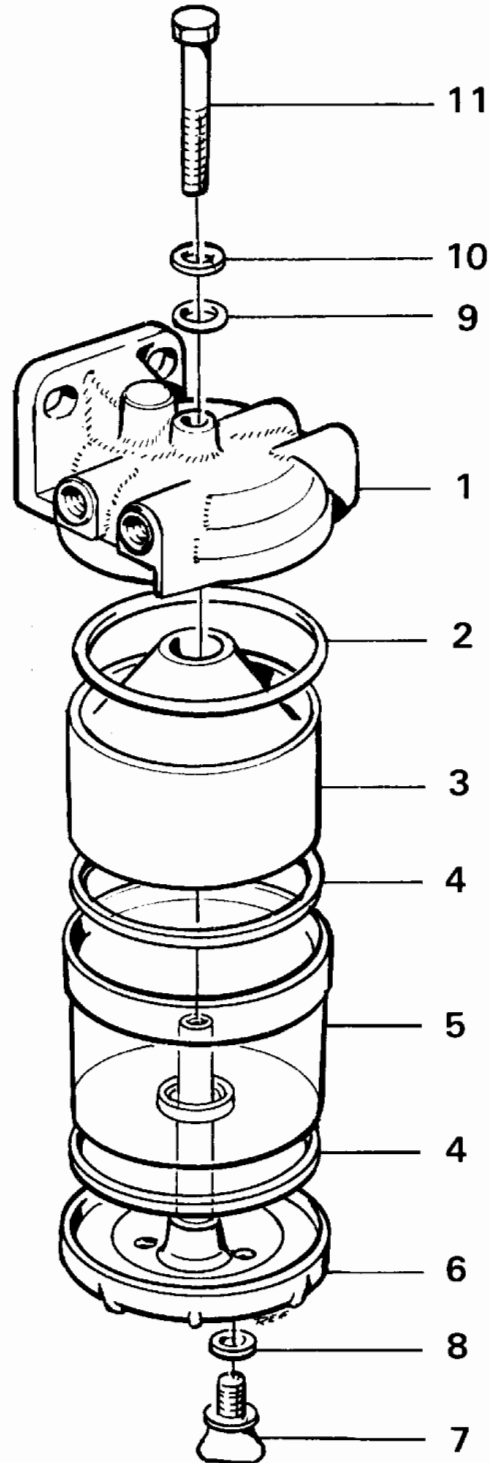
Date: 8/6/2025	Image id: FC226A	Catalogue: 99511	Model: EC150
Brand: Åkerman	Serial: 1-129	Group/Section: 223/100	Title: Oil cooler



Pos	Part	Q1	Q2	Q3	Q4	Q5	PS	Kit	Description	Option(s)	Remark
1	VOE11713096	1					CS		Oil cooler		(VOE11997052)
2		1					NS		•Housing		
3	VOE11997053	1					CS		•Oil cooler		
4	VOE11997054	2					CS		•O-ring		
5	VOE11997055	4							•O-ring		
6	VOE11997056	4					CS		•Nut		
7		1					NS		•Cover		
8	VOE11997058	1					CS		•Gasket		
9	VOE984728	8							•Flange screw		(VOE11997021)
10	VOE11997060	1					CS		Connector		
11	VOE11999064	1							Clamp		(VOE11997061)
12	VOE11999546	1					CS		Filter housing		
13		1					NS		•Filter Housing		
14	VOE11998007	1					CS		•Connecting pipe		
15	VOE11998169	1							•Gasket		
16	VOE11997065	2					CS		Stud		
17	VOE11997066	1					CS		Stud		

18	VOE11997067	1					CS		Stud		
19	VOE990941	2							Flange nut		(VOE13971095)
20	VOE14216207	2					CS		Nipple		
21	VOE14024332	2					SS		Sealing washer		
22		1					NS		Plug		
23	VOE14259511	1					CS		Hydraulic hose		
24	VOE14259512	1					CS		Hydraulic hose		
25	VOE17262703	1							Oil Filter		(VOE11998008)
26	VOE11997071	1					CS		Stud		
27	VOE60110236	1							Plain washer		(VOE13955894)
28	VOE11704796	1					CS		Cover		(VOE11997072)
29	VOE994385	2							Flange screw		(VOE13948217)
30	VOE984728	2							Flange screw		(VOE11997021)
31		1					NS		Pipe		
32	VOE11998166	1							Gasket		(VOE11997069)
33	VOE984736	2							Flange screw		(VOE11997901)
34	VOE11997070	1					CS		Bracket		
35	VOE994383	1							Flange screw		(VOE13944926)
36	VOE60113140	1							Flange nut		(VOE13945408)
37		1					NS		Bracket		
38	VOE984733	1							Flange screw		(VOE946440)
39	VOE946441	1							Flange screw		
40	VOE11039249	1							Pressure monitor		

Date: 8/6/2025	Image id: FC235	Catalogue: 99511	Model: EC150
Brand: Åkerman	Serial: 1-129	Group/Section: 233/150	Title: Filter



VME Parts AB
FC 235
PRINTED IN SWEDEN

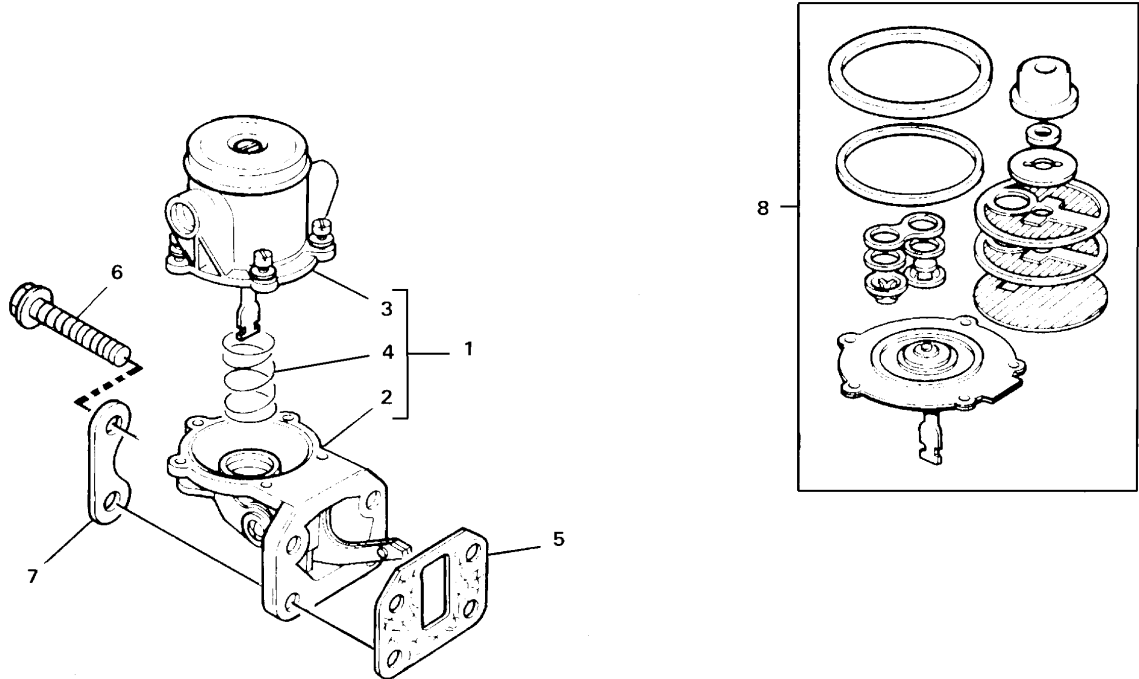
Pos	Part	Q1	Q2	Q3	Q4	Q5	PS	Kit	Description	Option(s)	Remark
	VOE4880463	1					SS		Water separator		See footnote 932)
	VOE877766		1						Fuel filter		See footnote 1)
1		1					NS		•Cover		

2	VOE1695001	1							•Gasket		
3	VOE829666	1					SS		•Separator		
4	VOE1695000	2							•Gasket		
5	VOE818407	1							•Reservoir		
6	VOE6213506	1					CS		•Base plate		(VOE6211353)
7	VOE242595	1							••Plug		
8	VOE6643249	1							•••Gasket		
9	VOE236570	1							•O-ring		(VOE7236570)
10	VOE6648589	1							•Washer		
11	VOE7192545	1							•Screw		

1) Replacement version

932) Production version.

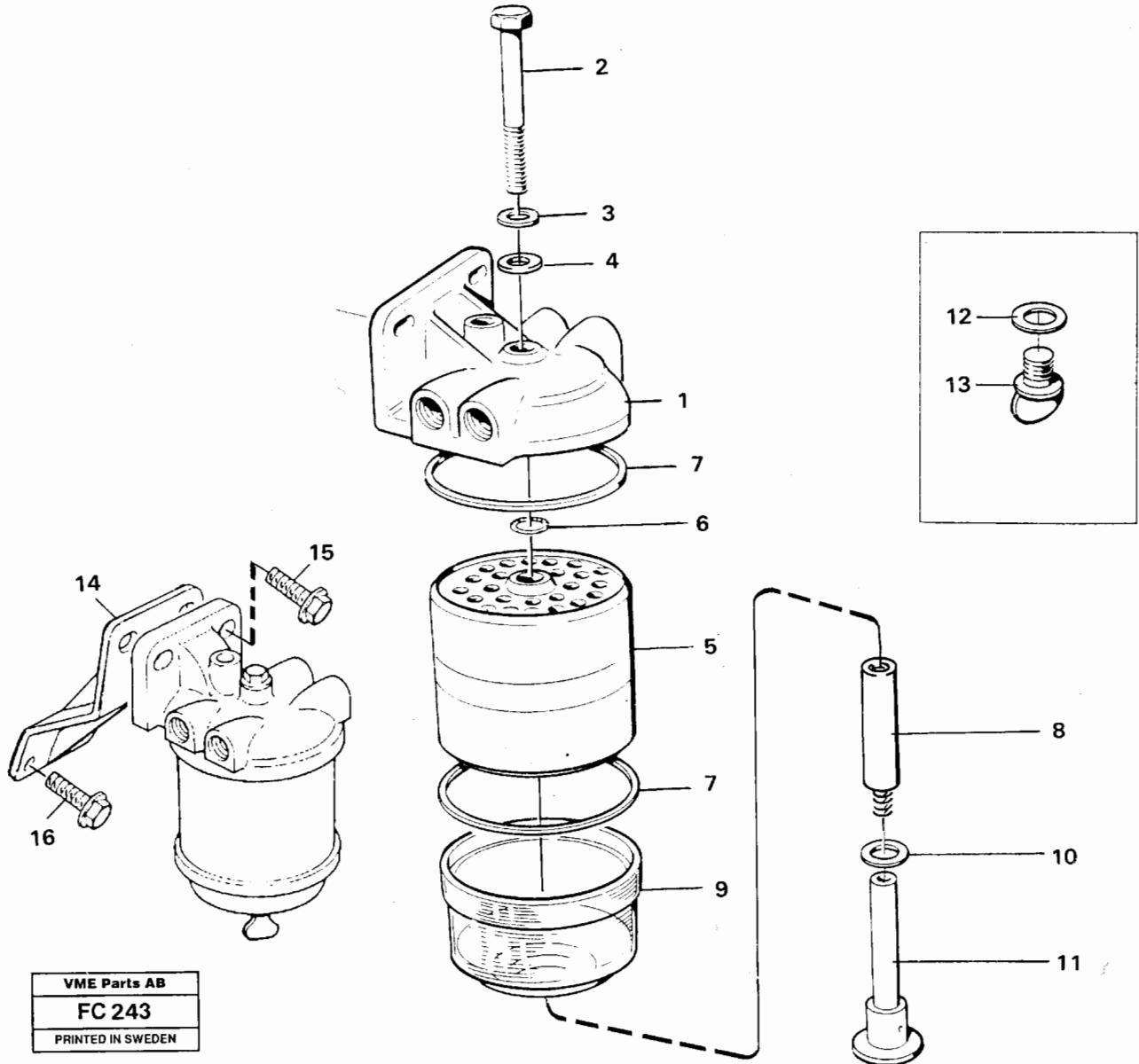
Date: 8/6/2025	Image id: FC240	Catalogue: 99511	Model: EC150
Brand: Åkerman	Serial: 1-129	Group/Section: 233/200	Title: Feed pump



VME Parts AB
FC 240
PRINTED IN SWEDEN

Pos	Part	Q1	Q2	Q3	Q4	Q5	PS	Kit	Description	Option(s)	Remark
1	VOE11998110	1					SS		Fuel pump		
2		1					NS		•Housing		
3		1					NS		•Filter Housing		
4		1					NS		•Spring		
5	VOE11700965	1							Gasket		(VOE11998123)
6	VOE984734	4							Flange screw		(VOE946173)
7	VOE6646984	2							Plate		
8	VOE11998112	1					SS		Repair kit		

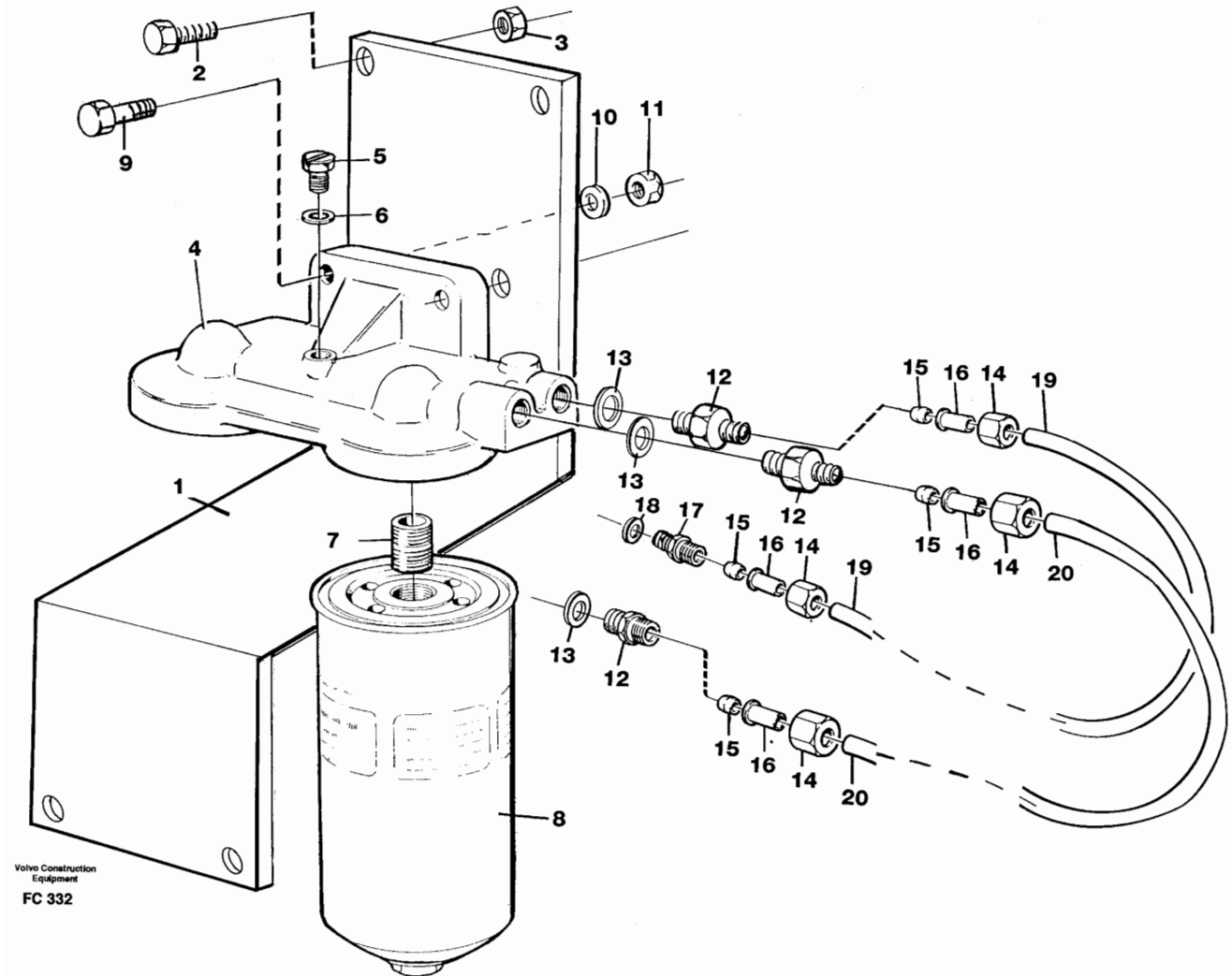
Date: 8/6/2025	Image id: FC243	Catalogue: 99511	Model: EC150
Brand: Åkerman	Serial: 1-129	Group/Section: 233/250	Title: Fuel filter



Pos	Part	Q1	Q2	Q3	Q4	Q5	PS	Kit	Description	Option(s)	Remark
	VOE11998124	1					CS		Fuel filter		
1	VOE11998125	1					CS		•Filter cover		
2	VOE11998128	1					CS		•Screw		
3	VOE11998127	1							•Washer		
4	VOE11998126	1					CS		•O-ring		
5	VOE11999066	1					CS		•Fuel filter		(VOE11998129)
6	VOE11998130	1							••Sealing ring		
7	VOE11998131	2							••Gasket		
8	VOE11998132	1					CS		•Stud		

9	VOE11998133	1							•Bowl		
10	VOE11998134	1							•Sealing ring		
11	VOE11998135	1					CS		•Screw		
12	VOE11998136	1							•Washer		
13	VOE11998137	1							•Lock screw		
14	VOE11998138	1					CS		Bracket		
15	VOE60113093	2							Flange screw		(VOE946329)
16	VOE990861	2							Flange screw		(VOE946472)

Date: 8/6/2025	Image id: FC332	Catalogue: 99511	Model: EC150
Brand: Åkerman	Serial: 1-129	Group/Section: 233/300	Title: Extra fuel filter 14261108



Section option	Kit	Option description
VOE14261108	VOE11702522	Extra fuel filter

Pos	Part	Q1	Q2	Q3	Q4	Q5	PS	Kit	Description	Option(s)	Remark
1	VOE14261014	1					CS		Retainer		
2	VOE60111877	4							Hexagon screw		(VOE955297)
3	VOE14213492	4					CS		Blind rivet nut		
4	VOE787029	1					CS		Cover		
5	VOE11000051	1							Screw		
6	VOE957171	1							Gasket		
7	VOE781644	1							Nipple		
8	VOE795210	1							Fuel filter		
9	VOE60113214	2							Hexagon screw		(VOE14014601)
10	VOE60110236	2							Plain washer		(VOE13955894)