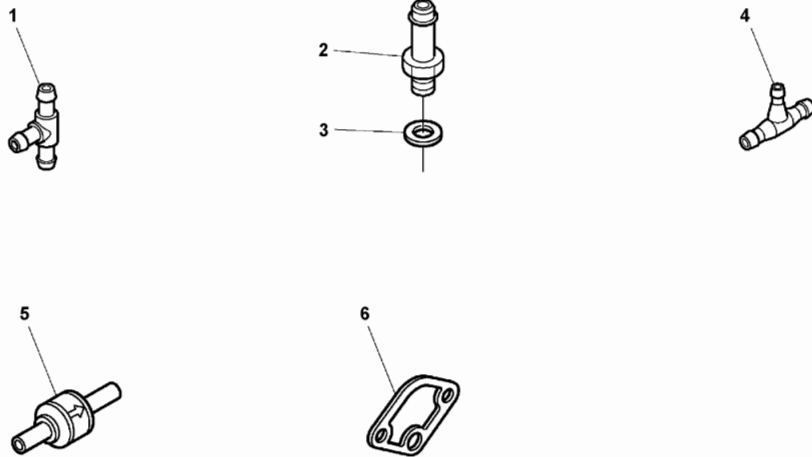




Date: <b>4/15/2025</b>	Image id: <b>1067810</b>	Catalogue: <b>20689</b>	Model: <b>BL61B</b>
Brand: <b>Volvo</b>	Serial: <b>230101-</b>	Group/Section: <b>210/50</b>	Title: <b>Repair kits for engine 16209632</b>

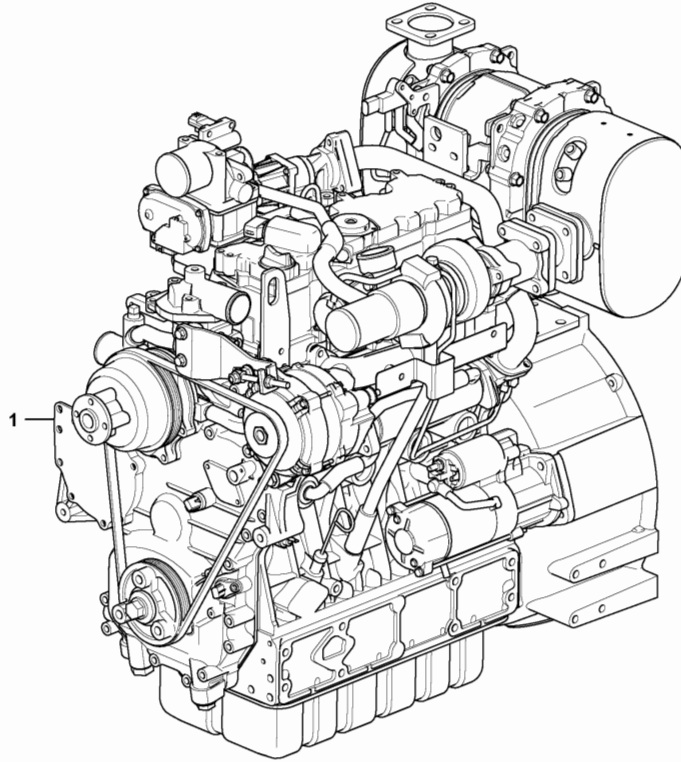


Volvo Construction  
Equipment  
1067810

Section option	Kit	Option description
VOE16209632		Engine D3.8H ST. IIIB EU

Pos	Part	Q1	Q2	Q3	Q4	Q5	PS	Kit	Description	Option(s)	Remark
1	VOE16672966	1							Connector		
2	VOE16672795	1							Pipe connection		
3	VOE16668783	1							Gasket		
4	VOE16672971	1							Joint		
5	VOE17230310	1							Valve		
6	VOE16669808	1							Gasket		

Date: <b>4/15/2025</b>	Image id: <b>1067811</b>	Catalogue: <b>20689</b>	Model: <b>BL61B</b>
Brand: <b>Volvo</b>	Serial: <b>230101-</b>	Group/Section: <b>210/100</b>	Title: <b>Engine 11895692</b>

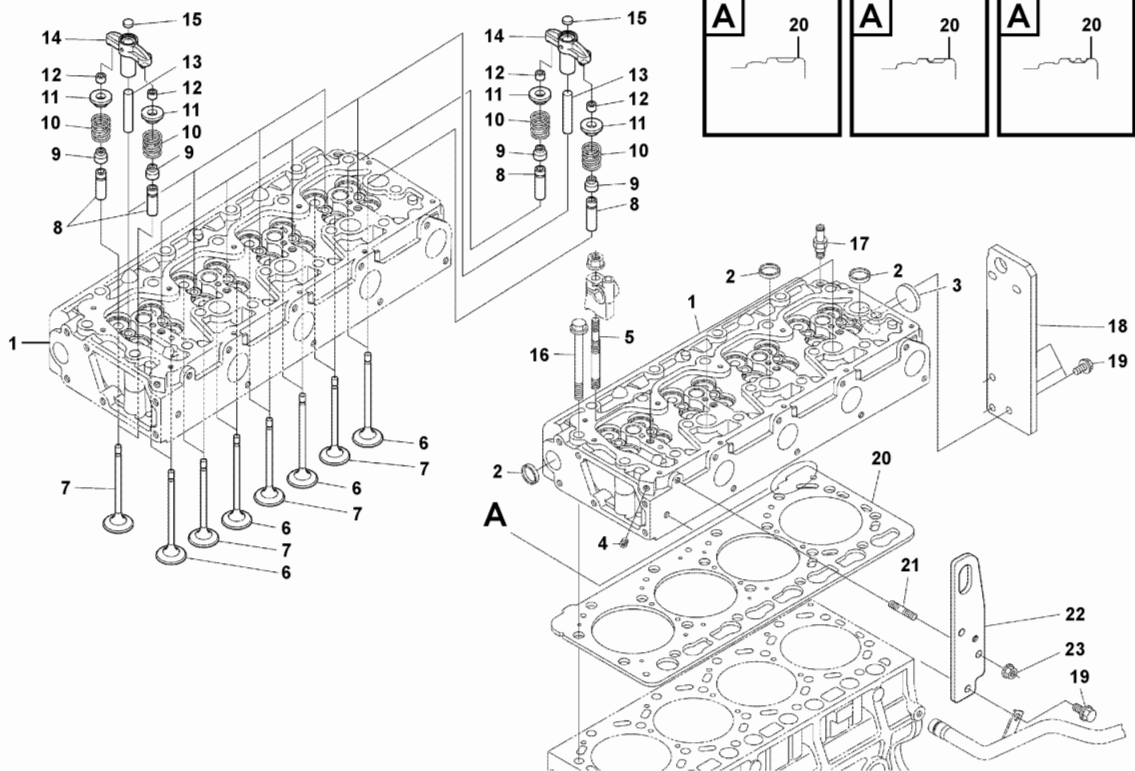


Volvo Construction  
Equipment  
1067811

Section option	Kit	Option description
VOE11895692		Engine Installation D3.8H ST. IIIB EU

Pos	Part	Q1	Q2	Q3	Q4	Q5	PS	Kit	Description	Option(s)	Remark
1	VOE16209632	1							Engine		91 HP D3.8H ST. IIIB EU

Date: <b>4/15/2025</b>	Image id: <b>1066154</b>	Catalogue: <b>20689</b>	Model: <b>BL61B</b>
Brand: <b>Volvo</b>	Serial: <b>230101-</b>	Group/Section: <b>211/100</b>	Title: <b>Cylinder head 16209632</b>



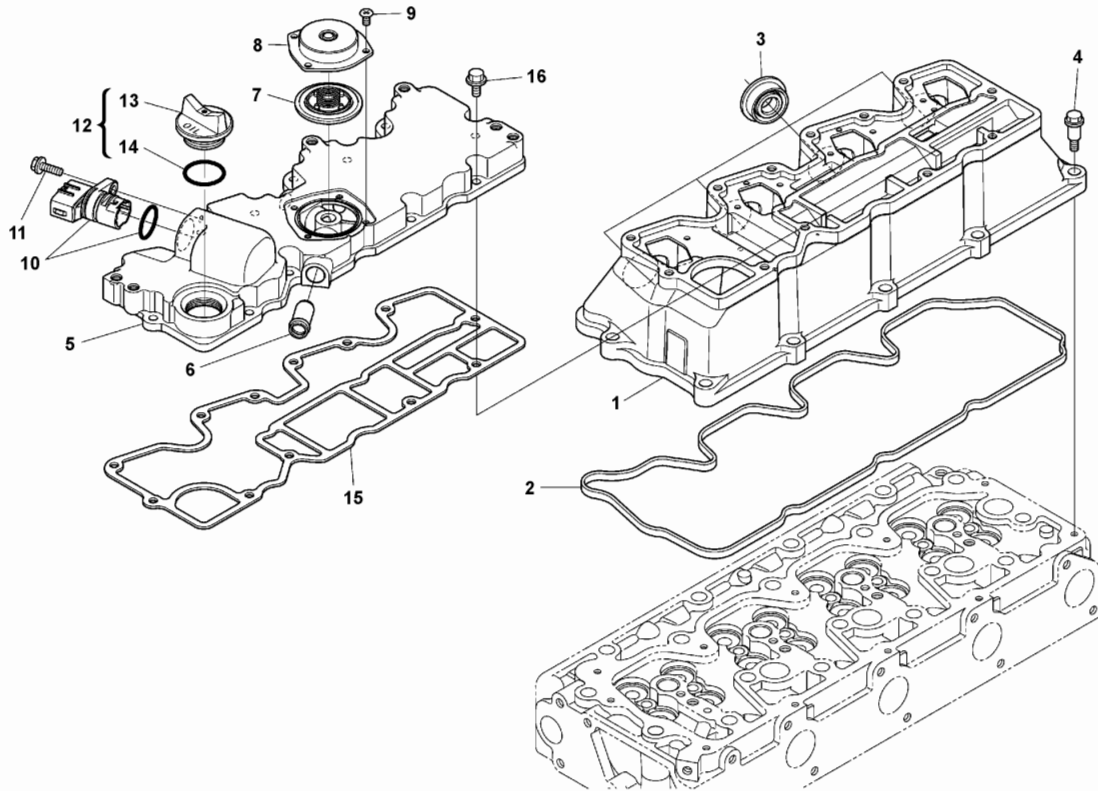
Volvo Construction  
Equipment  
1066154

Section option	Kit	Option description
VOE16209632		Engine D3.8H ST. IIIB EU

Pos	Part	Q1	Q2	Q3	Q4	Q5	PS	Kit	Description	Option(s)	Remark
1	VOE17248719	1							Cylinder head		
2	VOE16658959	5							•Cap		
3	VOE16658973	1							•Cap		
4	VOE16658765	1							•Plug		
5	VOE16672694	4							•Stud		
6	VOE23423385	8							•Valve		(VOE16671280)
7	VOE23423983	8							•Valve		(VOE16671268)
8	VOE16669834	16							•Guide		
9	VOE16670182	16							•Valve stem seal		
10	VOE16670202	16							•Valve spring		
11	VOE16669831	16							•Retainer		
12	VOE16668838	16							•Collet		SET
12	VOE16668857	16							•Collet		SET



Date: <b>4/15/2025</b>	Image id: <b>1066156</b>	Catalogue: <b>20689</b>	Model: <b>BL61B</b>
Brand: <b>Volvo</b>	Serial: <b>230101-</b>	Group/Section: <b>211/200</b>	Title: <b>Valve cover 16209632</b>



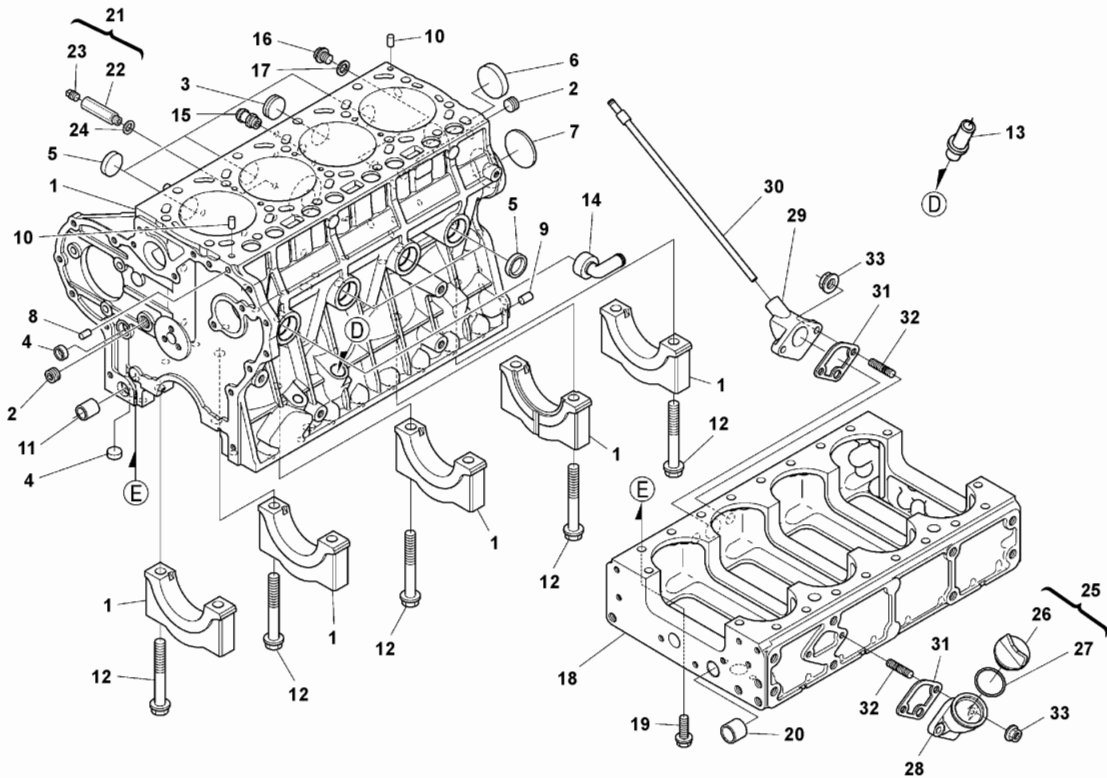
Volvo Construction  
Equipment  
1066156

Section option	Kit	Option description
VOE16209632		Engine D3.8H ST. IIIB EU

Pos	Part	Q1	Q2	Q3	Q4	Q5	PS	Kit	Description	Option(s)	Remark
1	VOE22673450	1							Valve cover		
2	VOE17248668	1							•Gasket		
3	VOE16671389	4							•Seal		
4	VOE16660484	10							•Bolt		
5	VOE16672097	1							Cover		
6	VOE16669827	1							•Joint		
7	VOE16671670	1							•Breather		
8	VOE16659180	1							•Breather		
9	VOE16668337	4							•Screw		
10	VOE16672775	1							•Connector		
11	VOE16668223	1							•Bolt		
12	VOE16668456	1							•Plug		
13	VOE16672982	1							••Plug		



Date: <b>4/15/2025</b>	Image id: <b>1067782</b>	Catalogue: <b>20689</b>	Model: <b>BL61B</b>
Brand: <b>Volvo</b>	Serial: <b>230101-</b>	Group/Section: <b>212/100</b>	Title: <b>Cylinder block 16209632</b>



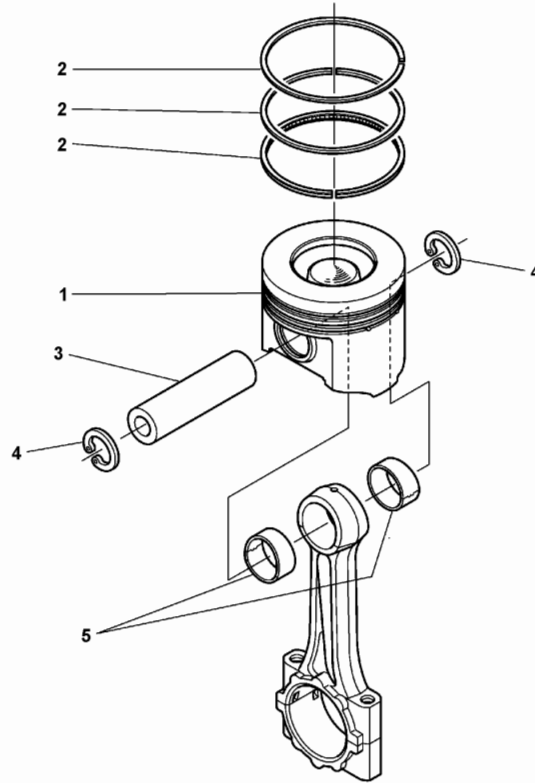
Volvo Construction  
Equipment  
1067782

Section option	Kit	Option description
VOE16209632		Engine D3.8H ST. IIIB EU

Pos	Part	Q1	Q2	Q3	Q4	Q5	PS	Kit	Description	Option(s)	Remark
1		1					NS		Crankcase		
2		2					NS		•Plug		
3	VOE16670005	1							•Plug		
4	VOE16668823	2							•Cap		
5	VOE16658808	6							•Cap		
6		1					NS		•Cap		
7		1					NS		•Plug		
8	VOE16668615	1							•Pin		
9	VOE16668623	4							•Pin		
10	VOE16658862	2							•Pin		
11	VOE16670452	1							•Pin		
12	VOE16670174	10							•Bolt		
13	VOE16671427	1							Oil pipe		



Date: <b>4/15/2025</b>	Image id: <b>1066195</b>	Catalogue: <b>20689</b>	Model: <b>BL61B</b>
Brand: <b>Volvo</b>	Serial: <b>230101-</b>	Group/Section: <b>213/100</b>	Title: <b>Cylinder liner and piston 16209632</b>

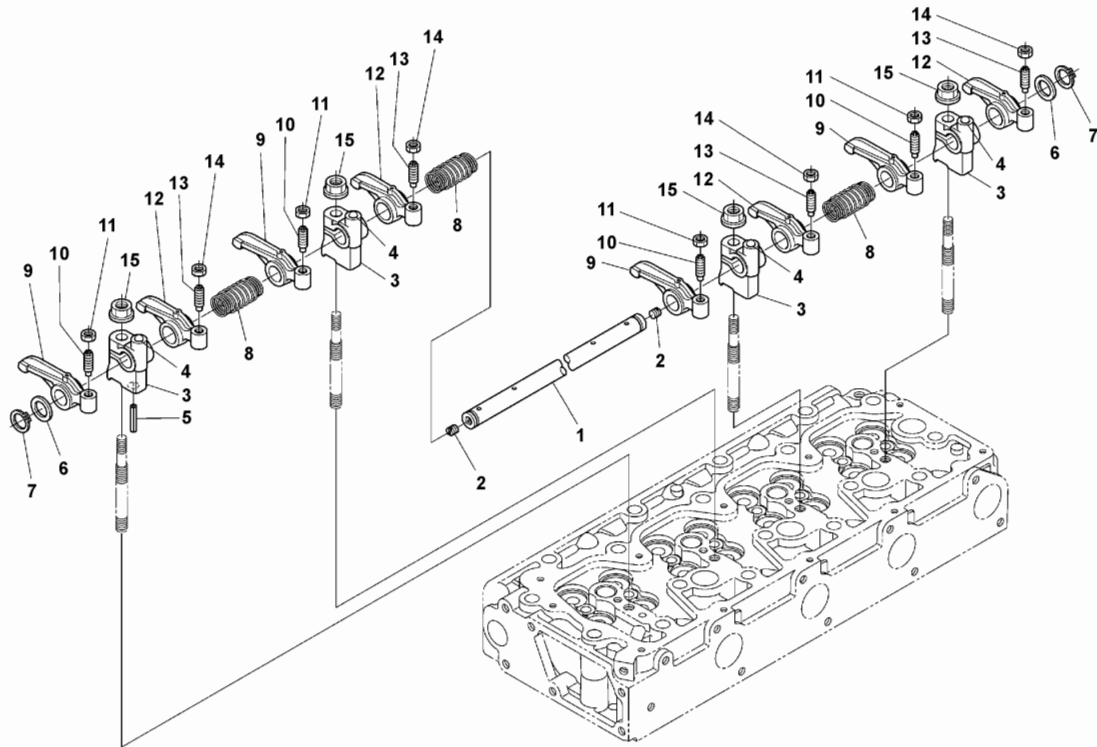


Volvo Construction  
Equipment  
1066195

Section option	Kit	Option description
VOE16209632		Engine D3.8H ST. IIIB EU

Pos	Part	Q1	Q2	Q3	Q4	Q5	PS	Kit	Description	Option(s)	Remark
	VOE23610760	4							Piston kit		(VOE16672209)STD
	VOE16672211	4					SS		Piston kit		+0.50mm
1	VOE16672728	4					SS		•Piston		STD
1	VOE16672731	4					SS		•Piston		+0.50mm
2	VOE16672199	4							•Piston ring		STD
2	VOE16672205	4							•Piston ring		+0.50mm
3	VOE16670234	4							•Gudgeon pin		
4	VOE16668352	8							•Circlip plier		
5	VOE16672733	8							•Bushing		

Date: <b>4/15/2025</b>	Image id: <b>1066155</b>	Catalogue: <b>20689</b>	Model: <b>BL61B</b>
Brand: <b>Volvo</b>	Serial: <b>230101-</b>	Group/Section: <b>214/100</b>	Title: <b>Rocker arm shaft 16209632</b>



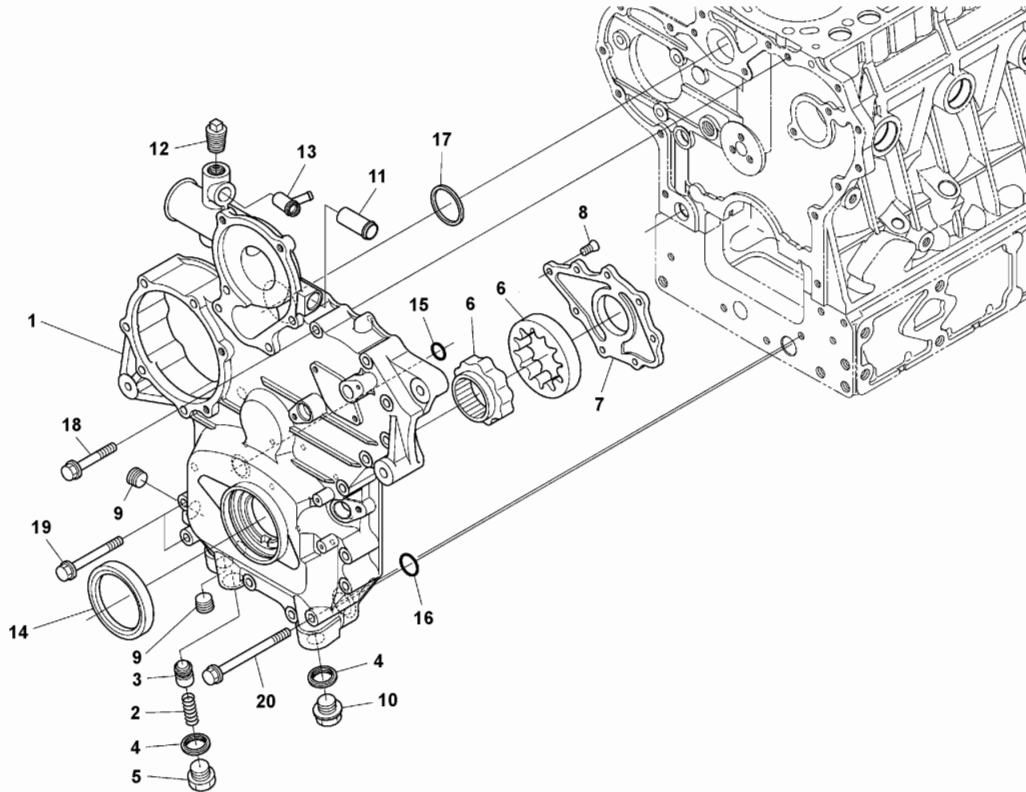
Volvo Construction  
Equipment  
1066155

Section option	Kit	Option description
VOE16209632		Engine D3.8H ST. IIIB EU

Pos	Part	Q1	Q2	Q3	Q4	Q5	PS	Kit	Description	Option(s)	Remark
1	VOE16671300	1							Shaft		
2		2					NS		Screw		
3	VOE16672708	4							Bracket		
4	VOE16668658	4							Ball		
5	VOE16660344	1							Spring pin		
6	VOE16670219	2							Washer		
7	VOE16668375	2							Circlip plier		
8	VOE16671313	3							Spring		
9	VOE16671287	4							Rocker arm		
10	VOE16660807	4							•Screw		
11	VOE16660801	4							•Nut		
12	VOE16671306	4							Rocker arm		
13	VOE16660807	4							•Screw		



Date: <b>4/15/2025</b>	Image id: <b>1067785</b>	Catalogue: <b>20689</b>	Model: <b>BL61B</b>
Brand: <b>Volvo</b>	Serial: <b>230101-</b>	Group/Section: <b>215/100</b>	Title: <b>Timing gear casing 16209632</b>



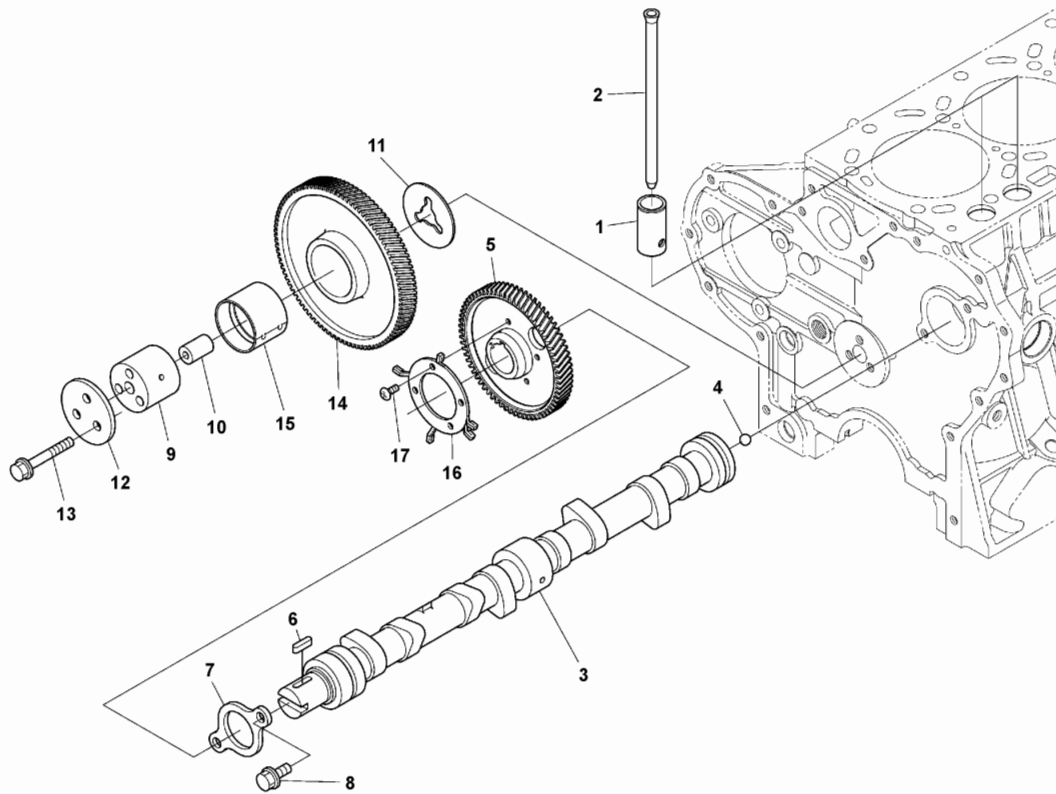
Volvo Construction  
Equipment  
1067785

Section option	Kit	Option description
VOE16209632		Engine D3.8H ST. IIIB EU

Pos	Part	Q1	Q2	Q3	Q4	Q5	PS	Kit	Description	Option(s)	Remark
1		1					NS		Gear		
2	VOE16670495	1							•Spring		
3	VOE16670489	1							•Valve		
4	VOE16668443	2							•Gasket		
5	VOE16670499	1							•Plug		
6	VOE16670458	1							•Rotor		See ref 221/100
7	VOE16670466	1							•Cover		
8	VOE17259404	8							•Screw		
9	VOE16671235	2							•Plug		
10	VOE16669993	1							•Plug		
11	VOE16669827	1							•Joint		
12		1					NS		•Plug		
13		4					NS		•Pipe		



Date: <b>4/15/2025</b>	Image id: <b>1067786</b>	Catalogue: <b>20689</b>	Model: <b>BL61B</b>
Brand: <b>Volvo</b>	Serial: <b>230101-</b>	Group/Section: <b>215/300</b>	Title: <b>Camshaft 16209632</b>



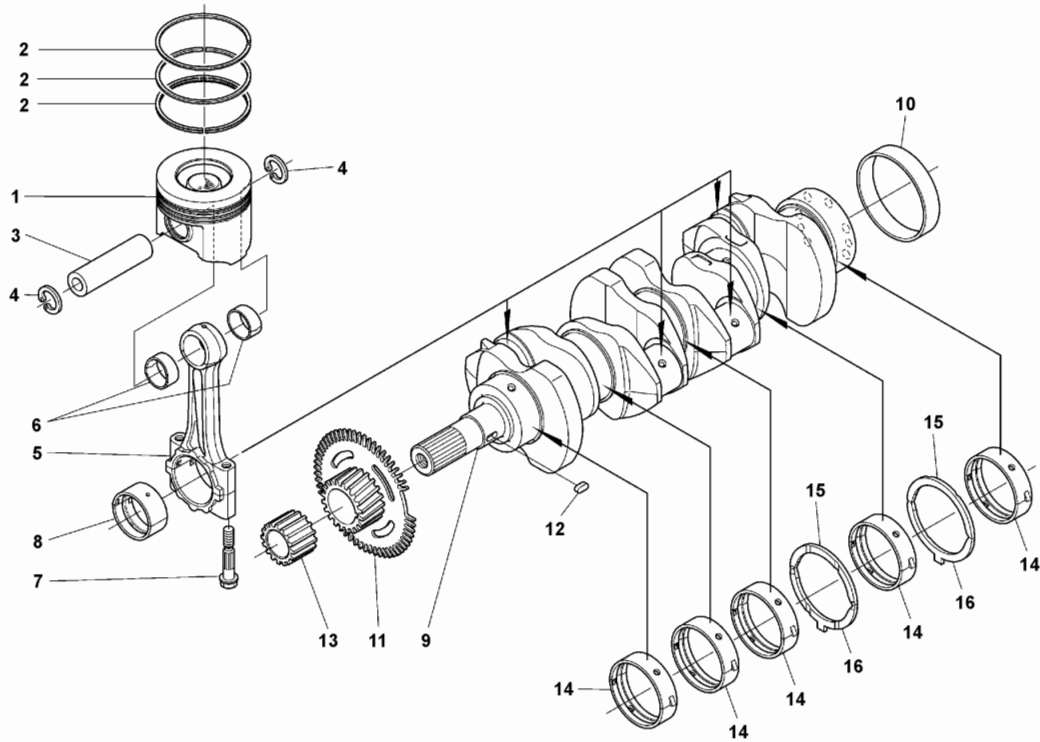
Volvo Construction  
Equipment  
1067786

Section option	Kit	Option description
VOE16209632		Engine D3.8H ST. IIIB EU

Pos	Part	Q1	Q2	Q3	Q4	Q5	PS	Kit	Description	Option(s)	Remark
1	VOE16659283	8							Tappet		
2	VOE16670222	8							Push rod		
3	VOE16672710	1							Camshaft		
4	VOE16668658	1							•Ball		
5	VOE16672714	1							•Gear		
6	VOE16668630	1							•Shaft key		
7		1					NS		•Lock plate		
8	VOE16668235	2							Bolt		
9		1					NS		Shaft		
10	VOE16670437	1							Pin		
11	VOE16670431	1							Collar		
12	VOE16670434	1							Collar		
13	VOE16660815	3							Bolt		



Date: <b>4/15/2025</b>	Image id: <b>1066158</b>	Catalogue: <b>20689</b>	Model: <b>BL61B</b>
Brand: <b>Volvo</b>	Serial: <b>230101-</b>	Group/Section: <b>216/100</b>	Title: <b>Crankshaft and related parts 16209632</b>



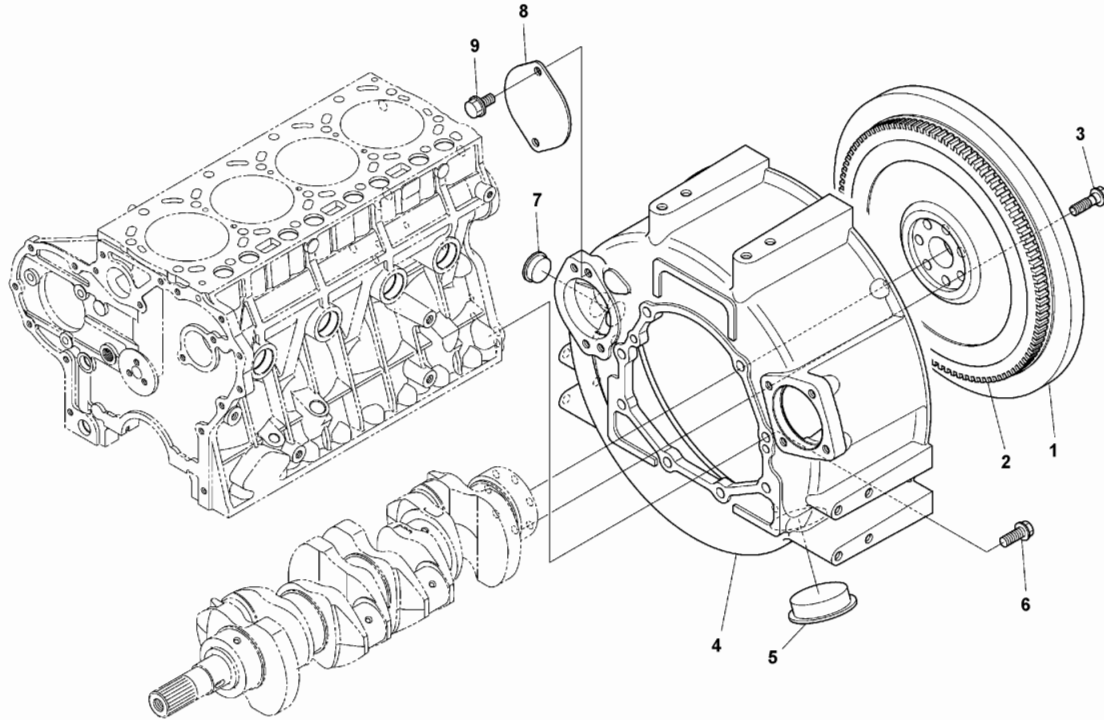
Volvo Construction  
Equipment  
1066158

Section option	Kit	Option description
VOE16209632		Engine D3.8H ST. IIIB EU

Pos	Part	Q1	Q2	Q3	Q4	Q5	PS	Kit	Description	Option(s)	Remark
1	VOE16672728	4					SS		Piston		STD
1	VOE16672731	4					SS		Piston		+0.50mm
2	VOE16672199	4							Piston ring		STD
2	VOE16672205	4							Piston ring		+0.50mm
3	VOE16670234	4							Gudgeon pin		
4	VOE16668352	8							Circlip plier		
5	VOE16672735	4							Connecting rod		
6	VOE16672733	8							•Bushing		
7	VOE16670241	8							•Bolt		
8	VOE16671316	4							•Bearing shell		STD/BLUE/SET
8	VOE16671333	4							•Bearing shell		STD/SET
8	VOE16671337	4							•Bearing shell		-0.20mm/GREEN/SET
8	VOE16671348	4							•Bearing shell		-0.40mm/RED/SET

9	VOE16671557	1							Crankshaft		
10	VOE16670250	1							•Sleeve		
11	VOE16671479	1							Gear		
12	VOE16668627	1							Shaft key		
13	VOE16671563	1							Oil pump drive		
14	VOE16671366	5							Bearing shell		STD/SET
14	VOE16671383	5							Bearing shell		-0.20mm/SET
14	VOE16671385	5							Bearing shell		-0.40mm/SET
15	VOE16670263	2							Thrust washer		STD
15	VOE16670398	2							Thrust washer		+0.20mm
15	VOE16670401	2							Thrust washer		+0.40mm
16	VOE16670267	2							Thrust washer		STD
16	VOE16670403	2							Thrust washer		+0.20mm
16	VOE16670406	2							Thrust washer		+0.40mm

Date: <b>4/15/2025</b>	Image id: <b>1067787</b>	Catalogue: <b>20689</b>	Model: <b>BL61B</b>
Brand: <b>Volvo</b>	Serial: <b>230101-</b>	Group/Section: <b>216/150</b>	Title: <b>Flywheel 16209632</b>

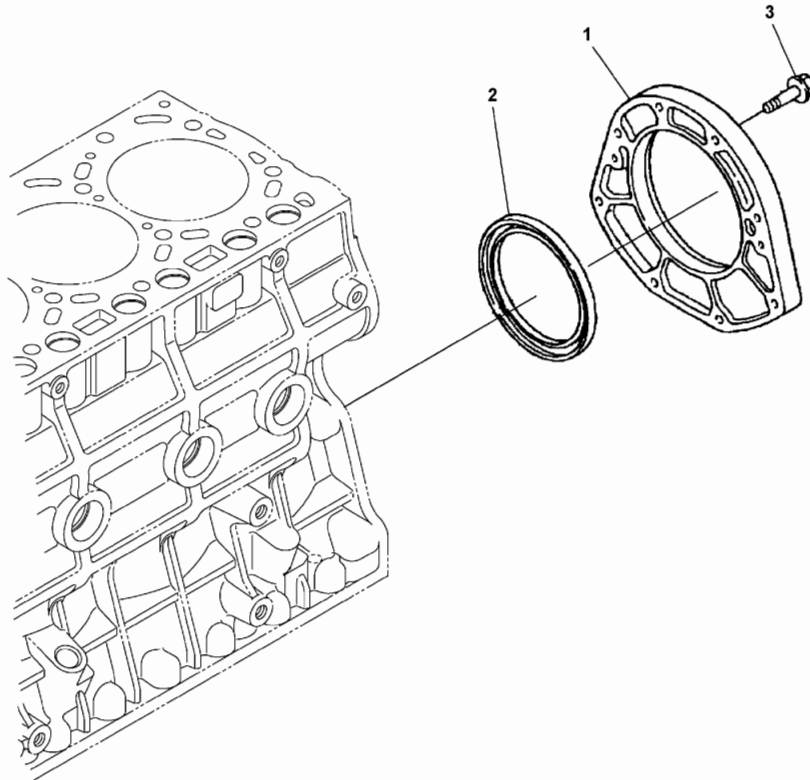


Volvo Construction  
Equipment  
1067787

Section option	Kit	Option description
VOE16209632		Engine D3.8H ST. IIIB EU

Pos	Part	Q1	Q2	Q3	Q4	Q5	PS	Kit	Description	Option(s)	Remark
1	VOE16671934	1							Flywheel		
2	VOE16671657	1							•Gear		
3	VOE16669670	7							Bolt		
4		1					NS		Flywheel housing		
5		1					NS		•Plug		
6	VOE16671659	8							Bolt		
7	VOE16659501	1							Cover		
8		1					NS		Cover		
9	VOE16668296	2							Bolt		

Date: <b>4/15/2025</b>	Image id: <b>1066160</b>	Catalogue: <b>20689</b>	Model: <b>BL61B</b>
Brand: <b>Volvo</b>	Serial: <b>230101-</b>	Group/Section: <b>216/200</b>	Title: <b>Bearing case cover 16209632</b>

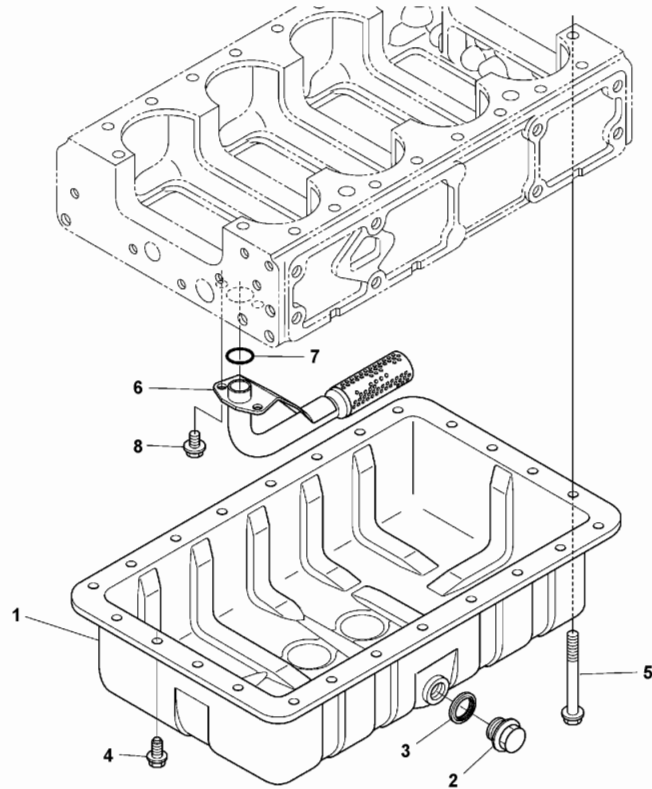


Volvo Construction  
Equipment  
1066160

Section option	Kit	Option description
VOE16209632		Engine D3.8H ST. IIIB EU

Pos	Part	Q1	Q2	Q3	Q4	Q5	PS	Kit	Description	Option(s)	Remark
1	VOE16670127	1							Cover		
2	VOE16668454	1							•Gasket		
3	VOE16660459	8							Bolt		

Date: <b>4/15/2025</b>	Image id: <b>1066152</b>	Catalogue: <b>20689</b>	Model: <b>BL61B</b>
Brand: <b>Volvo</b>	Serial: <b>230101-</b>	Group/Section: <b>217/100</b>	Title: <b>Oil sump 16209632</b>

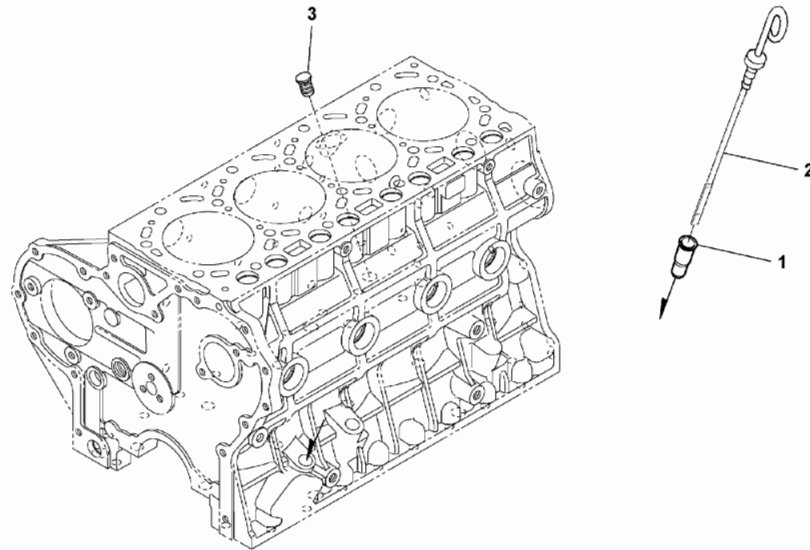


Volvo Construction  
Equipment  
1066152

Section option	Kit	Option description
VOE16209632		Engine D3.8H ST. IIIB EU

Pos	Part	Q1	Q2	Q3	Q4	Q5	PS	Kit	Description	Option(s)	Remark
1	VOE16671252	1							Oil pan		
2	VOE17230228	1							Drain plug		
3	VOE16668443	1							Gasket		
4	VOE16671186	20							Bolt		
5	VOE16668290	4							Bolt		
6	VOE16672656	1							Oil strainer		
7	VOE16668585	1							O-ring		
8	VOE16660409	2							Bolt		

Date: <b>4/15/2025</b>	Image id: <b>1067784</b>	Catalogue: <b>20689</b>	Model: <b>BL61B</b>
Brand: <b>Volvo</b>	Serial: <b>230101-</b>	Group/Section: <b>217/200</b>	Title: <b>Oil dipstick 16209632</b>

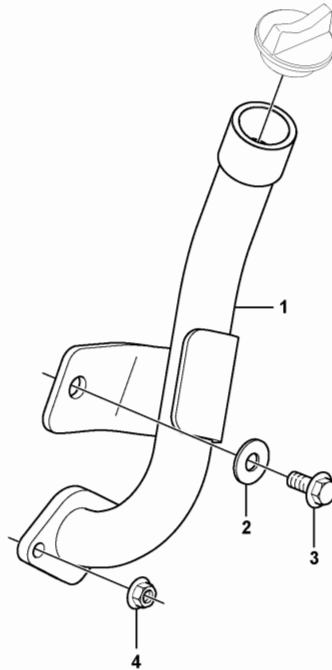


Volvo Construction  
Equipment  
1067784

Section option	Kit	Option description
VOE16209632		Engine D3.8H ST. IIIB EU

Pos	Part	Q1	Q2	Q3	Q4	Q5	PS	Kit	Description	Option(s)	Remark
1	VOE16670484	1							Guide		
2	VOE16671652	1							Gauge		
3	VOE16659071	1							Plug		

Date: <b>4/15/2025</b>	Image id: <b>1071309</b>	Catalogue: <b>20689</b>	Model: <b>BL61B</b>
Brand: <b>Volvo</b>	Serial: <b>230101-</b>	Group/Section: <b>217/300</b>	Title: <b>Oil filler 11895692</b>

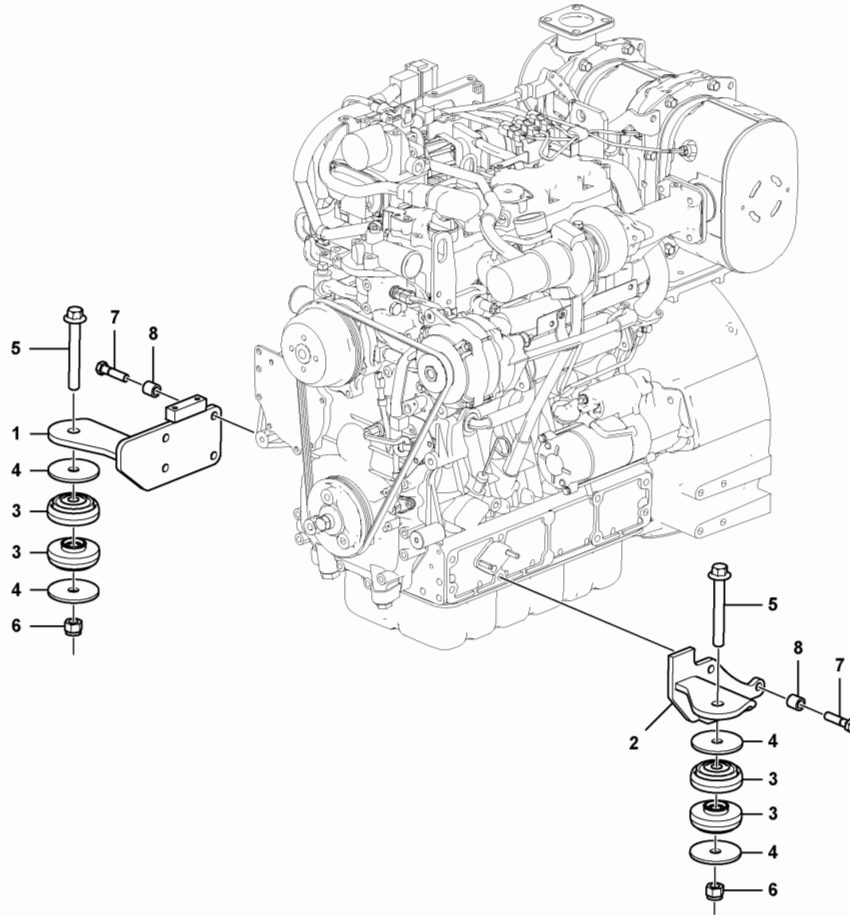


Volvo Construction  
Equipment  
1071309

Section option	Kit	Option description
VOE11895692		Engine Installation D3.8H ST. IIIB EU

Pos	Part	Q1	Q2	Q3	Q4	Q5	PS	Kit	Description	Option(s)	Remark
1	VOE16224627	1							Oil filler pipe		
2	VOE60113311	1							Washer		(VOE13960143)
3	VOE979708	1							Flange screw		
4	VOE60113167	2							Flange lock nut		(VOE948645)

Date: <b>4/15/2025</b>	Image id: <b>1067863</b>	Catalogue: <b>20689</b>	Model: <b>BL61B</b>
Brand: <b>Volvo</b>	Serial: <b>230101-</b>	Group/Section: <b>218/100</b>	Title: <b>Engine mounting 11895685, 11895686</b>

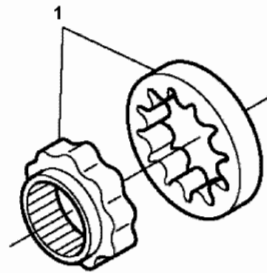


Volvo Construction  
Equipment  
1067863

Section option	Kit	Option description
VOE11895685		Transmission 4wd powershuttle
VOE11895686		Transmission 4wd powershift

Pos	Part	Q1	Q2	Q3	Q4	Q5	PS	Kit	Description	Option(s)	Remark
1	VOE16273635	1							Engine anchorage		
2	VOE16220036	1							Engine anchorage		
3	VOE15604957	4							Engine suspension		
4	VOE11884792	4							Washer		
5	VOE60113134	2							Flange screw		(VOE968593)
6	VOE13963110	2							Lock nut		
7	VOE60113356	7							Hexagon screw		(VOE15604682)
8	VOE16208762	7							Spacer		

Date: <b>4/15/2025</b>	Image id: <b>1119113</b>	Catalogue: <b>20689</b>	Model: <b>BL61B</b>
Brand: <b>Volvo</b>	Serial: <b>230101-</b>	Group/Section: <b>221/100</b>	Title: <b>Oil pump 16209632</b>

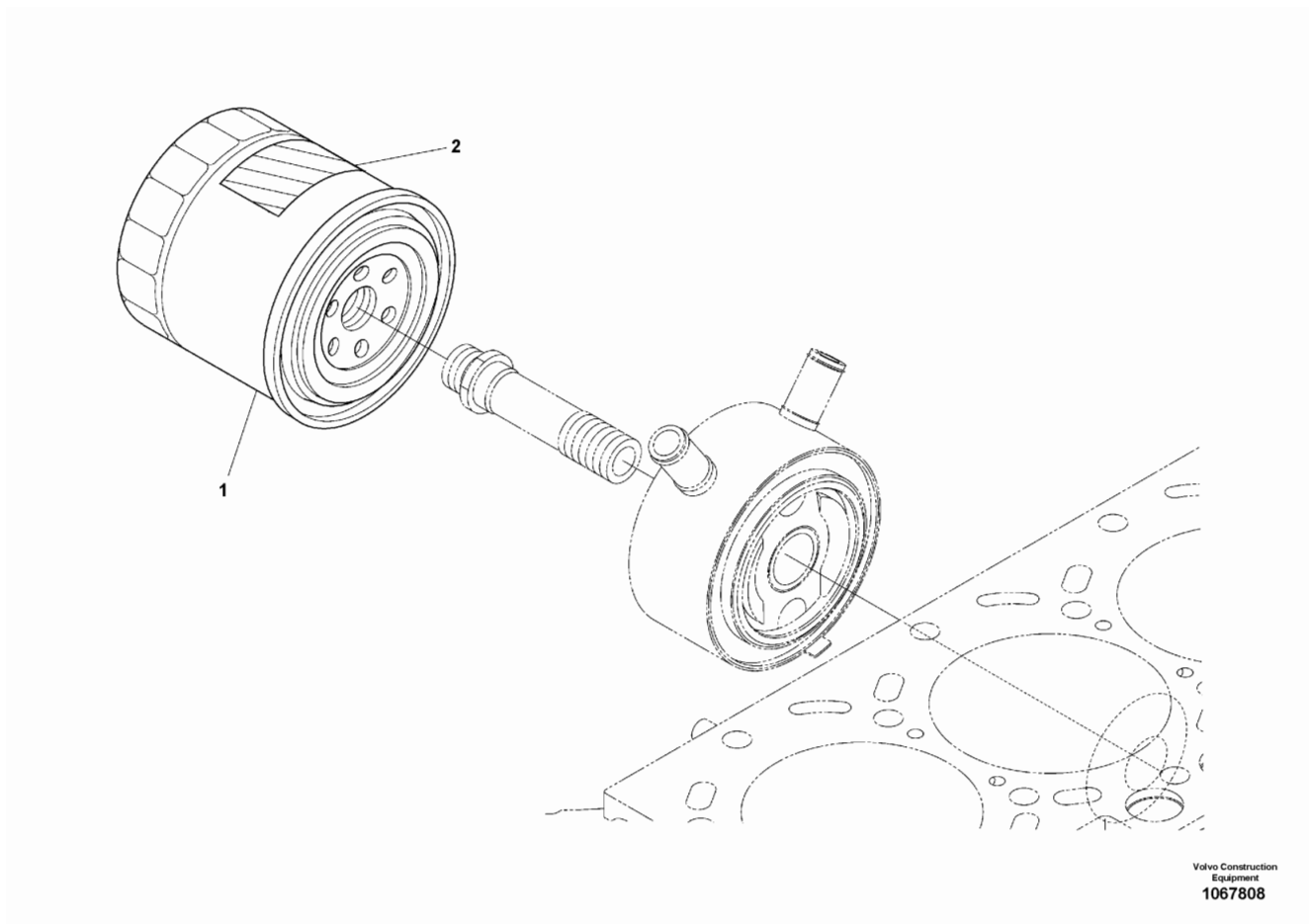


Volvo Construction  
Equipment  
1119113

Section option	Kit	Option description
VOE16209632		Engine D3.8H ST. IIIB EU

Pos	Part	Q1	Q2	Q3	Q4	Q5	PS	Kit	Description	Option(s)	Remark
1	VOE16670458	1							Rotor		

Date: <b>4/15/2025</b>	Image id: <b>1067808</b>	Catalogue: <b>20689</b>	Model: <b>BL61B</b>
Brand: <b>Volvo</b>	Serial: <b>230101-</b>	Group/Section: <b>222/100</b>	Title: <b>Oil filter 16209632</b>

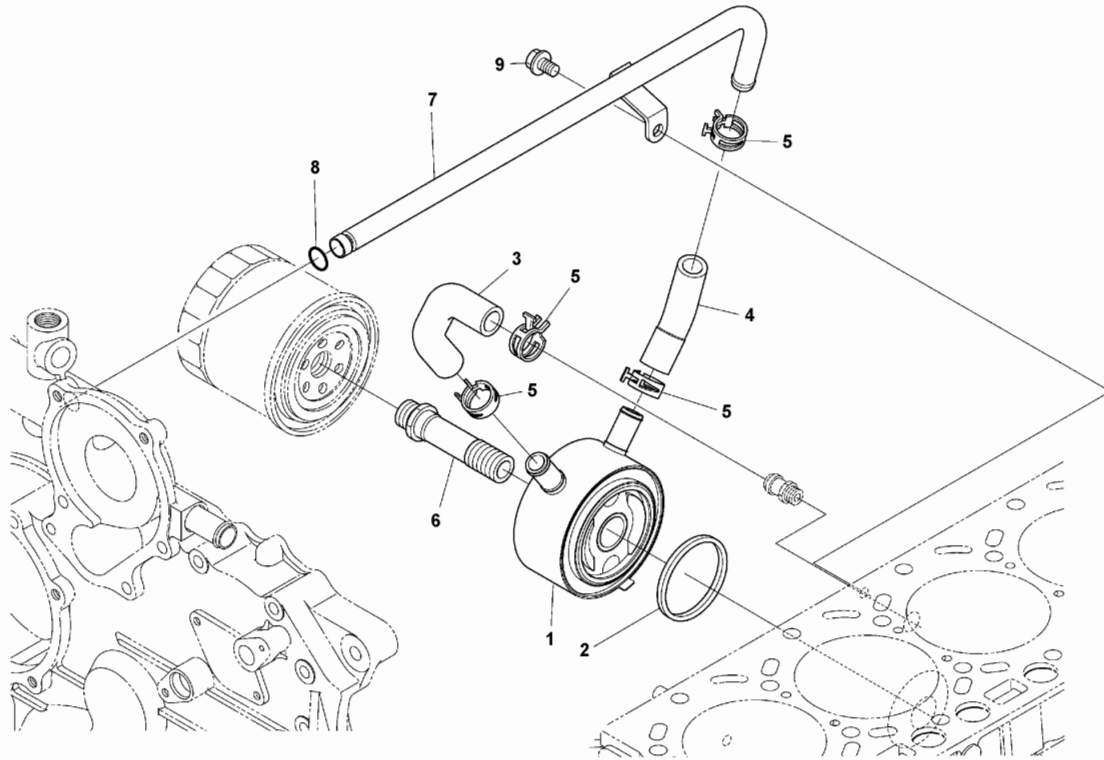


Volvo Construction  
Equipment  
1067808

Section option	Kit	Option description
VOE16209632		Engine D3.8H ST. IIIB EU

Pos	Part	Q1	Q2	Q3	Q4	Q5	PS	Kit	Description	Option(s)	Remark
1	RM43977461	1					SS		Oil filter		
2		1					NS		Label		

Date: <b>4/15/2025</b>	Image id: <b>1067807</b>	Catalogue: <b>20689</b>	Model: <b>BL61B</b>
Brand: <b>Volvo</b>	Serial: <b>230101-</b>	Group/Section: <b>223/100</b>	Title: <b>Oil cooler 16209632</b>

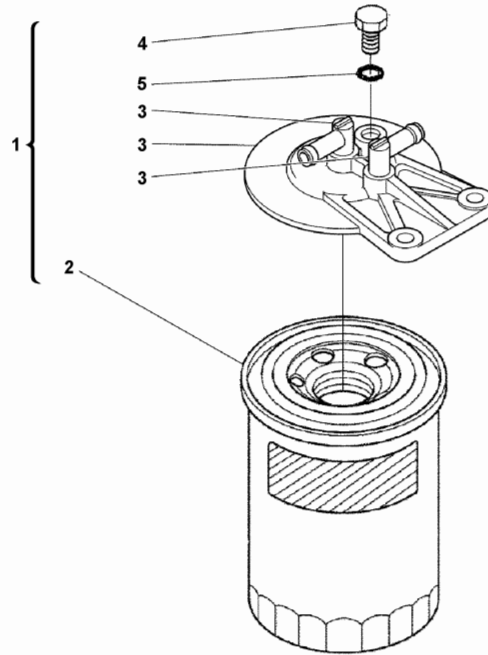


Volvo Construction  
Equipment  
1067807

Section option	Kit	Option description
VOE16209632		Engine D3.8H ST. IIIB EU

Pos	Part	Q1	Q2	Q3	Q4	Q5	PS	Kit	Description	Option(s)	Remark
1	VOE17248706	1							Oil cooler		
2	VOE16669718	1							•Gasket		
3	VOE16672575	1							Hose		
4	VOE16672581	1							Hose		
5	VOE16668745	4							Clamp		
6	VOE16672214	1							Joint		
7		1					NS		Pipe		
8	VOE16668602	1							O-ring		
9	VOE16660409	1							Bolt		

Date: <b>4/15/2025</b>	Image id: <b>1066163</b>	Catalogue: <b>20689</b>	Model: <b>BL61B</b>
Brand: <b>Volvo</b>	Serial: <b>230101-</b>	Group/Section: <b>233/200</b>	Title: <b>Fuel filter 16209632</b>

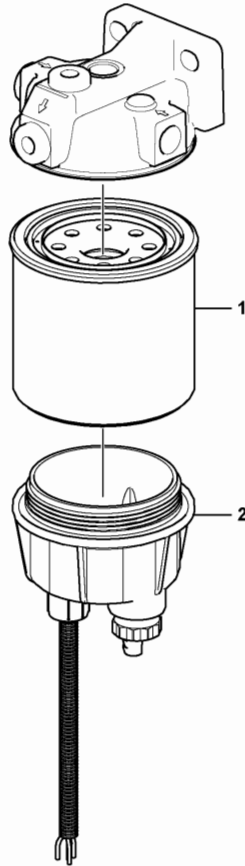


Volvo Construction  
Equipment  
1066163

Section option	Kit	Option description
VOE16209632		Engine D3.8H ST. IIIB EU

Pos	Part	Q1	Q2	Q3	Q4	Q5	PS	Kit	Description	Option(s)	Remark
1	VOE22568176	1					SS		Fuel filter		(VOE16671938)
2	VOE16668474	1					SS		•Fuel filter		
3	VOE17259407	1							•Fuel filter housing		
4	VOE17399946	1							••Bolt		
5	VOE16671578	1							••Gasket		

Date: <b>4/15/2025</b>	Image id: <b>1067665</b>	Catalogue: <b>20689</b>	Model: <b>BL61B</b>
Brand: <b>Volvo</b>	Serial: <b>230101-</b>	Group/Section: <b>233/300</b>	Title: <b>Water separator.</b>

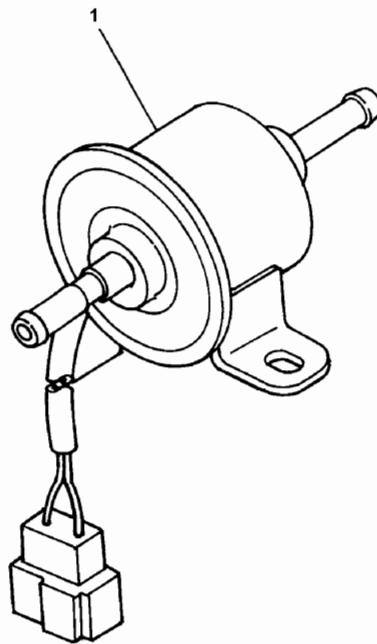


Volvo Construction  
Equipment  
1067665

Section option	Kit	Option description
VOE11892018		Backhoe loader BL61B, BT4

Pos	Part	Q1	Q2	Q3	Q4	Q5	PS	Kit	Description	Option(s)	Remark
	VOE17215020	1							Water separator		
1	VOE17201956	1							•Filter cartridge		
2	VOE17201959	1							•Bowl		
2	VOE54707565	1							••Sensor		

Date: <b>4/15/2025</b>	Image id: <b>1067783</b>	Catalogue: <b>20689</b>	Model: <b>BL61B</b>
Brand: <b>Volvo</b>	Serial: <b>230101-</b>	Group/Section: <b>233/400</b>	Title: <b>Fuel pump 16209632</b>

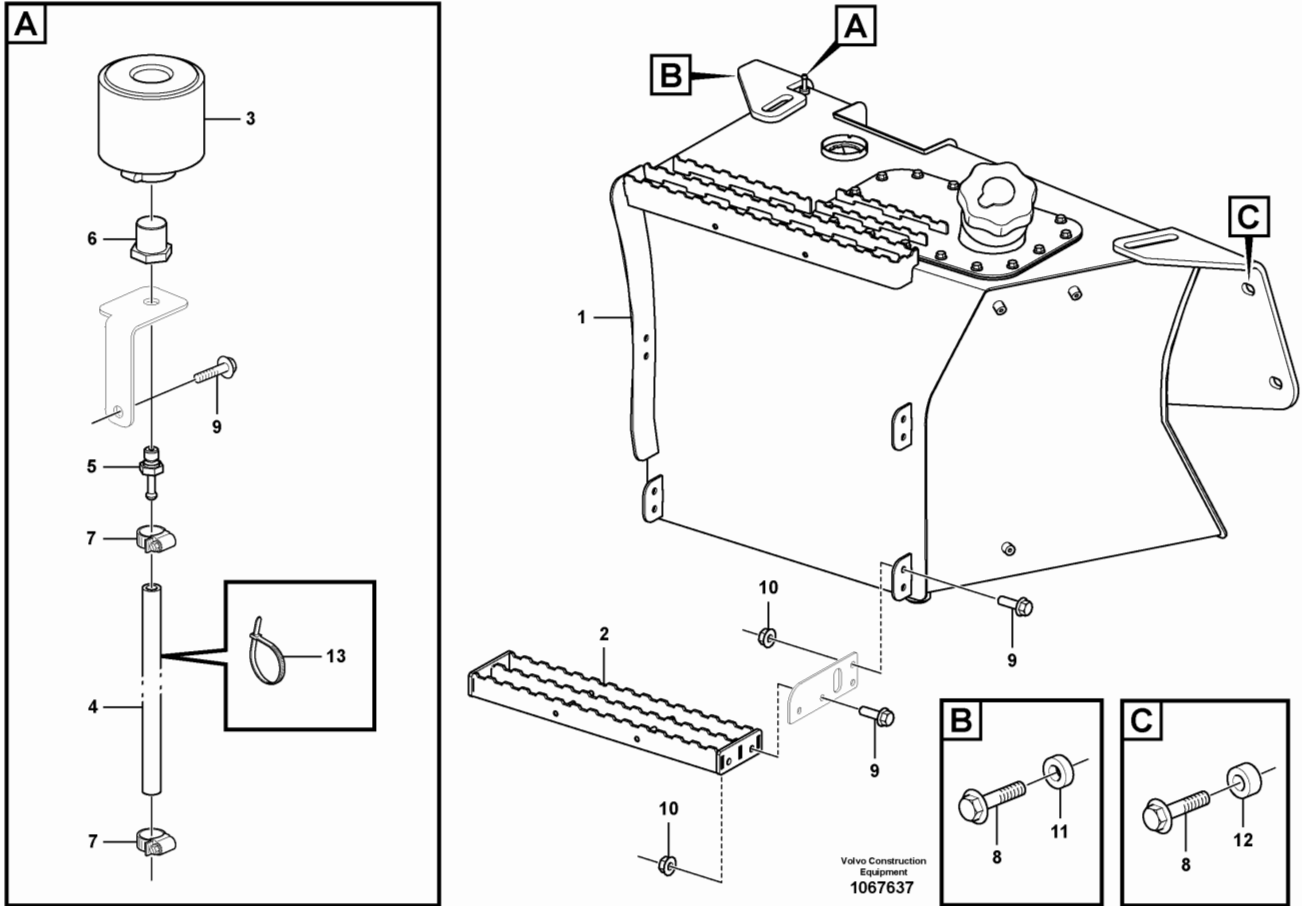


Volvo Construction  
Equipment  
1067783

Section option	Kit	Option description
VOE16209632		Engine D3.8H ST. IIIB EU

Pos	Part	Q1	Q2	Q3	Q4	Q5	PS	Kit	Description	Option(s)	Remark
1	VOE17224270	1					SS		Fuel pump		REMAN VOE9022437050

Date: <b>4/15/2025</b>	Image id: <b>1067637</b>	Catalogue: <b>20689</b>	Model: <b>BL61B</b>
Brand: <b>Volvo</b>	Serial: <b>230101-</b>	Group/Section: <b>234/100</b>	Title: <b>Fuel tank with fitting parts</b>



Section option	Kit	Option description
VOE11892018		Backhoe loader BL61B, BT4

Pos	Part	Q1	Q2	Q3	Q4	Q5	PS	Kit	Description	Option(s)	Remark
1	VOE15674204	1							Fuel tank		See ref 234/200
2	VOE16205426	2							Footstep		
3	VOE11172907	1							Air filter		
4	VOE11024720	REQ							Plastic hose		L = 892 mm
5	VOE949221	1							Hose nipple		
6	VOE4854955	1							Nipple		
7	VOE943469	2							Hose clamp		
8	VOE60113128	4							Flange screw		(VOE968297)
9	VOE60113081	17							Flange screw		(VOE13945444)
10	VOE60113167	16							Flange lock nut		(VOE948645)
11	VOE16244227	2							Spacer ring		
12	VOE16244222	2							Spacer ring		
13	VOE4881440	2							Cable tie		