

Product: Volvo A20C Articulated Haulers Parts Catalog Manual  
Full Download: <https://www.arepairmanual.com/downloads/volvo-a20c-articulated-haulers-parts-catalog-manual/>

# **Volvo A20C Articulated Haulers Parts Manual**

Sample of manual. Download All 522 pages at:  
<https://www.arepairmanual.com/downloads/volvo-a20c-articulated-haulers-parts-catalog-manual/>

97791 A20C Volvo 3052-5000

ARTICULATED HAULER VOLVO A20C

BASIC MACHINE

PROD NO 37205 6x6, SER NO 3052 -

CAB

PROD NO 37206, SER NO - 3100

PROD NO 37207, SER NO 3101 -

PROD NO 37211, SER NO - 3100, Replacement version

PROD NO 37212, SER NO 3101 -, Replacement version

HYDRAULIC TRANSMISSION

Part No 11051106

DROP BOX

PROD NO 30898, FL650D

DRIVING AXLE

PROD NO 23549, AH54E, front axle

PROD NO 23761, AH54X, front axle

PROD NO 23537, AH54C, rear axle 1

PROD NO 23762, AH54Y, rear axle 1

PROD NO 23912, AH56H, rear axle 1

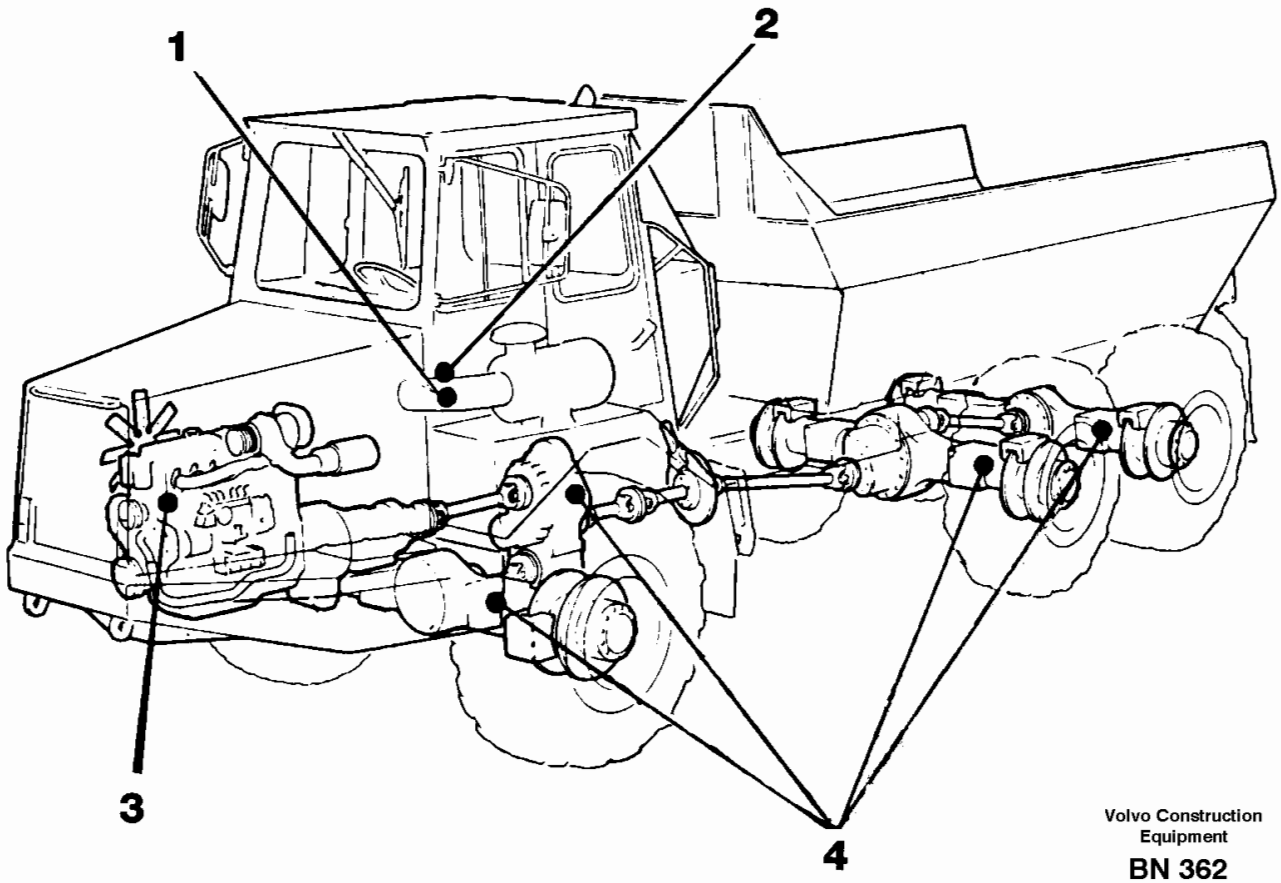
PROD NO 23538, AH54D, rear axle 2

PROD NO 23763, AH54X, rear axle 2

ENGINE

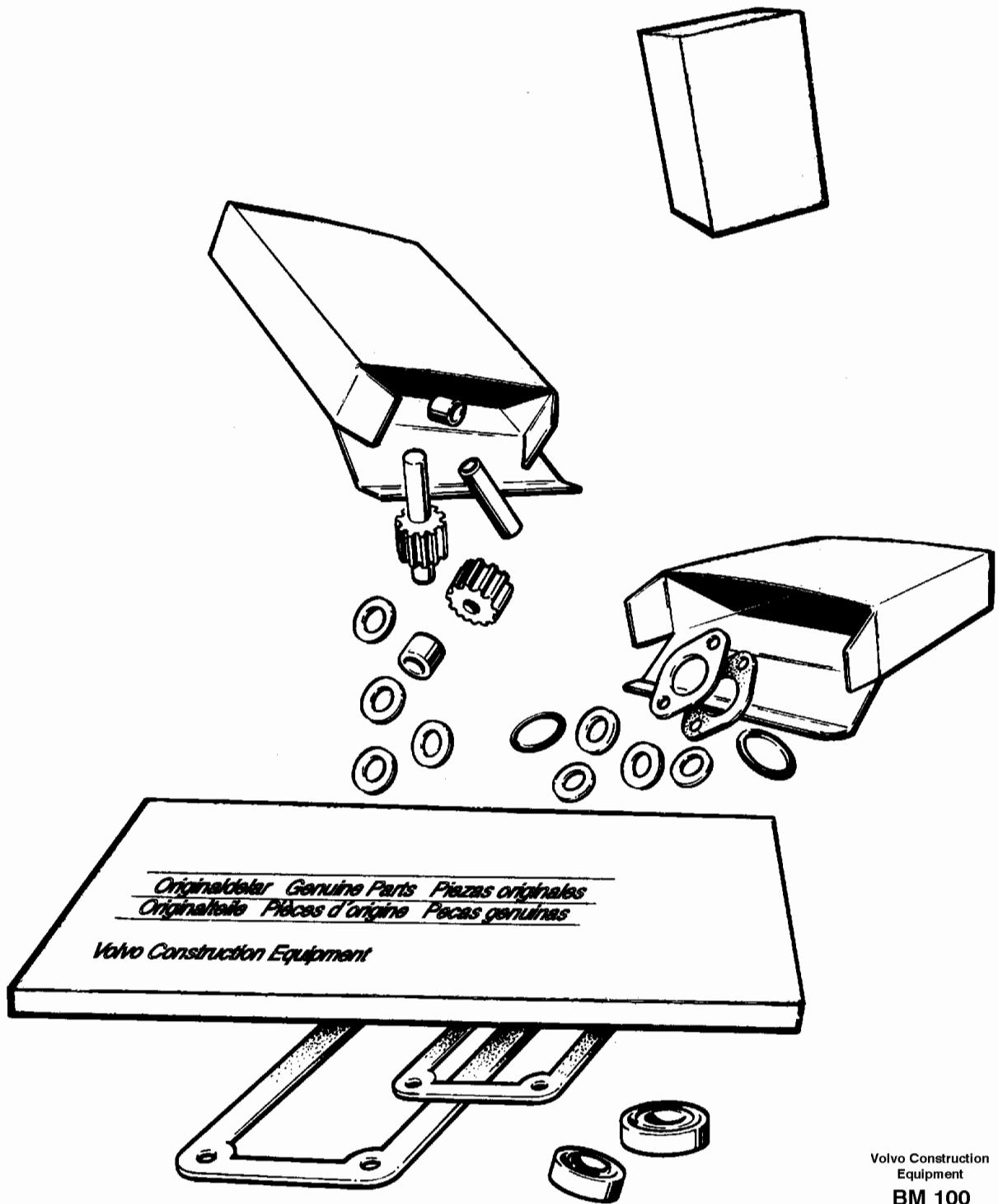
Part No 8188121, type TD73KFE

Date: <b>11/20/2023</b>	Image id: <b>BN362</b>	Catalogue: <b>97791</b>	Model: <b>A20C</b>
Brand: <b>Volvo</b>	Serial: <b>3052-5000</b>	Group/Section: <b>030/100</b>	Title: <b>Product identification plate</b>



Pos	Part	Q1	Q2	Q3	Q4	Q5	PS	Kit	Description	Option(s)	Remark
1									Product sign plate		
2									Driver's cab		
3									Engine sign plate		
4									Power Transmission		
4									Axle Number		

Date: <b>11/20/2023</b>	Image id: <b>BM100</b>	Catalogue: <b>97791</b>	Model: <b>A20C</b>
Brand: <b>Volvo</b>	Serial: <b>3052-5000</b>	Group/Section: <b>210/100</b>	Title: <b>Repair kits for engine</b>



Pos	Part	Q1	Q2	Q3	Q4	Q5	PS	Kit	Description	Option(s)	Remark
	VOE276816	2							Gasket kit		See ref 211/100
									Cylinder head		
		2					NS		•Gasket		

VOE465784	12							•Seal		
	12					NS		••Ring retainer		
	12					NS		••Sealing strip		
VOE422413	2							•Sealing ring		
	2					NS		••Ring retainer		
	2					NS		••Sealing strip		
VOE466421	16							•Sealing ring		
	16					NS		••Ring retainer		
	16					NS		••Sealing strip		
VOE276038	1					CS		De-carbonizing kit		
								For decarbonizing		
VOE471520	2							•Gasket		
VOE471637	2							•Sealing ring		
VOE471708	2							•Sealing ring		
VOE471788	1							•Sealing ring		
VOE471856	4							•Sealing ring		
VOE477059	2							•O-ring		
VOE1544710	1							•Sealing ring		
VOE477449	12							•Valve cap		
VOE21501189	12							•Valve stem seal		(VOE859171)
VOE11998685	1							Gasket kit		
								For inlet - exhaust		
VOE471650	6							•Gasket		
VOE862620	1							•Gasket		
VOE3829433	2							•Gasket		(VOE424612)
VOE1545109	6							•Sealing ring		
VOE421544	1							•Ring retainer		
VOE276130	6							Repair kit		See ref 211/100
								Sleeve,injector		
VOE477928	1							•Socket		
VOE466405	1							•Sealing ring		
VOE466420	1							•Ring		
VOE466922	1							•Sealing ring		
	6							Cylinder liner kit		See ref 213/100
	6							Sealing kit		See ref 213/100
								For cylinder liner		
	6							Piston ring kit		See ref 213/100
	6							Big end bearing kit		See ref 216/100
	7							Mn bearing kit		See ref 216/100





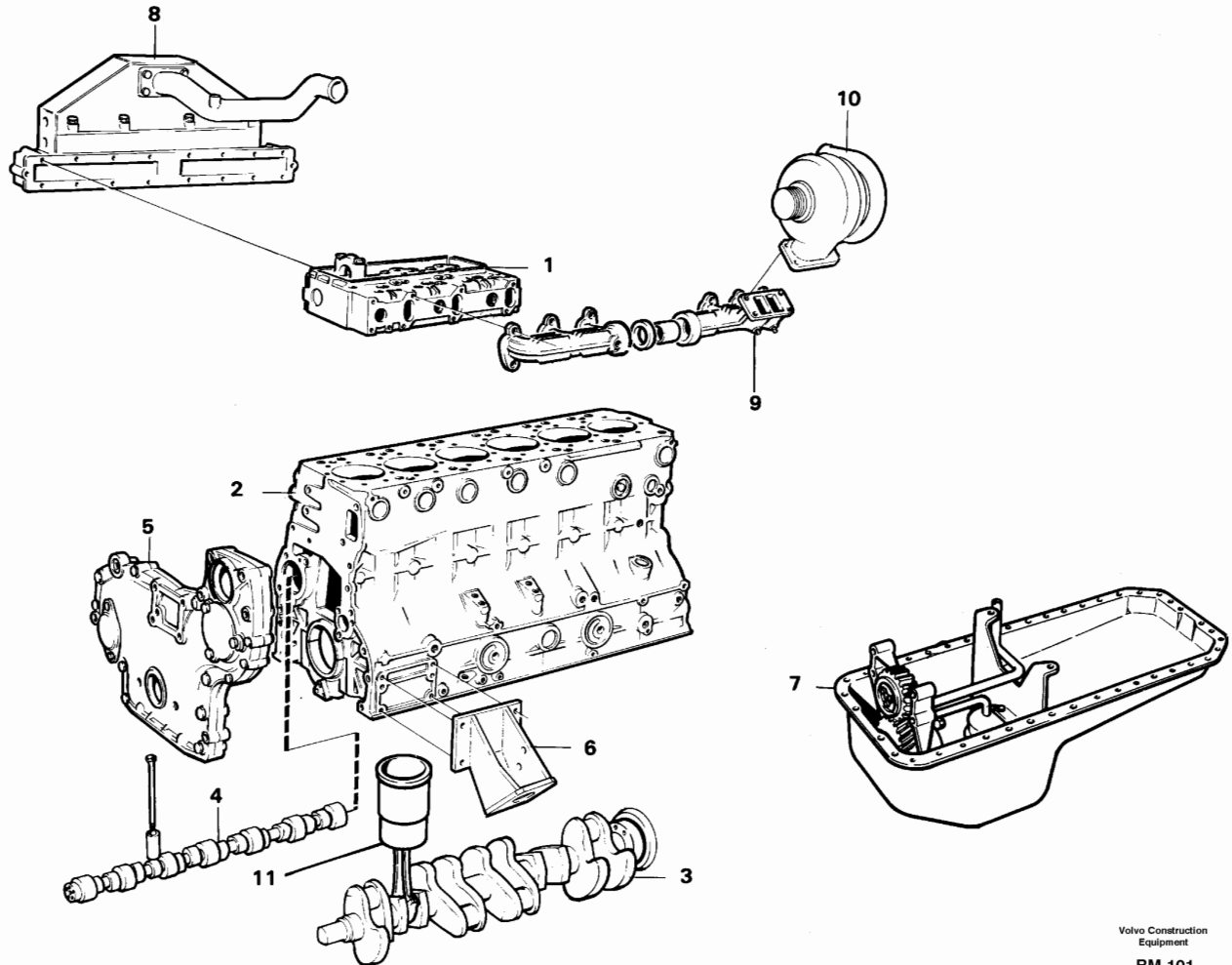
VOE276038	1						CS		•De-carbonizing kit		
VOE8149182	1								•Thermostat		(VOE1676306)
VOE3829433	2								•Gasket		(VOE424612)
VOE471650	6								•Gasket		
VOE420618	1								•Gasket		
VOE11997123	1						CS		Overhaul kit		See footnotes 1094), 1095)
VOE477657	6								•Valve seat		
VOE477659	6								•Valve seat		
VOE3978768	6								•Inlet valve		(VOE477447)
VOE477443	6						SS		•Exhaust valve		
VOE477792	12								•Valve guide		
VOE276130	6								•Repair kit		Nozzlesleeve/ Spridarhylsa
VOE11997124	1						CS		Overhaul kit		TD 73KFE, Stage2/Step 2 Etapa 2/Etape 2/ Etappe 2 ENG - 97292
VOE270115	6								•Big End Brg Kit		
VOE275641	6								•Cylinder liner kit		
VOE465815	12								•Screw		
VOE11030779	1								•Gasket		
VOE11997128	1						CS		Overhaul kit		TD 73KFE, Stage 3/Step 3 Etapa 3/Etape 3/ Etappe 3 ENG - 97292
VOE270432	7								•Main bearing kit		
VOE276754	1								•Thrust washer		
VOE477449	12								•Valve cap		
VOE11997123	1						CS		•Overhaul kit		
VOE276039	1								•Gasket kit		
VOE11704496	1						CS		Conversion kit		ENG 97293 -
VOE8192730	1						CS		•Cylinder block		See ref 212/100
VOE276894	7								•Main bearing		See ref 216/100
VOE276890	1								•Thrust washer		See ref 216/100
VOE8192698	12								•Push rod		See ref 215/100
VOE24424609	1						CS		•Crankshaft		(VOE8192695) See ref 216/100, REMAN VOE9008192695, VOE9024424609
VOE11032848	1								•Spacer		
VOE60110265	2								•Hexagon screw		(VOE980103)

452) Supplementary kit for major overhaul of engine.

1094) Add. kit for stage 1.

1095) Included in stage 3.

Date: <b>11/20/2023</b>	Image id: <b>BM101</b>	Catalogue: <b>97791</b>	Model: <b>A20C</b>
Brand: <b>Volvo</b>	Serial: <b>3052-5000</b>	Group/Section: <b>210/200</b>	Title: <b>Engine, assembly</b>

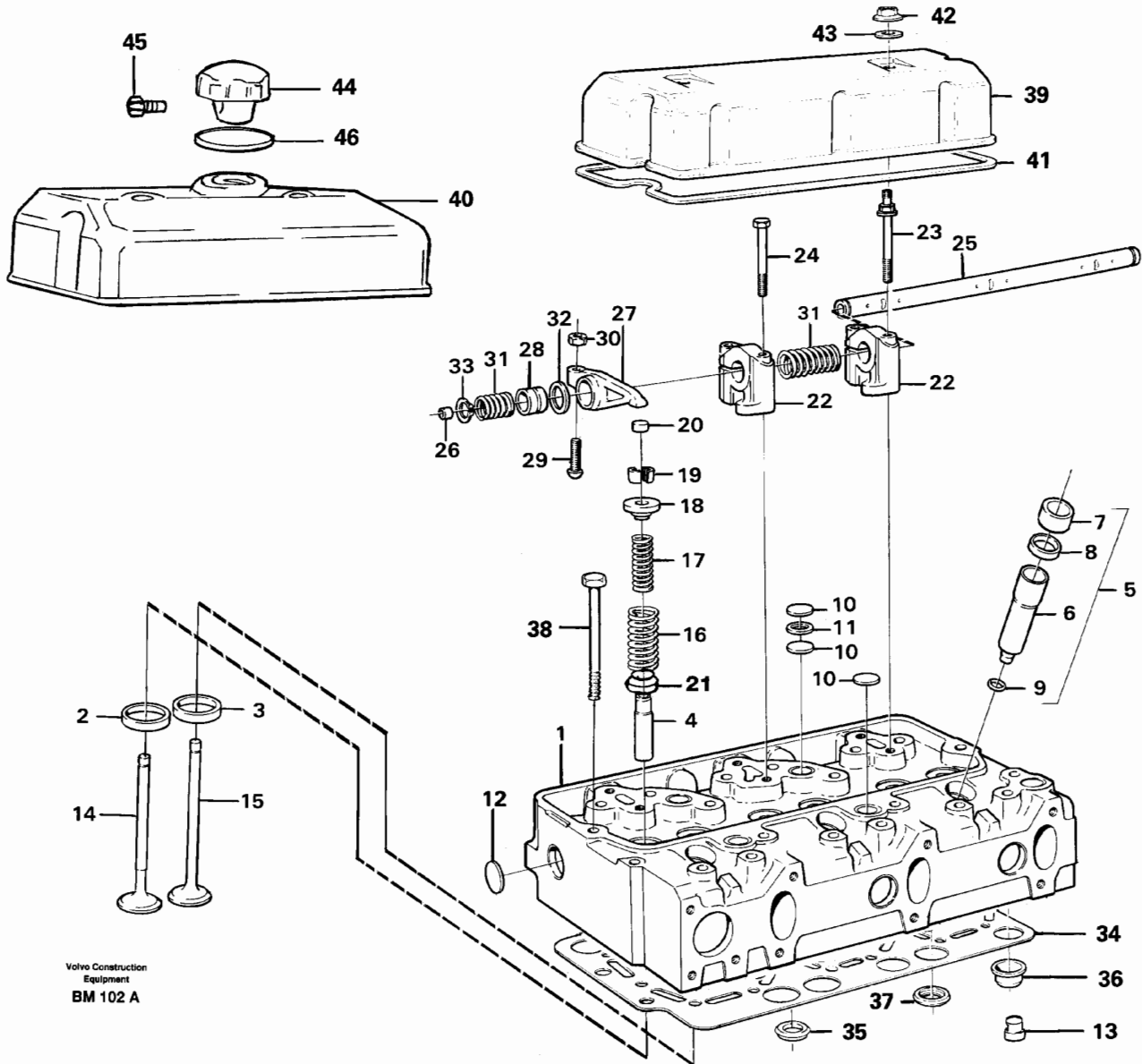


Volvo Construction  
Equipment  
BM 101

Pos	Part	Q1	Q2	Q3	Q4	Q5	PS	Kit	Description	Option(s)	Remark
	VOE15003926	1					CS		Engine		(VOE8188121), REMAN VOE9008188121, VOE9015003926, VOE9115003926 (CLASSIC)
1		2							Cylinder head		See ref 211/100
2		1							Cylinder block		See ref 212/100
3		1							Crankshaft		See ref 216/100
4		1							Camshaft		See ref 215/100
5		1							Timing gear casing		See ref 215/200
6		1							Engine mounting		See ref 218/100
7		1							Lubricating system		See ref 220/100
8		1							Inlet pipe		See ref 251/100
9		1							Exhaust pipe		See ref 251/200
10		1							Turbocharger		See ref 255/100

11		1							Cyl liner and piston		See ref 213/100
----	--	---	--	--	--	--	--	--	----------------------	--	-----------------

Date: <b>11/20/2023</b>	Image id: <b>BM102A</b>	Catalogue: <b>97791</b>	Model: <b>A20C</b>
Brand: <b>Volvo</b>	Serial: <b>3052-5000</b>	Group/Section: <b>211/100</b>	Title: <b>Cylinder head</b>



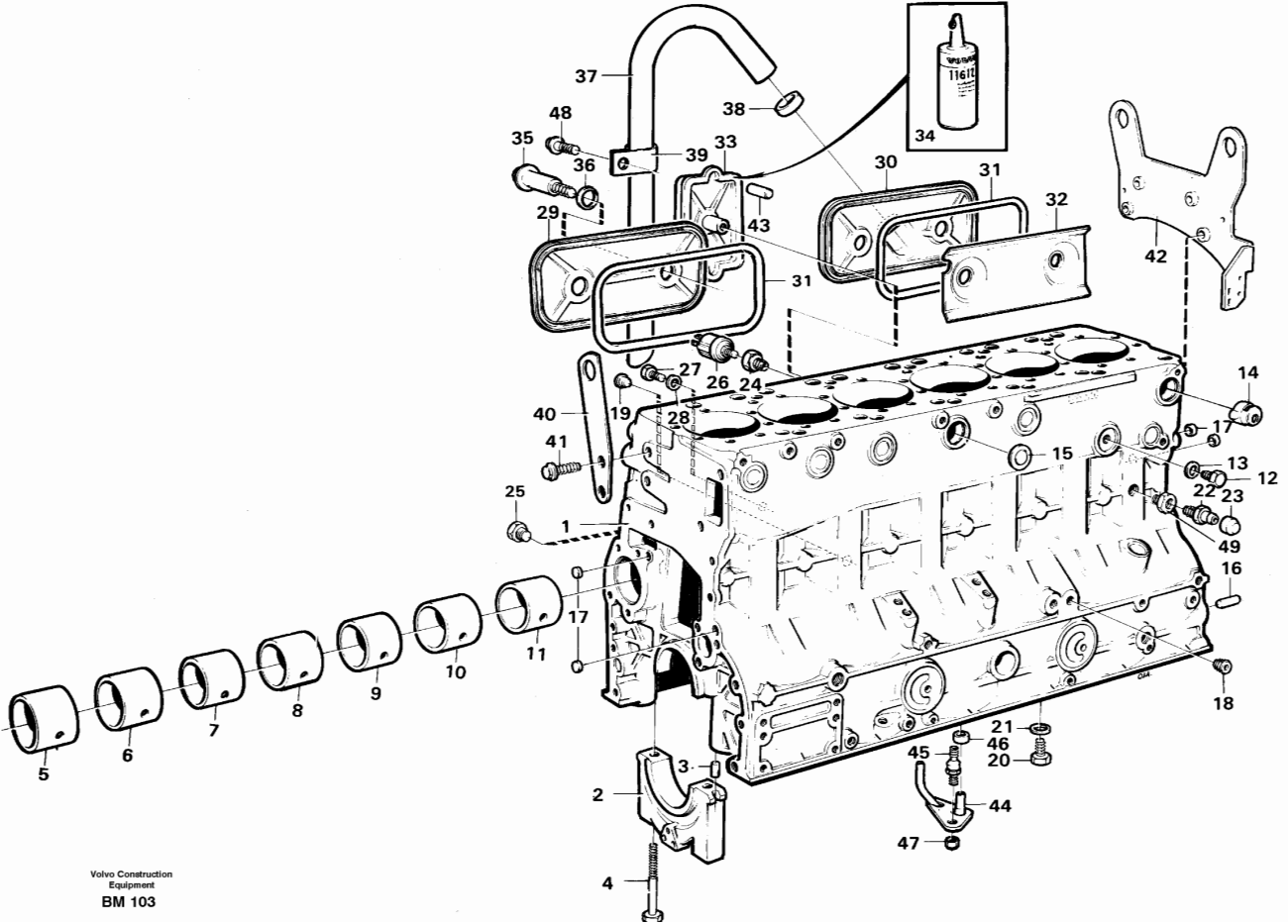
Q1-Q5	Option	Option description	
Q1 TD 73KFE			

Pos	Part	Q1	Q2	Q3	Q4	Q5	PS	Kit	Description	Option(s)	Remark
	VOE477797	1					CS		Cylinder head		See footnote 1) , REMAN VOE9000477797
1		1					NS		•Cylinder head		
2	VOE477657	3							••Valve seat		STD
	VOE477658	3					CS		••Valve seat		0,20 O SZ
3	VOE477659	3							••Valve seat		STD

	VOE477667	3					CS	••Valve seat		0,20 O SZ
4	VOE477792	6						••Valve guide		
5	VOE276130	3						••Repair kit		See footnote 183)
6	VOE477928	1						•••Socket		
7	VOE466420	1						•••Ring		
8	VOE466405	1						•••Sealing ring		
9	VOE466922	1						•••Sealing ring		
10	VOE477026	7						••Expansion plug		
11	VOE947626	4						••Gasket		
12	VOE477024	4						••Expansion plug		
13	VOE465420	5						••Nozzle		
14	VOE3978768	3						•Inlet valve		(VOE477447)
15	VOE477443	3					SS	•Exhaust valve		
16	VOE466384	6						•Valve spring		
17	VOE466383	6						•Valve spring		
18	VOE477451	6						•Valve washer		
19	VOE1677875	12						•Valve sleeve		
20	VOE477449	6						•Valve cap		
21	VOE21501189	6						•Valve stem seal		(VOE859171)
22	VOE477384	6					CS	Bearing Bracket		
23	VOE471512	4						Screw		
24	VOE471513	8						Screw		
25	VOE471518	2					CS	Rocker arm shaft		
26	VOE946778	4						•Cap plug		
27	VOE422063	12						Rocker arm		
28	VOE422066	6						•Bushing		
29	VOE422993	6					SS	•Bolt		
30	VOE940175	6						•Nut		
31	VOE421173	4					CS	Spring		
32	VOE941488	4						Washer		
33	VOE914459	4						Retaining ring		
	VOE276816	2						Gasket kit		
34		2					NS	•Gasket		
35	VOE465784	12						•Seal		
36	VOE466421	16						•Sealing ring		
37	VOE422413	2						•Sealing ring		
38	VOE471481	40						Screw		
39	VOE471426	1					CS	Valve cover		
40	VOE471813	1						Valve cover		
	VOE11033978	1					CS	Label		ENG 83165 -
41	VOE471520	2						Gasket		
42	VOE465961	4						Cap nut		
43	VOE471856	4						Sealing ring		
44	VOE421753	1						Filler cap		
45	VOE955126	1						•Cross recessed screw		
46	VOE1275379	1						Gasket		(VOE940096)

- 1) Replacement version
- 183) Parts making up a kit must always be replaced simultaneously.

Date: <b>11/20/2023</b>	Image id: <b>BM103</b>	Catalogue: <b>97791</b>	Model: <b>A20C</b>
Brand: <b>Volvo</b>	Serial: <b>3052-5000</b>	Group/Section: <b>212/100</b>	Title: <b>Cylinder block</b>



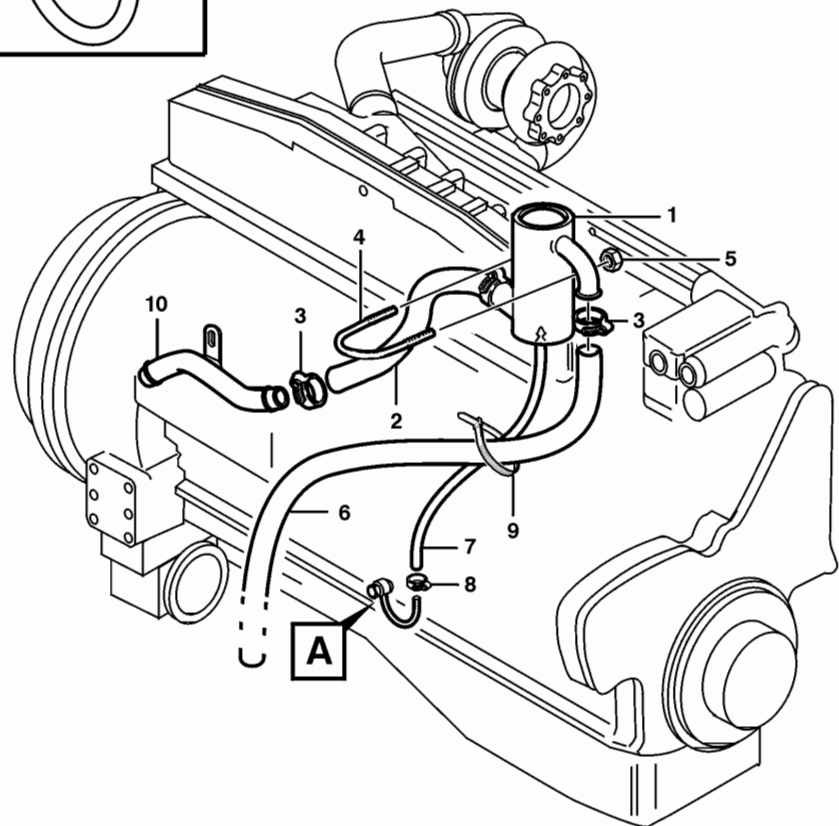
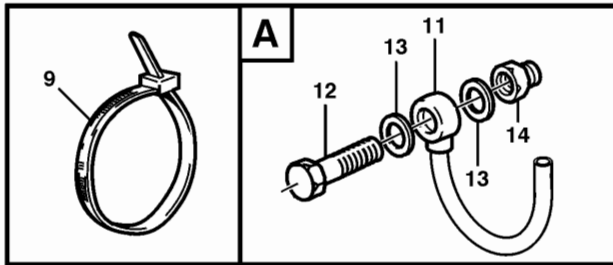
Q1-Q5	Option	Option description	
Q1 477990			
Q2 8192730			

Pos	Part	Q1	Q2	Q3	Q4	Q5	PS	Kit	Description	Option(s)	Remark
	VOE477990	1					CS		Cylinder block		ENG - 97292
	VOE8192730		1				CS		Cylinder block		ENG 97293 -
1		1					NS		•Cylinder block		
			1				NS		•Cylinder block		
2		1					NS		•Cap		MARKED: 1
		1					NS		•Cap		MARKED: 4
		5					NS		•Cap		MARKED: 2,3,5,6,7
			1				NS		•Cap		
			1				NS		•Cap		
			5				NS		•Cap		
3	VOE422426	1	1						•Pin		
4	VOE465899	14					CS		•Screw		

	VOE8192738		14				CS		•Screw		
5	VOE422076	1	1						•Bushing		
6	VOE422077	1	1						•Bushing		
7	VOE422078	1							•Bushing		
	VOE8192676		1						•Bushing		
8	VOE11000014	1							•Bushing		
	VOE8192677		1						•Bushing		
9	VOE422080	1							•Bushing		
	VOE8192678		1						•Bushing		
10	VOE422081	1							•Bushing		
	VOE8192679		1						•Bushing		
11	VOE422082	1	1						•Bushing		
12	VOE968145	1	1						•Plug		
13	VOE1556907	2	2						•Gasket		
14	VOE421154	6	6						•Nozzle		
15	VOE13968955	6	6						•Expansion plug		
16	VOE191171	2	2						•Pin		(VOE7191171)
17	VOE955082	6	6						•Cap plug		
18	VOE968145	1	1						•Plug		
19	VOE422369	2	2						•Plug		(VOE469328)
20	VOE13966146	1	1						Plug		
21	VOE13947629	1	1						Plane gasket		
22	VOE13947893	1	1				CS		Crane		ENG - 118474
	VOE997641	1	1						Shut-off Cock		(VOE949918)ENG 118475 -
23	VOE476279	1	1						Protecting cap		
24	VOE835980	1	1						Nipple		See ref 222/100
25	VOE479976	1	1						Plug		
26	VOE1606877	1	1						Switch		See ref 222/100
27	VOE4823676	1	1						Clutch		
28	VOE13947622	1	1						Plane gasket		
29	VOE420120	1	1				CS		Inspection lid		
30	VOE420121	1	1						Hatch		
31	VOE20591544	2	2						Gasket		(VOE421121)
32	VOE3978045	1	1				CS		Splash plate		(VOE471858)
33	VOE471854	1	1				CS		Cover		
34	VOE1161277	REQ	REQ						Sealant		
	VOE11713514	REQ	REQ						Sealant		(VOE1161231)
35	VOE471855	5	5						Screw		
36	VOE471856	5	5						Sealing ring		
37	VOE471857	1	1				CS		Pipe		ENG - 99116
			1						Tube assembly		ENG 99117 - See ref 212/150
38	VOE421158	1	1						Sealing ring		
39	VOE968124	1	1				CS		Clamp		
40		1	1				NS		Iron		
41	VOE13965191	2	2						Screw		

42	VOE11052054	1	1						Bracket		See ref 271/50
43	VOE951974	1	1						Spring pin		ENG - 118474
	VOE13951973	1	1						Spring pin		ENG 118475 -
44	VOE477437	6	6						Nozzle		
45	VOE471596	6	6						Stud		
46	VOE466874	6	6						Sealing ring		
47	VOE13948570	6	6						Lock nut		
48	VOE990861	1	1						Flange screw		(VOE946472)
49	VOE479954	1	1						Nipple		

Date: <b>11/20/2023</b>	Image id: <b>BM350A</b>	Catalogue: <b>97791</b>	Model: <b>A20C</b>
Brand: <b>Volvo</b>	Serial: <b>3052-5000</b>	Group/Section: <b>212/150</b>	Title: <b>Crankcase ventilation ENG 99117 -</b>

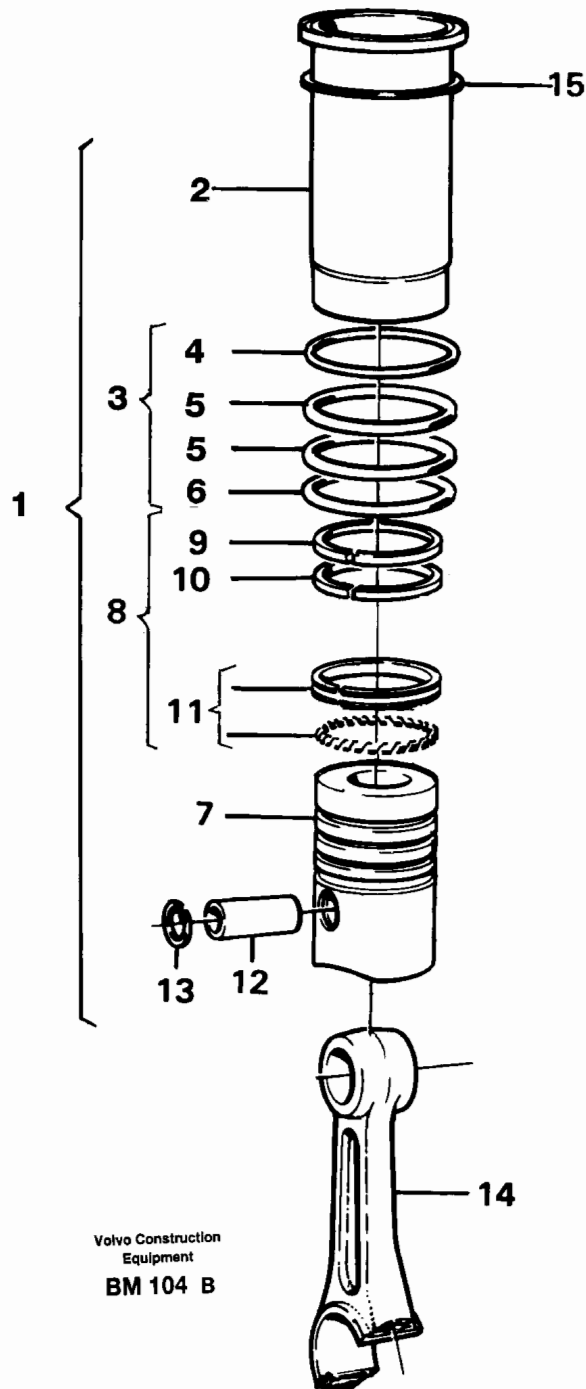


Volvo Construction  
Equipment  
**BM 350A**

Pos	Part	Q1	Q2	Q3	Q4	Q5	PS	Kit	Description	Option(s)	Remark
1	VOE11033878	1							Oil trap		
2	VOE941803	1							Hose		
3	VOE943476	3							Hose clamp		
4	VOE11062977	1							Brace		
5	VOE60113140	2							Flange nut		(VOE13945408)
6	VOE941799	1							Hose		L=1300MM
7	VOE943706	1							Rubber hose		L=720MM
8	VOE943470	2							Hose clamp		
9	VOE4881440	2							Cable tie		
10	VOE11063160	1					CS		Tube		
11	VOE11032097	1					CS		Pipe		

12	VOE968178	1							Hollow screw		
13	VOE13947282	2							Gasket		
14	VOE11032100	1					CS		Nipple		

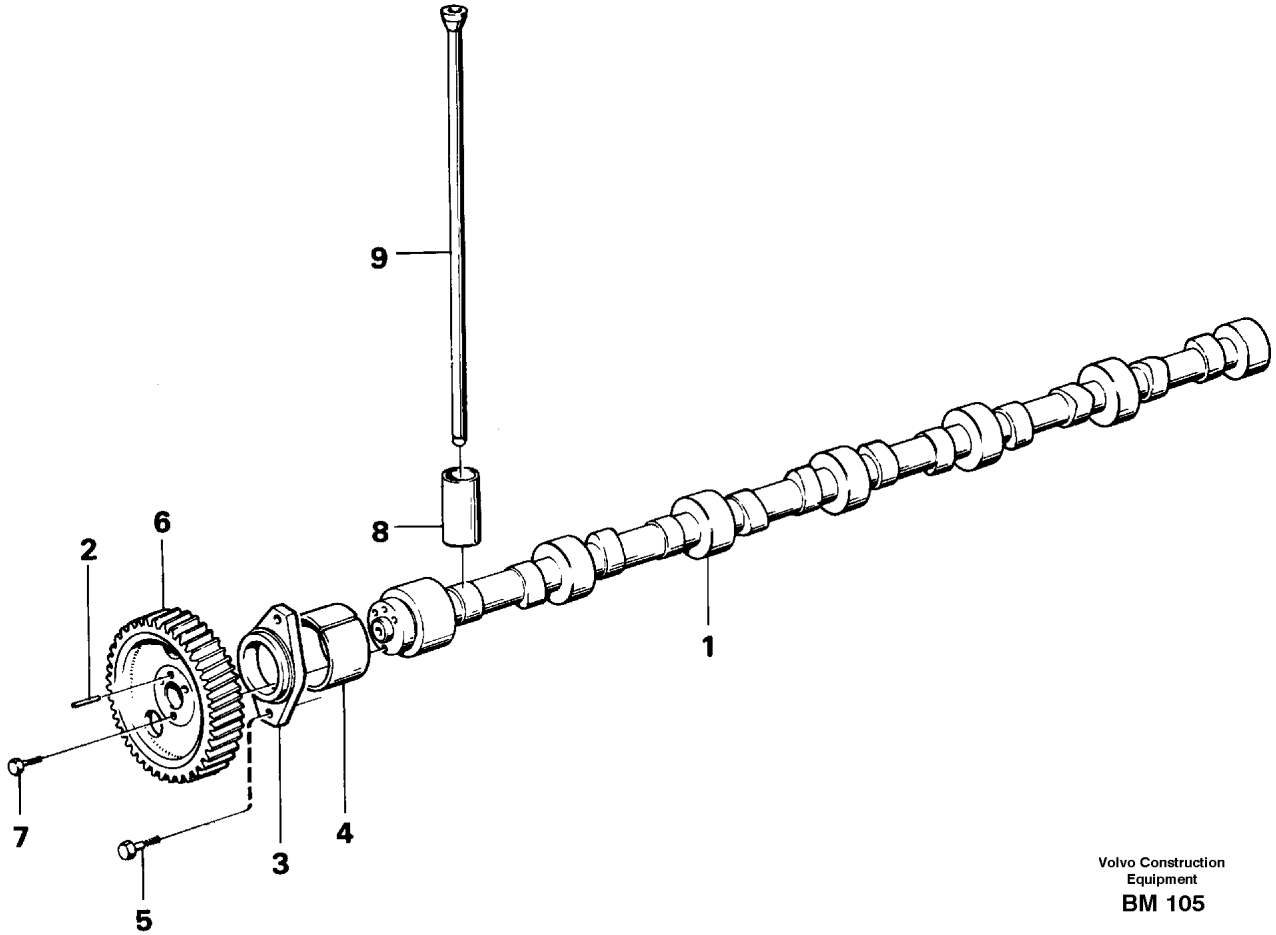
Date: <b>11/20/2023</b>	Image id: <b>BM104B</b>	Catalogue: <b>97791</b>	Model: <b>A20C</b>
Brand: <b>Volvo</b>	Serial: <b>3052-5000</b>	Group/Section: <b>213/100</b>	Title: <b>Cylinder liner and piston</b>



Q1-Q5	Option	Option description	
Q1 275641			
Q2 276900			

Pos	Part	Q1	Q2	Q3	Q4	Q5	PS	Kit	Description	Option(s)	Remark
1	VOE275641	6							Cylinder liner kit		ENG - 97292
	VOE276900		6						Cylinder liner kit		ENG 97293 -
2		6					NS		•Cylinder Liner		
			6				NS		•Cylinder Liner		
3	VOE271159	6	6						•Sealing ring kit		
4		6	6				NS		••Sealing ring		
5		12	12				NS		••Oil feed pipe		
6		6	6				NS		••Sealing ring		
7		6	6				NS		•Piston		
8	VOE276037	6	6						•Piston ring kit		
9		6	6				NS		••Compression ring		
10		6	6				NS		••Compression ring		
11		6	6				NS		••Oil ring		
12	VOE3978589	6	6						•Gudgeon pin		
13	VOE914525	12	12						•Retaining ring		
14		6	6						Connecting rod		See ref 216/100
15	VOE466878	REQ	REQ						Shim		THICK = 0.12 MM
	VOE466114	REQ	REQ						Shim		THICK = 0.20 MM
	VOE466183	REQ	REQ						Shim		THICK = 0.30 MM
	VOE466184	REQ	REQ						Shim		THICK = 0.50 MM

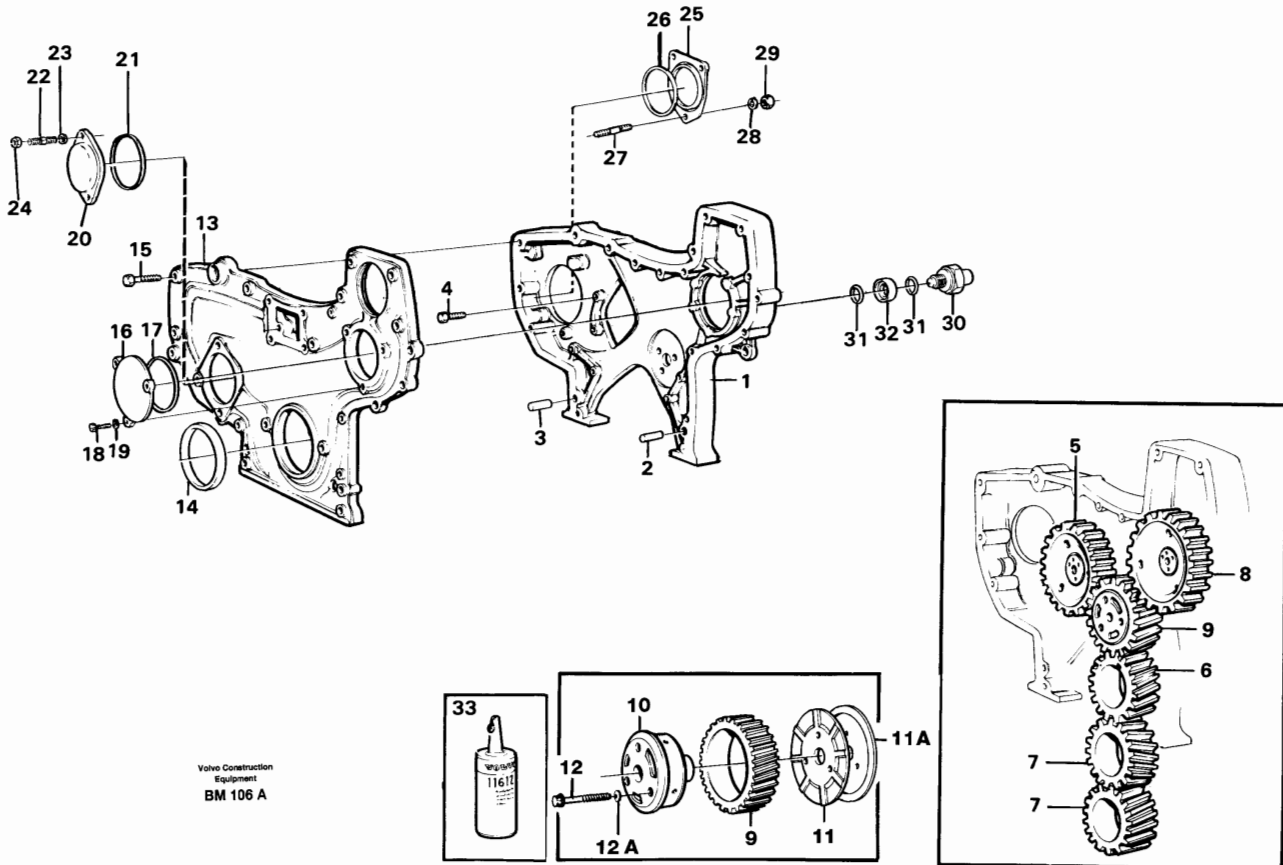
Date: <b>11/20/2023</b>	Image id: <b>BM105</b>	Catalogue: <b>97791</b>	Model: <b>A20C</b>
Brand: <b>Volvo</b>	Serial: <b>3052-5000</b>	Group/Section: <b>215/100</b>	Title: <b>Camshaft</b>



Volvo Construction  
Equipment  
BM 105

Pos	Part	Q1	Q2	Q3	Q4	Q5	PS	Kit	Description	Option(s)	Remark
1	VOE477459	1					CS		Camshaft		ENG - 97292
	VOE8192784	1					CS		Camshaft		ENG 97293 -
2	VOE950588	1							•Pin		
3	VOE465789	1							Flange		
4		7							Bushing		See ref 212/100
5	VOE471509	2					CS		Screw		
6	VOE478297	1							Gear		See ref 215/200
7	VOE471555	3							Screw		
8	VOE11030953	12							Tappet		
9	VOE421385	12							Push rod		ENG - 97292
	VOE8192698	12							Push rod		ENG 97293 -

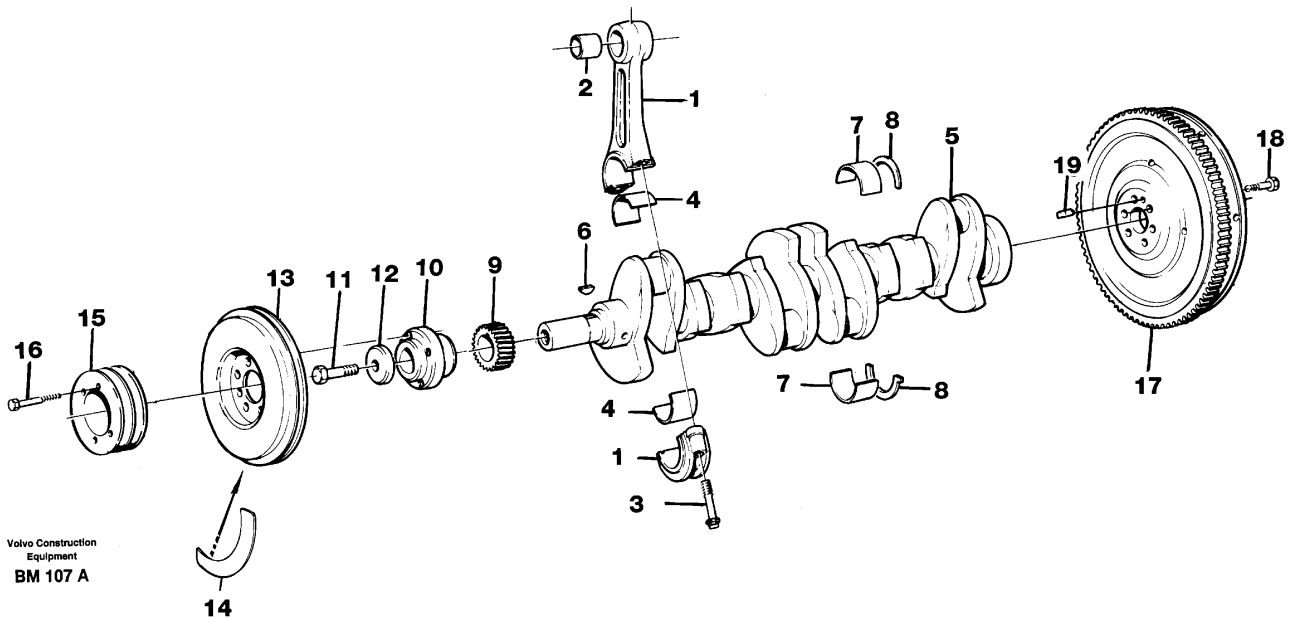
Date: <b>11/20/2023</b>	Image id: <b>BM106A</b>	Catalogue: <b>97791</b>	Model: <b>A20C</b>
Brand: <b>Volvo</b>	Serial: <b>3052-5000</b>	Group/Section: <b>215/200</b>	Title: <b>Timing gear casing</b>



Pos	Part	Q1	Q2	Q3	Q4	Q5	PS	Kit	Description	Option(s)	Remark
1	VOE471505	1					CS		Timing gear casing		
2	VOE13941510	1							Pin		
3	VOE13941511	1							Pin		
4	VOE471534	2							Screw		L=28mm
	VOE471535	2							Screw		L=58mm
5	VOE478297	1							Gear		See ref 215/100
6		1							Gear		See ref 216/100
7		2							Gear		See ref 221/100
8		1							Gear		See ref 236/100
9	VOE8192518	1					CS		Idler gear		ENG - 82971
	VOE8192578	1							Idler gear		ENG 82972 -
	VOE479687	1							•Bushing		
10	VOE422766	1							Pin		ENG - 82971
	VOE8192636	1							Idler gear		(VOE479779)ENG 82972 -
11	VOE478951	1							Thrust washer		ENG - 82971
	VOE478951	2							Thrust washer		ENG 82972 -

11A	VOE478954	1						Bearing shield		ENG 82972 -
12	VOE471554	3					CS	Screw		ENG - 82971
	VOE8192579	3					CS	Screw		ENG 82972 -
12A	VOE942180	3						Disc spring		ENG 82972 -
13	VOE8192590	1					CS	Timing gear cover		
14	VOE477118	1						•Sealing ring		
15	VOE984738	7						Flange screw		(VOE13947760)M8x40
	VOE994385	2						Flange screw		(VOE13948217)M8x45
	VOE13965216	1						Screw		M8x55
	VOE60113091	6						Flange screw		(VOE13965182)M8x80
	VOE60113248	1						Flange screw		(VOE13965183)M8x90
	VOE60113088	2						Flange screw		(VOE13965180)
	VOE965225	1						Flange screw		M12x35
16	VOE471559	1						Cover		
17	VOE925257	1						O-ring		
18	VOE60113081	3						Flange screw		(VOE13945444)
19	VOE13941907	3						Washer		
20	VOE465735	1						Cover		
21	VOE925094	1						O-ring		
22	VOE479972	1						Stud		M10x45x30
	VOE479973	1						Stud		M10x80x65
23	VOE60111980	2						Plain washer		(VOE955895)
24	VOE990941	2						Flange nut		(VOE13971095)
25	VOE420178	1						Cover		
26	VOE13975610	1						O-ring		
27	VOE967951	3						Stud		
28	VOE955899	3						Plain washer		
29	VOE60113142	3						Flange nut		(VOE13971097)
30	VOE1578698	1					CS	Tachometer sensor		GV3
31	VOE925059	2						O-ring		
32	VOE865808	1						Spacer sleeve		
33	VOE1161277	REQ						Sealant		
	VOE11713514	REQ						Sealant		(VOE1161231)

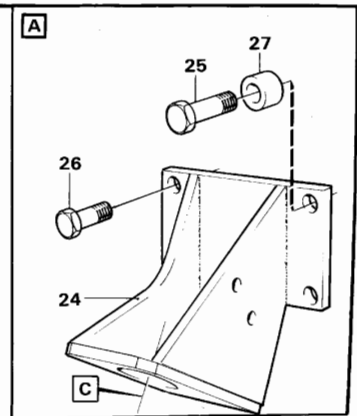
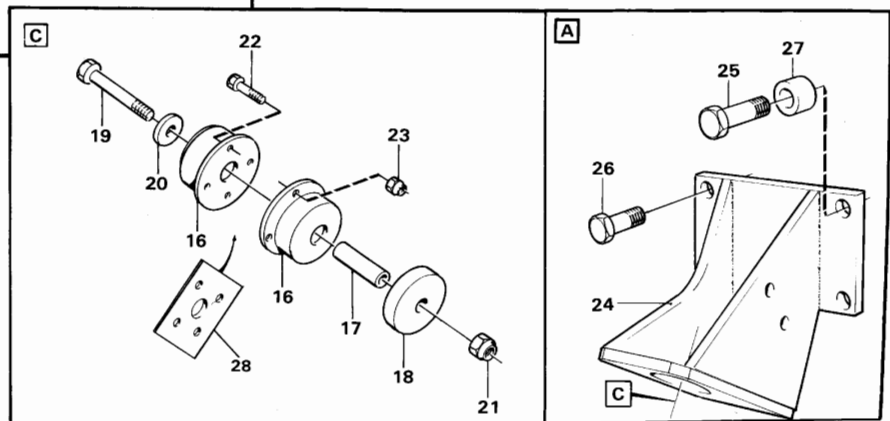
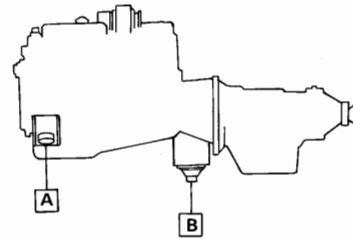
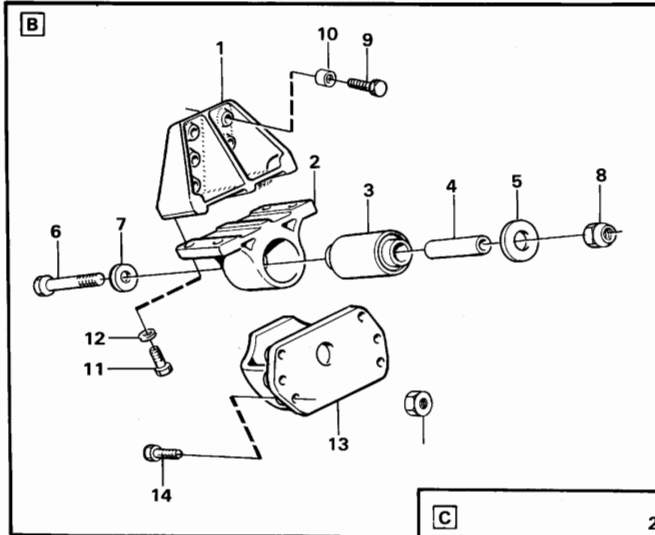
Date: <b>11/20/2023</b>	Image id: <b>BM107A</b>	Catalogue: <b>97791</b>	Model: <b>A20C</b>
Brand: <b>Volvo</b>	Serial: <b>3052-5000</b>	Group/Section: <b>216/100</b>	Title: <b>Crankshaft and related parts</b>



Pos	Part	Q1	Q2	Q3	Q4	Q5	PS	Kit	Description	Option(s)	Remark
1	VOE471523	6					CS		Connecting rod		
2	VOE471364	1							•Bushing		
3	VOE465815	2							•Screw		
4	VOE270115	6							Big End Brg Kit		STD D
	VOE270116	6							Big End Brg Kit		0,25 MM, U SZ
	VOE270117	6							Big End Brg Kit		0,50 MM, U SZ
	VOE270118	6					CS		Big End Brg Kit		0,75 MM, U SZ
	VOE270119	6					CS		Big End Brg Kit		1,00 MM, U SZ
5	VOE24424609	1					CS		Crankshaft		(VOE477870)ENG - 97292, REMAN VOE9000477870, VOE9024424609
	VOE24424609	1					CS		Crankshaft		(VOE8192695)ENG 97293 -, REMAN VOE9008192695, VOE9024424609
6	VOE422253	1							•Key		(VOE7422253)ENG - 97292
	VOE950681	1							•Pin		ENG 97293 -
7	VOE270432	7							Main bearing kit		STD, ENG - 97292
	VOE270433	7							Main bearing kit		0,25 MM, U SZ,ENG - 97292
	VOE270434	7							Main bearing kit		0,50 MM, U SZ,ENG - 97292



Date: <b>11/20/2023</b>	Image id: <b>BM108</b>	Catalogue: <b>97791</b>	Model: <b>A20C</b>
Brand: <b>Volvo</b>	Serial: <b>3052-5000</b>	Group/Section: <b>218/100</b>	Title: <b>Engine mounting</b>

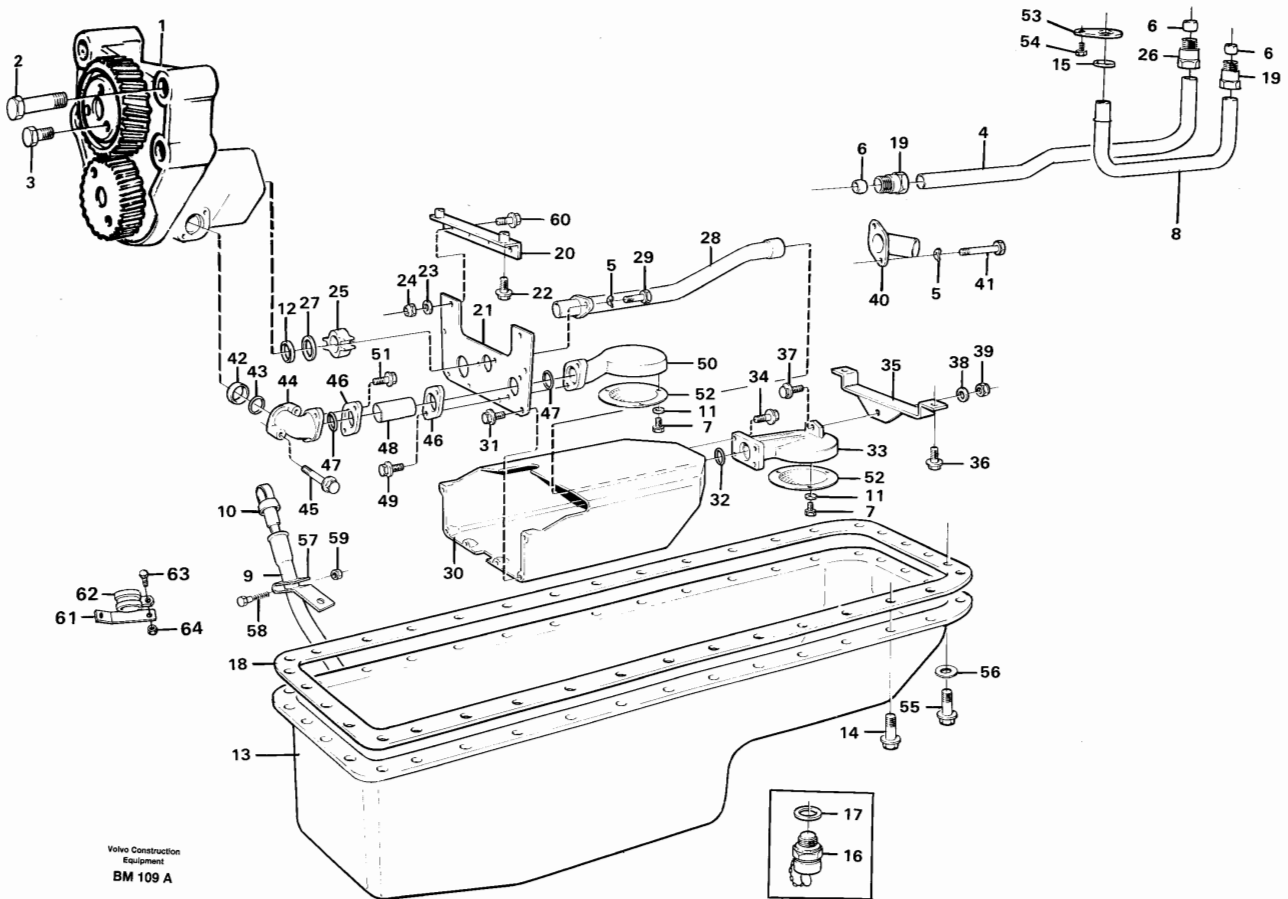


Volvo Construction  
Equipment  
BM 108

Pos	Part	Q1	Q2	Q3	Q4	Q5	PS	Kit	Description	Option(s)	Remark
1	VOE4823093	2					CS		Bracket		
2	VOE4737142	2					CS		Bracket		
3	VOE4737289	1							•Rubber bushing		
4	VOE4737838	2							Shaft		
5	VOE4737260	2					CS		Washer		
6	VOE997473	2							Hexagon screw		(VOE955380)
7	VOE13955900	2							Washer		
8	VOE13967934	2							Flange lock nut		
9	VOE955566	12							Hexagon screw		
10	VOE60113600	12							Spacer sleeve		(VOE4861316)
11	VOE965225	8							Flange screw		
12	VOE4737842	8							Washer		
13	VOE4823092	2					CS		Bracket		
14	VOE60113110	13							Flange screw		(VOE13965226)
15	VOE990952	12							Flange lock nut		(VOE13971099)
16	VOE1623745	4							Rubber cushion		

17	VOE1501002	2							Spacer sleeve		
18	VOE4737225	2							Plate		
19	VOE997471	2							Hexagon screw		(VOE13955378)
20	VOE13955900	2							Washer		
21	VOE13967934	2							Flange lock nut		
22	VOE60113081	8							Flange screw		(VOE13945444)
23	VOE60113140	8							Flange nut		(VOE948645)
24	VOE4965045	2					CS		Bracket		
25	VOE60113115	7							Flange screw		(VOE965195)
26	VOE60113110	1							Flange screw		(VOE13965226)
27	VOE60113600	7							Spacer sleeve		(VOE4861316)
28	VOE4941846	REQ					CS		Plate		

Date: <b>11/20/2023</b>	Image id: <b>BM109A</b>	Catalogue: <b>97791</b>	Model: <b>A20C</b>
Brand: <b>Volvo</b>	Serial: <b>3052-5000</b>	Group/Section: <b>220/100</b>	Title: <b>Lubricating oil system</b>



Pos	Part	Q1	Q2	Q3	Q4	Q5	PS	Kit	Description	Option(s)	Remark
1		1							Oil pump		See ref 221/100
2	VOE471734	2							Screw		
3	VOE471513	4							Screw		
4	VOE4772186	1							Oil feed pipe		ENG - 97292
	VOE11032847	1					CS		Oil feed pipe		ENG 97293 -
5	VOE60110236	4							Plain washer		(VOE13955894)
6	VOE980786	3							Ferrule		(VOE956972)
7	VOE955268	6							Hexagon screw		
8	VOE4772187	1					CS		Oil feed pipe		
9	VOE4772226	1							Pipe		
10	VOE4772239	1					CS		Oil dipstick		
11	VOE955948	6							Toothed washer		
12	VOE470383	1							Sealing ring		
13	VOE11031681	1					CS		Oil pan		
14	VOE984733	32							Flange screw		(VOE946440)
	VOE956567	4							Hex. socket screw		

15	VOE471956	2							Sealing ring		
16	VOE11054692	1							Valve		
17	VOE949329	1							Gasket		
18	VOE11030779	1							Gasket		
19	VOE471588	1						CS	Connector		
20	VOE11032898	1							Bracket		(VOE11030588)
21	VOE4772181	1						CS	Baffle plate		
22	VOE984734	2							Flange screw		(VOE946173)
23	VOE60110236	2							Plain washer		(VOE13955894)
24	VOE946036	2							Lock nut		
25	VOE4772185	1							Spacer		ENG - 97292
	VOE11032848	1							Spacer		ENG 97293 -
26	VOE471595	2						CS	Connector		
27	VOE4778331	1							Spacer		
28	VOE11030590	1						CS	Suction pipe		ENG - 97292
	VOE11032849	1						CS	Suction pipe		ENG 97293 -
29	VOE968303	2						CS	Hexagon screw		
30	VOE4772172	1						CS	Oil reservoir		
31	VOE984733	6							Flange screw		(VOE946440)
32	VOE944126	1							O-ring		
33	VOE4778037	1						CS	Strainer housing		
34	VOE984736	4							Flange screw		(VOE946671)
35	VOE4772182	1							Bracket		
36	VOE984733	2							Flange screw		(VOE946440)
37	VOE984736	1							Flange screw		(VOE946671)
38	VOE60110236	1							Plain washer		(VOE13955894)
39	VOE946036	1							Lock nut		
40	VOE4778425	1						CS	Pipe		
41	VOE955312	2							Hexagon screw		ENG - 97292
	VOE60110265	2							Hexagon screw		(VOE980103)ENG 97293 -
42	VOE4778328	1							Sleeve		
43	VOE944126	1							O-ring		
44	VOE4772174	1						CS	Connector		
45	VOE13965216	2							Screw		
46	VOE4778330	2							Flange		
47	VOE944126	2							O-ring		
48	VOE4772177	1						CS	Tube		ENG - 98726
	VOE11032876	1						CS	Tube		ENG 98727 -
49	VOE984734	4							Flange screw		(VOE946173)
50	VOE4772173	1						CS	Strainer housing		
51	VOE984738	2							Flange screw		(VOE13947760)
52	VOE4778048	2							Strainer		
53	VOE471746	1							Clamp		
54	VOE984733	1							Flange screw		(VOE946440)
55	VOE956568	4							Hex. socket screw		
56	VOE60110236	4							Plain washer		(VOE13955894)

Product: Volvo A20C Articulated Haulers Parts Catalog Manual

Full Download: <https://www.aresairmanual.com/downloads/volvo-a20c-articulated-haulers-parts-catalog-manual/>

57	VOE4772104	1					CS	Clamp		
58	VOE984728	1						Flange screw		(VOE13948356)
59	VOE13945407	1						Nut		
	VOE955082	1						Cap plug		
60	VOE984733	2						Flange screw		(VOE946440)
61	VOE11032627	1						Attachment		ENG 86211 -
62	VOE941950	1						Clamp		ENG 86211 -
63	VOE984733	1						Flange screw		(VOE946440)ENG 86211 -
64	VOE60113140	1						Flange nut		(VOE13945408)ENG 86211 -

Sample of manual. Download All 522 pages at:

<https://www.aresairmanual.com/downloads/volvo-a20c-articulated-haulers-parts-catalog-manual/>