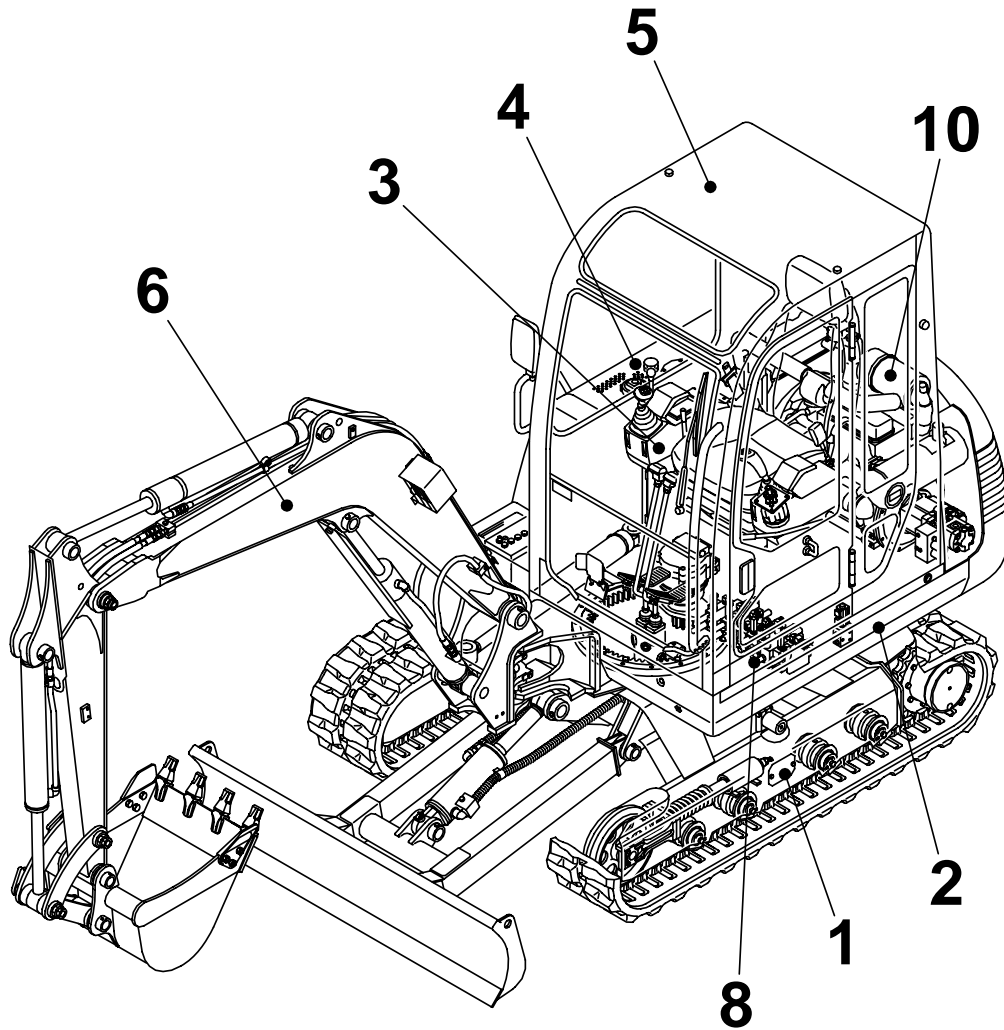


# TB135

Book No. BG4Z010  
Serial No. 13510004-



# TAKEUCHI

Product: Takeuchi TB135 Mini Compact Excavator Workshop Part Manual(Book No.BG4Z010)

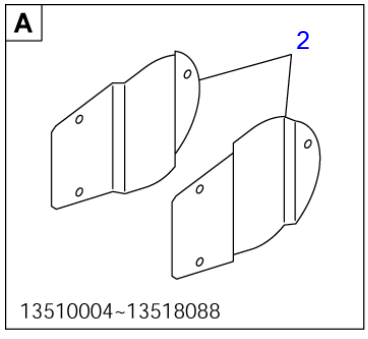
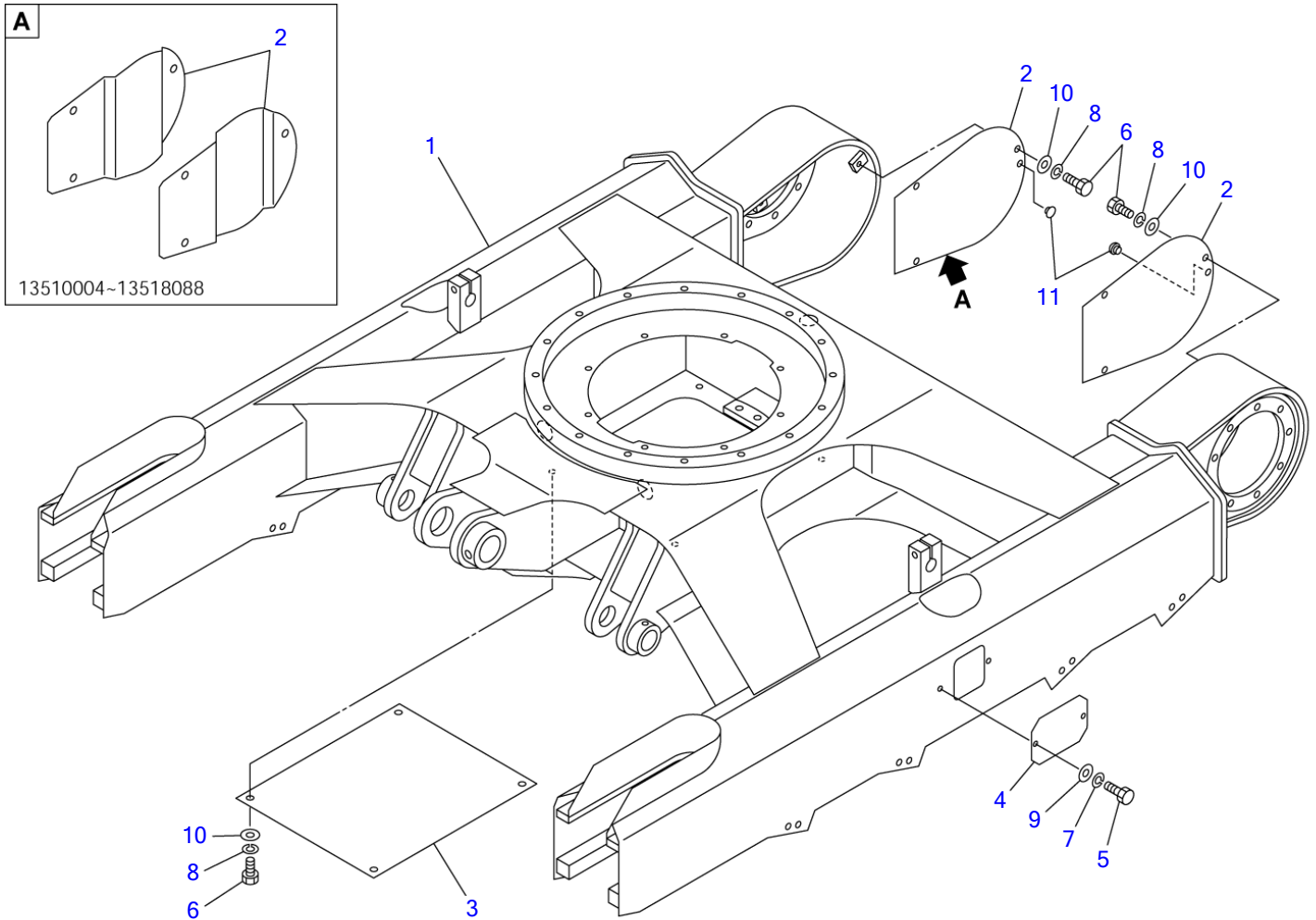
Full Download: <https://www.arepairmanual.com/downloads/takeuchi-tb135-mini-compact-excavator-workshop-part-manualbook-no-bg4z010/>

Sample of manual. Download All 659 pages at:

<https://www.arepairmanual.com/downloads/takeuchi-tb135-mini-compact-excavator-workshop-part-manualbook-no-bg4z010/>

| Item | Part number | Description                | INDEX |       |            |       |         |
|------|-------------|----------------------------|-------|-------|------------|-------|---------|
|      |             |                            | Q'ty  | Chan. | Serial No. | Serv. | Remarks |
| 1    |             | UNDERCARRIAGE              |       |       |            |       |         |
| 2    |             | TURNTABLE & CONTROL LEVER  |       |       |            |       |         |
| 3    |             | ENGINE & ELECTRICAL SYSTEM |       |       |            |       |         |
| 4    |             | HYDRAULIC PIPNG & TANK     |       |       |            |       |         |
| 5    |             | COVER & CAB                |       |       |            |       |         |
| 6    |             | HOE ATTACHMENT             |       |       |            |       |         |
| 7    |             | DECAL & TOOL               |       |       |            |       |         |
| 8    |             | HYDRAULIC DEVICE           |       |       |            |       |         |
| 10   |             | ENGINE 3TNE88-(E)TB(1)     |       |       |            |       |         |
|      |             | ENGINE 3TNV88-QTB,QT B1    |       |       |            |       |         |
|      |             | ENGINE 3TNV88-QTB2         |       |       |            |       |         |
|      |             | 2007.5.31                  |       |       |            |       |         |

TB135 Book No. BG4Z010 S/N 13510004-  
LOWER FRAME



13510004~13518088

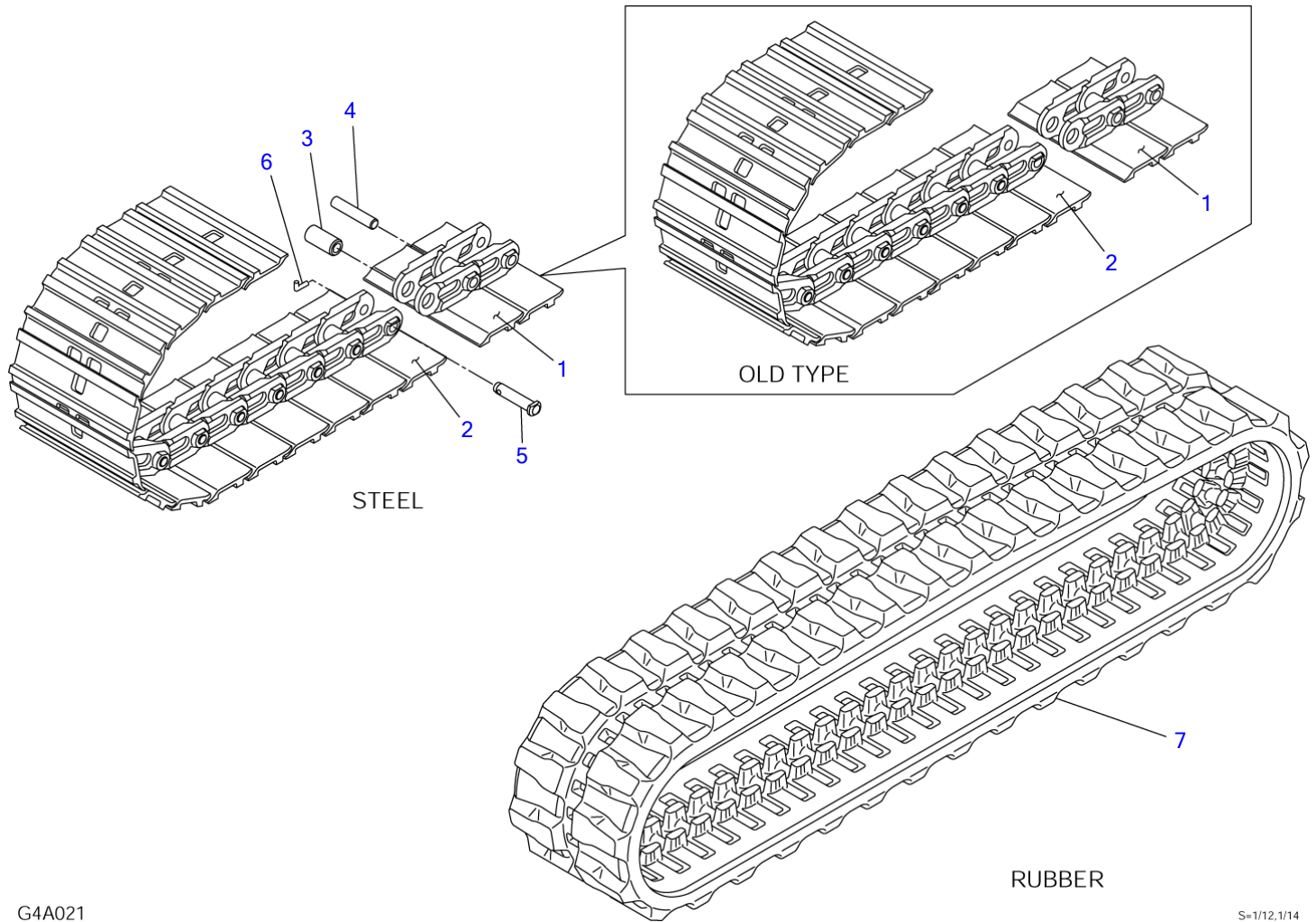
G4A011

S-1/12

**LOWER FRAME**

| Item | Part number       | Description       | Q'ty | Chan. | Serial No.        | Serv. | Remarks        |
|------|-------------------|-------------------|------|-------|-------------------|-------|----------------|
|      |                   | FRAME ASSY, lower |      |       |                   |       | X03710-11000-1 |
| 1    | X *****           | FRAME             | 1    |       |                   |       |                |
| 2    | <b>0471001400</b> | COVER             | 2    | (L)   | 13510004~13518088 |       |                |
|      | <b>0351006010</b> | COVER             | 2    |       | 13518089~         |       |                |
| 3    | <b>0431003600</b> | COVER             | 1    |       |                   |       |                |
| 4    | <b>0331018600</b> | COVER             | 2    |       |                   |       |                |
| 5    | <b>1100040816</b> | BOLT              | 4    |       |                   |       |                |
| 6    | <b>1100041020</b> | BOLT              | 10   |       |                   |       |                |
| 7    | <b>1140020008</b> | WASHER, spring    | 4    |       |                   |       |                |
| 8    | <b>1140020010</b> | WASHER, spring    | 10   |       |                   |       |                |
| 9    | <b>1141110008</b> | WASHER            | 4    |       |                   |       |                |
| 10   | <b>1141110010</b> | WASHER            | 10   |       |                   |       |                |
| 11   | <b>1652533019</b> | CAP               | 2    |       | 13518089~         |       |                |
|      | <b>G4a011</b>     |                   |      |       |                   |       |                |

TB135 Book No. BG4Z010 S/N 13510004-  
CRAWLER BELT

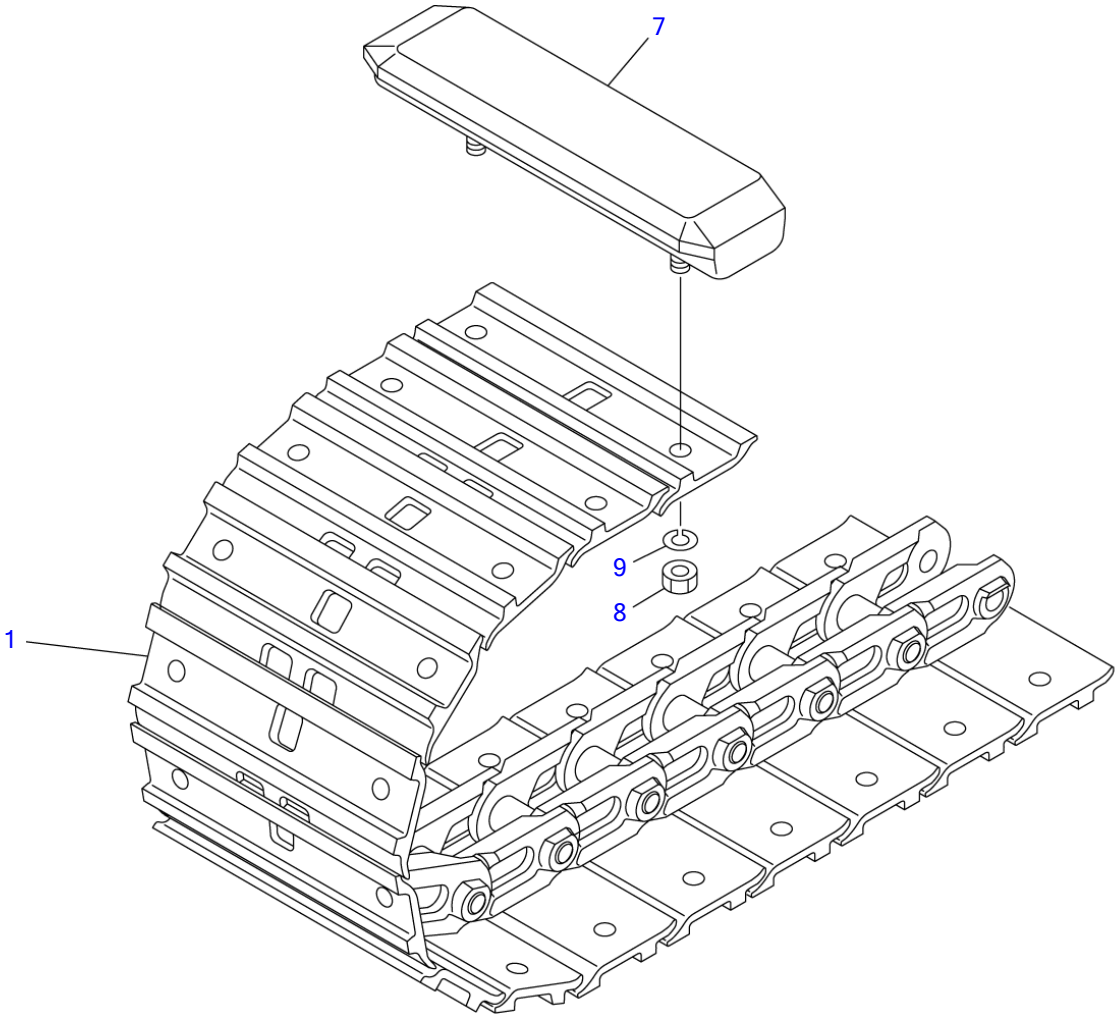


G4A021

S=1/12,1/14

**CRAWLER BELT**

| Item | Part number       | Description          | Q'ty | Chan. | Serial No.        | Serv. | Remarks |
|------|-------------------|----------------------|------|-------|-------------------|-------|---------|
| 0-1  | <b>1914054200</b> | BELT, steel crawler  | 2    |       | old type          |       |         |
|      | <b>1914054300</b> | BELT, steel crawler  | 2    | (H)   | new type          |       |         |
| 1    | <b>1914054213</b> | ▪ PLATE ASSY         | 42   |       | old type          |       |         |
|      | <b>1914054313</b> | ▪ PLATE ASSY         | 42   |       | new type          |       |         |
| 2    | <b>1914054214</b> | ▪ PLATE ASSY, master | 1    |       | old type          |       |         |
|      | <b>1914054314</b> | ▪ PLATE ASSY, master | 1    |       | new type          |       |         |
| 3    | <b>1914053505</b> | ▪ BUSHING            | 43   |       |                   |       |         |
| 4    | <b>1914053506</b> | ▪ PIN, track         | 42   |       |                   |       |         |
| 5    | <b>1914053507</b> | ▪ PIN, master        | 1    |       |                   |       |         |
| 6    | <b>1914053508</b> | ▪ PIN, cotter        | 1    |       |                   |       |         |
| 7    | <b>1914068300</b> | BELT, rubber crawler | 2    |       | 13510004~13513664 |       |         |
|      | <b>1914068400</b> | BELT, rubber crawler | 2    | (H)   | 13513665~         |       |         |
|      | <b>G4a023</b>     |                      |      |       |                   |       |         |



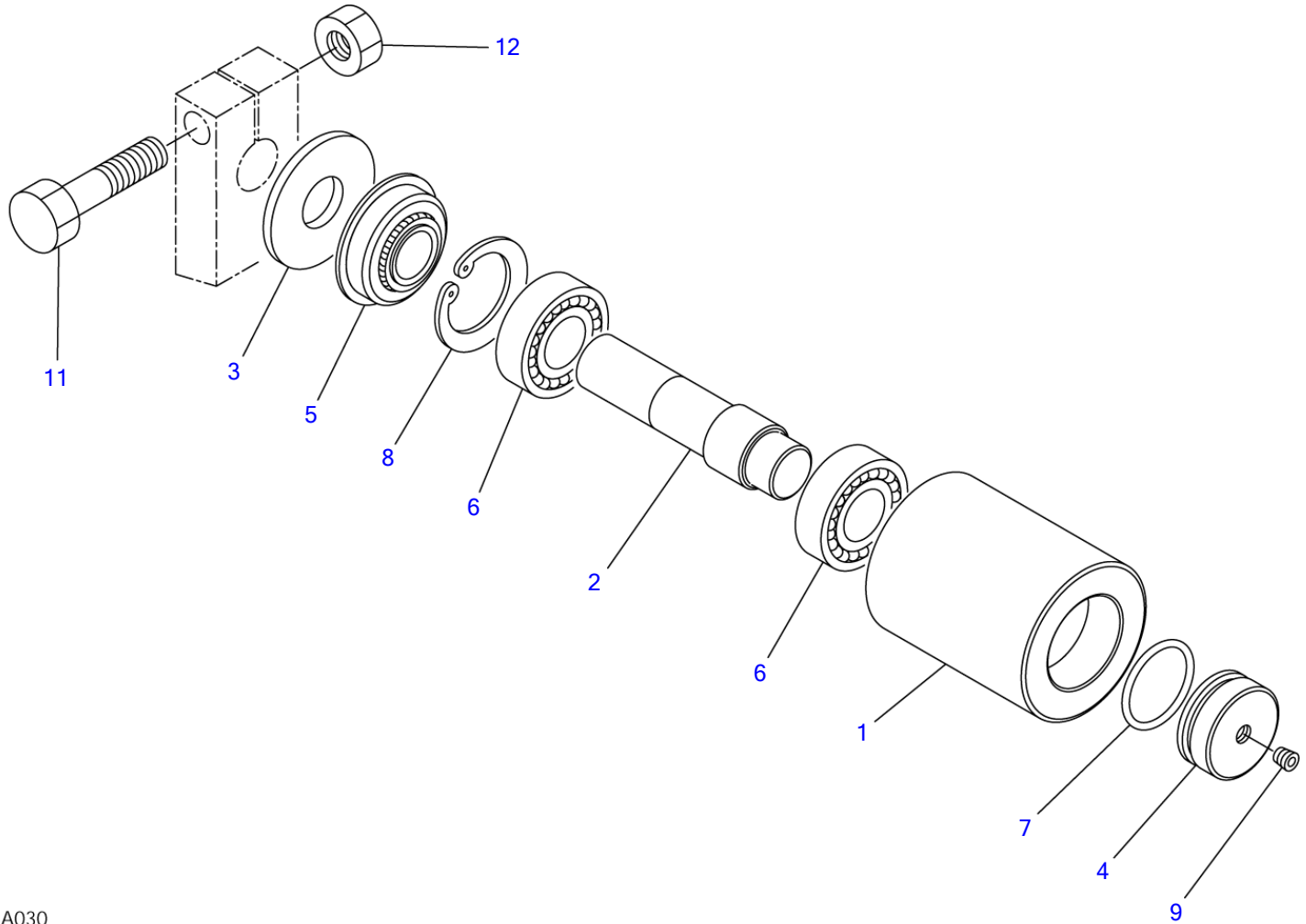
G4A112

S=1/6

**CRAWLER BELT (with rubber pads)**

| Item | Part number       | Description                                 | Q'ty | Chan. | Serial No. | Serv. | Remarks |
|------|-------------------|---|------|-------|------------|-------|---------|
| 0    | <b>1914054400</b> | BELT ASSY, steel crawler (with rubber pads) | 2    |       |            |       |         |
| 1    | <b>1914054300</b> | ▪ BELT, steel crawler                       | 1    |       |            |       |         |
| 7    | <b>1914400400</b> | ▪ PAD, rubber                               | 43   |       |            |       |         |
| 8    | <b>1130020012</b> | ▪ ▪ NUT                                     | 2    |       |            |       |         |
| 9    | <b>1140020012</b> | ▪ ▪ WASHER, spring                          | 2    |       |            |       |         |
|      | <b>G4a113</b>     |   |      |       |            |       |         |

TB135 Book No. BG4Z010 S/N 13510004-  
CARRIER ROLLER (13510004-13514104)



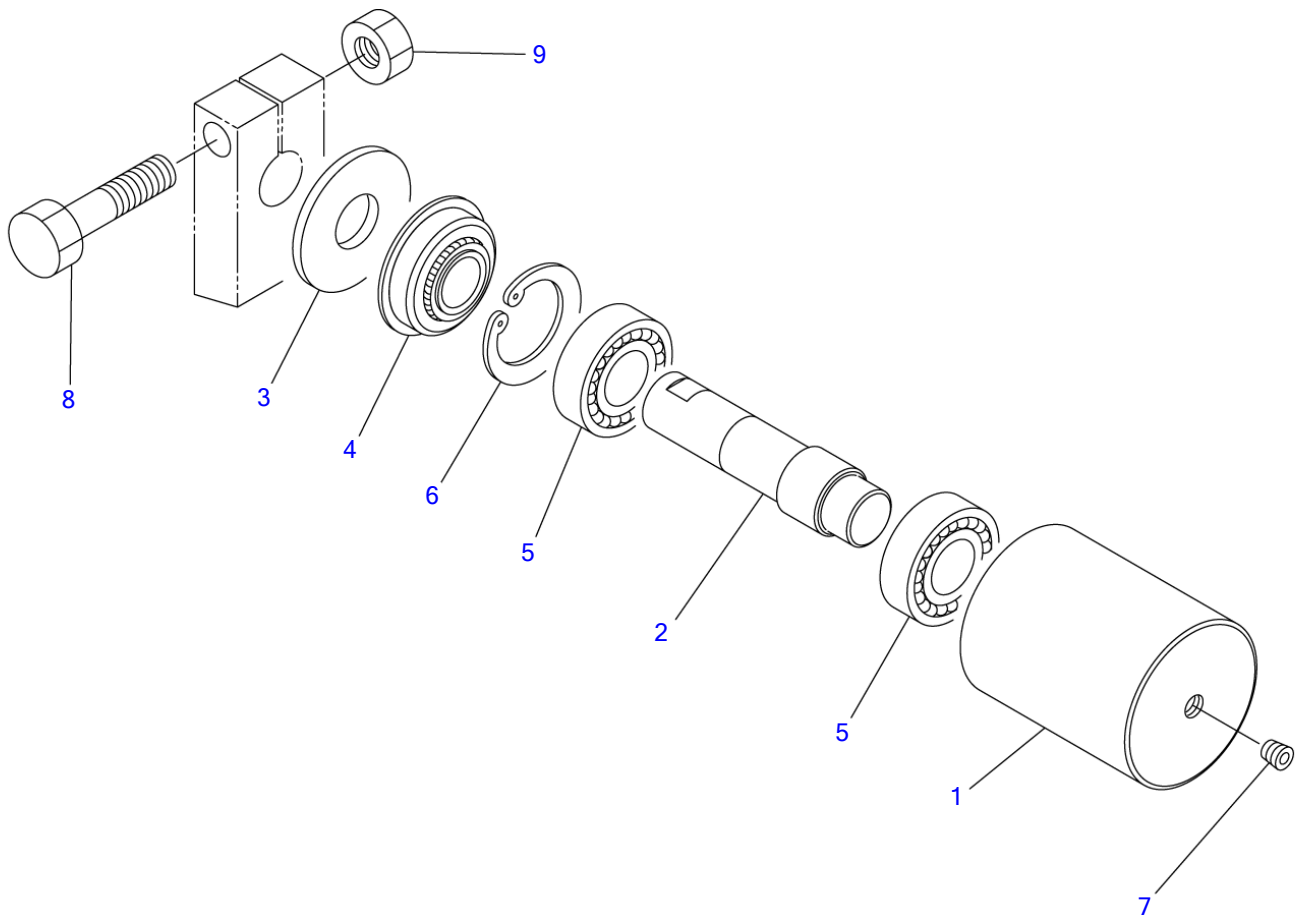
U1A030

S=1/3

**CARRIER ROLLER (13510004-13514104)**

| Item | Part number       | Description          | Q'ty | Chan. | Serial No. | Serv. | Remarks        |
|------|-------------------|----------------------|------|-------|------------|-------|----------------|
|      |                   | ROLLER ASSY, carrier |      |       |            |       | X04312-02000-0 |
| 0-1  | <b>0431200500</b> | ROLLER SUB ASSY      | 2    |       |            |       |                |
| 1    | <b>0431200100</b> | · ROLLER             | 1    |       |            |       |                |
| 2    | <b>0431200200</b> | · SHAFT              | 1    |       |            |       |                |
| 3    | <b>0431200300</b> | · COVER              | 1    |       |            |       |                |
| 4    | <b>0431200400</b> | · COVER              | 1    |       |            |       |                |
| 5    | <b>1431202552</b> | · SEAL               | 1    |       |            |       |                |
| 6    | <b>1300006205</b> | · BEARING            | 2    |       |            |       |                |
| 7    | <b>1420100400</b> | · O-RING             | 1    |       |            |       |                |
| 8    | <b>1221000052</b> | · RING, snap         | 1    |       |            |       |                |
| 9    | <b>1501810001</b> | · PLUG               | 1    |       |            |       |                |
| 11   | <b>1100051060</b> | BOLT                 | 2    |       |            |       |                |
| 12   | <b>1130050010</b> | NUT                  | 2    |       |            |       |                |
|      | <b>U1a030</b>     |                      |      |       |            |       |                |

TB135 Book No. BG4Z010 S/N 13510004-  
CARRIER ROLLER (13514105-)



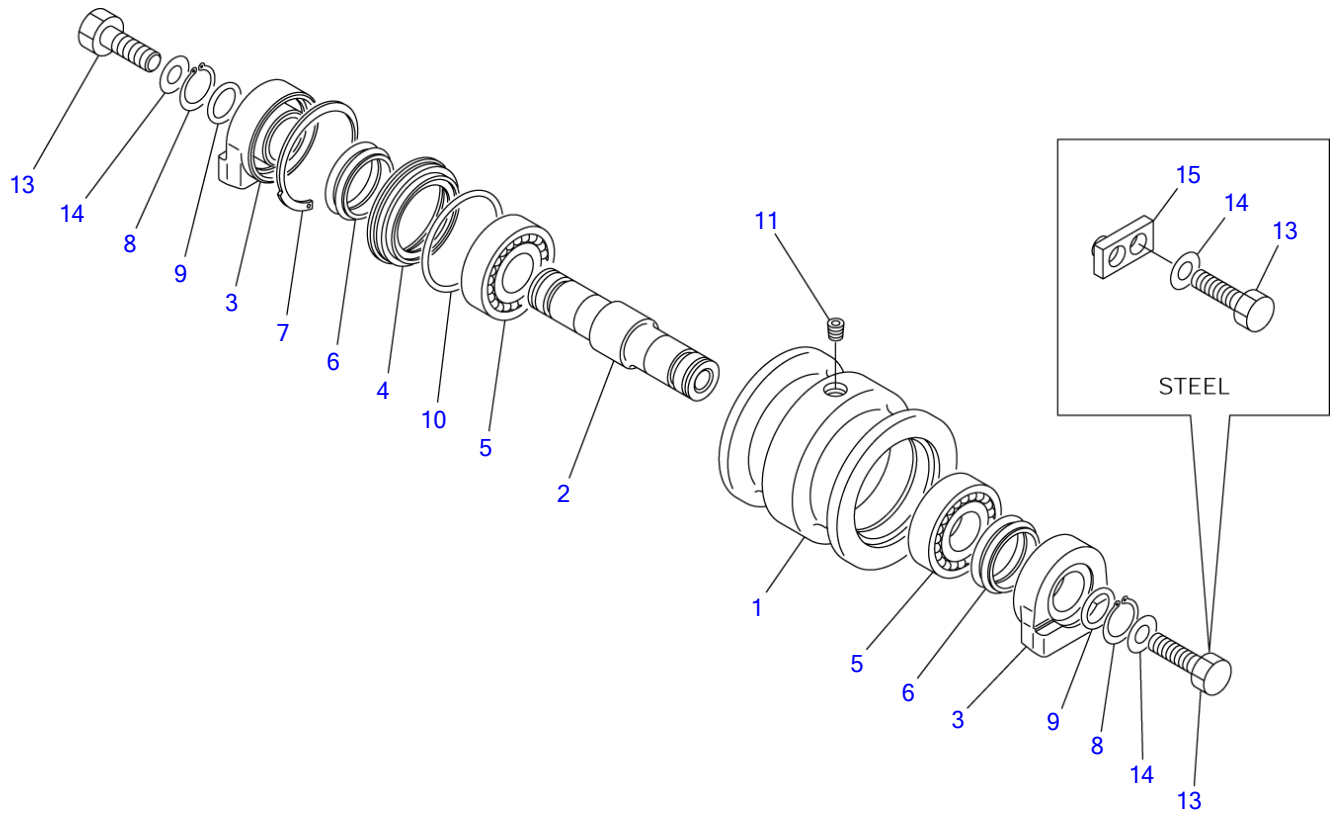
G4A100

S=1/3

**CARRIER ROLLER (13514105-)**

| Item | Part number       | Description          | Q'ty | Chan. | Serial No. | Serv. | Remarks        |
|------|-------------------|----------------------|------|-------|------------|-------|----------------|
|      |                   | ROLLER ASSY, carrier |      |       |            |       | X03712-00000-1 |
| 0-1  | <b>0371200100</b> | ROLLER SUB ASSY      | 2    |       |            |       |                |
| 1    | <b>0371200110</b> | ▪ ROLLER             | 1    |       |            |       |                |
| 2    | <b>0431200200</b> | ▪ SHAFT              | 1    |       |            |       |                |
| 3    | <b>0431200300</b> | ▪ COVER              | 1    |       |            |       |                |
| 4    | <b>1431202552</b> | ▪ SEAL               | 1    |       |            |       |                |
| 5    | <b>1300006205</b> | ▪ BEARING            | 2    |       |            |       |                |
| 6    | <b>1221000052</b> | ▪ RING, snap         | 1    |       |            |       |                |
| 7    | <b>1501820001</b> | ▪ PLUG               | 1    |       |            |       |                |
| 8    | <b>1100041060</b> | BOLT                 | 2    |       |            |       |                |
| 9    | <b>1130040010</b> | NUT                  | 2    |       |            |       |                |
|      | <b>G4a100</b>     |                      |      |       |            |       |                |

TB135 Book No. BG4Z010 S/N 13510004-  
TRACK ROLLER



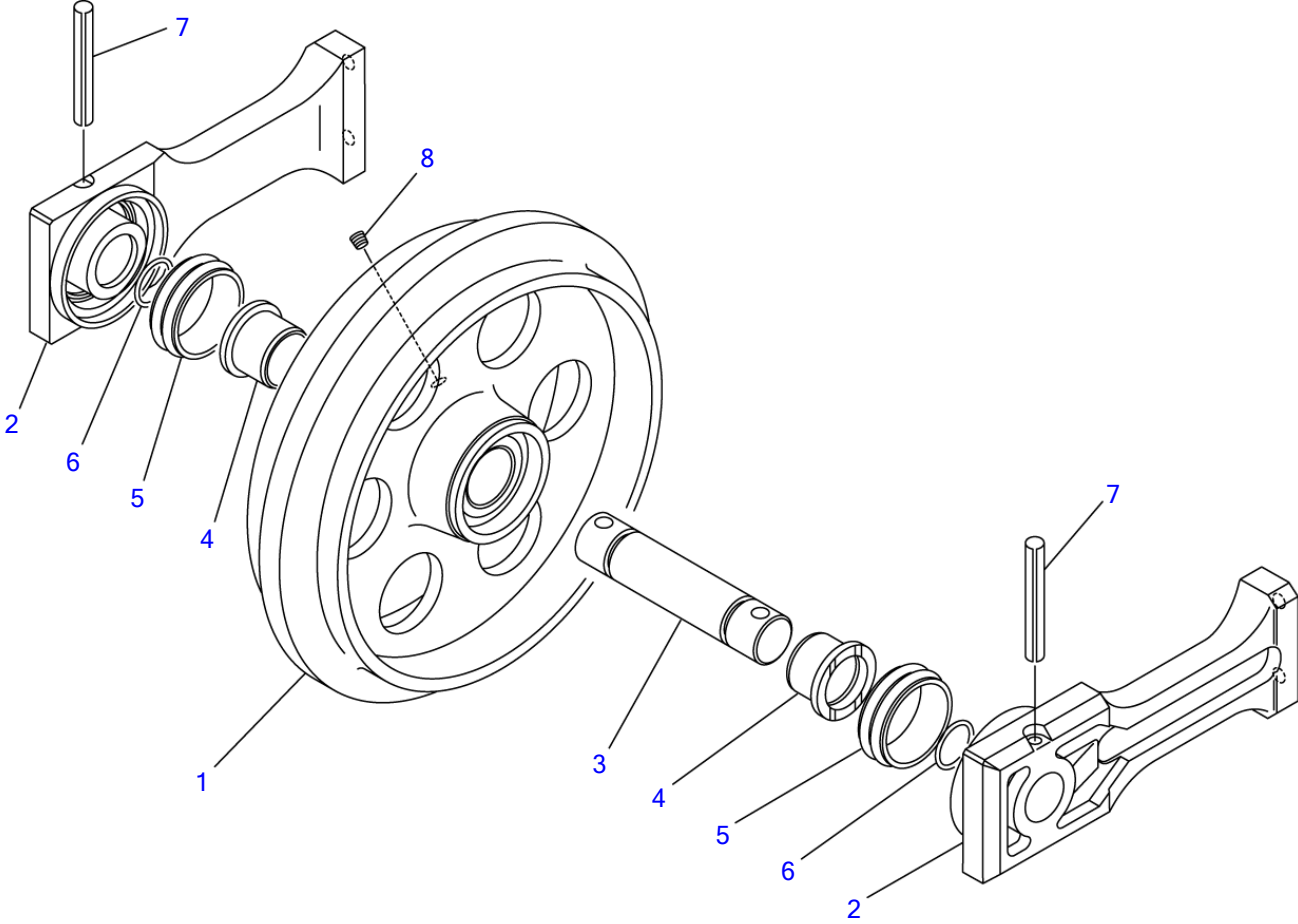
G4A030

S=1/5

**TRACK ROLLER**

| Item | Part number       | Description                 | Q'ty | Chan. | Serial No. | Serv. | Remarks        |
|------|-------------------|-----------------------------|------|-------|------------|-------|----------------|
|      |                   | ROLLER ASSY, track (steel)  |      |       |            |       | X03713-00000-2 |
|      |                   | ROLLER ASSY, track (rubber) |      |       |            |       | X04313-11000-2 |
| 0-1  | <b>0431311100</b> | ROLLER SUB ASSY, track      | 8    |       |            |       |                |
| 1    | <b>0431311300</b> | • ROLLER                    | 1    |       |            |       |                |
| 2    | <b>0431310200</b> | • SHAFT                     | 1    |       |            |       |                |
| 3    | <b>0431310300</b> | • COVER                     | 2    |       |            |       |                |
| 4    | <b>0431300400</b> | • RETAINER                  | 1    |       |            |       |                |
| 5    | <b>1300006306</b> | • BEARING                   | 2    |       |            |       |                |
| 6    | <b>1432500450</b> | • SEAL, floating            | 2    |       |            |       |                |
| 7    | <b>1222015080</b> | • RING, seeger              | 1    |       |            |       |                |
| 8    | <b>1220000030</b> | • RING, snap                | 2    |       |            |       |                |
| 9    | <b>1420100250</b> | • O-RING                    | 2    |       |            |       |                |
| 10   | <b>1420100700</b> | • O-RING                    | 1    |       |            |       |                |
| 11   | <b>1501810001</b> | • PLUG                      | 1    |       |            |       |                |
| 13   | <b>1101051440</b> | BOLT                        | 16   |       |            |       |                |
|      | <b>1101051450</b> | BOLT                        | 16   |       |            |       | steel          |
| 14   | <b>1141540014</b> | WASHER                      | 16   |       |            |       |                |
| 15   | <b>0371300100</b> | STOPPER                     | 16   |       |            |       | steel          |
|      | <b>G4a031</b>     |                             |      |       |            |       |                |

TB135 Book No. BG4Z010 S/N 13510004-  
FRONT IDLER

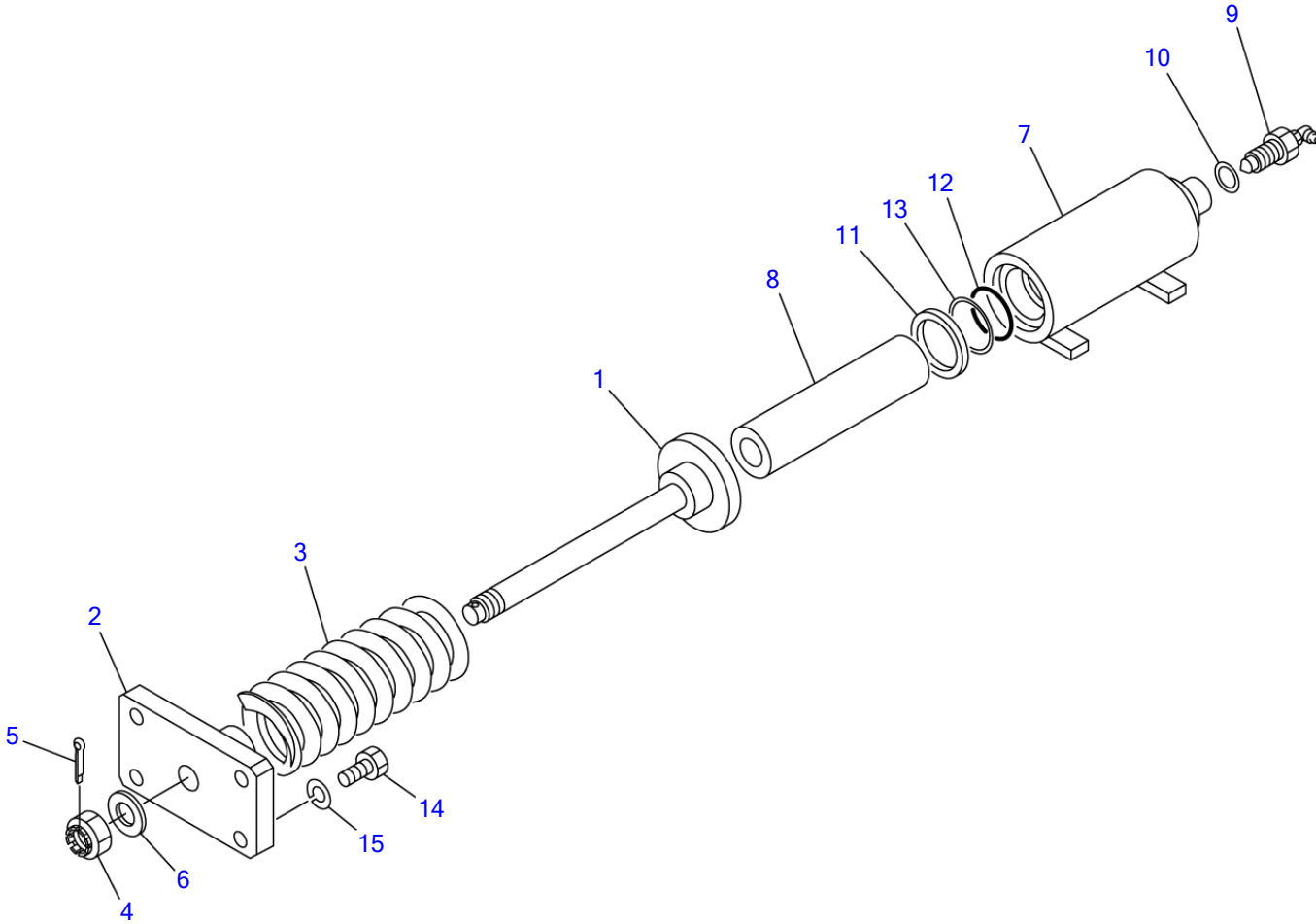


U1A050

S=1/5

| FRONT IDLER |                   |                   |      |       |                   |       |                |
|-------------|-------------------|-------------------|------|-------|-------------------|-------|----------------|
| Item        | Part number       | Description       | Q'ty | Chan. | Serial No.        | Serv. | Remarks        |
| 0-1         | <b>0431410000</b> | IDLER ASSY, front | 2    | (L)   | 13510004~13512646 |       | X04314-10000-3 |
|             | <b>0371400000</b> | IDLER ASSY, front | 2    | (H)   | 13512647~         |       | X03714-00000-2 |
| 1           | <b>0431401100</b> | ▪ IDLER           | 1    |       | 13510004~13512646 |       |                |
|             | <b>0371400100</b> | ▪ IDLER           | 1    |       | 13512647~         |       |                |
| 2           | <b>0431410100</b> | ▪ BLOCK           | 2    |       | 13510004~13512646 |       |                |
|             | <b>0371400200</b> | ▪ BLOCK           | 2    |       | 13512647~         |       |                |
| 3           | <b>0431410200</b> | ▪ SHAFT           | 1    |       | 13510004~13512646 |       |                |
|             | <b>0371400300</b> | ▪ SHAFT           | 1    |       | 13512647~         |       |                |
| 4           | <b>0431400600</b> | ▪ BUSHING         | 2    |       | 13510004~13512646 |       |                |
|             | <b>1333064039</b> | ▪ BUSHING         | 2    |       | 13512647~         |       |                |
| 5           | <b>1432500560</b> | ▪ SEAL, floating  | 2    |       | 13510004~13512646 |       |                |
|             | <b>1432500640</b> | ▪ SEAL, floating  | 2    |       | 13512647~         |       |                |
| 6           | <b>1420100300</b> | ▪ O-RING          | 2    |       | 13510004~13512646 |       |                |
|             | <b>1420100350</b> | ▪ O-RING          | 2    |       | 13512647~         |       |                |
| 7           | <b>1213000885</b> | ▪ PIN, spring     | 2    |       |                   |       |                |
| 8           | <b>1501810001</b> | ▪ PLUG            | 1    |       |                   |       |                |
|             | <b>G4a121</b>     |                   |      |       |                   |       |                |

TB135 Book No. BG4Z010 S/N 13510004-  
TRACK ADJUSTER

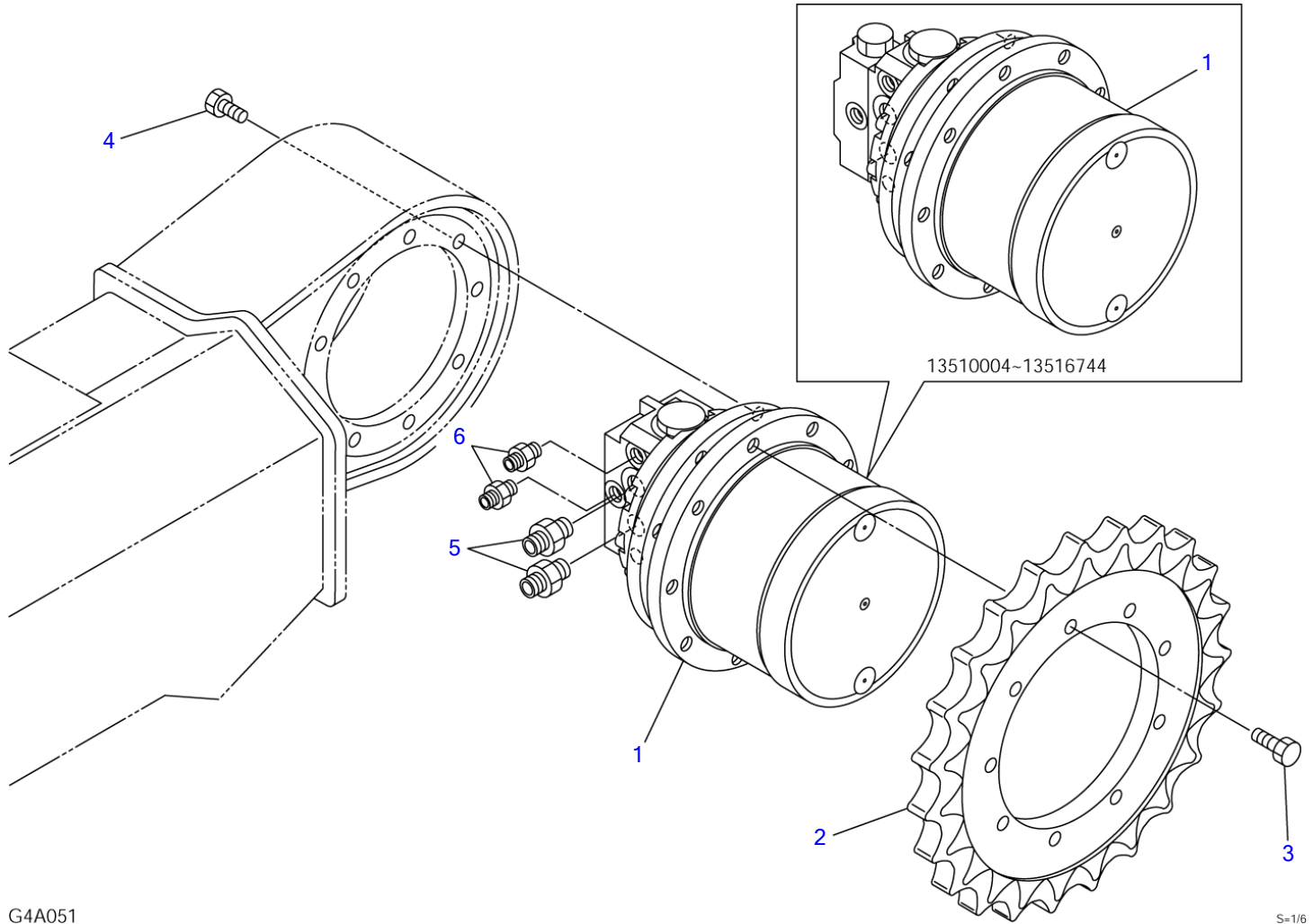


G4A040

S=1/6

**TRACK ADJUSTER**

| Item | Part number       | Description           | Q'ty | Chan. | Serial No. | Serv. | Remarks        |
|------|-------------------|-----------------------|------|-------|------------|-------|----------------|
|      |                   | SPRING ASSY           |      |       |            |       | X03715-01000-1 |
| 0-1  | <b>0371501100</b> | SPRING SUB ASSY       | 2    |       |            |       |                |
| 1    | <b>0371501200</b> | • ROD                 | 1    |       |            |       |                |
| 2    | <b>0431510300</b> | • PLATE               | 1    |       |            |       |                |
| 3    | <b>0007000004</b> | • SPRING              | 1    |       |            |       |                |
| 4    | <b>1132030020</b> | • NUT                 | 1    |       |            |       |                |
| 5    | <b>1210000440</b> | • PIN, split          | 1    |       |            |       |                |
| 6    | <b>1141540020</b> | • WASHER              | 1    |       |            |       |                |
| 0-2  | <b>0371501500</b> | CYLINDER ASSY, grease | 2    |       |            |       |                |
| 7    | <b>0371501600</b> | • CYLINDER, grease    | 1    |       |            |       |                |
| 8    | <b>0371501700</b> | • PISTON              | 1    |       |            |       |                |
| 9    | <b>1541301602</b> | • VALVE, check        | 1    |       |            |       |                |
| 10   | <b>1541201616</b> | • WASHER              | 1    |       |            |       |                |
| 11   | <b>1400402640</b> | • SEAL, oil           | 1    |       |            |       |                |
| 12   | <b>1422010450</b> | • O-RING              | 1    |       |            |       |                |
| 13   | <b>1421020450</b> | • RING, back-up       | 1    |       |            |       |                |
| 14   | <b>1101051240</b> | BOLT                  | 8    |       |            |       |                |
| 15   | <b>1140010012</b> | WASHER, spring        | 8    |       |            |       |                |
|      | <b>G4a041</b>     |                       |      |       |            |       |                |



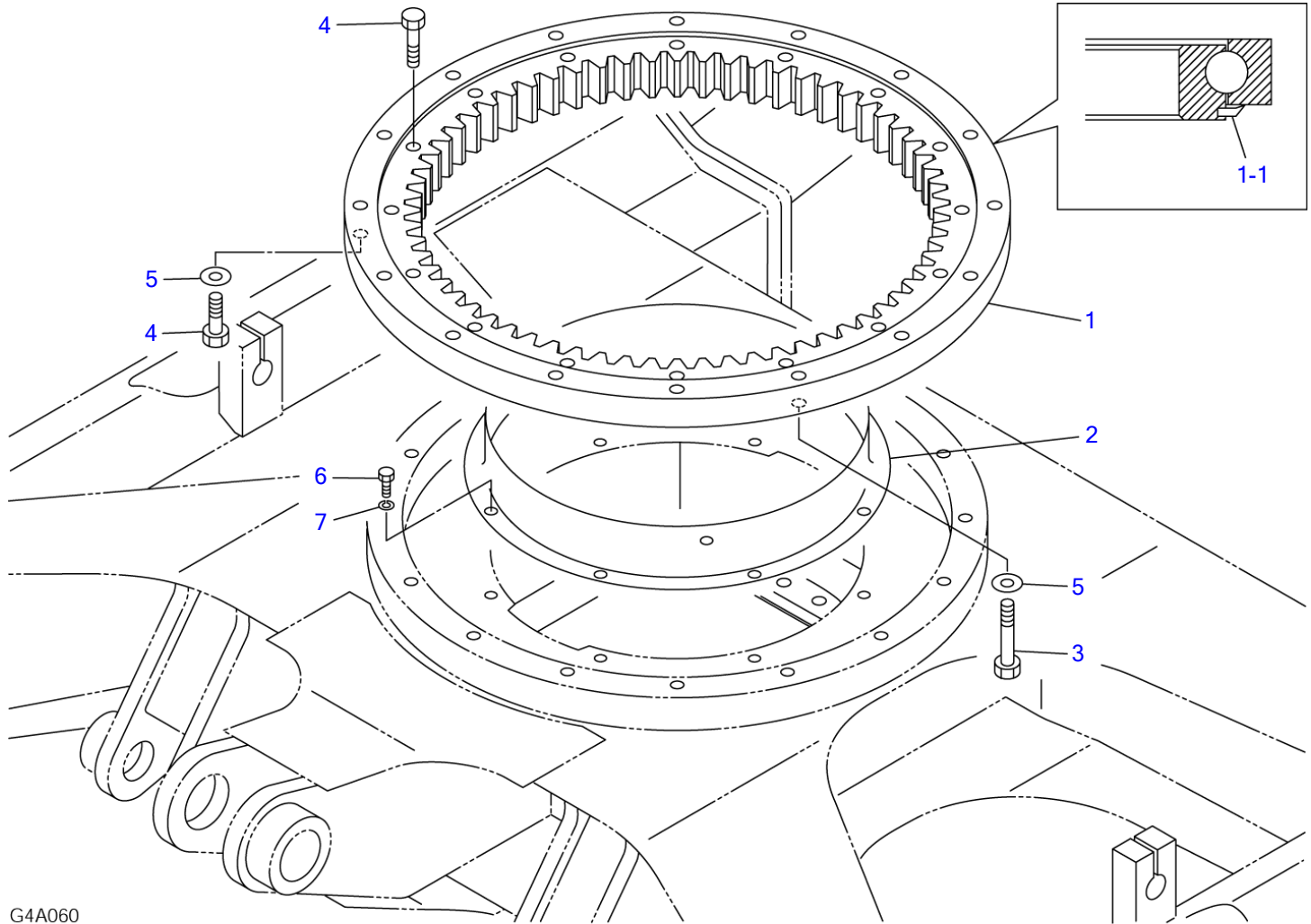
G4A051

S=1/6

**TRAVEL DEVICE**

| Item | Part number       | Description        | Q'ty | Chan. | Serial No.        | Serv. | Remarks        |
|------|-------------------|--------------------|------|-------|-------------------|-------|----------------|
|      |                   | MOTOR ASSY, travel |      |       |                   |       | X03716-08000-1 |
| 1    | <b>1903119400</b> | MOTOR, travel      | 2    |       | 13510004~13510348 |       |                |
|      | <b>1903120700</b> | MOTOR, travel      | 2    | (H)   | 13510349~13516744 |       |                |
|      | <b>1903125700</b> | MOTOR, travel      | 2    |       | 13516745~13519426 |       |                |
|      | <b>1903127300</b> | MOTOR, travel      | 2    |       | 13519427~         | M     |                |
| 2    | <b>0471000600</b> | SPROCKET           | 2    |       |                   |       |                |
| 3    | <b>1100051235</b> | BOLT               | 18   |       |                   |       |                |
| 4    | <b>1100051230</b> | BOLT               | 18   |       |                   |       |                |
| 5    | <b>1515600577</b> | ADAPTOR            | 4    |       |                   |       |                |
|      | <b>1420010180</b> | · O-RING           | 1    |       |                   |       |                |
| 6    | <b>1515600200</b> | ADAPTOR            | 4    |       |                   |       |                |
|      | <b>1420010110</b> | · O-RING           | 1    |       |                   |       |                |
|      | <b>G4a054</b>     |                    |      |       |                   |       |                |

TB135 Book No. BG4Z010 S/N 13510004-  
SLEW BEARING



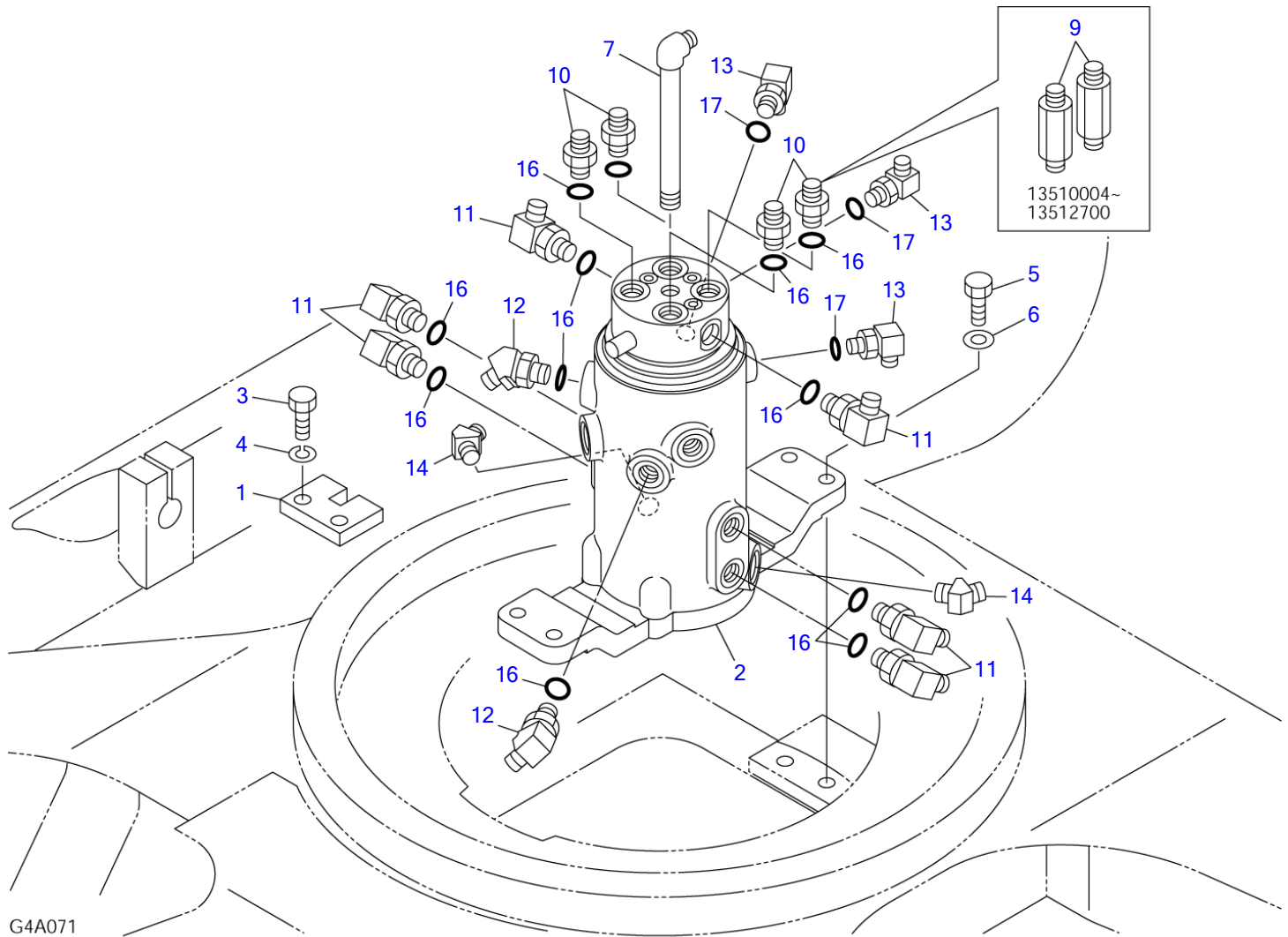
G4A060

S=1/6

**SLEW BEARING**

| Item | Part number       | Description        | Q'ty | Chan. | Serial No. | Serv. | Remarks        |
|------|-------------------|--------------------|------|-------|------------|-------|----------------|
|      |                   | BEARING ASSY, slew |      |       |            |       | X03720-00000-1 |
| 1    | <b>1913003700</b> | BEARING            | 1    |       |            |       |                |
| 1-1  | <b>1913003709</b> | • SEAL             | 1    |       |            |       |                |
| 2    | <b>0432300100</b> | BATH, grease       | 1    |       |            |       |                |
| 3    | <b>0352000100</b> | BOLT               | 1    |       |            |       |                |
| 4    | <b>1101051265</b> | BOLT               | 31   |       |            |       |                |
| 5    | <b>1141540012</b> | WASHER             | 16   |       |            |       |                |
| 6    | <b>1100040816</b> | BOLT               | 8    |       |            |       |                |
| 7    | <b>1140020008</b> | WASHER, spring     | 8    |       |            |       |                |
|      | <b>G4a060</b>     |                    |      |       |            |       |                |

TB135 Book No. BG4Z010 S/N 13510004-  
SWIVEL JOINT & ACCESSORIES

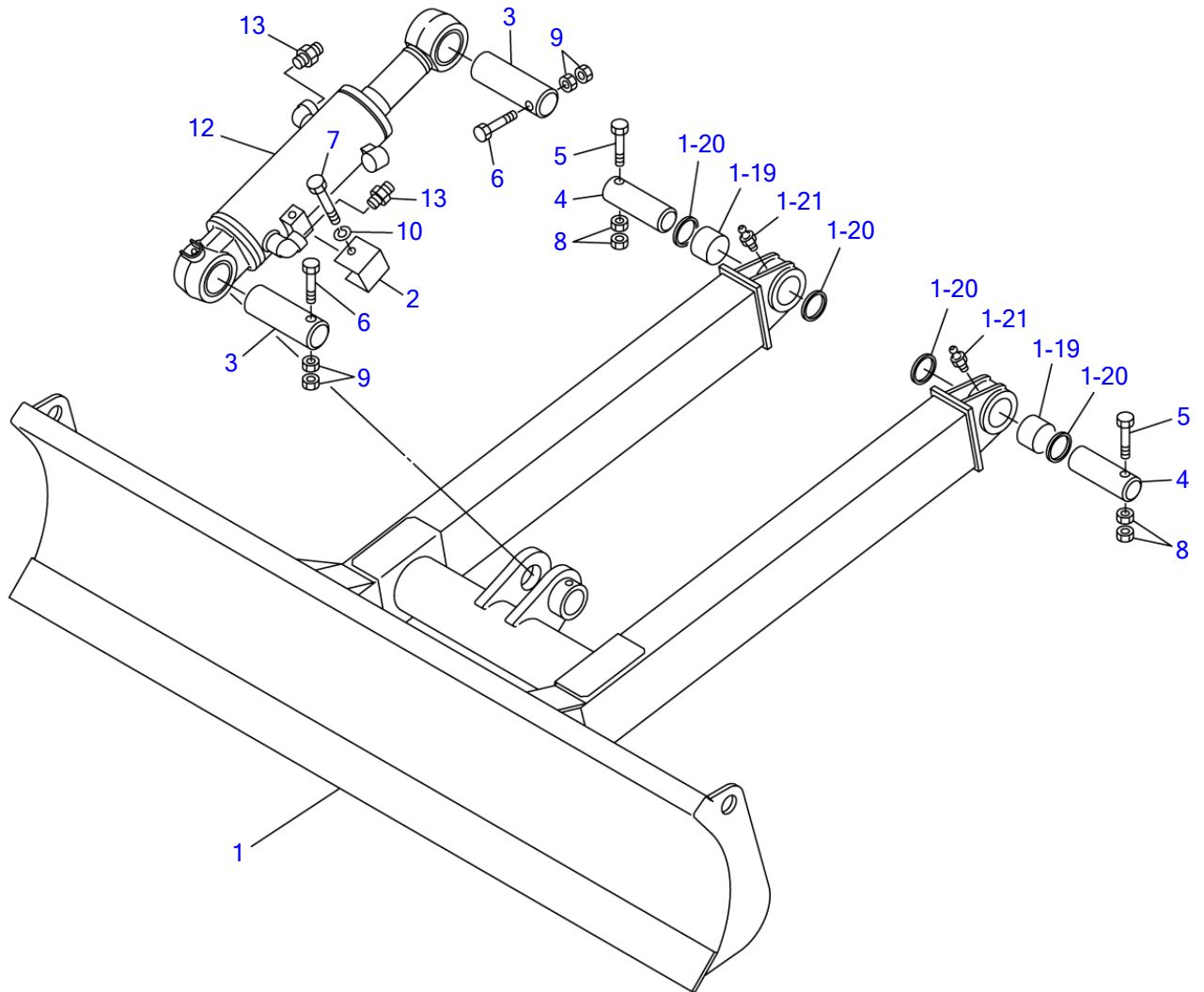


S=1/5

**SWIVEL JOINT & ACCESSORIES**

| Item | Part number | Description        | Q'ty | Chan. | Serial No.        | Serv. | Remarks        |
|------|-------------|--------------------|------|-------|-------------------|-------|----------------|
|      |             | JOINT ASSY, swivel |      |       |                   |       | X04421-02000-3 |
| 1    | 0442100100  | STOPPER            | 1    |       |                   |       |                |
| 2    | 1904005900  | JOINT, swivel      | 1    |       |                   |       |                |
| 3    | 1101041230  | BOLT               | 2    |       |                   |       |                |
| 4    | 1140020012  | WASHER, spring     | 2    |       |                   |       |                |
| 5    | 1101041240  | BOLT               | 4    |       |                   |       |                |
| 6    | 1141100012  | WASHER             | 4    |       |                   |       |                |
| 7    | 0432102100  | ELBOW              | 1    |       |                   |       |                |
| 9    | 0007203021  | ADAPTOR            | 2    |       | 13510004~13512700 |       |                |
| 10   | 1515600201  | ADAPTOR            | 2    |       | 13510004~13512700 |       |                |
|      | 1515600201  | ADAPTOR            | 4    | (H)   | 13512701~         |       |                |
|      | 1420010140  | · O-RING           | 1    |       |                   |       |                |
| 11   | 1515010041  | ELBOW              | 6    |       |                   |       |                |
|      | 1420010140  | · O-RING           | 1    |       |                   |       |                |
| 12   | 1515100111  | ELBOW              | 2    |       |                   |       |                |
|      | 1420010140  | · O-RING           | 1    |       |                   |       |                |
| 13   | 1515012040  | ELBOW              | 3    |       |                   |       |                |
|      | 1420010110  | · O-RING           | 1    |       |                   |       |                |
| 14   | 1511250002  | ELBOW              | 2    |       |                   |       |                |
| 16   | 1420010140  | O-RING             | 12   |       |                   |       |                |
| 17   | 1420010110  | O-RING             | 3    |       |                   |       |                |
|      | G4a071      |                    |      |       |                   |       |                |

TB135 Book No. BG4Z010 S/N 13510004-  
DOZER BLADE (13510004-13514050)

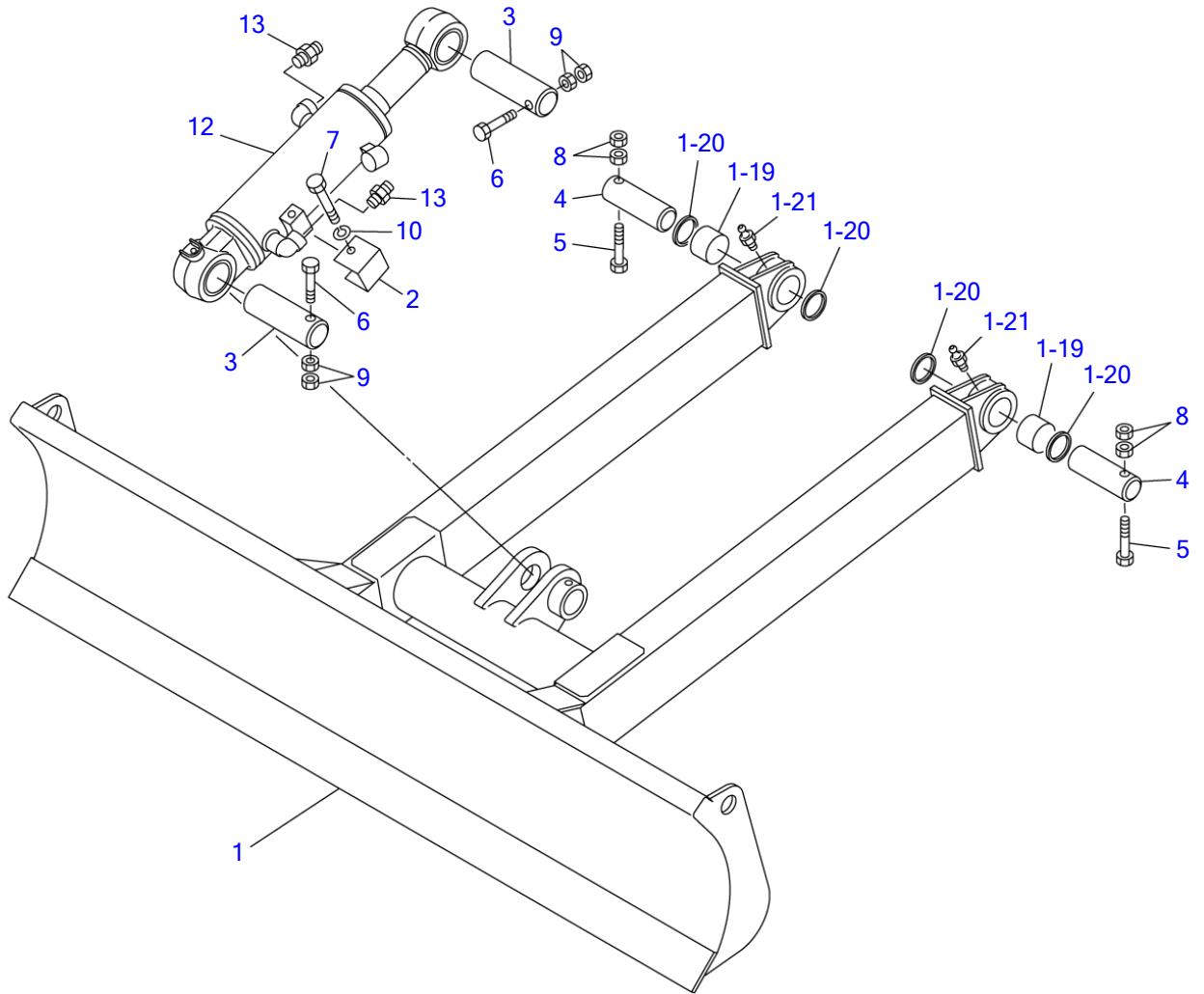


G4A080

S=1/12

**DOZER BLADE (13510004-13514050)**

| Item | Part number       | Description           | Q'ty | Chan. | Serial No.        | Serv. | Remarks        |
|------|-------------------|-----------------------|------|-------|-------------------|-------|----------------|
|      |                   | BLADE ASSY, dozer     |      |       |                   |       | X03763-07000-1 |
| 1    | <b>0376305100</b> | BLADE SUB ASSY, dozer | 1    |       | 13510004~13510559 |       |                |
|      | <b>0376307100</b> | BLADE SUB ASSY, dozer | 1    | (H)   | 13510560~         |       |                |
| 1-19 | <b>0436312300</b> | • BUSHING             | 2    |       |                   |       |                |
| 1-20 | <b>1432200040</b> | • SEAL, dust          | 4    |       |                   |       |                |
| 1-21 | <b>1560001000</b> | • FITTING, grease     | 2    |       |                   |       |                |
| 2    | <b>0426300400</b> | COVER                 | 1    |       |                   |       |                |
| 3    | <b>0001606140</b> | PIN                   | 2    |       |                   |       |                |
| 4    | <b>0001603125</b> | PIN                   | 2    |       |                   |       |                |
| 5    | <b>1103041080</b> | BOLT                  | 2    |       |                   |       |                |
| 6    | <b>1103141200</b> | BOLT                  | 2    |       |                   |       |                |
| 7    | <b>1100040860</b> | BOLT                  | 1    |       |                   |       |                |
| 8    | <b>1130240010</b> | NUT                   | 4    |       |                   |       |                |
| 9    | <b>1130240012</b> | NUT                   | 4    |       |                   |       |                |
| 10   | <b>1140020008</b> | WASHER, spring        | 1    |       |                   |       |                |
| 12   | <b>1900055100</b> | CYLINDER, dozer blade | 1    |       |                   |       |                |
| 13   | <b>1515600201</b> | ADAPTOR               | 2    |       |                   |       |                |
|      | <b>1420010140</b> | • O-RING              | 1    |       |                   |       |                |
|      | <b>G4a081</b>     |                       |      |       |                   |       |                |

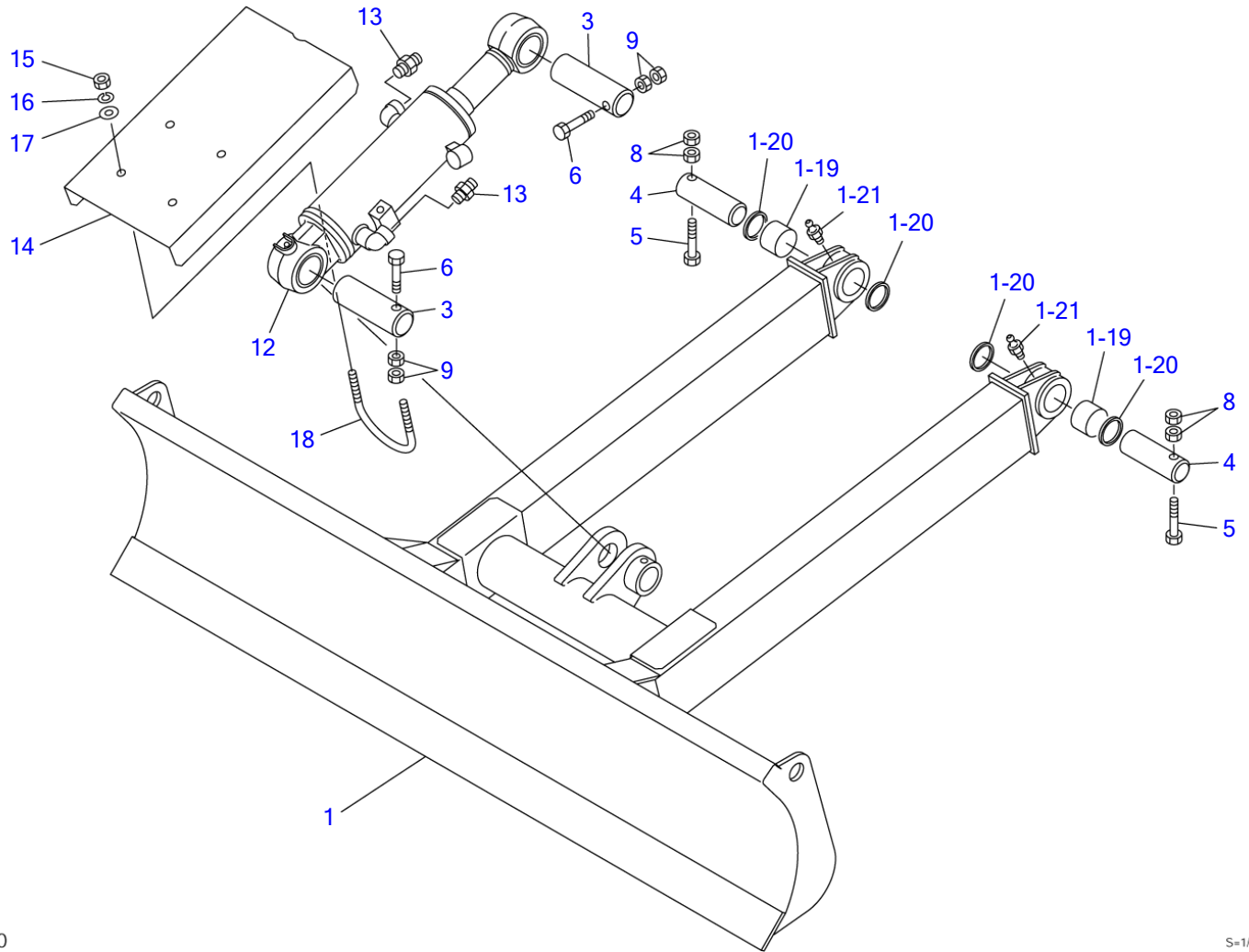


G4A081

S=1/12

**DOZER BLADE (13514051-)**

| Item | Part number       | Description           | Q'ty | Chan. | Serial No. | Serv. | Remarks        |
|------|-------------------|-----------------------|------|-------|------------|-------|----------------|
|      |                   | BLADE ASSY, dozer     |      |       |            |       | X03763-10000-1 |
| 1    | <b>0376307100</b> | BLADE SUB ASSY, dozer | 1    |       |            |       |                |
| 1-19 | <b>0436312300</b> | • BUSHING             | 2    |       |            |       |                |
| 1-20 | <b>1432200040</b> | • SEAL, dust          | 4    |       |            |       |                |
| 1-21 | <b>1560001000</b> | • FITTING, grease     | 2    |       |            |       |                |
| 2    | <b>0426300400</b> | COVER                 | 1    |       |            |       |                |
| 3    | <b>0001606140</b> | PIN                   | 2    |       |            |       |                |
| 4    | <b>0001603125</b> | PIN                   | 2    |       |            |       |                |
| 5    | <b>1103041080</b> | BOLT                  | 2    |       |            |       |                |
| 6    | <b>1103141200</b> | BOLT                  | 2    |       |            |       |                |
| 7    | <b>1100040860</b> | BOLT                  | 1    |       |            |       |                |
| 8    | <b>1130240010</b> | NUT                   | 4    |       |            |       |                |
| 9    | <b>1130240012</b> | NUT                   | 4    |       |            |       |                |
| 10   | <b>1140020008</b> | WASHER, spring        | 1    |       |            |       |                |
| 12   | <b>1900091700</b> | CYLINDER, dozer blade | 1    |       |            |       |                |
| 13   | <b>1515600201</b> | ADAPTOR               | 2    |       |            |       |                |
|      | <b>1420010140</b> | • O-RING              | 1    |       |            |       |                |
|      | <b>G4a083</b>     |                       |      |       |            |       |                |



G4A130

S=1/12