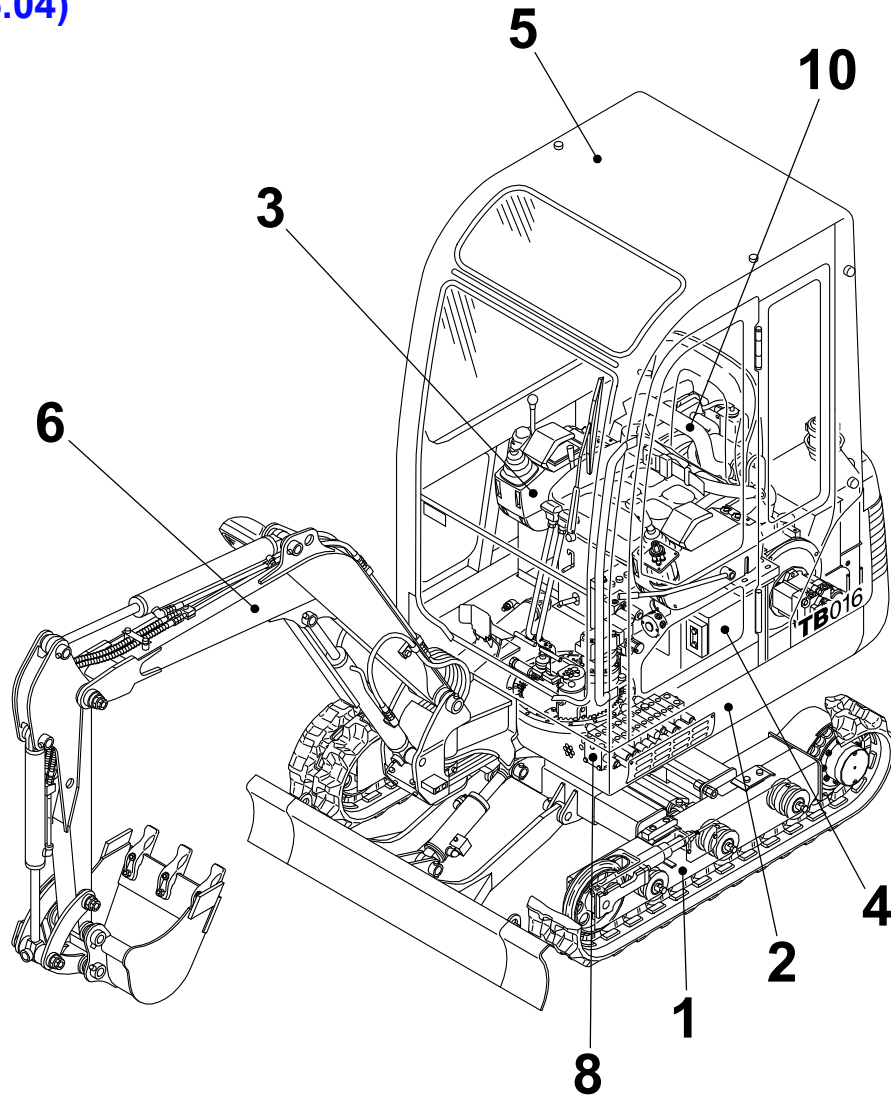


TB014

Book No. BC4Z004
Serial No. 11400003-11401973
(2005.04)



TAKEUCHI

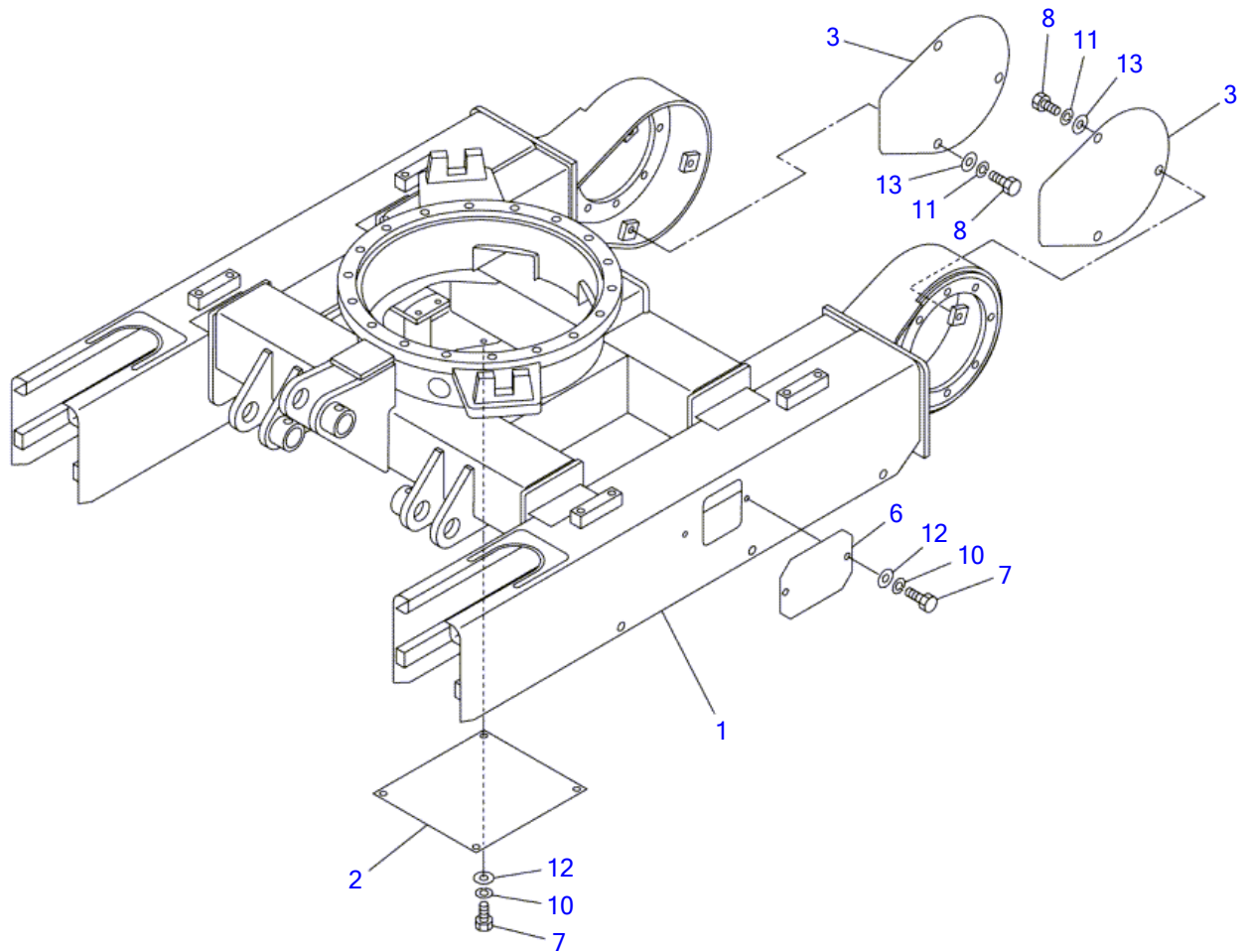
Product: Takeuchi TB014 Mini Compact Excavator Workshop Part Manual(Book No.BC4Z004)

Full Download: <https://www.arepairmanual.com/downloads/takeuchi-tb014-mini-compact-excavator-workshop-part-manualbook-no-bc4z004/>

Sample of manual. Download All 437 pages at:

<https://www.arepairmanual.com/downloads/takeuchi-tb014-mini-compact-excavator-workshop-part-manualbook-no-bc4z004/>

					INDEX						
Item	Part number	Description	Q'ty	Chan.	Serial No.	Serv.	Remarks				
1		UNDERCARRIAGE									
2		TURNTABLE & CONTROL LEVER									
3		ENGINE & ELECTRICAL SYSTEM									
4		HYDRAULIC PIPNG & TANK									
5		COVER & CAB									
6		HOE ATTACHMENT									
7		DECAL & TOOL									
8		HYDRAULIC DEVICE									
10		ENGINE(3TNE68-NTB)									
		ENGINE(3TNE68-TB1,ETB1)									
		2005.02.14									
99		KITS, ATTACHMENTS AND QUICK REFERENCE									

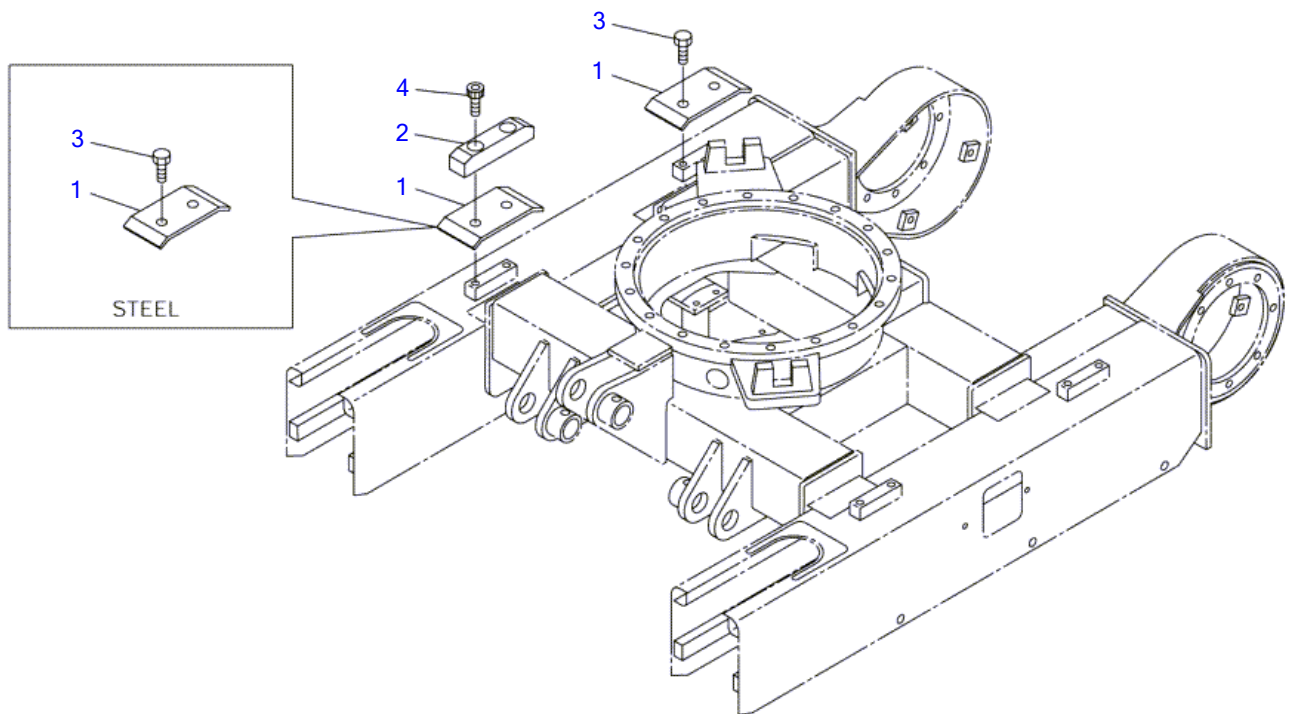


C4A011

S-1/10

LOWER FRAME

Item	Part number	Description	Q'ty	Chan.	Serial No.	Serv.	Remarks
		FRAME ASSY, lower					X03310-30000-1
1	X *****	FRAME	1				
2	0331010400	PLATE	1				
3	0331021003	COVER	2				
6	0331018600	COVER	2				
7	1100040816	BOLT	8				
8	1100041020	BOLT	6				
10	1140020008	WASHER, spring	8				
11	1140020010	WASHER, spring	6				
12	1141110008	WASHER	8				
13	1141110010	WASHER	6				
	C4a012						

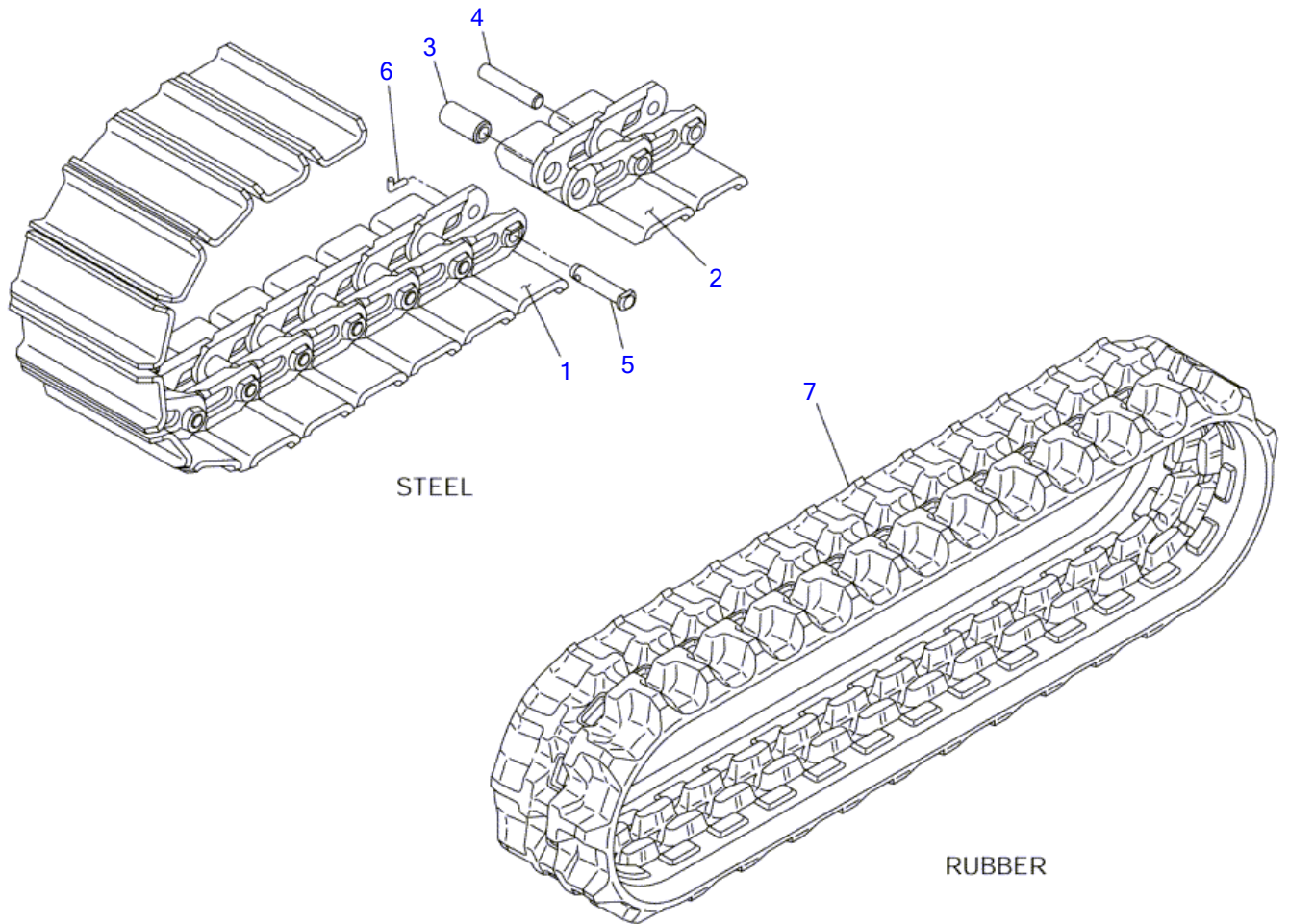


C4A200

S-1/10

SHOE SLIDE

Item	Part number	Description	Q'ty	Chan.	Serial No.	Serv.	Remarks
		SHOE SLIDE ASSY (rubber)					X03312-02000-0
		SHOE SLIDE ASSY (steel)					X03312-02100-0
1	0421013800	SLIDE, shoe	4				
2	0331011200	GUIDE	2				rubber
3	1100041020	BOLT	4				rubber
	1100041020	BOLT	8				steel
4	1110041030	SCREW, cap	4				
	C4a200						

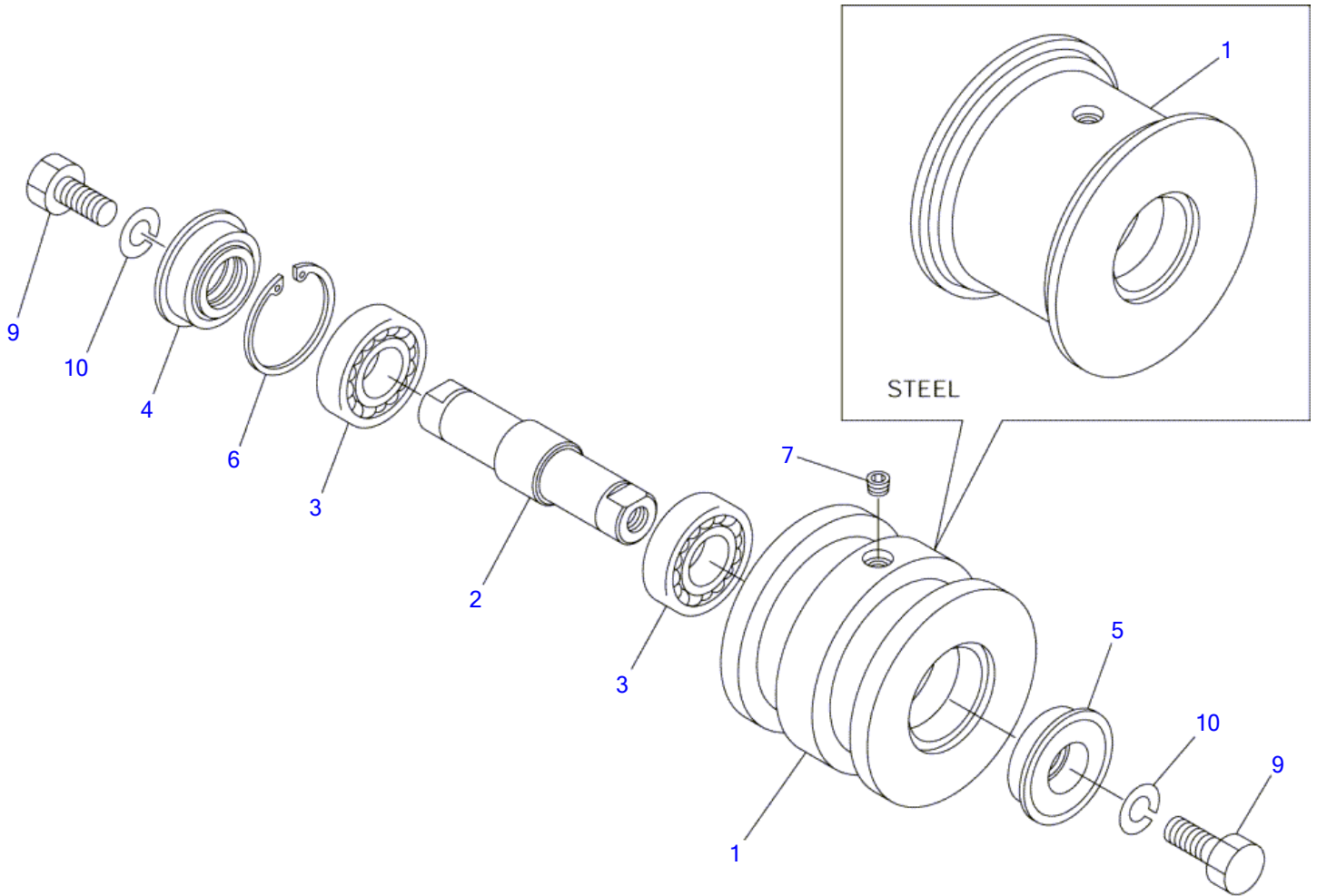


C4A030

S-1/8, 1/10

CRAWLER BELT

Item	Part number	Description	Q'ty	Chan.	Serial No.	Serv.	Remarks
0	1914050300	BELT, steel crawler	2				X19140-50300-0
1	1914050214	▪ PLATE ASSY, master	1				
2	1914050213	▪ PLATE ASSY	31				
3	1914050005	▪ BUSHING	32				
4	1914050006	▪ PIN, track	31				
5	1914050007	▪ PIN, master	1				
6	1914050008	▪ PIN, coter	1				
7	1914049300	BELT, rubber crawler	2		11400003~11400328		
	1914049800	BELT, rubber crawler	2	(H)	11400329~11400424		short pitch
	1914080400	BELT, rubber crawler	2	(H)	11400425~		short pitch
	C4a031S						

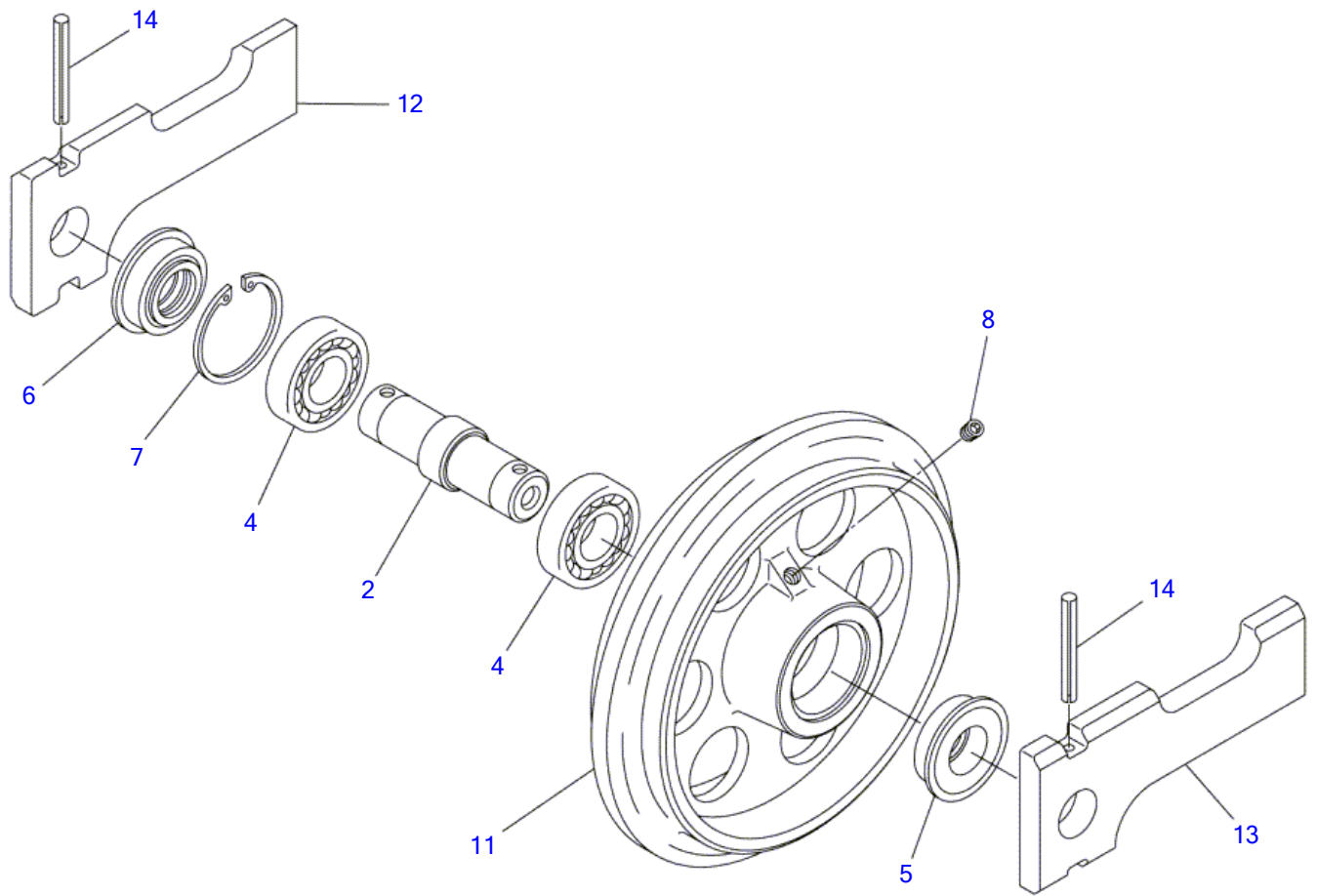


C4A040

S-1/3

TRACK ROLLER

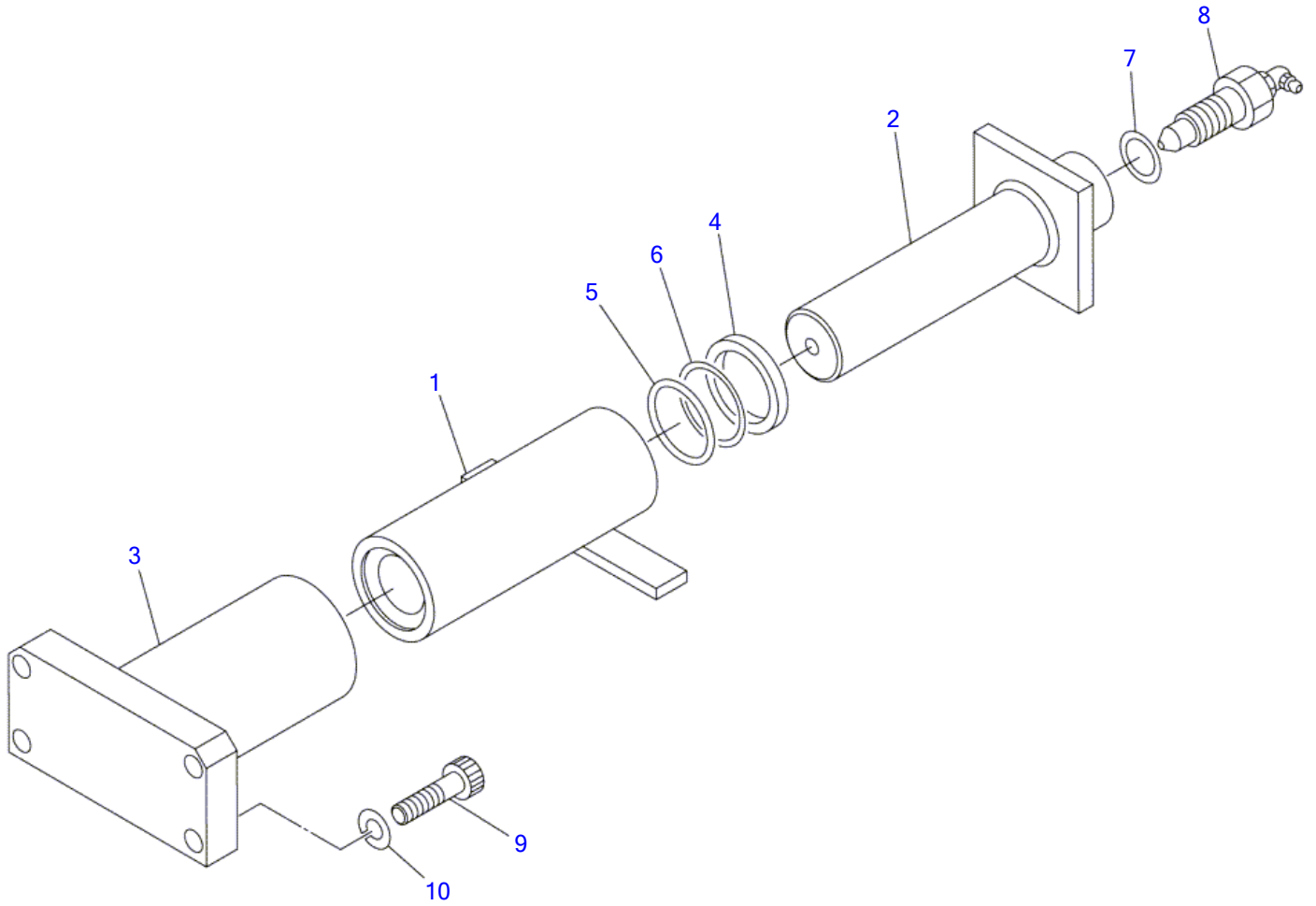
Item	Part number	Description	Q'ty	Chan.	Serial No.	Serv.	Remarks
		ROLLER ASSY, track (rubber crawler)					X03313-06000-1
		ROLLER ASSY, track (steel crawler)					X03313-07000-1
0-1	0331306100	ROLLER SUB ASSY	6				rubber crawler
	0331307100	ROLLER SUB ASSY	6				steel crawler
1	0331306200	• SHELL	1				rubber crawler
	0331307200	• SHELL	1				steel crawler
2	0421301300	• SHAFT	1				
3	1300006205	• BEARING	2				
4	1431202552	• SEAL	1				
5	1431202547	• SEAL	1				
6	1221000052	• RING, snap	1				
7	1501810001	• PLUG	1				
9	1101041225	BOLT	12				
10	1140010012	WASHER, spring	12				
	C4a042						



C4A050

S-1/4

FRONT IDLER						
Item	Part number	Description	Q'ty	Chan.	Serial No.	Serv. Remarks
		IDLER ASSY, front				X03314-04000-1
0-1	0421401200	IDLER SUB ASSY	2			
2	0421400200	▪ SHAFT	1			
4	1300006206	▪ BEARING	2			
5	1431203055	▪ SEAL	1			
6	1431203062	▪ SEAL	1			
7	1221000062	▪ RING, snap	1			
8	1501810001	▪ PLUG	1			
11	0421401100	▪ IDLER	1			
12	0331404600	YOKE (R.H.)	2			
13	0331404700	YOKE (L.H.)	2			
14	1213000670	PIN, spring	4			
	C4a052					

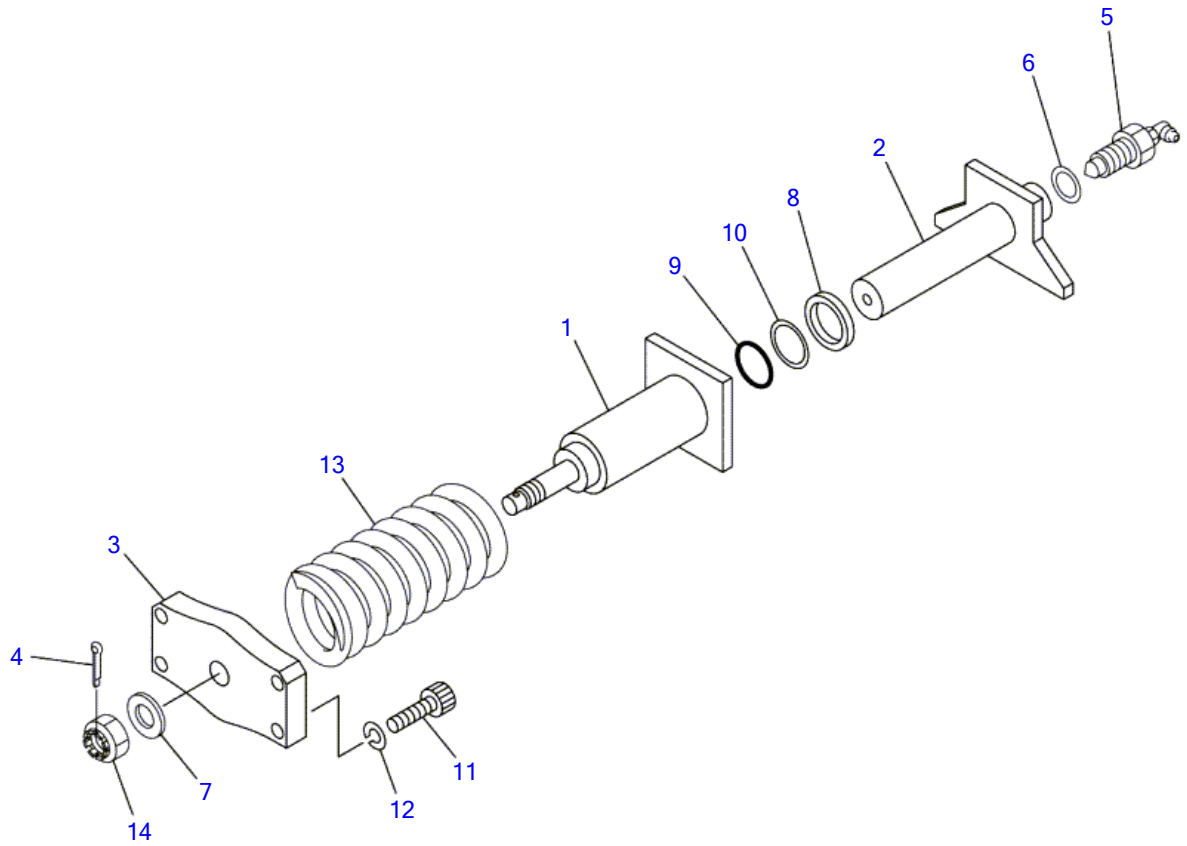


C4A060

S-1/3

TRACK ADJUSTER (11400003-11400782)

Item	Part number	Description	Q'ty	Chan.	Serial No.	Serv.	Remarks
0-1	0331506500	ADJUSTER ASSY, track	2				X03315-06500-1
1	0331506100	▪ CYLINDER, grease	1				
2	0331506200	▪ PISTON	1		11400003~11400010		
	0331506600	▪ PISTON	1	(H)	11400011~		
3	0331505300	▪ PLATE	1		11400003~11400010		
	0331506700	▪ PLATE	1	(H)	11400011~		
4	1400502033	▪ SEAL, oil	1				
5	1422010350	▪ O-RING	1				
6	1421020350	▪ RING, back-up	1				
7	1541201616	▪ WASHER	1				
8	1541301602	▪ VALVE ASSY, check	1				
9	1110041035	SCREW, cap	8				
10	1140420010	WASHER, spring	8				
	C4a062S						

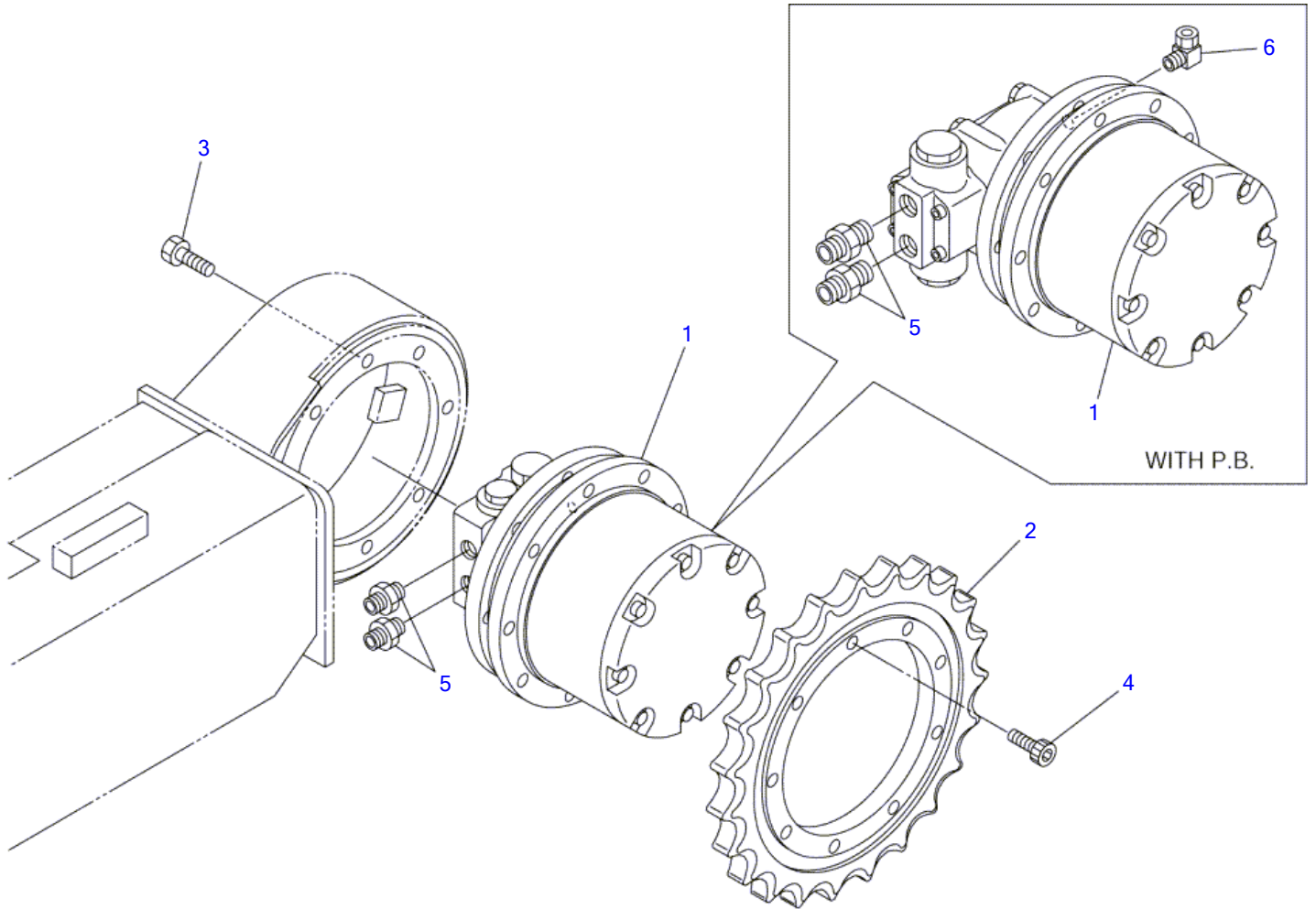


C4A150

S-1/5

TRACK ADJUSTER (11400783-)

Item	Part number	Description	Q'ty	Chan.	Serial No.	Serv.	Remarks
0-1	0331508500	ADJUSTER ASSY, track (R)	1				X03315-08500-4
	0331508900	ADJUSTER ASSY, track (L)	1				X03315-08900-4
1	0331508600	· CYLINDER, grease	1				
2	0331508700	· PISTON	1				
3	0331508030	· PLATE	1				
4	1210010440	· PIN, split	1				
5	1541301602	· VALVE ASSY, check	1				
6	1541201616	· WASHER	1				
7	1141540016	· WASHER	1				
8	1400401654	· SEAL, oil	1				
9	1422010300	· O-RING	1				
10	1421020300	· RING, back-up	1				
11	1110041035	SCREW, cap	8				
12	1140420010	WASHER, spring	8				
13	0007000018	SPRING	2				
14	1132080016	NUT	2				
	C4a152						

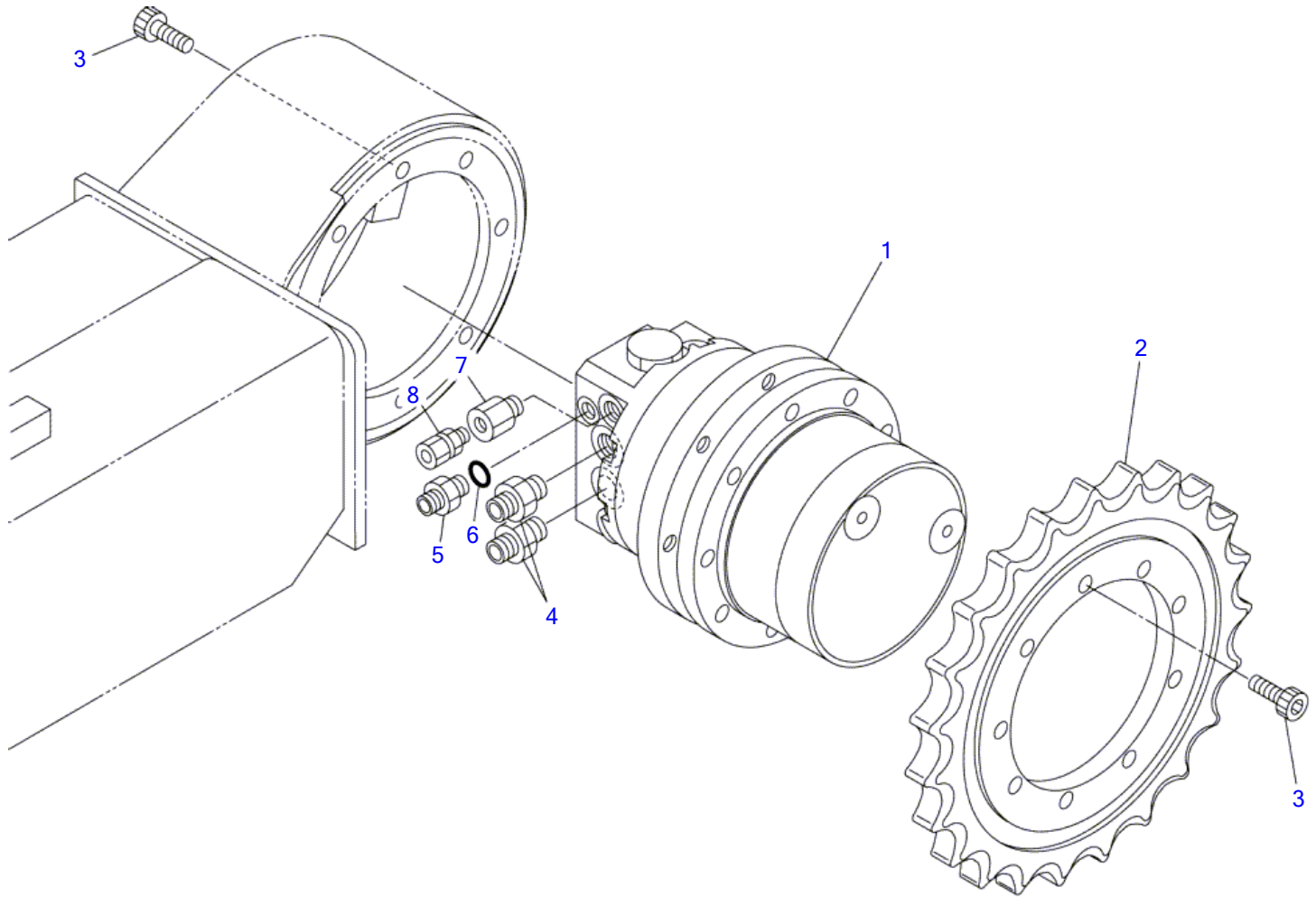


C4A071

S-1/5

TRAVEL DEVICE (11400003-11400436)

Item	Part number	Description	Q'ty	Chan.	Serial No.	Serv.	Remarks
		MOTOR ASSY, travel					X03316-16000-1
		MOTOR ASSY, travel (with P.B.)			11400263~11400436		X03316-18000-1
1	1903118000	MOTOR, travel	2				
	1903119800	MOTOR, travel	2		11400263~11400436		with P.B.
2	0331610100	SPROCKET	2				
3	1100241022	BOLT	16				
4	1110041025	SCREW, cap	18				
5	1515600200	ADAPTOR	4				
	1420010110	· O-RING	1			M	
	1515600576	ADAPTOR	4		11400263~11400436		with P.B.
	1420010140	· O-RING	1			M	
6	1532620802	ELBOW	2		11400263~11400436		with P.B.
	C4a071						

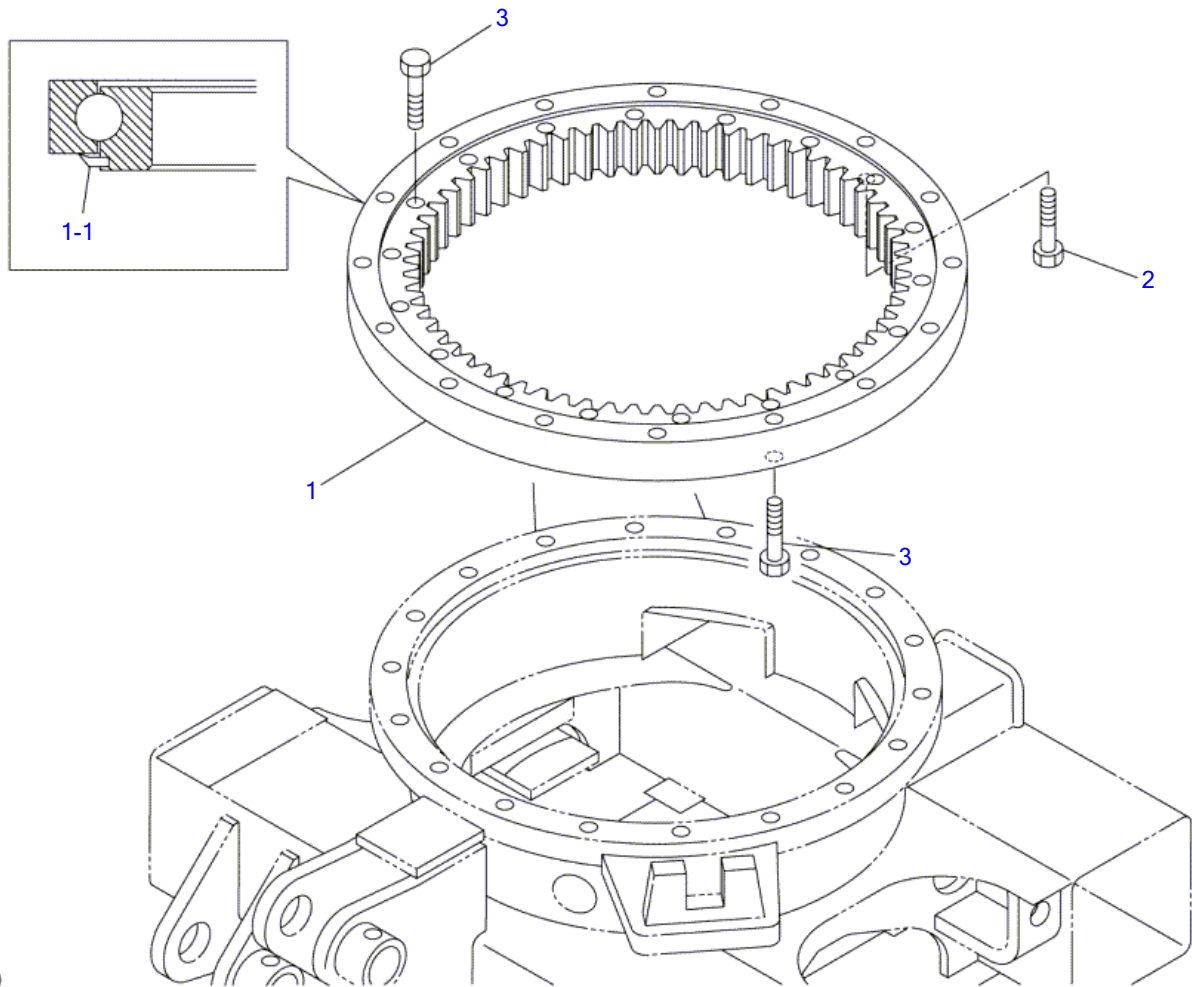


C4A160

S-1/4

TRAVEL DEVICE (11400437-)

Item	Part number	Description	Q'ty	Chan.	Serial No.	Serv.	Remarks
		MOTOR ASSY, travel					X03316-19000-0
1	1903121200	MOTOR, travel	2				
2	0421600100	SPROCKET	2				
3	1110041022	SCREW, cap	34				
4	1515600576	ADAPTOR	4				
	1420010140	· O-RING	1			M	
5	0007203059	NIPPLE	2				
6	1420010080	O-RING	2				
7	0007211014	BUSHING	2				
8	1532520801	CONNECTOR	2				
	C4a160S						

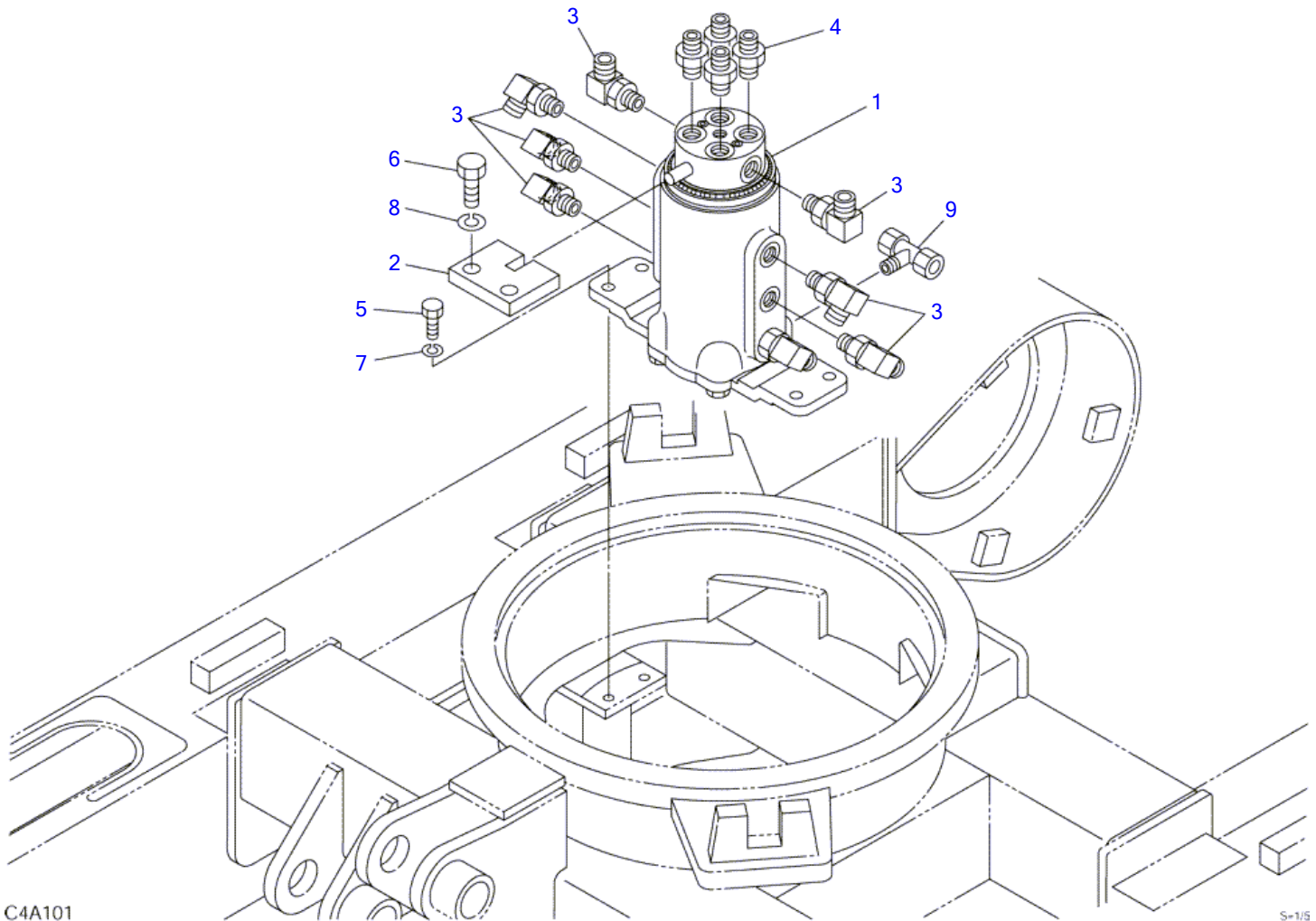


C4A090

S=1/5

SLEW BEARING

Item	Part number	Description	Q'ty	Chan.	Serial No.	Serv.	Remarks
		BEARING ASSY, slew					X03320-02000-1
1	1913003950	BEARING	1				
1-1	1913003959	• SEAL	1				
2	0422001100	BOLT	1				
3	1106251250	BOLT	33				
	C4a092						

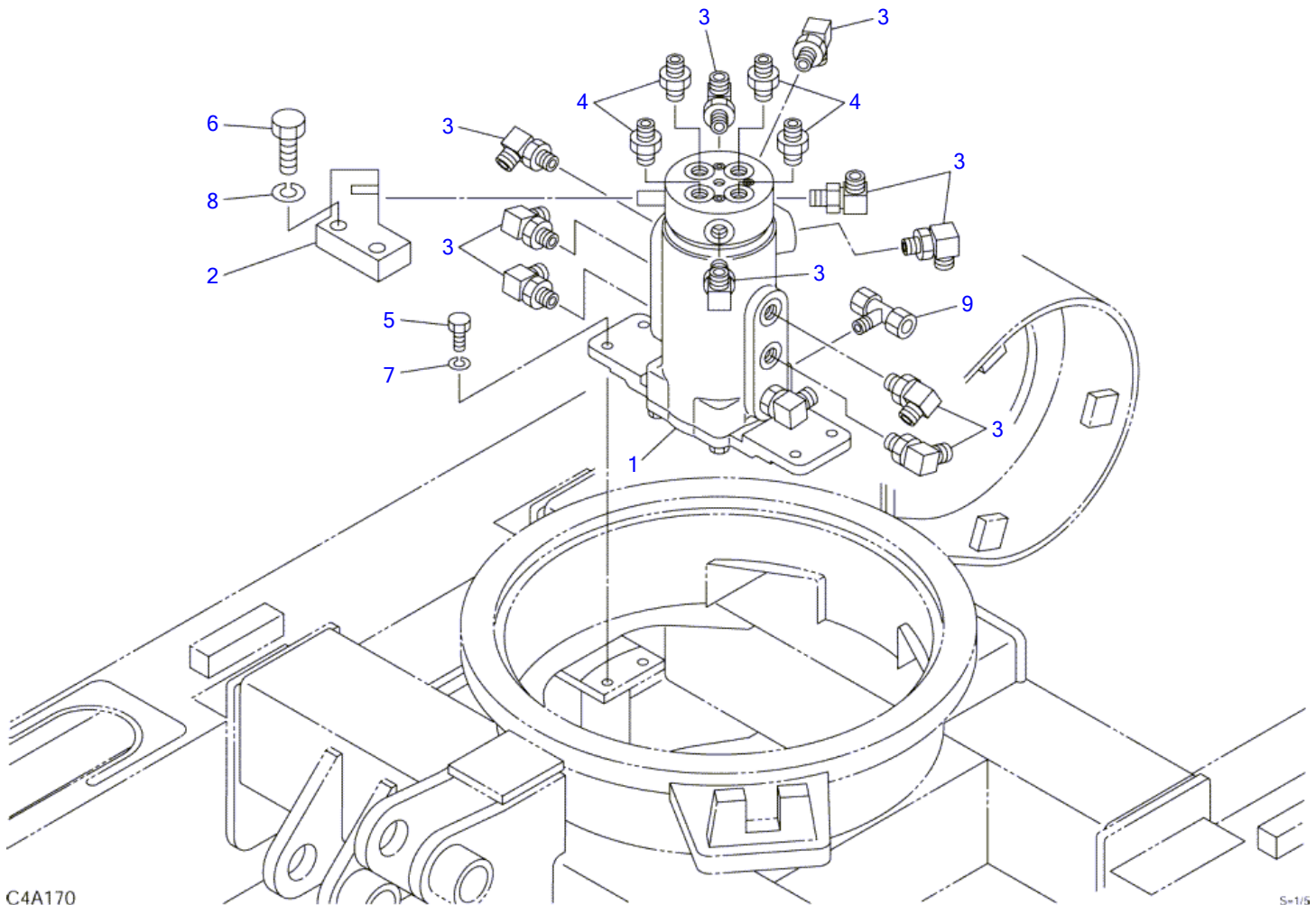


C4A101

S=1/5

SWIVEL JOINT & ACCESSORIES (11400003-11400436)

Item	Part number	Description	Q'ty	Chan.	Serial No.	Serv.	Remarks
		JOINT ASSY, swivel					X03321-13000-1
		JOINT ASSY, swivel (with P.B.)			11400263~11400436		X03321-17000-0
1	1904007900	JOINT, swivel	1				
2	0332113100	COLLAR	1				
3	1515012040	ELBOW	8				
	1420010110	• O-RING	1			M	
4	1515600200	ADAPTOR	4				
	1420010110	• O-RING	1			M	
5	1100040820	BOLT	4				
6	1101041235	BOLT	2				
7	1140020008	WASHER, spring	4				
8	1140020012	WASHER, spring	2				
9	1532720801	TEE	1				with P.B.
	C4a102						

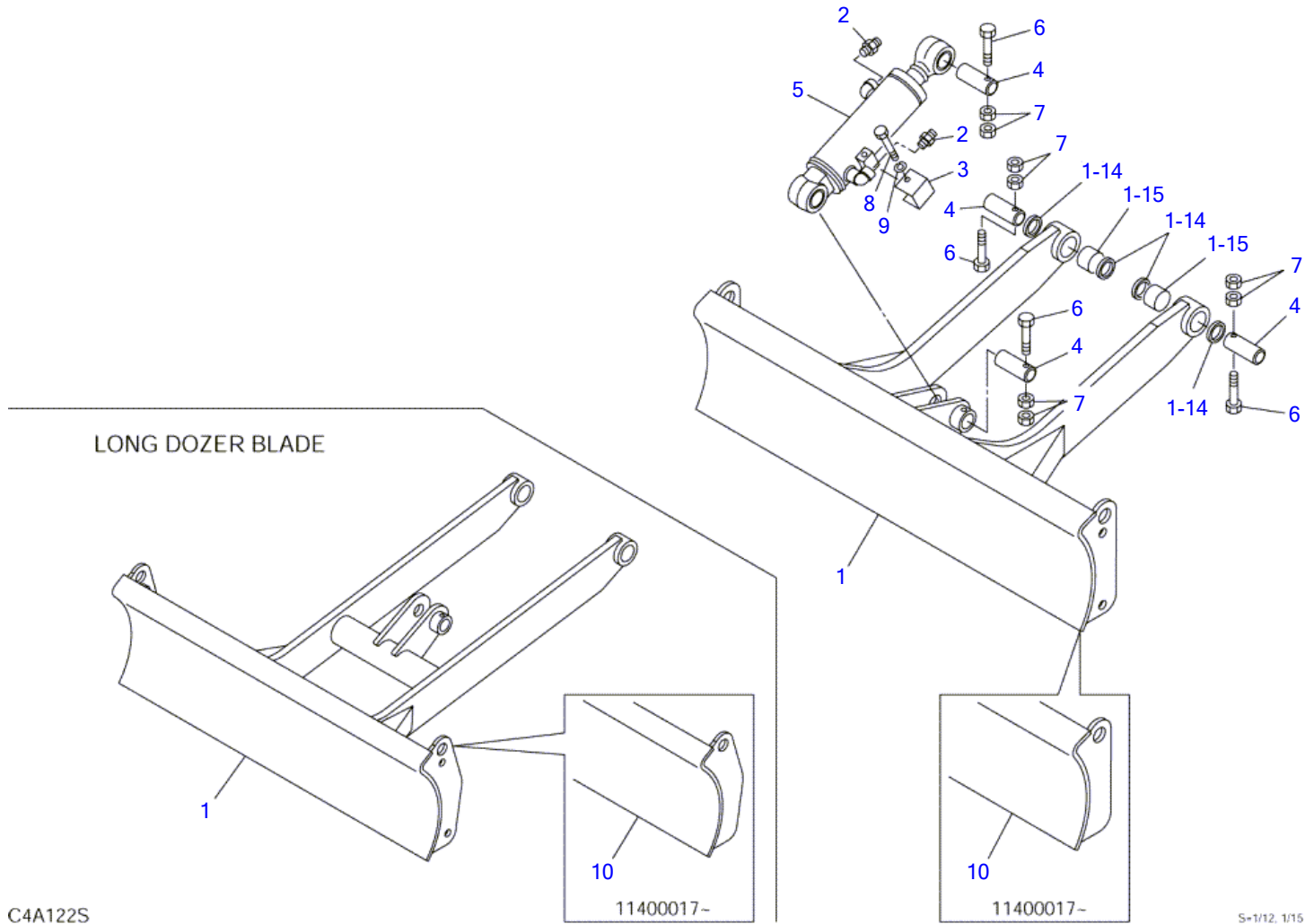


C4A170

S-1/5

SWIVEL JOINT & ACCESSORIES (11400437-)

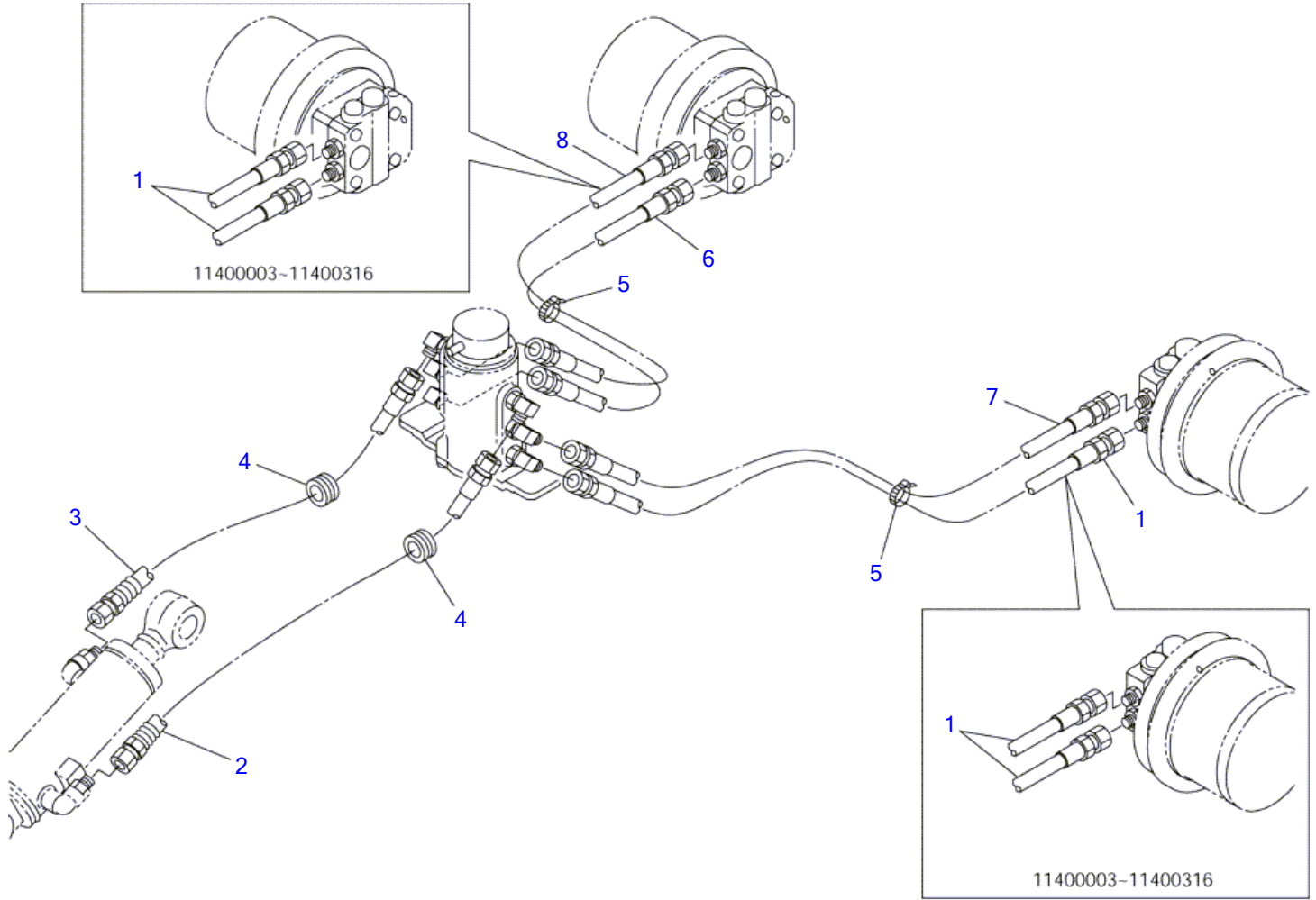
Item	Part number	Description	Q'ty	Chan.	Serial No.	Serv.	Remarks
		JOINT ASSY, swivel					X03321-19000-1
1	1904008100	JOINT, swivel	1				
2	0332119100	COLLAR	1				
3	1515012040	ELBOW	11				
	1420010110	• O-RING	1			M	
4	1515600200	ADAPTOR	4				
	1420010110	• O-RING	1			M	
5	1100040820	BOLT	4				
6	1101041235	BOLT	2				
7	1140020008	WASHER, spring	4				
8	1140020012	WASHER, spring	2				
9	1532720801	TEE	1				
	C4a171						



DOZER BLADE

Item	Part number	Description	Q'ty	Chan.	Serial No.	Serv.	Remarks
		BLADE ASSY, dozer					X03363-36000-3
		BLADE ASSY, dozer (long)					X03363-38000-3
1	0336332100	BLADE, dozer	1		11400003~11400010		595mm long
	0336336100	BLADE, dozer	1	(H)	11400011~11400016		595mm long
	0336334100	BLADE, dozer (long)	1		11400003~11400010		950mm long
	0336338100	BLADE, dozer (long)	1	(H)	11400011~11400016		950mm long
1-14	1432200030	• SEAL, dust	4				
1-15	0426007300	• BUSHING	2				
2	1515600200	ADAPTOR	2				
	1420010110	• O-RING	1			M	
3	0426300400	COVER	1				
4	0011601100	PIN	4				
5	1900070300	CYLINDER, dozer blade	1				
	1900074900	CYLINDER, dozer blade (long)	1				
6	1103040860	BOLT	4				
7	1130240008	NUT	8				
8	1100040860	BOLT	1				
9	1140020008	WASHER, spring	1				
10	0336336300	BLADE, dozer	1		11400017~		595mm long
	0336338300	BLADE, dozer (long)	1		11400017~		950mm long
	C4a122S						

TB014 Book No. BC4Z004 S/N 11400003-11401973
PIPING, LOWER (11400003-11400436)



C4A131

S=1/8