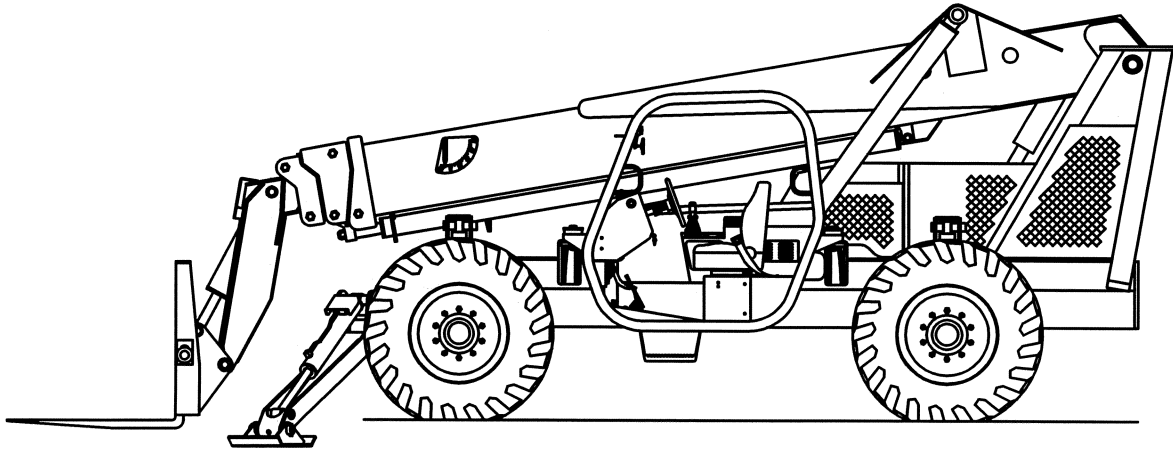


# PARTS BOOK TH1056C



DATE: 11-14-03

JOHN DEERE TIER II 4045 TURBO ENGINE

DANA 213 AXLES

CLARK T20000 TRANSMISSION

REMOTE MOUNTED SAF-T-CAB II

REXROTH HYDRAULIC PUMP

VOAC MAIN VALVE

VOAC 4-WAY CONTROLLER

Serial Number: \_\_\_\_\_

TEREX HANDLERS

455 N. Superior Ave., Baraga, MI 49908-0790

PH: (906) 353-6675; FAX: (906) 353-7543

INTERNET: <http://www.terex.com>

# INDEX / STANDARD EQUIPMENT

## TH1056C

PAGE	DESCRIPTION	DRAWING
1	SEAL KITS / TH1056C .....	P1-1870
2	LUBE CHART .....	P1-1586
3	FILTER GUIDE .....	P1-1887
4	DECALS .....	P1-1888
5	GENERAL ASSEMBLY .....	P1-1738
6	OPERATOR'S COMPARTMENT ASSEMBLY .....	P1-1917
7	POWER TRAIN ASSEMBLY .....	P1-1889
8	ENGINE and PUMP ASSY / JD-4045T .....	P1-1890
9	BOOM ASSEMBLY .....	P4-2138
10	STABILIZER ASSEMBLY .....	P1-1488
11	FOOT BRAKE ASSEMBLY .....	P1-1533
12	ACCELERATOR ASSEMBLY / PEDAL END .....	P1-1882
13	ENGINE ENCLOSURE ASSEMBLY / JD-4045T .....	P1-1891
14	EXHAUST ASSEMBLY / JD-4045T .....	P4-1765
15	AIR CLEANER ASSEMBLY / JD-4045T .....	P1-1892
16	DRIVESHAFT ASSEMBLY / FRONT .....	P1-1579
17	DRIVESHAFT ASSEMBLY / REAR .....	P1-1580
18	TIRE & WHEEL ASSEMBLY .....	P1-1668
19	ELECTRIC SCHEMATIC .....	P1-1879
20	WIRING DIAGRAM .....	P1-1750
21	INSTRUMENT PANEL ASSEMBLY .....	P1-1877
22	HYDRAULIC SCHEMATIC .....	P1-1871
23	CIRCUIT / PUMP / OIL RESERVOIR .....	P1-1898
24	CIRCUIT / LIFT-TILT .....	P1-1872
25	CIRCUIT / BOOM .....	P1-1873
26	CIRCUIT / 4-WAY CONTROLLER .....	P1-1874
27	CIRCUIT / PRESSURE CHECKS .....	P1-1478
28	CIRCUIT / STEERING .....	P1-1897
29	CIRCUIT / SWAY .....	P1-1506
30	CIRCUIT / FRONT STABILIZER .....	P1-1886
31	CIRCUIT / REAR AXLE LOCK-UP .....	P1-1481
32	CIRCUIT / PARKING BRAKE .....	P1-1482
33	CIRCUIT / BRAKE .....	P1-1572
34	CIRCUIT / OIL COOLER / JD-4045T .....	P1-1916
35	CIRCUIT / FUEL / JD-4045T .....	P1-1833
36	FUEL TANK ASSEMBLY .....	P1-1441
37	STARTER RELAY / SENDER ASSY / JD-4045T .....	P1-1834
38	BATTERY BOX ASSEMBLY .....	P1-1690
39	CYLINDER / LIFT / 7-316-325 .....	P4-2139
40	CYLINDER / TILT / 7-316-242 .....	P4-2099
41	CYLINDER / BOOM / 7-316-326 .....	P4-2140
42	CYLINDER / SWAY-REAR LOCK / 7-379-50 .....	P1-1876
43	CYLINDER / STABILIZER / 7-316-394 .....	P1-1510

## INDEX / STANDARD EQUIPMENT

### TH1056C

<u>PAGE</u>	<u>DESCRIPTION</u>	<u>DRAWING</u>
44	MOTION VALVE / BASE TILT CYLINDER.....	P3-1098
45	MOTION VALVE / HEAD TILT CYLINDER .....	P3-1097
46	MOTION VALVE / BOOM CYLINDER.....	P3-1096
47	MOTION VALVE / BASE LIFT CYLINDER.....	P3-1209
48	DUAL PILOT CHECK VALVE / 7-234-04 .....	P3-1100
49	ORBITRAL ASSEMBLY / 7-147-01 .....	P1-1554
50	SELECTOR VALVE / STEERING / 7-359-02 .....	P4-2009
51	RETURN FILTER ASSEMBLY / 7-118-01 .....	P1-1513
52	CONTROL BLOCK ASSEMBLY / 7-234-94 .....	P1-1451
53	4-WAY CONTROLLER ASSEMBLY / 7-200-139 .....	P1-1875
54	MAIN VALVE ASSEMBLY / 7-200-80.....	P4-1425
55	HYDRAULIC PUMP ASSEMBLY / 7-345-113 .....	P4-2059
56	ELECTRIC VALVE / 4-WAY / 7-367-09 .....	P1-1447
57	ELECTRIC VALVE / 4-WAY / 7-244-31 .....	P3-1140
58	CONTROLLER RELIEF VALVE / 7-367-01 .....	P1-1446
59	VALVE / BOOM ACTIVATED REAR-LOCK / 7-367-13 .....	P1-1456
60	VALVE / DIFFERENTIAL LOCK / 7-367-02 .....	P1-1460

## INDEX / OPTIONAL EQUIPMENT

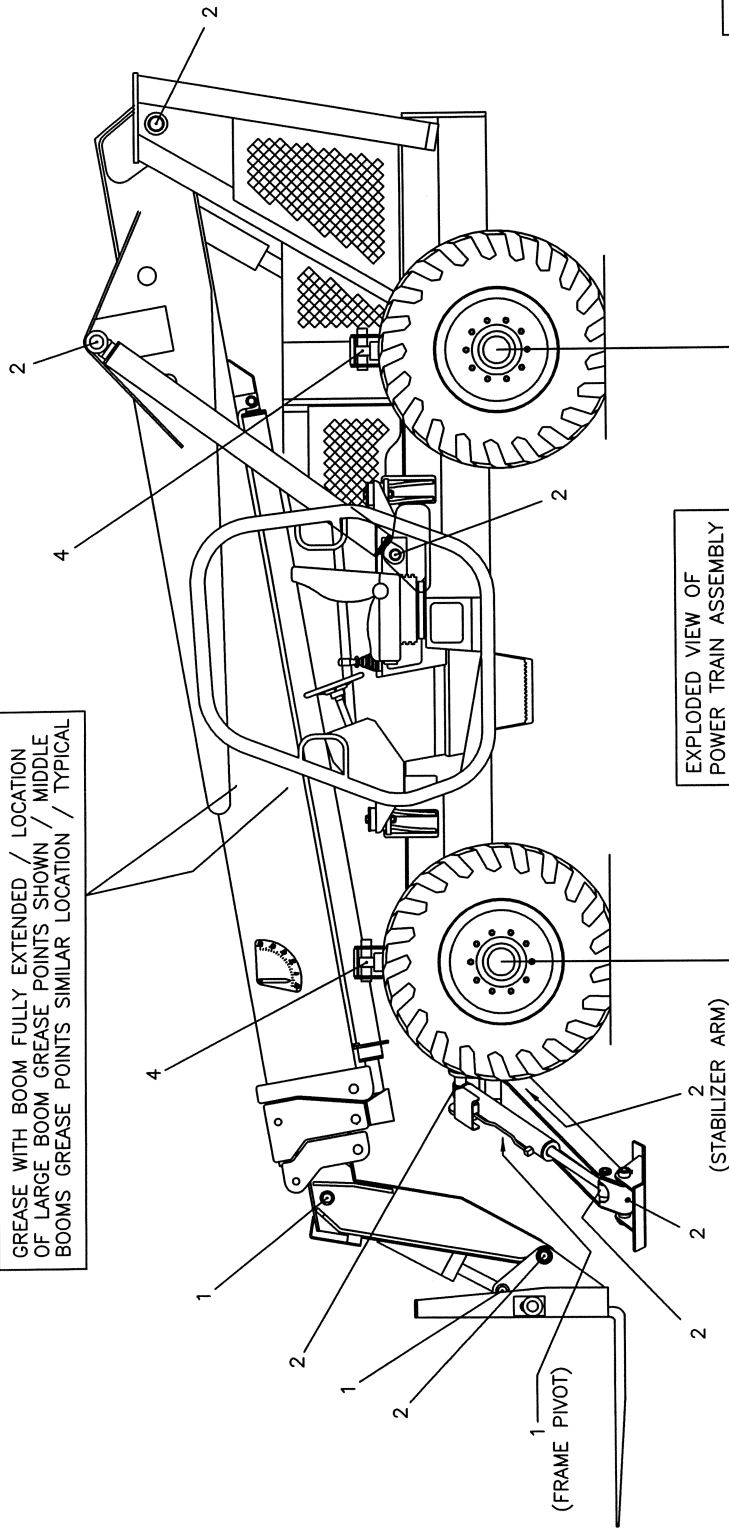
### TH1056C

61	FULLY ENCLOSED CAB ASSEMBLY .....	P1-1918
62	FORK FRAME ROTATE ASSEMBLY .....	P4-1492
63	ROTATE CYLINDER / 7-379-01 .....	P4-2020
64	DUAL PILOT CHECK VALVE .....	P3-1141
65	CIRCUIT / FORK ROTATE.....	P1-1561
66	HOSE ROLLER ASSEMBLY.....	P1-1569

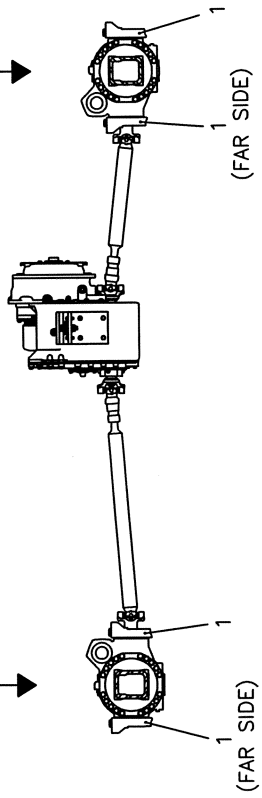
MANUFACTURER

PART NUMBER	NUMBER	DESCRIPTION	SEAL KIT
PPDB-LNN.....	7-234-13 .....	CARTRIDGE / REDUCING-RELIEVING .....	7-234-29
CKCB-XCN .....	7-234-62 .....	CARTRIDGE / PILOT CHECK .....	7-234-29
CXDA-XAN.....	7-234-16 .....	CARTRIDGE / CHECK .....	7-234-31
CXDA-XCN .....	7-234-80 .....	CARTRIDGE / CHECK .....	7-234-31
CKCD-XAN.....	7-234-18 .....	CARTRIDGE / PILOT CHECK .....	7-234-29
CKCD-XCN .....	7-234-18 .....	CARTRIDGE / PILOT CHECK .....	7-234-29
CBCA-LHN .....	7-234-19 .....	CARTRIDGE / COUNTERBALANCE .....	7-234-29
CBEA-LHN .....	7-234-22 .....	CARTRIDGE / COUNTERBALANCE .....	7-234-30
PPDB-LAN.....	7-234-28 .....	CARTRIDGE / REDUCING-RELIEVING .....	7-234-29
CAEA-LHN .....	7-234-53 .....	CARTRIDGE / COUNTERBALANCE .....	7-234-30
NFCC-LDN.....	7-234-37 .....	CARTRIDGE / NEEDLE .....	7-234-31
PTS1-6872 .....	7-304-07 .....	CARTRIDGE / MODULAR CONTROL.....	7-304-08
POC1-10-F-0-030 .....	7-321-88 .....	CARTRIDGE / PILOT CHECK .....	7-321-92
PRV2-10-F-0-030 .....	7-321-89 .....	CARTRIDGE / REDUCING-RELIEVING .....	7-321-91
DSV2-8-B-0 .....	7-321-90 .....	CARTRIDGE / SHUTTLE .....	7-321-93
DSV2-080-3B-N .....	7-367-03 .....	CARTRIDGE / NORMALLY CLOSED .....	7-367-18
DSV2-080-2NOS-N .....	7-367-06 .....	CARTRIDGE / NORMALLY OPEN .....	7-367-17
DSV2-080-4CO-N .....	7-367-10 .....	CARTRIDGE / 4-WAY .....	7-367-19
DSV2-080-3-N .....	7-367-14 .....	CARTRIDGE / NORMALLY OPEN .....	7-367-18
	7-379-50 .....	CYLINDER / SWAY-REAR LOCK / P1-1876.....	7-900-85
	7-316-325.....	CYLINDER / LIFT / P4-2139.....	7-900-93
	7-316-242.....	CYLINDER / TILT / P4-2099.....	7-900-22
	7-316-326.....	CYLINDER / BOOM / P4-2140.....	7-900-33
	7-379-01 .....	CYLINDER / ROTATE / P4-2020 .....	7-900-86
	7-316-394.....	CYLINDER / STABILIZER / P1-1510 .....	7-900-114
	7-198-48 .....	BRAKE ACTUATOR .....	7-198-49
	7-147-01 .....	ORBITRAL / STEERING .....	7-147-07
	7-358-08 .....	PARKING BRAKE VALVE .....	7-358-42

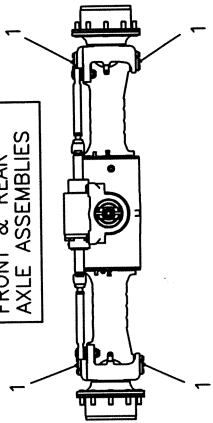
GREASE WITH BOOM FULLY EXTENDED / LOCATION OF LARGE BOOM GREASE POINTS SHOWN / MIDDLE BOOMS GREASE POINTS SIMILAR LOCATION / TYPICAL



EXPLODED VIEW OF POWER TRAIN ASSEMBLY



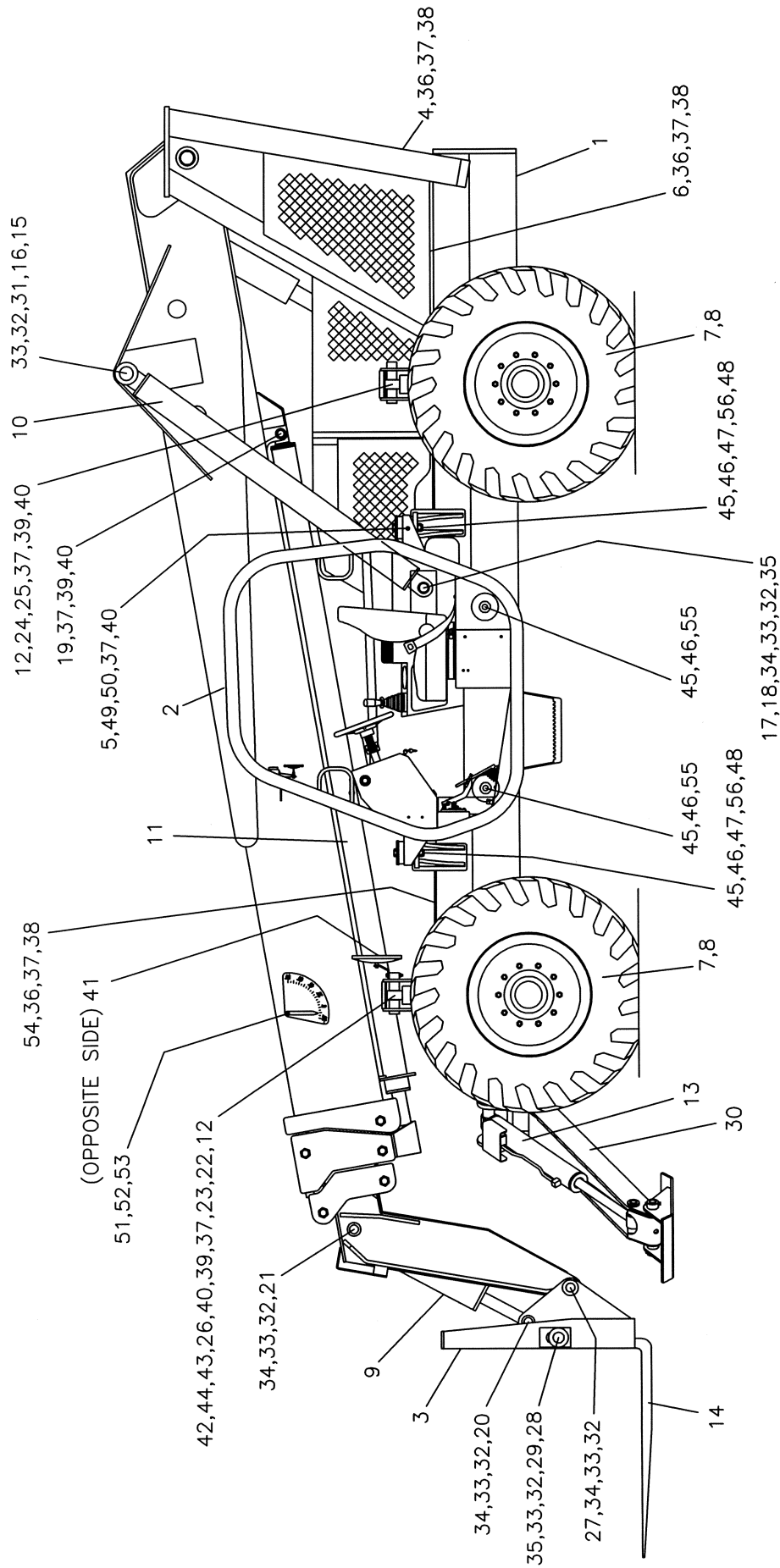
EXPLODED VIEW OF FRONT & REAR AXLE ASSEMBLIES



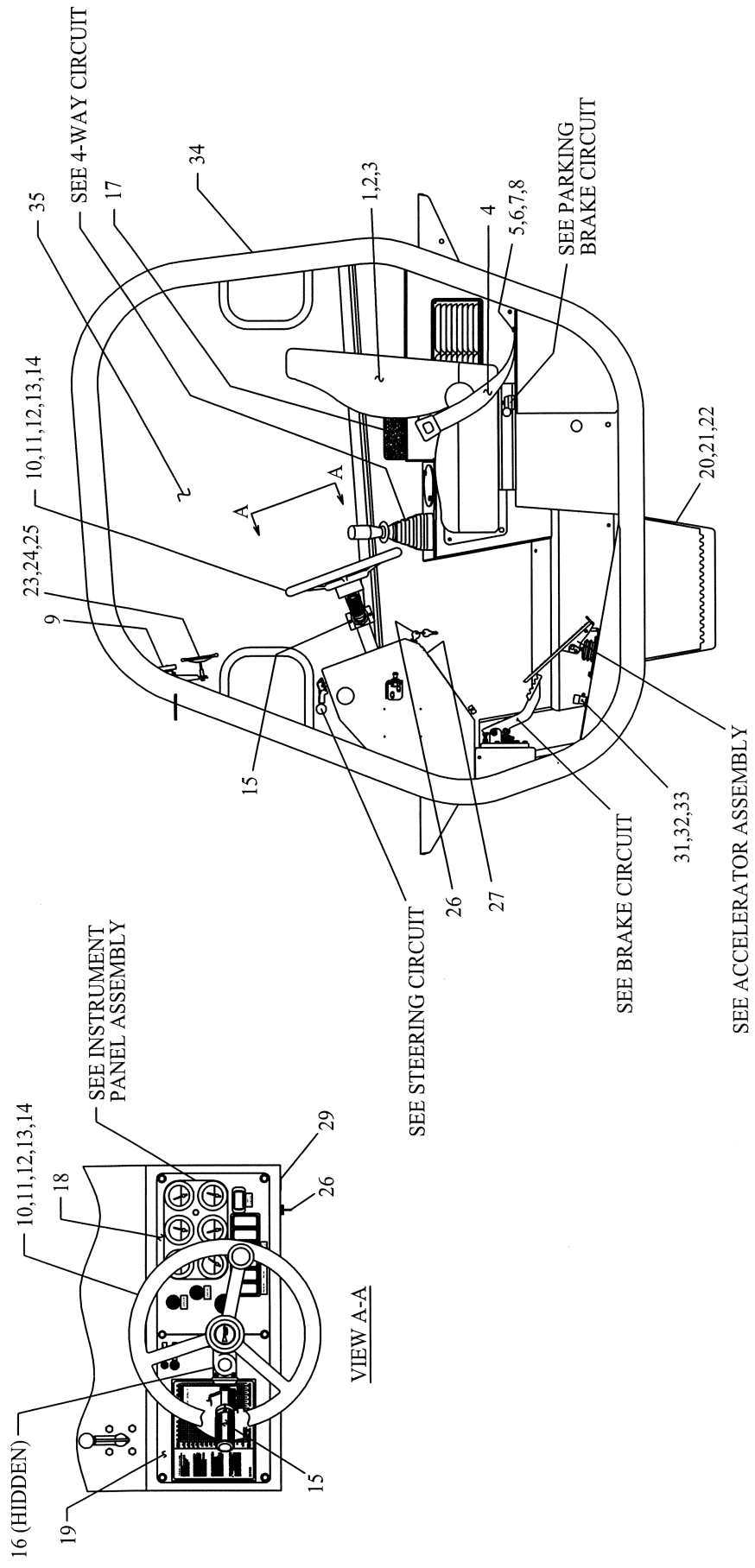
## TH1056C FILTER GUIDE

DESCRIPTION	PART NO.	APPLICATION
1. HYDRAULIC RETURN FILTER ELEMENT .....	7-118-02 .....	TH1056C
2. ENGINE OIL FILTER / JOHN DEERE .....	7-183-184 .....	TH1056C
3. ENGINE FUEL PRE-FILTER / JOHN DEERE .....	7-183-185 .....	TH1056C
4. ENGINE FUEL FINAL FILTER / JOHN DEERE..	7-183-186 .....	TH1056C
5. AIR CLEANER ELEMENT / PRIMARY .....	7-109-12 .....	TH1056C
6. AIR CLEANER ELEMENT / SAFETY .....	7-109-15 .....	TH1056C
7. TRANSMISSION OIL FILTER.....	7-126-112 .....	TH1056C
8. HYDRAULIC RESERVOIR FILLER-BREATHER .....	7-272-11 .....	TH1056C

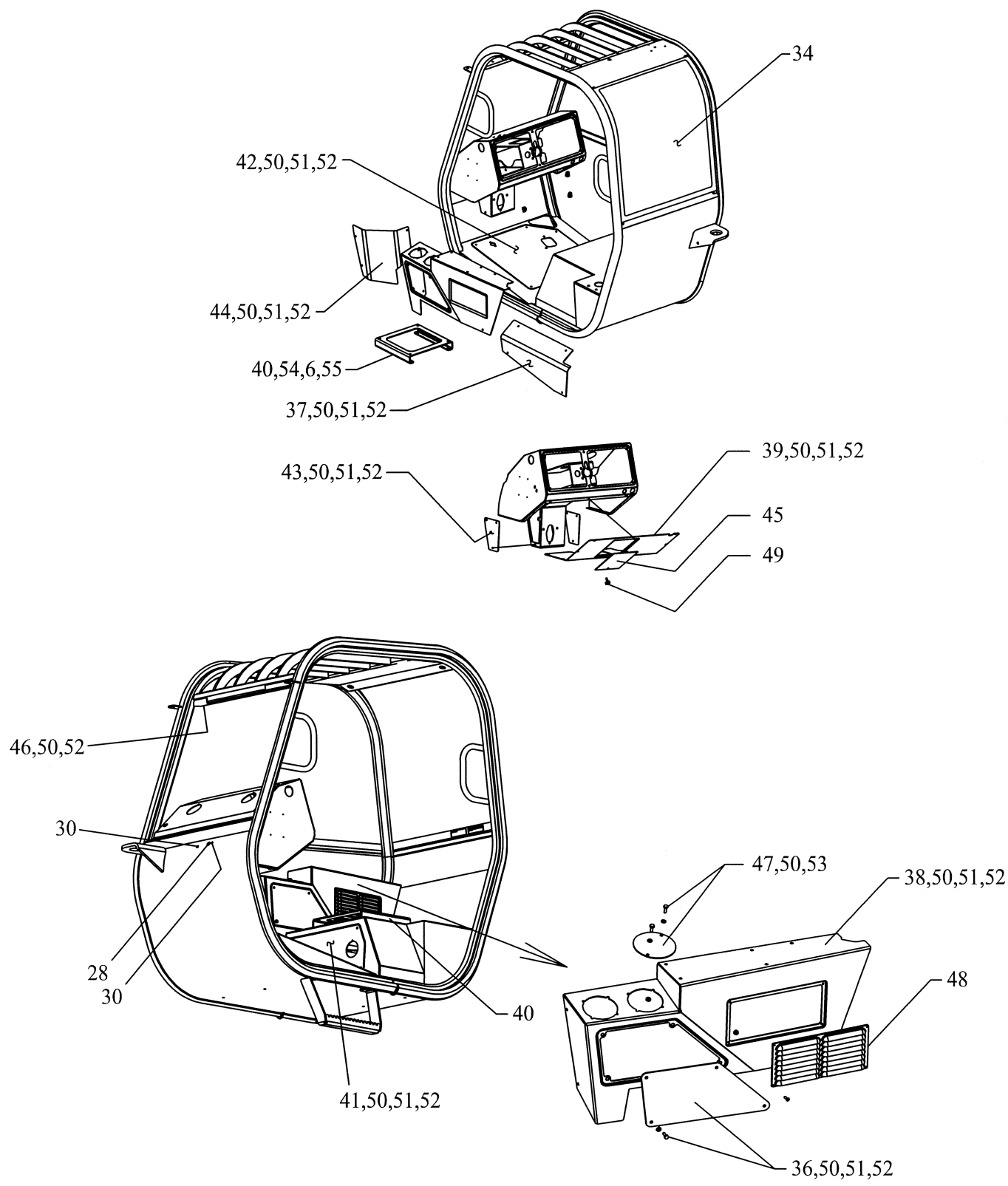
ITEM	NUMBER	DESCRIPTION	REQD
1	3-1485	DECAL / LOAD CHART / TH1056C	1
2	4-2282-5	DECAL / TH1056C TURBO	2
3	4-1401-1	DECAL / STEERING SELECTOR	1
4	4-1401-2	DECAL / DIESEL FUEL	1
5	4-1401-3	DECAL / HYDRAULIC OIL LEVEL	1
6	2-1279	DECAL / 4-WAY CONTROL	1
7	4-1401-8	DECAL / TRANSMISSION OIL	1
8	4-1401-10	DECAL / TRANSMISSION CONTROL	1
9	4-1105-11	DECAL / A	1
10	4-1105-12	DECAL / B	1
11	4-1105-13	DECAL / C	1
12	4-1105-14	DECAL / D	1
13	4-1105-15	DECAL / E	1
14	4-1105-16	DECAL / MADE IN USA	4
15	4-1105-19	DECAL / REAR AXLE STABILIZERS	1
16	3-1257-1	DECAL / HYDRAULIC OIL ONLY	1
17	1-1684	DECAL / AXLE DIFFERENTIAL LOCK	1
18	2-1290	DECAL / FALLING OBJECT HAZARD	1
19	2-1291	DECAL / ALWAYS USE THE SEAT BELT	1
20	2-1292	DECAL / READ THE OPERATORS MANUAL	1
21	2-1293	DECAL / BURN HAZARD	2
22	2-1294	DECAL / CRUSH HAZARD-PINCH POINT	10
23	2-1295	DECAL / OVERTURNING HAZARD	1
24	2-1296	DECAL / OVERTURNING HAZARD-SWAY	1
25	2-1297	DECAL / OVERTURNING HAZARD-TIRES	4
26	2-1298	DECAL / OVERHEAD CRUSH HAZARD	1
27	2-1299	DECAL / CRUSH HAZARD-PARKING BRAKE	1
28	2-1300	DECAL / CRUSH HAZARD-NO RIDERS	1
29	2-1301	DECAL / ELECTRICAL HAZARD	1
30	2-1302	DECAL / NOT A MAN-LIFT	2
31	2-1303	DECAL / EXPLOSION-BURN HAZARD-FLUIDS	2
32	2-1304	DECAL / EXPLOSION-BURN HAZARD-ACID	1
33	2-1337	DECAL / FILTER GUIDE / JOHN DEERE	1
34	7-349-01	DECAL / TEREX CROWN / SMALL	1
35	7-349-03	DECAL / TEREX CROWN / LARGE	3
36	3-1228-2	DECAL / BRAKE ON	1
37	3-1228-7	DECAL / BRAKE OFF	1
38	4-2111-3	DECAL / TEREX / LARGE	2
39	4-1880-1	DECAL / BOOM ANGLE / WHITE LETTERS	1
40	1-1285	DECAL / CHEVRON TRANSMISSION OIL	1
41	1-1286	DECAL / CHEVRON HYDRAULIC OIL	1
42	1-1287	DECAL / DAILY CHECK LIST	1
43	2-1223-1	DECAL / TECHNICAL SUPPORT	1
44	2-1267-1	DECAL / DASH GANG SWITCHES	1
45	2-1269-1	DECAL / SWAY CONTROL / DASH	1
46	2-1270-1	DECAL / PUMP OFF / DASH	1
47	2-1271-1	DECAL / BRAKE ON / DASH	1
48	2-1332-1	DECAL / BLINK CODE ENABLE / DASH	1
49	2-1333-1	DECAL / WARNING-BLINK CODE / DASH	1
50	7-900-174	DECAL KIT (ITEMS 1 THRU 49)	REF



ITEM	NUMBER	DESCRIPTION	REQD
1	4-2274	MAIN FRAME WELDMENT	1
2	7-132-96	CANOPY ASSEMBLY	1
3	4-1441	FORK FRAME / 48 WIDE	1
4	4-1751-1	REAR PANEL	1
5	7-319-17	GROUND STRAP / CAB	1
6	4-1751-2	SIDE PANEL / LH & RH	2
7	7-166-10	TIRE & WHEEL ASSY / RH / 14.00-24	2
8	7-166-11	TIRE & WHEEL ASSY / LH / 14.00-24	2
9	7-316-242	CYLINDER / TILT	1
10	7-316-325	CYLINDER / LIFT	2
11	7-316-326	CYLINDER / BOOM	1
12	7-379-50	CYLINDER / SWAY-REAR LOCK	4
13	7-316-394	CYLINDER / STABILIZER	2
14	3-1234	FORK TINE / 48 LG.	2
15	3-1092-1	PIN / HEAD LIFT CYLINDER	1
16	6-2524-10	COLLAR / HEAD LIFT CYLINDER	2
17	3-1054-2	PIN / BASE LIFT CYLINDER / RH	1
18	3-1054-3	PIN / BASE LIFT CYLINDER / LH	1
19	2-1090	PIN / BASE BOOM CYLINDER	1
20	6-3316-65	PIN / HEAD TILT CYLINDER	1
21	3-1054-1	PIN / BASE TILT CYLINDER	1
22	3-1243-2	PIN / HEAD SWAY CYLINDER	2
23	6-3312-73	PIN / BASE SWAY CYLINDER	2
24	6-3312-43	PIN / HEAD LOCK-UP CYLINDER	2
25	6-3312-73	PIN / BASE LOCK-UP CYLINDER	2
26	3-1243-3	RETAINER / PIN	2
27	6-3316-168	PIN / FORK FRAME	1
28	2-1125-10	PIN / FORK TINE	1
29	1-1113	COLLAR / FORK TINE PIN	1
30	P1-1488	STABILIZER ASSEMBLY	REF
31	6-5208-44	CAPSCREW 1/2 NC x 5 1/2 LG.	2
32	6-6201-08	HEX NUT 1/2 NC	8
33	6-6211-08	LOCKWASHER 1/2	8
34	6-5208-30	CAPSCREW 1/2 NC x 3 3/4 LG.	4
35	6-5208-36	CAPSCREW 1/2 NC x 4 1/2 LG.	2
36	6-5206-06	CAPSCREW 3/8 NC x 3/4 LG.	16
37	6-6211-06	LOCKWASHER 3/8	29
38	6-6212-06	FLATWASHER 3/8	20
39	6-5206-22	CAPSCREW 3/8 NC x 2 3/4 LG.	6
40	6-6201-06	HEX NUT 3/8 NC	9
41	7-333-01	MIRROR / CONVEX	1
42	6-5206-24	CAPSCREW 3/8 NC x 3 LG.	1
43	6-5205-06	CAPSCREW 5/16 NC x 3/4 LG.	4
44	6-6211-05	LOCKWASHER 5/16	4
45	7-190-07	RUBBER MOUNT / CAB	4
46	1-1532	WASHER / RUBBER MOUNT	4
47	6-5216-48	CAPSCREW 1 NC x 6 LG.	2
48	6-6205-16	SELF LOCKING NUT 1 NC	2
49	6-5206-10	CAPSCREW 3/8 NC x 1 1/4 LG.	5
50	6-5206-04	CAPSCREW 3/8 NC x 1/2 LG.	1
51	1-1217	POINTER / BOOM ANGLE	1
52	6-5204-08	CAPSCREW 1/4 NC x 1 LG.	1
53	6-6201-04	HEX NUT 1/4 NC	1
54	4-2271	COVER / FRONT AXLE ACCESS	1
55	6-5216-44	CAPSCREW 1 NC x 5 1/2 LG.	2
56	1-1530	SPACER / RUBBER MOUNT	2



FOR ADDITIONAL CAB INFORMATION SEE OPTIONS SECTION



DRAWING NUMBER P1-1917

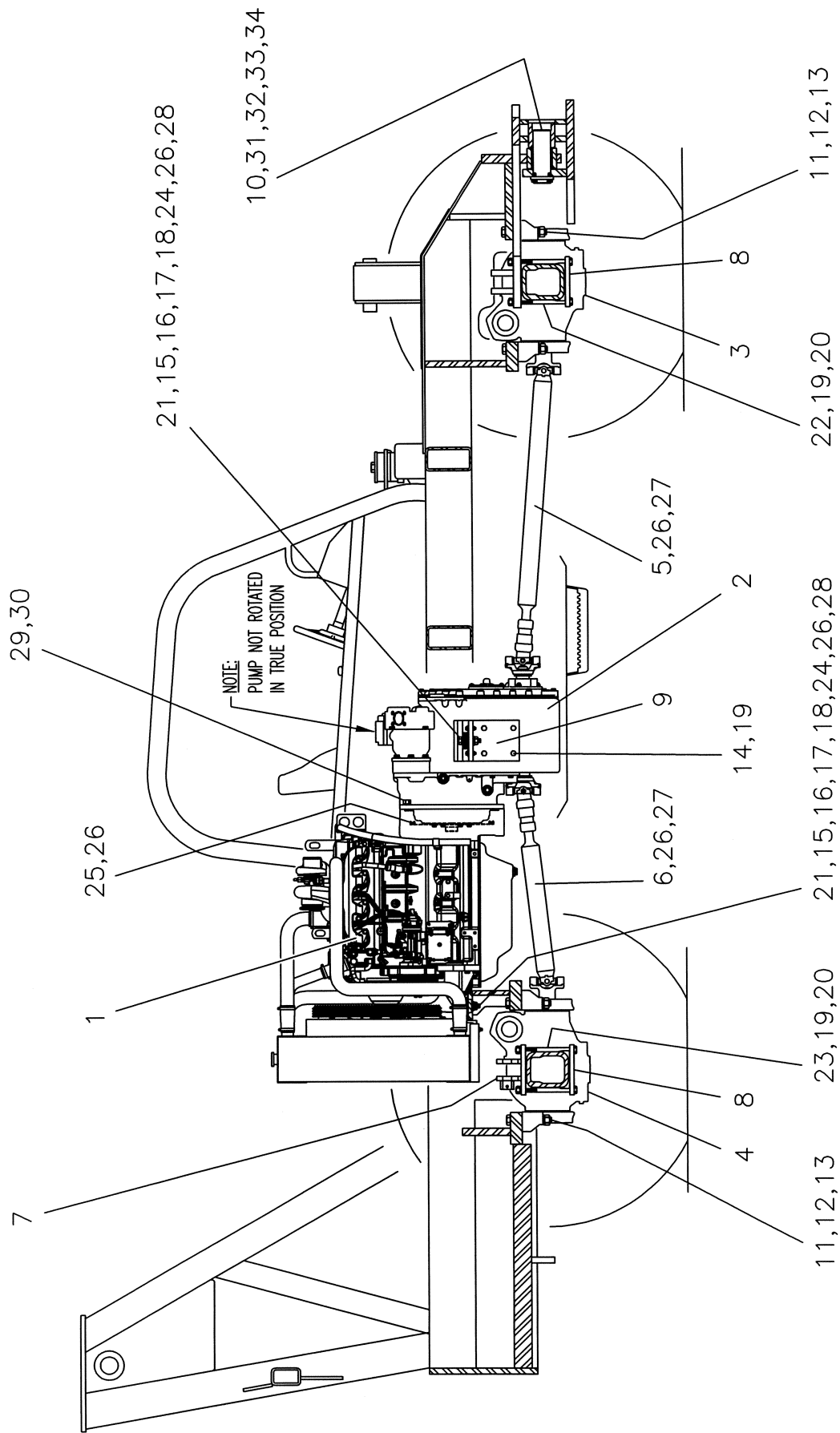
OPERATOR'S COMPARTMENT ASSEMBLY  
TH1056C

PAGE NUMBER 6A

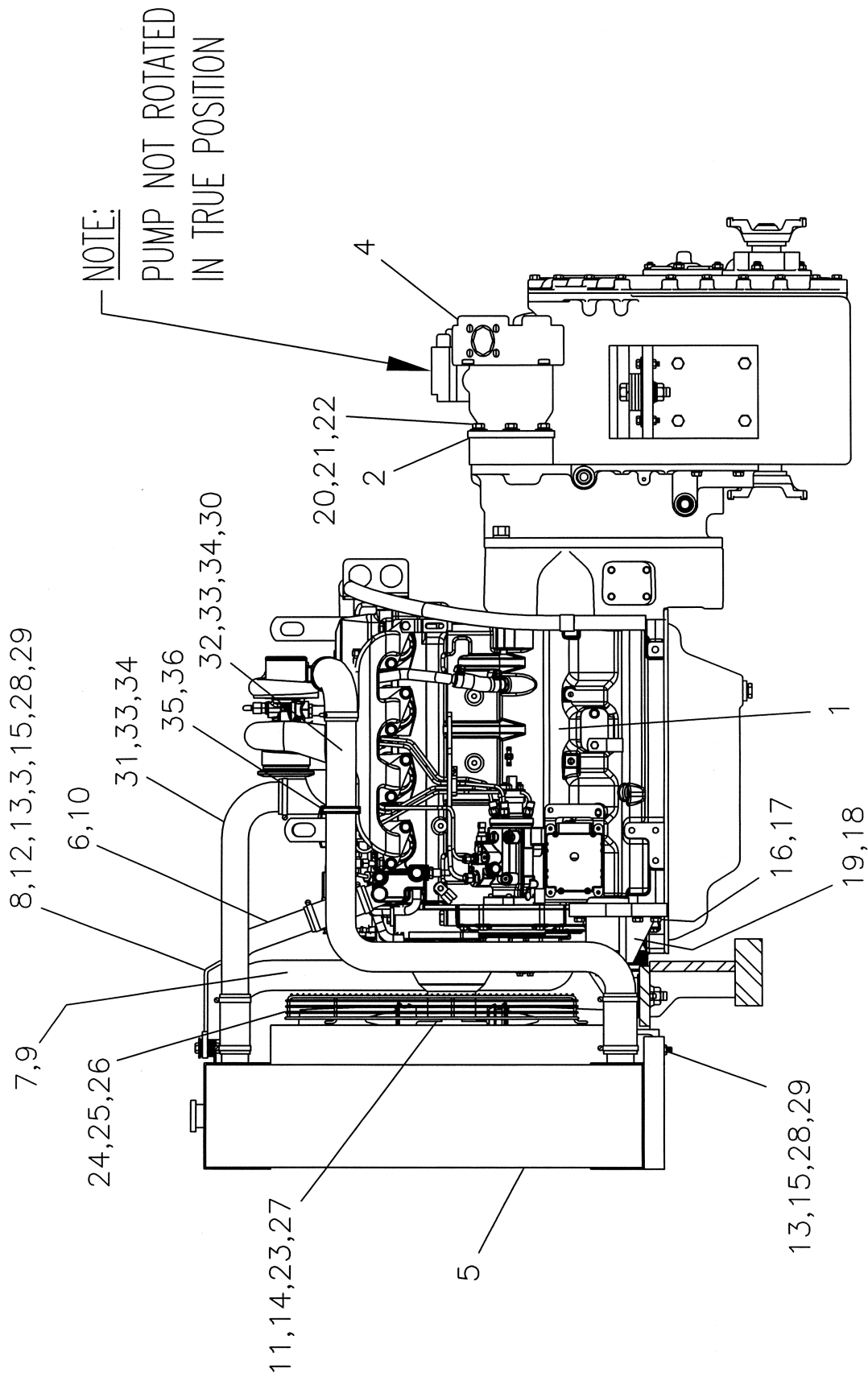
ITEM	NUMBER	DESCRIPTION	REQD
1	7-197-01	SEAT	1
2	6-6211-05	LOCKWASHER 5/16	4
3	6-6201-05	HEX NUT 5/16 NC	4
4	7-337-01	SEAT BELT	1
5	6-5205-08	CAPSCREW 5/16 NC x 1 LG.	2
6	6-6212-05	FLATWASHER 5/16	10
7	6-6211-05	LOCKWASHER 5/16	2
8	6-6201-05	HEX NUT 5/16 NC	2
9	7-104-01	LEVEL GAGE	1
10	7-147-01	STEERING ORBITRAL	REF
11	7-147-40	STEERING WHEEL	1
12	7-147-41	HORN BUTTON KIT	1
13	7-147-04	NUT / STEERING WHEEL (w/ ITEM 14)	REF
14	7-147-05	COLUMN / STEERING	1
15	7-125-05	TRANSMISSION COLUMN SHIFT CONTROL	1
16	7-194-40	GROMMET / TRANS. SHIFTER HARNESS	1
17	7-153-01	ARM REST PAD	1
18	7-132-03	DASH PANEL / RH SIDE	1
19	7-132-04	DASH PANEL / LH SIDE	1
20	7-132-08	STEP / CAB	1
21	6-5208-10	CAPSCREW 1/2 NC x 1 1/4 LG.	2
22	6-6211-08	LOCKWASHER 1/2	2
23	7-154-01	MIRROR / INTERIOR	1
24	6-6284-05	MACHINE SCREW #10-24 x 3/4 LG.	2
25	6-6286-07	LOCKWASHER #10	2
26	7-146-01	SWITCH / IGNITION / KEY	REF
27	7-144-02	HOLE PLUG / 5/8 / ETHER BUTTON	1
28	7-144-03	HOLE PLUG / 3/4 / WIPER SHAFT	1
29	7-144-10	HOLE PLUG / 1 3/16 / 12V ACC. PLUG	1
30	7-144-12	HOLE PLUG / 1/4 / WIPER BOLTS	2
31	7-127-09	SWITCH / DIFF. LOCK	REF
32	6-5204-04	CAPSCREW 1/4 NC x 1/2 LG.	2
33	6-6211-04	LOCKWASHER 1/4	2
34	7-132-101	GLASS / REAR WINDOW-TINTED	REF
35	7-132-103	GLASS / RH SOLID-TINTED	REF
36	7-132-116	ACCESS PANEL / JOYSTICK	REF
37	7-132-105	COVER / SIDE HOSE	REF
38	7-132-106	SIDE CONSOLE / BOLT-ON	REF
39	7-132-107	CONSOLE COVER / LOWER FRONT	REF
40	7-132-108	SEAT RISER	REF
41	7-132-109	COVER / SEAT BOX	REF
42	7-132-110	COVER / FOOT PEDAL	REF
43	7-132-111	COVER / BRAKE ACTUATOR ACCESS	REF
44	7-132-112	COVER / FRONT HOSE	REF
45	7-132-113	COVER / FUSE PANEL	REF
46	7-132-114	MOUNT / FAN	REF
47	7-132-115	COVER / JOYSTICK	REF
48	7-132-122	GRILL / HEATER	REF
49	7-132-22	BOLT / TRI-WING	REF
50	6-5204-06	CAPSCREW 1/4 NC x 3/4 LG.	44
51	6-6211-04	LOCKWASHER 1/4	40
52	6-6212-04	FLATWASHER 1/4	44
53	6-6205-04	SELF LOCKING NUT 1/4 NC	2
54	6-5205-06	CAPSCREW 5/16 NC x 3/4 LG	4
55	6-6205-05	SELF LOCKING NUT 5/16 NC	4

6B	PAGE NUMBER	OPERATOR'S COMPARTMENT ASSEMBLY TH1056C	DRAWING NUMBER	P1-1917
----	-------------	--	----------------	---------

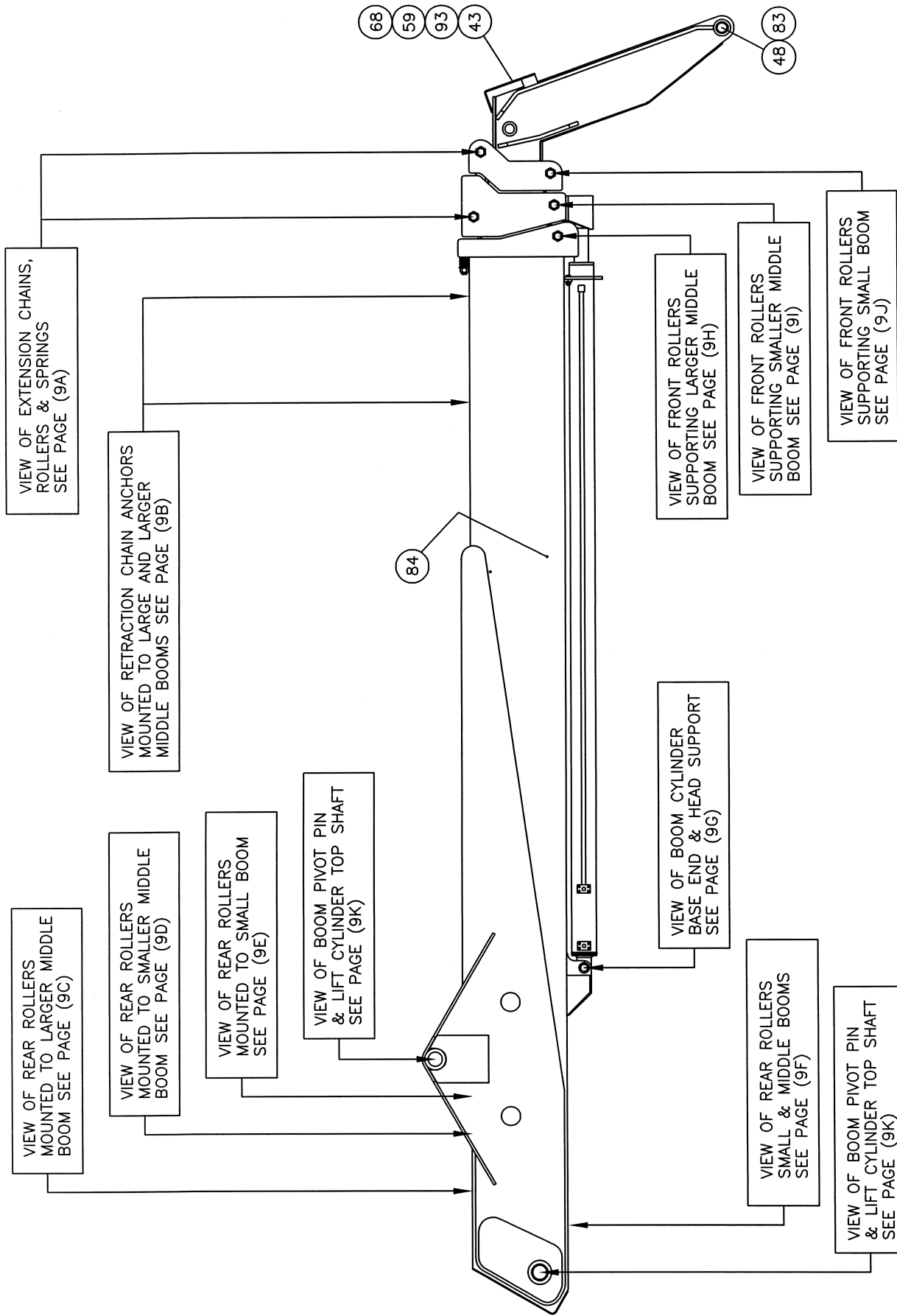


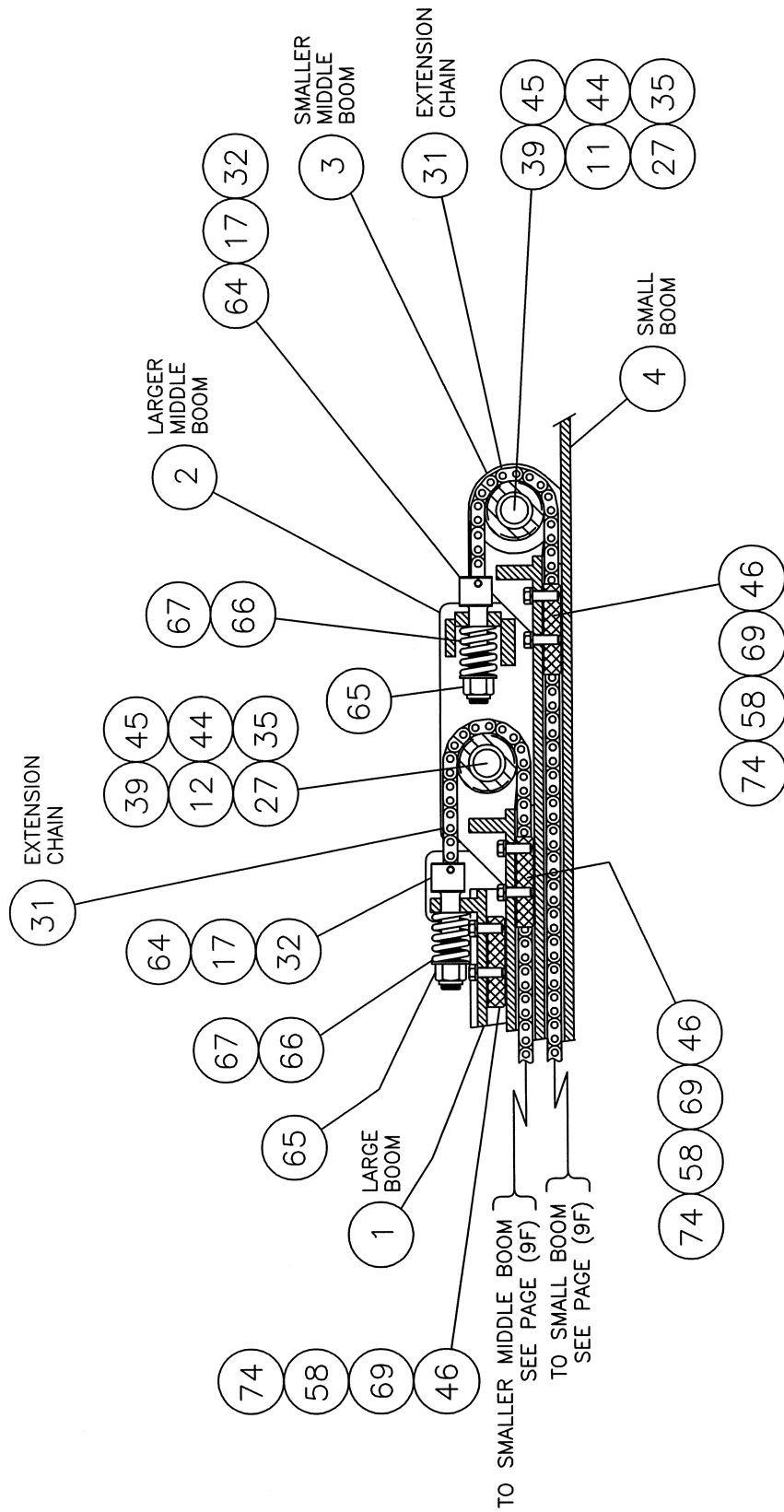


ITEM	NUMBER	DESCRIPTION	REQD
1	P1-1890	ENGINE and PUMP ASSEMBLY	REF
2	7-126-675	TRANSMISSION ASSEMBLY	1
3	7-229-670	AXLE ASSEMBLY / FRONT	1
4	7-229-671	AXLE ASSEMBLY / REAR	1
5	7-229-890	DRIVESHAFT / FRONT	1
6	7-229-891	DRIVESHAFT / REAR	1
7	3-1478	MOUNT / REAR LOCK-UP CYLINDERS	2
8	2-1256	BASE PLATE	4
9	3-1237	MOUNT / TRANSMISSION	2
10	3-1479	PIN / STABILIZER FRAME PIVOT	1
11	6-5316-56	CAPSCREW 1 NF x 7 LG.	8
12	6-6211-16	LOCKWASHER 1 IN.	8
13	6-6202-16	HEX NUT 1 NF	8
14	6-5212-16	CAPSCREW 3/4 NC x 2 LG.	8
15	6-5310-32	CAPSCREW 5/8 NF x 4 LG.	4
16	6-6211-10	LOCKWASHER 5/8	4
17	6-6212-10	FLATWASHER 5/8	4
18	6-6202-10	HEX NUT 5/8 NF	4
19	6-6211-12	LOCKWASHER 3/4	24
20	6-6202-12	HEX NUT 3/4 NF	16
21	7-326-01	RUBBER MOUNT / ENGINE	4
22	6-5312-84	CAPSCREW 3/4 NF x 10 1/2 LG.	8
23	6-5312-80	CAPSCREW 3/4 NF x 10 LG.	8
24	6-5206-12	CAPSCREW 3/8 NC x 1 1/2 LG.	8
25	6-5306-14	CAPSCREW 3/8 NF x 1 3/4 LG.	8
26	6-6211-06	LOCKWASHER 3/8	32
27	6-5306-14	CAPSCREW 3/8 NF x 1 3/4 LG.	16
28	6-6201-06	HEX NUT 3/8 NC	8
29	6-8510-40	CAPSCREW 10mm x 1.5 x 40mm	11
30	6-9111-10	LOCKWASHER 10mm	11
31	1-1505	RETAINER / PIN	1
32	6-5208-10	CAPSCREW 1/2 NC x 1 1/4 LG.	2
33	6-6211-08	LOCKWASHER 1/2	2
34	6-6301	LUBE FITTING 1/8 NPT STR.	1

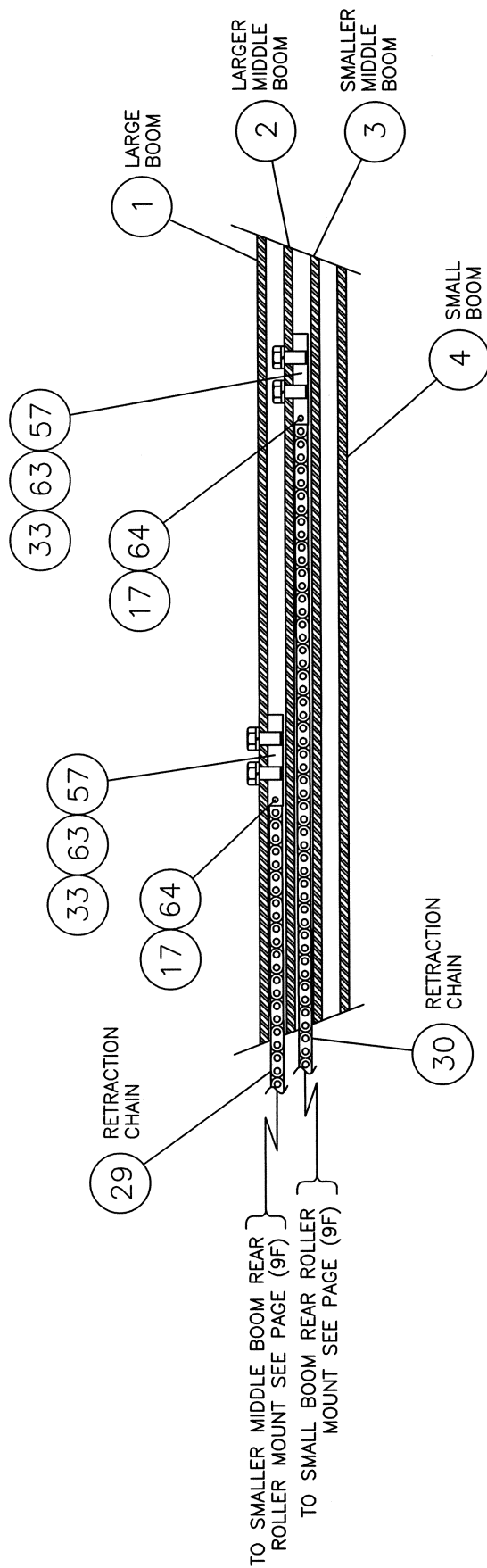


ITEM	NUMBER	DESCRIPTION	REQD
1	7-183-210	ENGINE ASSEMBLY / JD-4045T	1
2	7-126-517	GASKET / PUMP DRIVE	1
3	6-9111-10	LOCKWASHER 10mm	2
4	7-345-113	PUMP ASSEMBLY	REF
5	7-183-211	RADIATOR / CHARGE AIR COOLER	1
6	7-183-212	RADIATOR HOSE / UPPER	1
7	7-183-213	RADIATOR HOSE / LOWER	1
8	7-183-225	MOUNTING STRAP / RADIATOR	1
9	6-6252-07	CLAMP / RADIATOR HOSE	2
10	6-6252-09	CLAMP / RADIATOR HOSE	2
11	7-183-214	FAN (w/ ENGINE)	REF
12	6-8510-20	CAPSCREW 10mm x 1.5 x 20mm LG.	2
13	6-5206-16	CAPSCREW 3/8 NC x 2 LG.	3
14	7-183-232	FAN SPACER / 4 INCH / (w/ ENGINE)	REF
15	6-6205-06	SELF LOCKING NUT 3/8 NC	3
16	6-8516-55	CAPSCREW 16mm x 2.0 x 55mm LG.	4
17	6-9111-16	LOCKWASHER 16mm	4
18	7-183-216	ENGINE MOUNT / LH	1
19	7-183-217	ENGINE MOUNT / RH	1
20	6-5208-20	CAPSCREW 1/2 NC x 2 1/2 LG.	4
21	6-6212-08	FLATWASHER 1/2	4
22	6-6211-08	LOCKWASHER 1/2	4
23	7-183-53	FAN GUARD	1
24	6-6212-05	FLATWASHER 5/16	4
25	6-5205-08	CAPSCREW 5/16 NC x 1 LG.	4
26	6-6211-05	LOCKWASHER 5/16	4
27	6-8110-120	CAPSCREW 10mm x 1.5 x 120mm LG.	REF
28	7-190-04	RUBBER MOUNT / CENTER BONDED	3
29	7-190-02	WASHER / BONDED RUBBER MOUNT	3
30	7-183-218	90° CONNECTOR / CAC LINE	1
31	7-183-226	CAC LINE / UPPER	1
32	7-183-227	CAC LINE / LOWER	1
33	7-272-13	T-HOSE CLAMP / 2 1/8"	8
34	7-183-228	STRAIGHT CONNECTOR / CAC LINE	3
35	7-183-229	CLAMP BRACKET	1
36	7-183-230	CLAMP-2"	1

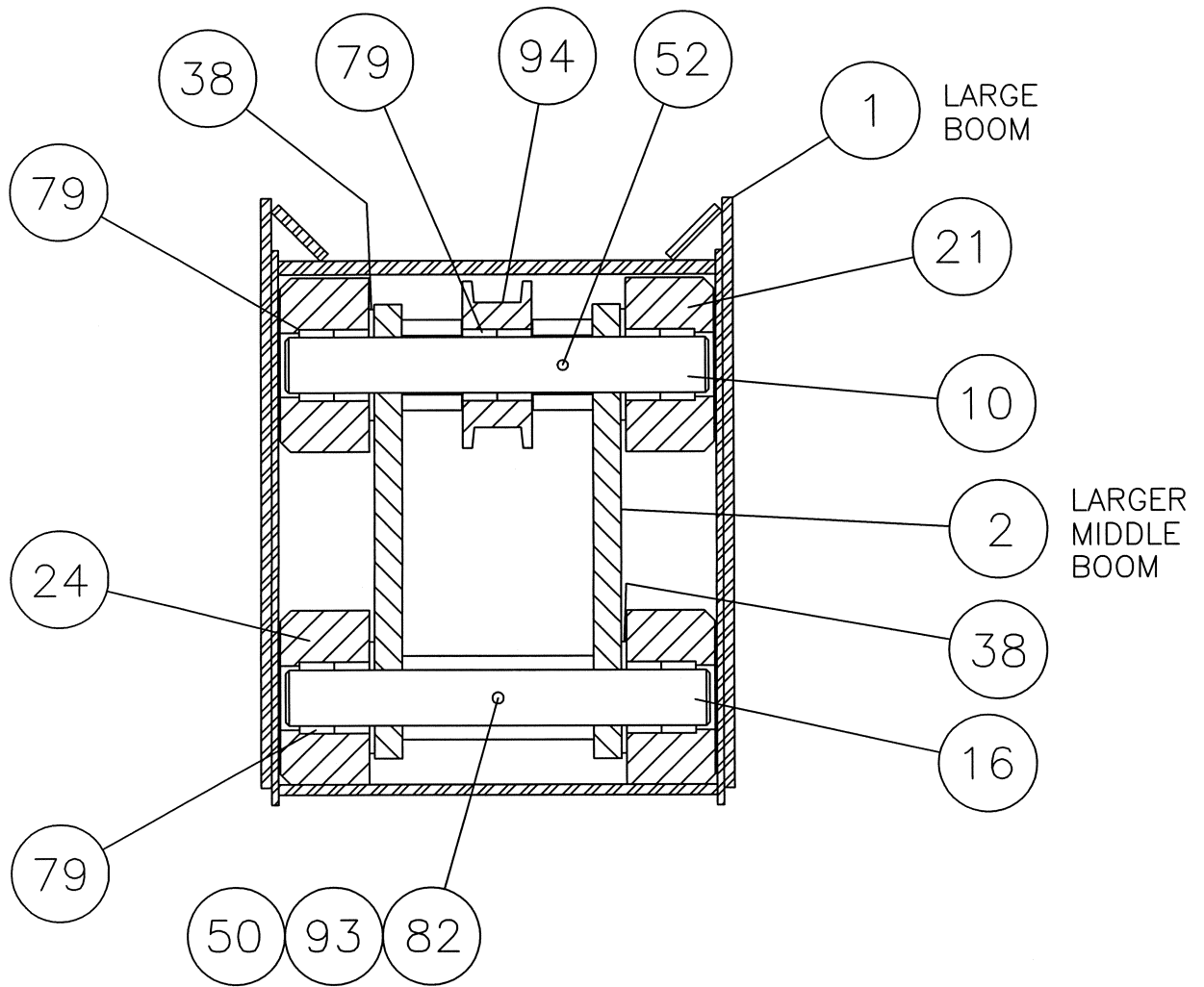




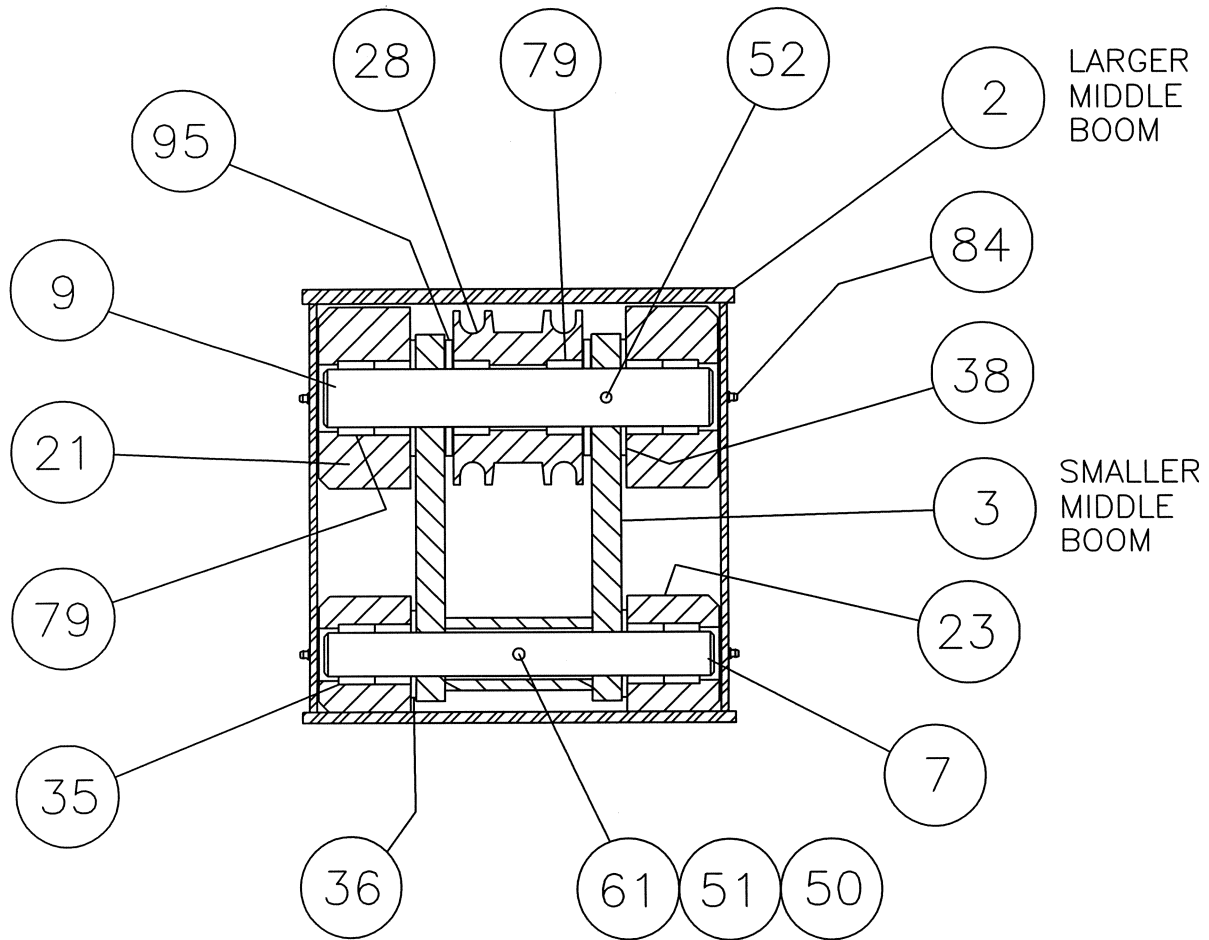
VIEW OF EXTENSION CHAINS, ROLLERS & SPRINGS



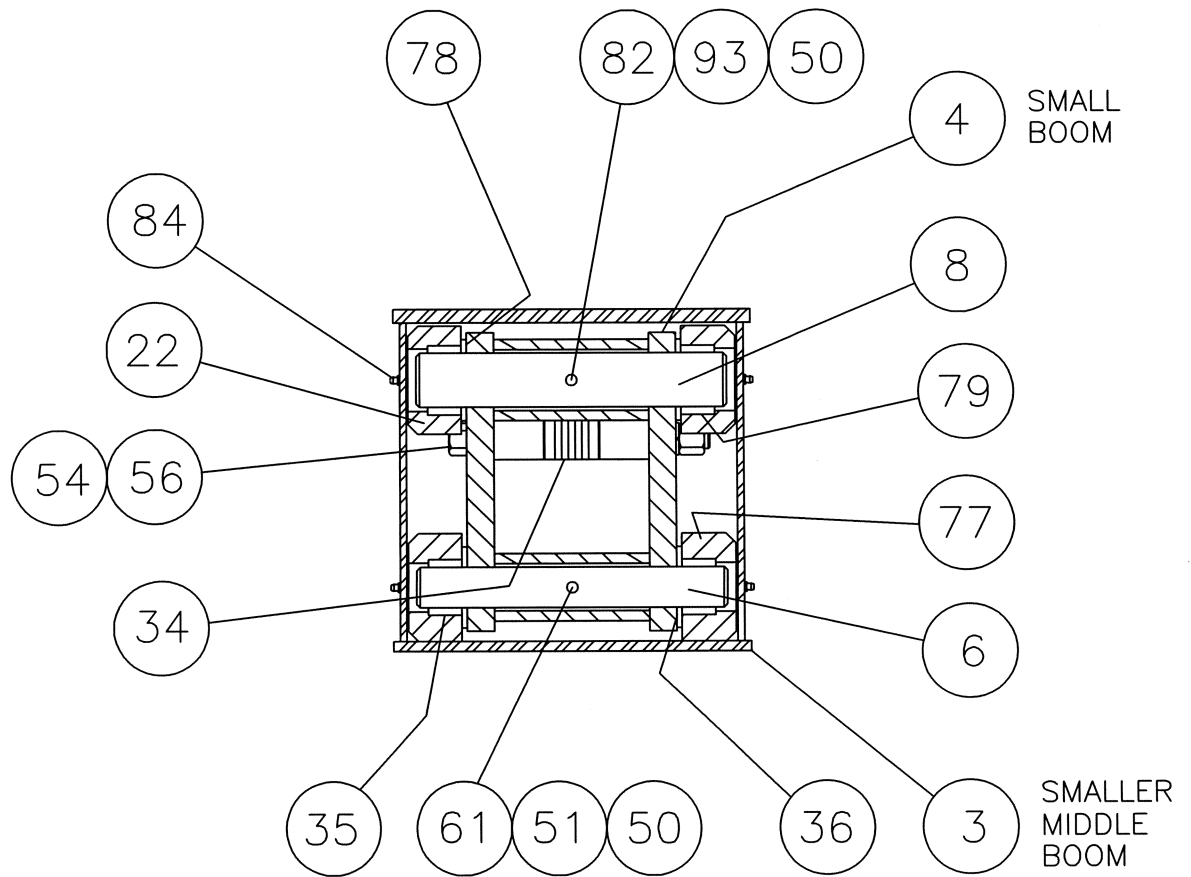
VIEW OF RETRACTION CHAINS MOUNTED TO LARGE & LARGER MIDDLE BOOMS



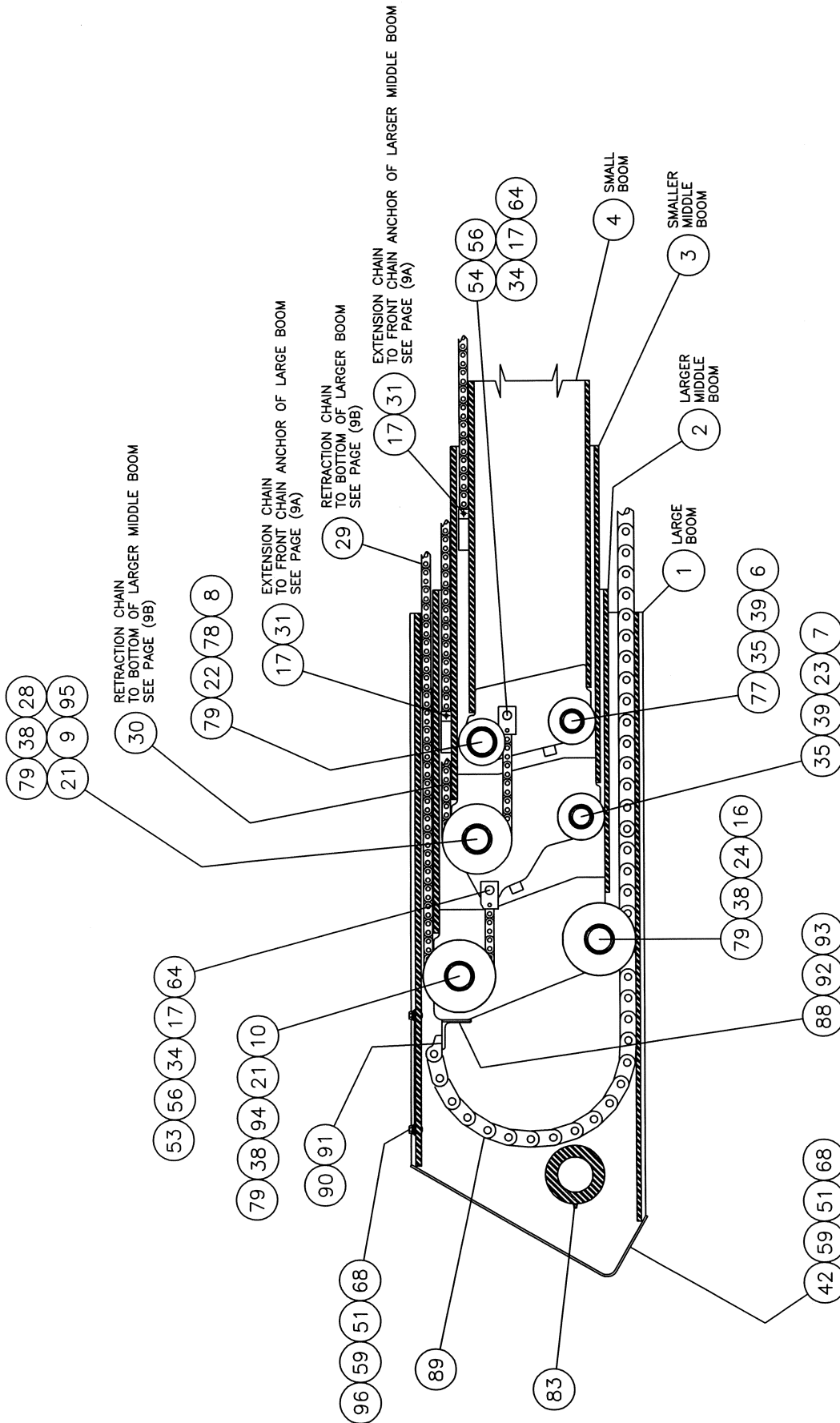
VIEW OF REAR ROLLERS  
MOUNTED TO LARGER  
MIDDLE BOOM



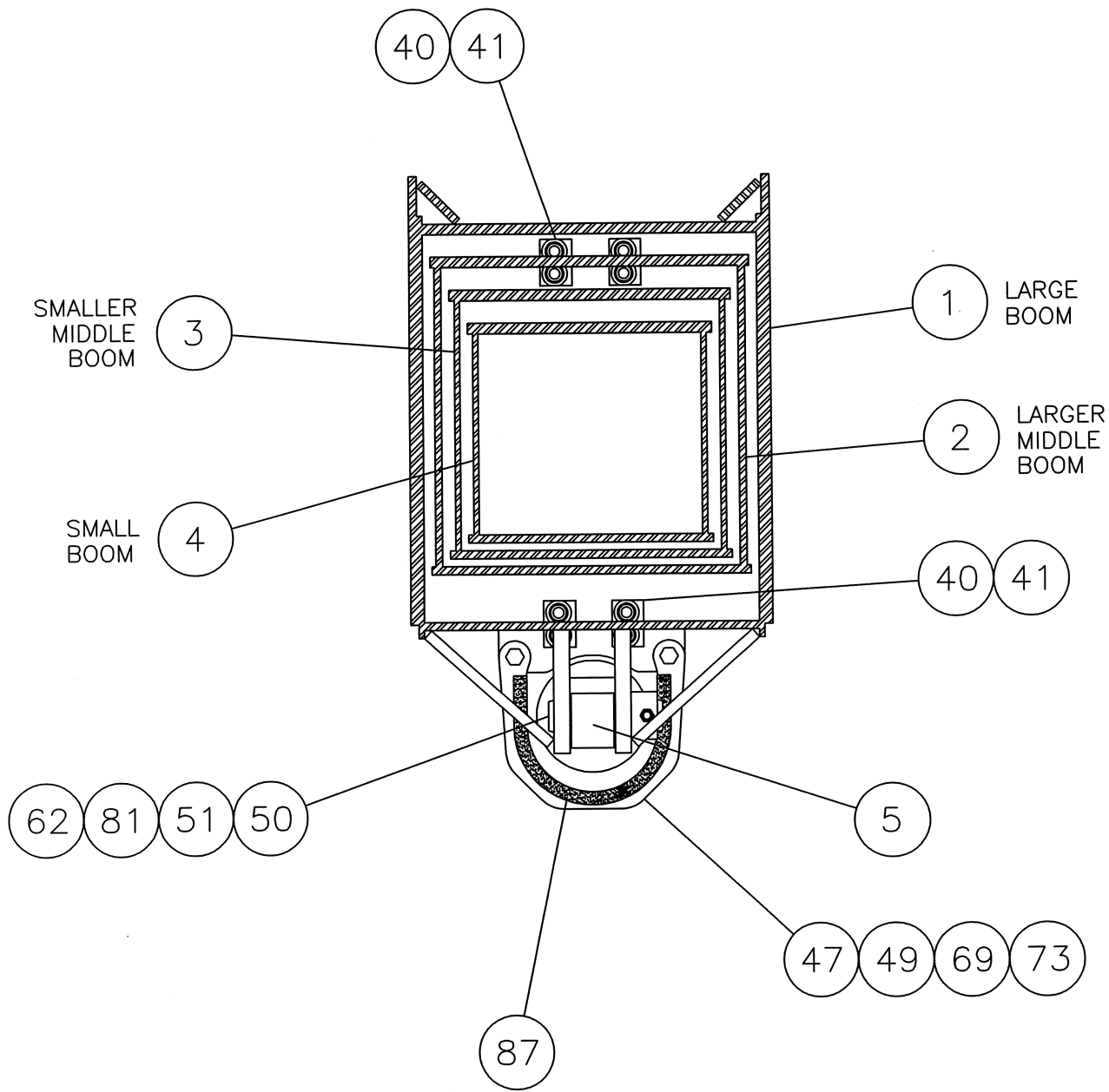
VIEW OF REAR ROLLERS  
MOUNTED TO SMALLER  
MIDDLE BOOM



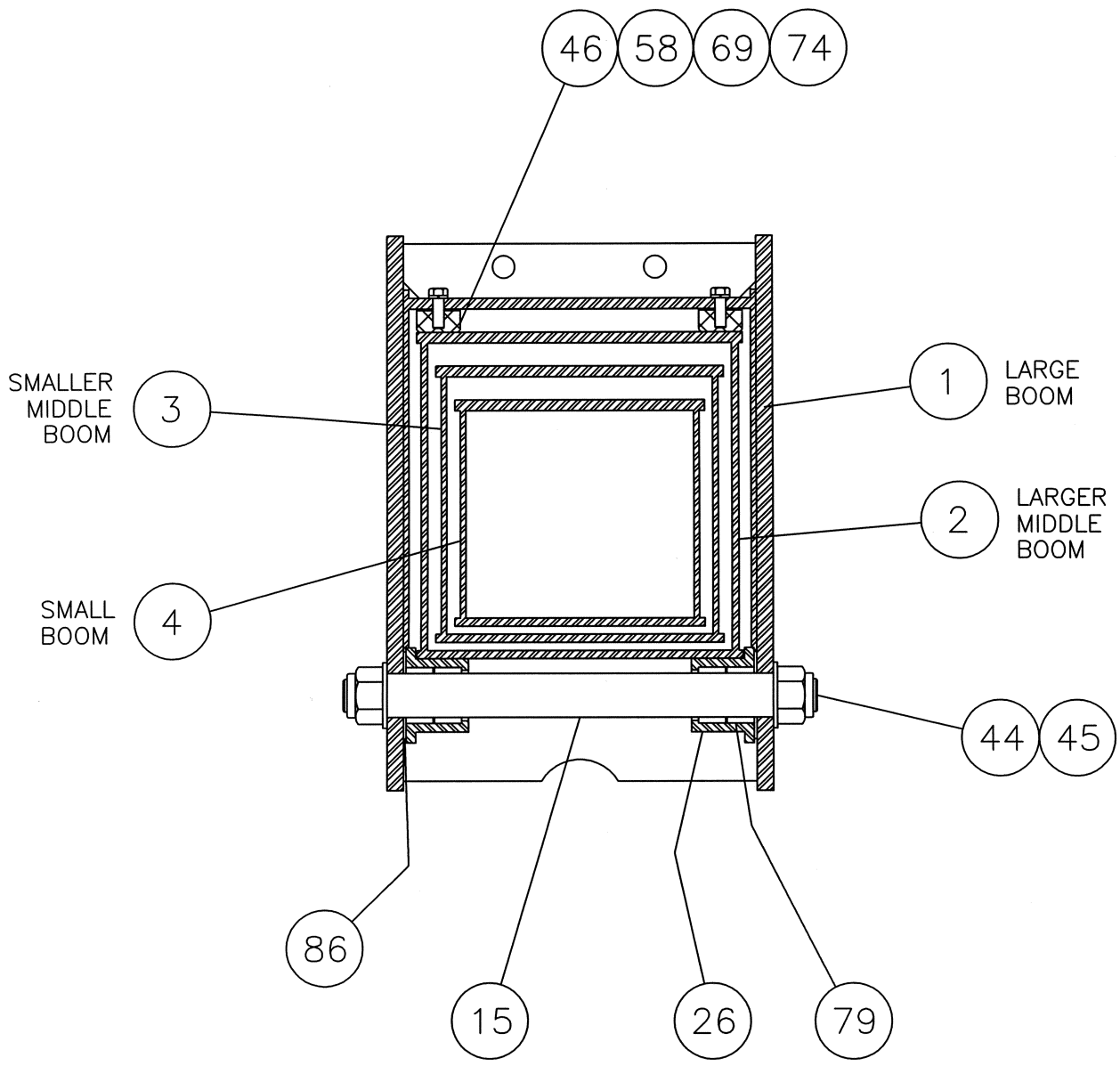
VIEW OF REAR ROLLERS  
MOUNTED TO SMALL BOOM



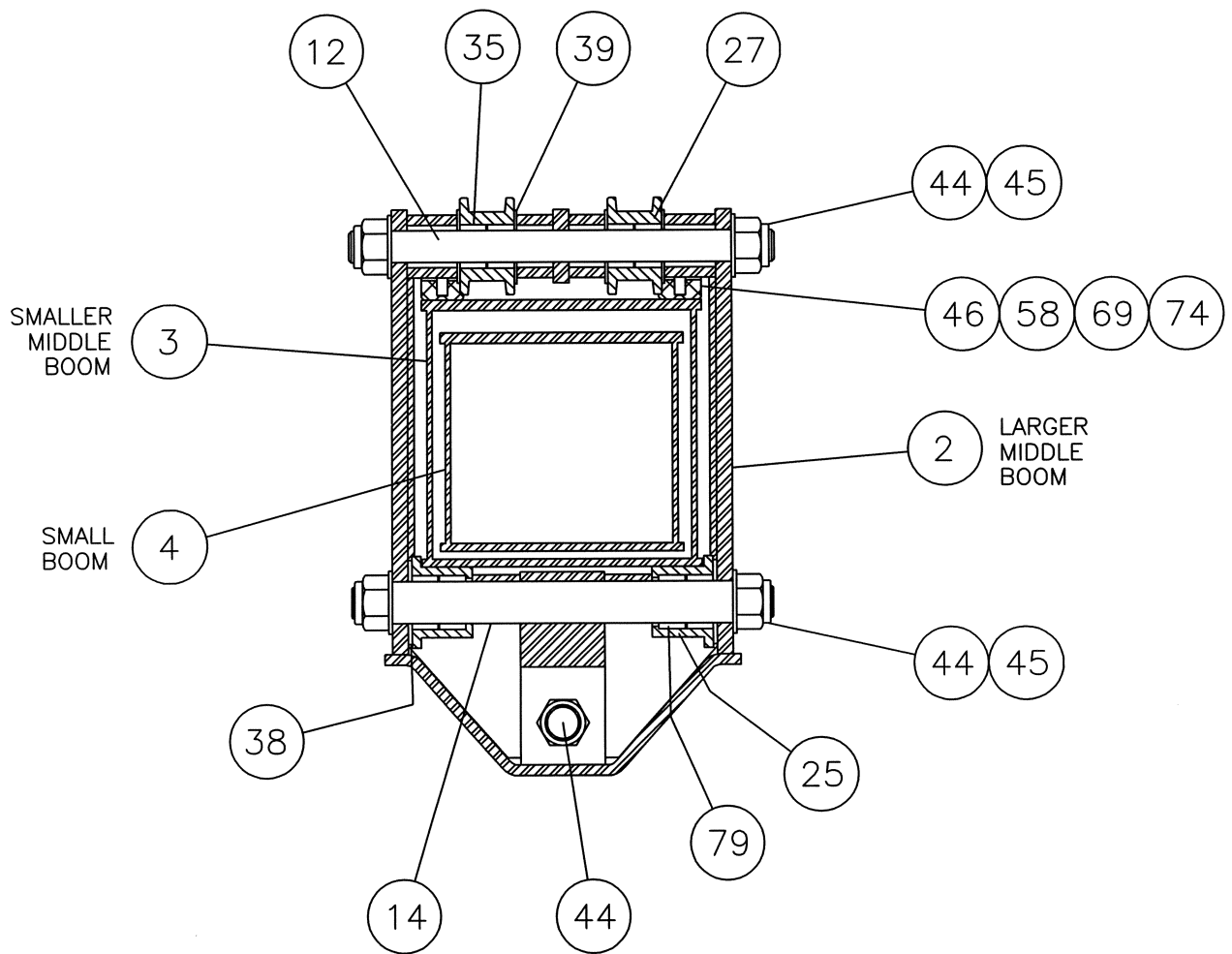
VIEW OF REAR ROLLERS AND CHAIN ANCHORS SMALL AND MIDDLE BOOMS



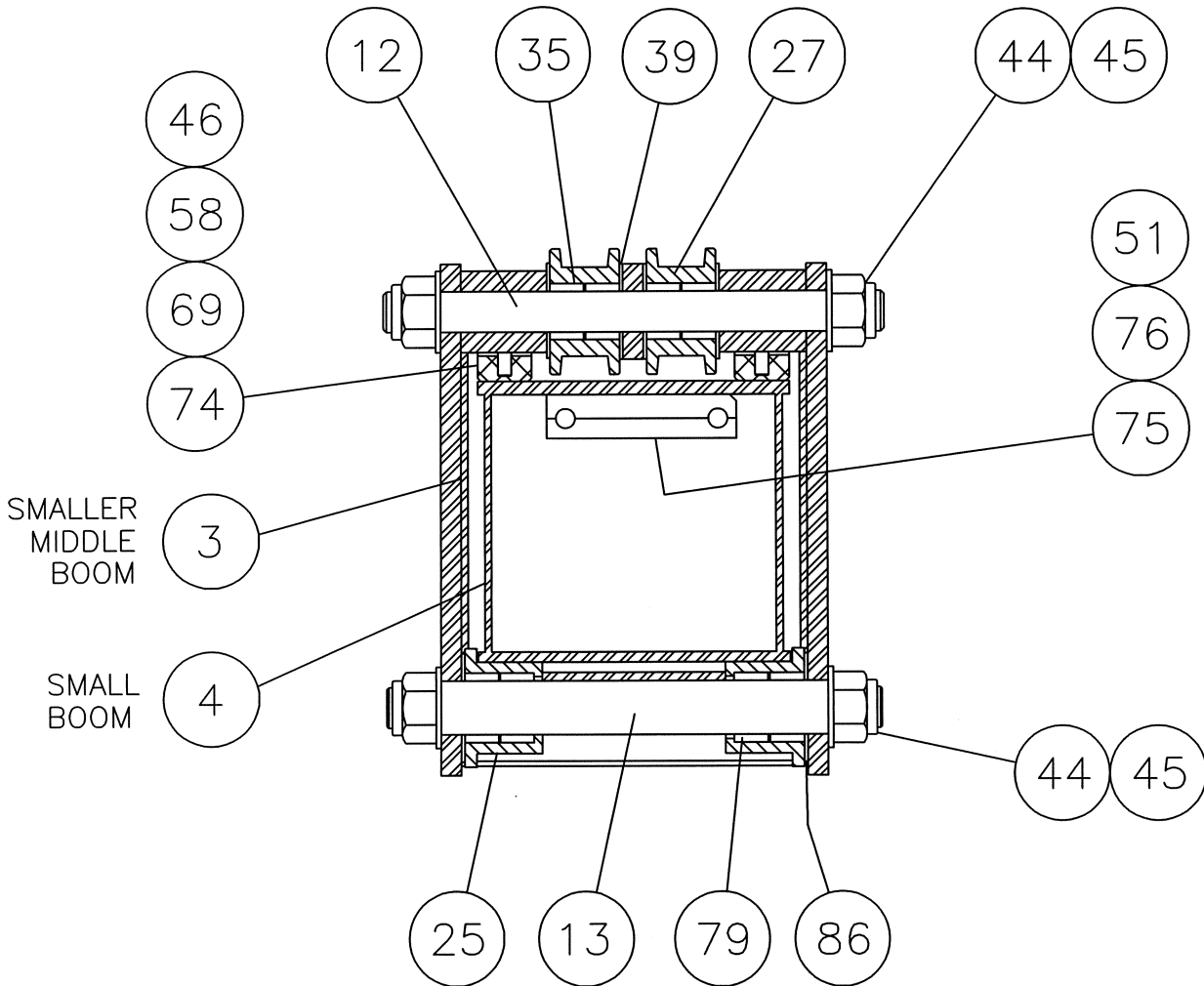
VIEW OF BOOM CYLINDER  
BASE END & HEAD SUPPORT



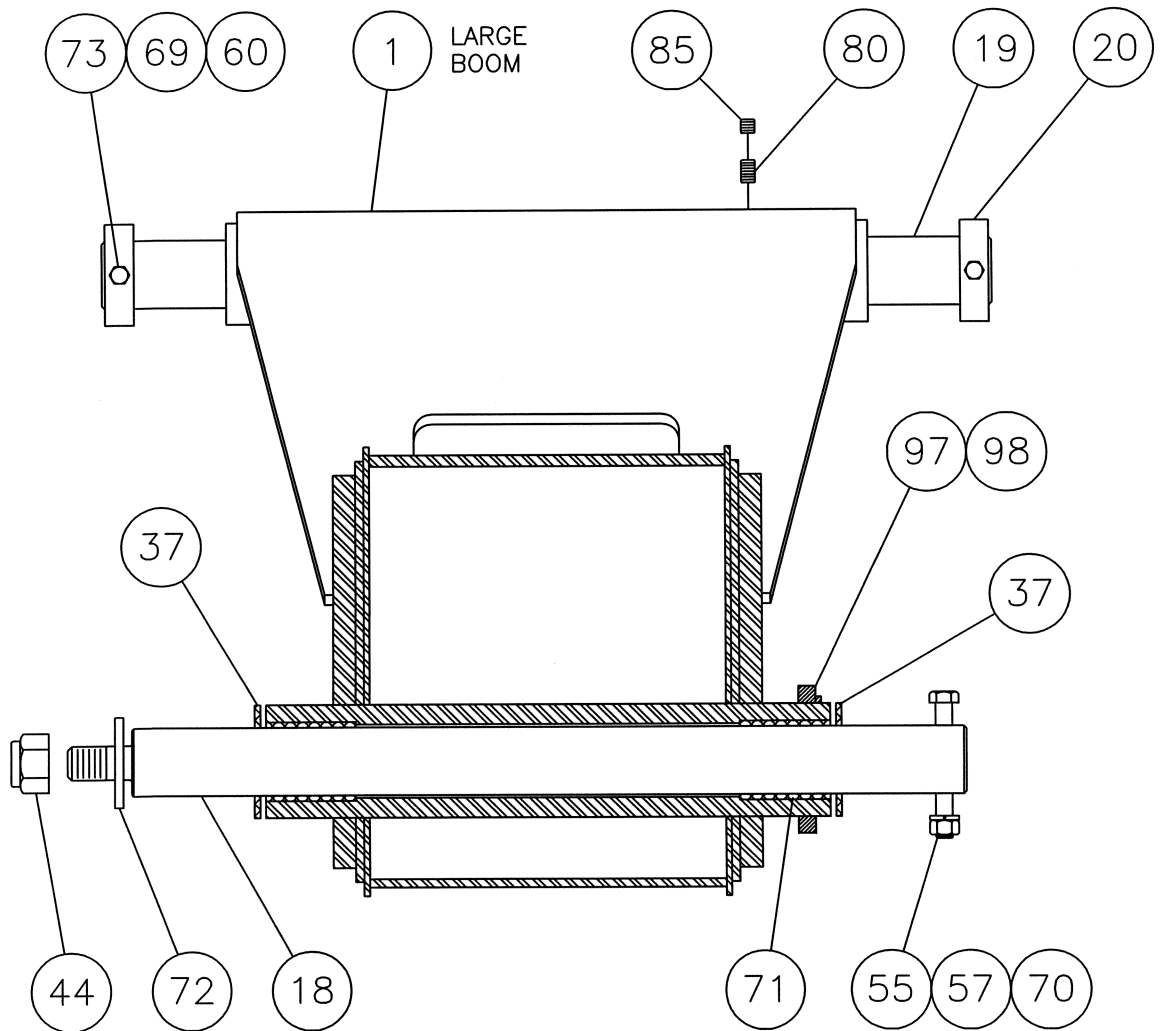
VIEW OF FRONT ROLLERS  
SUPPORTING LARGER MIDDLE BOOM



VIEW OF FRONT ROLLERS  
SUPPORTING SMALLER MIDDLE BOOM



VIEW OF FRONT ROLLERS  
SUPPORTING SMALLER MIDDLE BOOM



VIEW OF BOOM PIVOT PIN  
& LIFT CYLINDER TOP SHAFT

ITEM NUMBER	DESCRIPTION	REQD
1	LARGE BOOM	1
2	4-2206 MIDDLE BOOM (LARGE)	1
3	4-2207 MIDDLE BOOM (SMALL)	1
4	4-2116 SMALL BOOM	1
5	7-316-326 BOOM CYLINDER	REF
6	4-2121-1 PIN / S-BOOM / REAR-BOT	1
7	4-2121-2 PIN / M-BOOM (SMALL) / REAR-BOT	1
8	4-2121-3 PIN / S-BOOM / REAR-TOP	1
9	4-2121-4 PIN / M-BOOM (SMALL) / REAR-TOP	1
10	4-2121-5 PIN / M-BOOM (LARGE) / REAR-TOP	1
11	4-2121-6 PIN / M-BOOM (SM) / FRT. CHAIN SHEAVE	1
12	4-2121-7 PIN / M-BOOM (LARGE) / FRONT-TOP	1
13	4-2121-8 PIN / M-BOOM (SMALL) / FRONT-BOT	1
14	4-2121-9 PIN / M-BOOM (LARGE) / FRONT-BOT	1
15	4-2121-10 PIN / L-BOOM / FRONT-BOT	1
16	4-2121-11 PIN / M-BOOM (LARGE) / REAR-BOT	1
17	2-1052-3 PIN / LEAF CHAIN	12
18	3-1154-2 CROSS SHAFT / MAIN PIVOT	1
19	3-1092-1 CROSS SHAFT / HEAD LIFT CYLINDER	REF
20	6-2524-10 COLLAR	REF
21	4-1074-1B ROLLER / M-BOOM (SM & LG) REAR TOP	4
22	4-1475-1B ROLLER / S-BOOM / REAR-TOP	2
23	4-1074-2B ROLLER / M-BOOM (SMALL) REAR-BOT	2
24	4-1074-1B ROLLER / M-BOOM (LARGE) REAR-BOT	2
25	4-1475-2B ROLLER / M-BOOM (SM & LG) FRT-BOT	4
26	4-1475-2B ROLLER / L-BOOM / FRONT-BOT	2
27	4-1246-4B SHEAVE / CHAIN / FRONT	4
28	4-1074-8B SHEAVE / HOSE / M-BOOM (SMALL)	1
29	1-1013-4 LEAF CHAIN / RET. / LG to MID (SM)	1
30	1-1013-2 LEAF CHAIN / RETRACTION	1
31	1-1013-2 LEAF CHAIN / EXTENSION	4
32	4-1237-1 CHAIN ANCHOR / ADJUSTABLE	4
33	4-1237-2 CHAIN ANCHOR / BOLT-ON	2
34	4-1237-4 CHAIN ANCHOR / PINNED	2
35	7-193-05 NEEDLE BEARING / 1.500 ID	REF
36	6-6600-04 THRUST WASHER 3.50 x 1.50 x .188	4
37	6-6600-14 THRUST WASHER 5.00 x 3.00 x .250	2
38	6-6600-05 THRUST WASHER 4.00 x 2.00 x .188	8
39	6-6600-12 THRUST WASHER 3.50 x 1.50 x .125	8
40	3-1423 MANIFOLD BLOCK	REF
41	6-6006-12 FLAT HD. SOC. SCREW 3/8 NC x 1 1/2	REF
42	3-1424 COVER / REAR ACCESS	1
43	3-1246 GUARD / TILT VALVE	1
44	6-6206-24 SELF-LOCKING NUT 1 1/2 NF	12
45	6-6215-24 FLATWASHER 1 1/2	10
46	2-1184 WEAR PAD / BOOM	6
47	4-1711-1 SUPPORT / BOOM CYLINDER	1
48	6-4516-24 BRONZE BUSHING / SMALL BOOM	REF
49	6-5208-14 CAPSCREW 1/2 NC x 1 3/4 LG.	2
50	6-6201-06 HEX NUT 3/8 NC	4
51	6-6211-06 LOCKWASHER 3/8	14
52	6-6275-04 SETSCREW 3/8 NC x 3/4 LG.	3

Sample manual. Download All pages at:

<https://www.arpairmanual.com/downloads/2003-terex-th1056c-forklift-workshop-parts-manual/>

9L	PAGE NUMBER	BOOM ASSEMBLY TH1056C	DRAWING NUMBER	P4-2138
----	-------------	-----------------------	----------------	---------