

TAKEUCHI

CRAWLER CARRIER

PARTS CATALOG

TC960D3S

(LOW NOISE LEVEL TYPE)

New

RUBBER TRACKED MINI-DUMP VEHICLES

3 WAYS HYDRAULIC DUMP

NEW LOW NOISE LEVEL TYPE MODEL

L100ASESA

TAKEUCHI MFG.CO.,LTD.

Product: Takeuchi TC960D3S Crawler Carrier Part Catalog Manual
Full Download: <https://www.arepairmanual.com/downloads/takeuchi-tc960d3s-crawler-carrier-part-catalog-manual/>

Sample manual. Download All pages at:
<https://www.arepairmanual.com/downloads/takeuchi-tc960d3s-crawler-carrier-part-catalog-manual/>

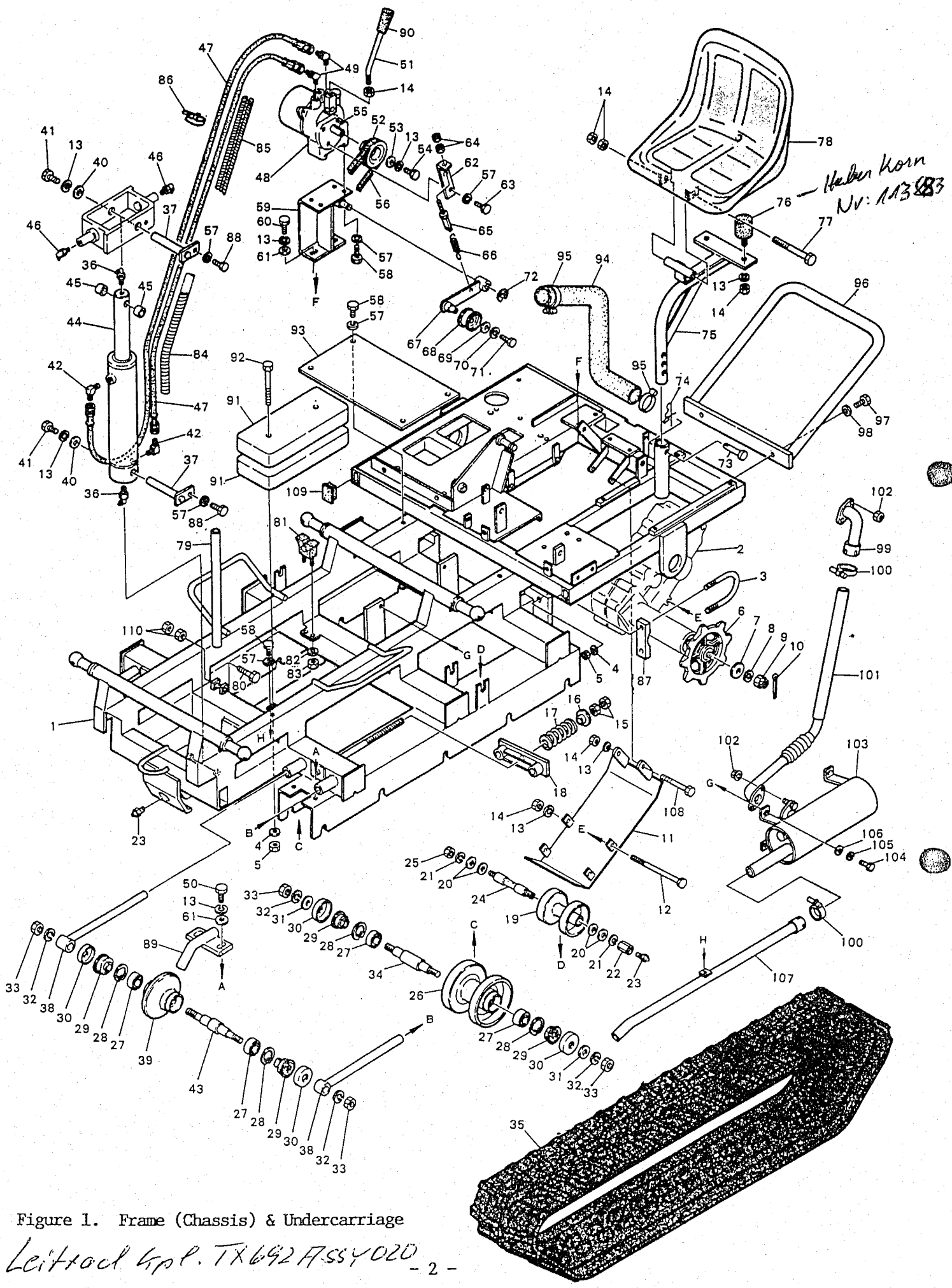
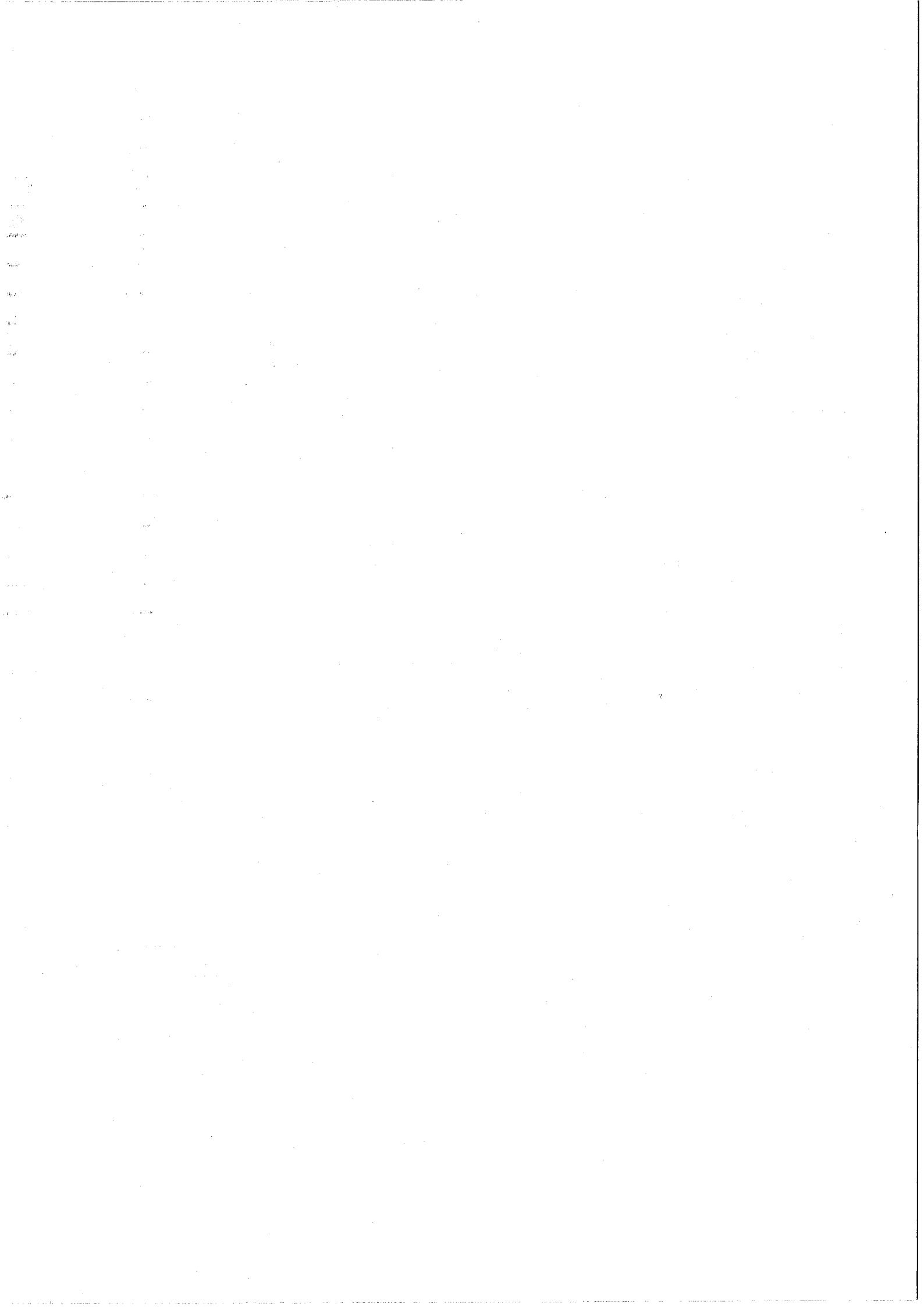
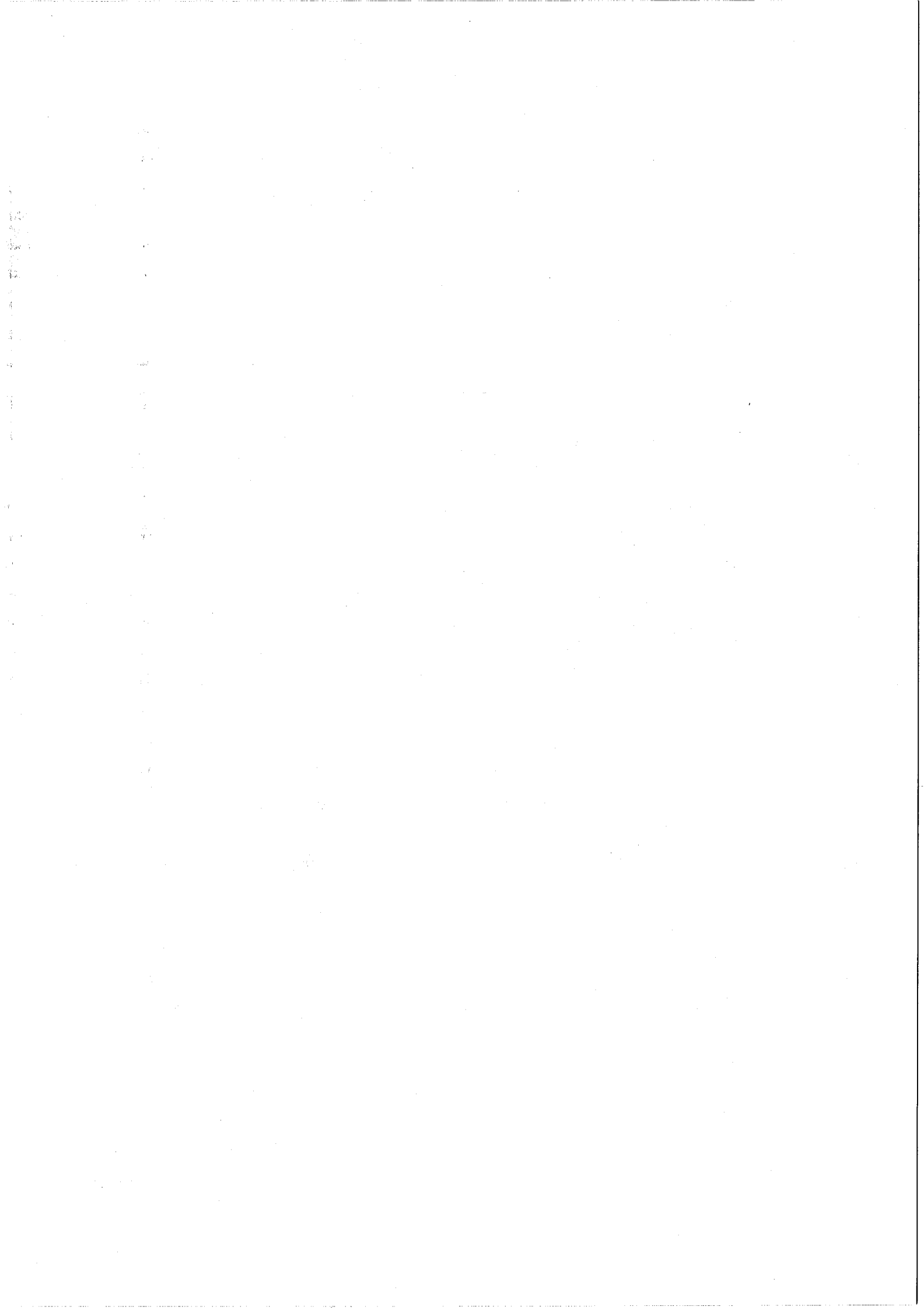


Figure 1. Frame (Chassis) & Undercarriage

Leitrad Grp. TX692 A-SS4020 - 2 -





① Frame & Undercarriage (Figure 1)

No. 1/3

Item	Parts Number	Description	Q'ty	Remarks	Price
1	S606100-20000	Frame (Chassis)	1		
2	SA69260-15000	Transmission	1		
3	SA65310-70000	U-Bolt	2		
4	S00271-00012	Spring Washer	6	M12	
5	S00201-00012	Nut	6	M12	
6	SA69211-30000	Sprocket	2		
7	S00261-00020	Washer	2	M20	
8	S00271-00020	Spring Washer	2	M20	
9	S00221-00020	Castle Nut	2	M20 P1.5	
10	S00301-04040	Cotter Pin	2	φ4 ×40	
11	S606131-20000	Protector	1		
12	S001010-10210	Bolt	2	M10 ×210(Semi)	
13	S00271-00010	Spring Washer	13	M10	
14	S00201-00010	Nut	8	M10	
15	S02010-90016	Nut	4	M16	
16	SA69213-50000	Spring Hold Metal	2		
17	SA69215-60000	Spring	2		
18	SA69211-90000	Crawler Tension Metal	2		
19	SA69211-40020	Carrier Roller	2		
20	S00261-00014	Plain Washer	8	M14	
21	S00271-00014	Spring Washer	4	M14	
22	S60660-60000	Nut	2		
23	S00606-60000	Grease Nipple	2	UNF1/4 28 Screw Mount A Type	
24	SA69211-50020	Carrier Roller	2		
25	S00201-00014	Nut	2	M14	
26	SA69211-40010	Track Roller	10		
27	S00401-06205A	Ball Bearing	20	6205	
28	S00365-00052	Snap Ring	20	R52	
29	SA20506-09820	Seal with Axle	20	QLF25,52,16,1.5	
30	SA69010-40000	Dust Collar	24		
31	S00261-00020	Plain Washer	20	M20	
32	S00271-00020	Spring Washer	20	M20	
33	S00202-00020	Nut	20	M20	
34	SA69211-50010	Track Roller Axle	10		
35	SA69260-30000	Rubber Crawler	2	B.S 250 ×72×46	
36	S0060M6C.PI	Grease Nipple	2	M6 P1.0 90° (C Type)	

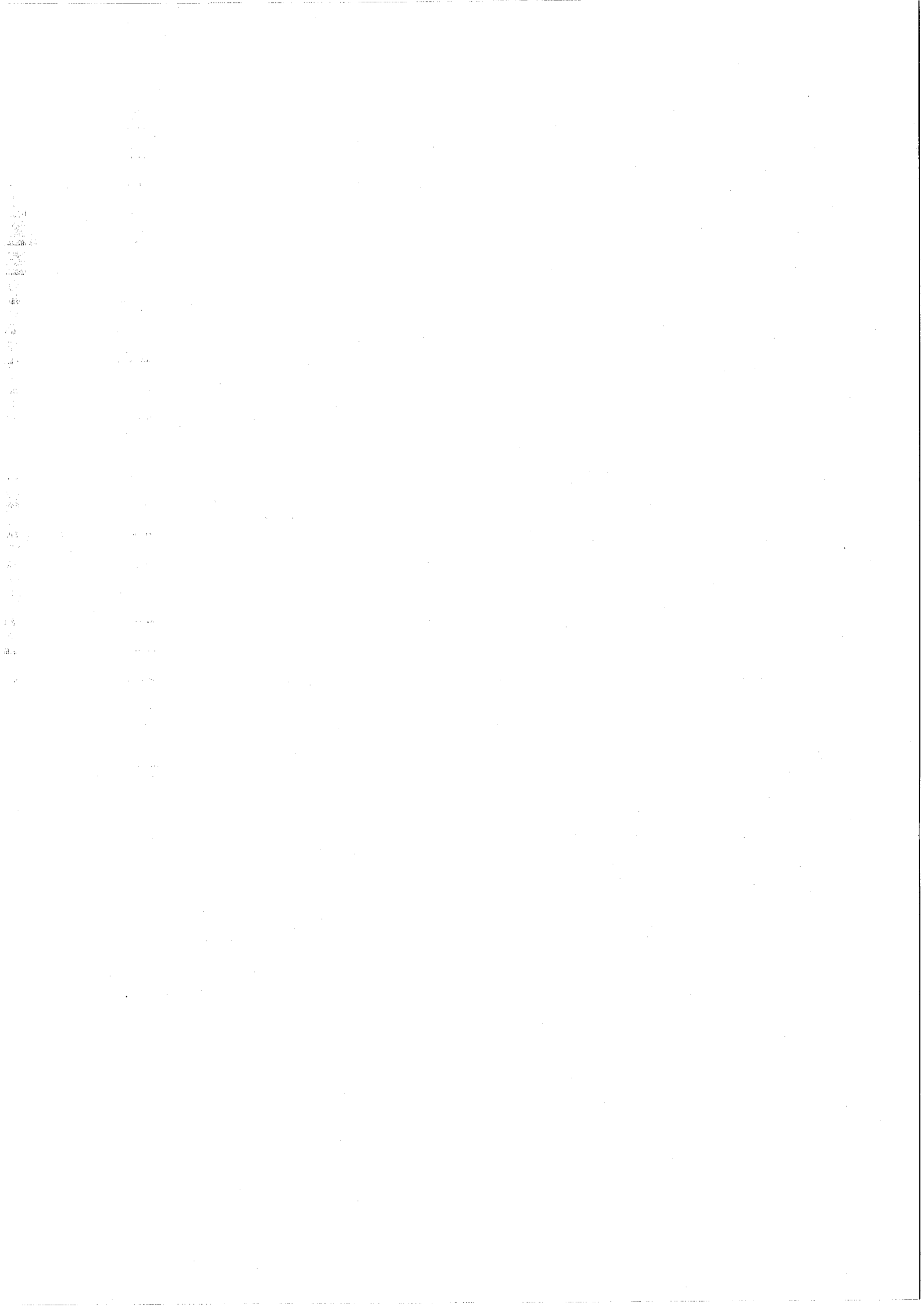
TC960D3S

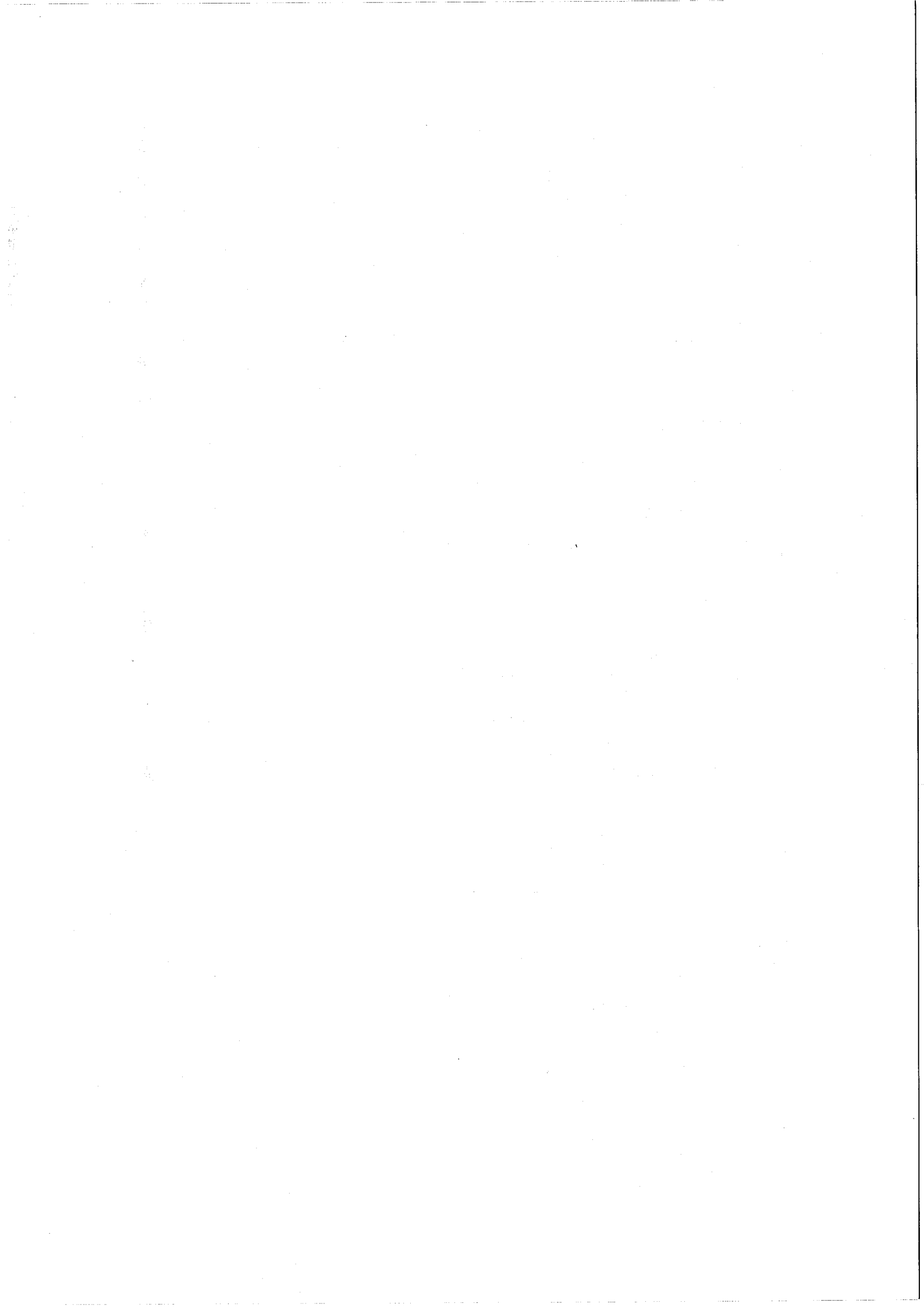
① Frame & Undercarriage (Figure 1)

No. 2/3

Item	Parts Number	Description	Q'ty	Remarks	Price
37	SA69225-70020	Cylinder Pin	2		
38	SA69211-80000	Crawler Tension Rod	4		
39	SA69211-40000	Front Idler	2		
40	SA60302-01000	Washer	2		
41	S00101-01020	Bolt	2	M10 × 20	
42	S00271-00010	Spring Washer	2	M10	
43	SA69211-50000	Front Idler Axle	2		
44	SA69261-80000	Hydraulic Cylinder	1		
45	SA69225-80030	Collar	2		
46	S00606-60000	Grease Nipple	2	UNF 1/4 28 Screw Mount A Type	
47	SA69264-81000	Hydraulic Hose	2		
48	SA68060-80000	Hydraulic Package Pump	1	PPL 5AC 1L	
49	SA63761-63000	45° Elbow	2	PT 1/4×PF 1/4 Female Sheet	
50	S00101-01025	Bolt	4	M10 × 25	
51	S606140-20100	Hydraulic Lever	1		
52	SA69223-30020	Hydraulic Pulley	1		
53	SA61522-01000	Washer	1		
54	S00101-01016	Bolt	1	M10 × 16	
55	S00341-05518	Key	1	5 × 5 × 18	
56	S00803-20033	V-Belt	1	LB-33 (Orange)	
57	S00271-00008	Spring Washer	13	M8	
58	S00101-00820	Bolt	9	M8 × 20	
59	S606140-20000	Hydraulic Pump Stand	1		
60	S00101-01020	Bolt	2	M10 × 20	
61	S00261-00010	Plain Washer	6	M10	
62	SA69226-40000	Spring Hanger Metal	1		
63	S00101-00816	Bolt	2	M8 × 16	
64	S00201-00008	Nut	2	M8	
65	SA69226-80000	Spring Tension Metal	1		
66	SA60621-05000	Spring	1		
67	SA69225-20080	Hydraulic Tension Arm	1		
68	SA60661-10000	Tension Pulley	1		
69	SA60660-70000	Washer	1		
70	S00271-00006	Spring Washer	1	M6	
71	S00101-00616	Bolt	1	M6 × 16	
72	S00368-00012	Snap Ring	1	E-12	

TC960D3S



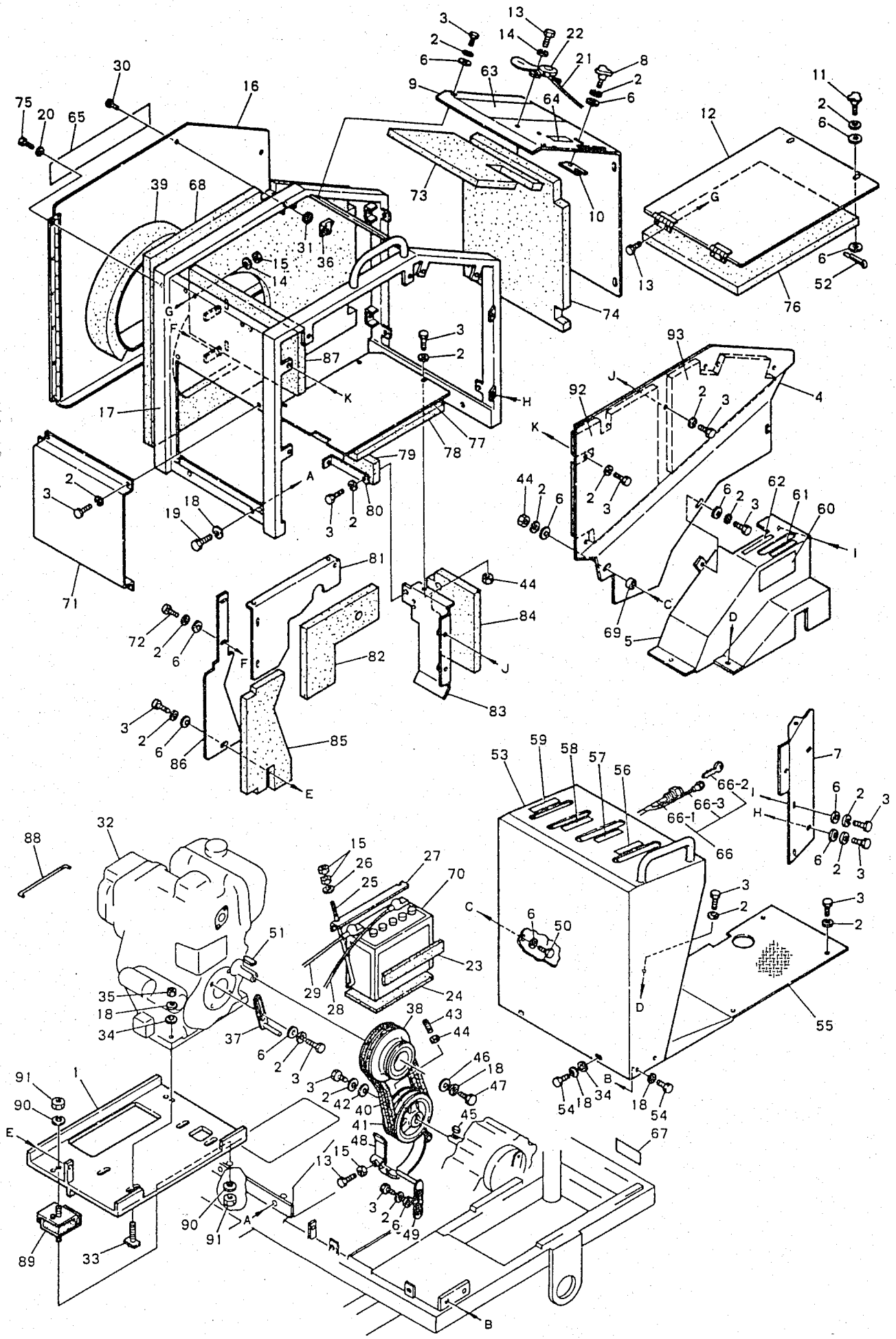


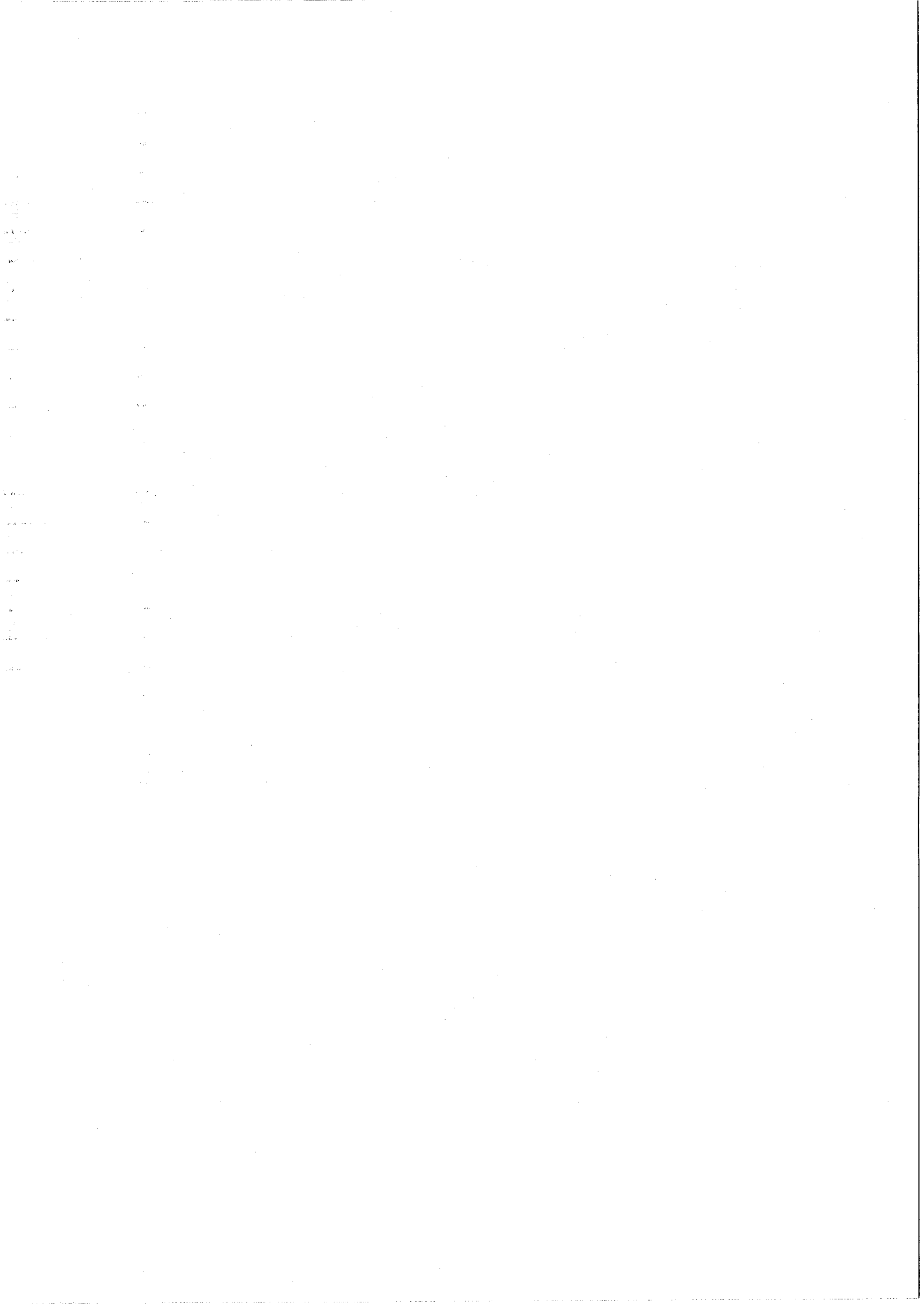
① Frame & Undercarriage (Figure 1)

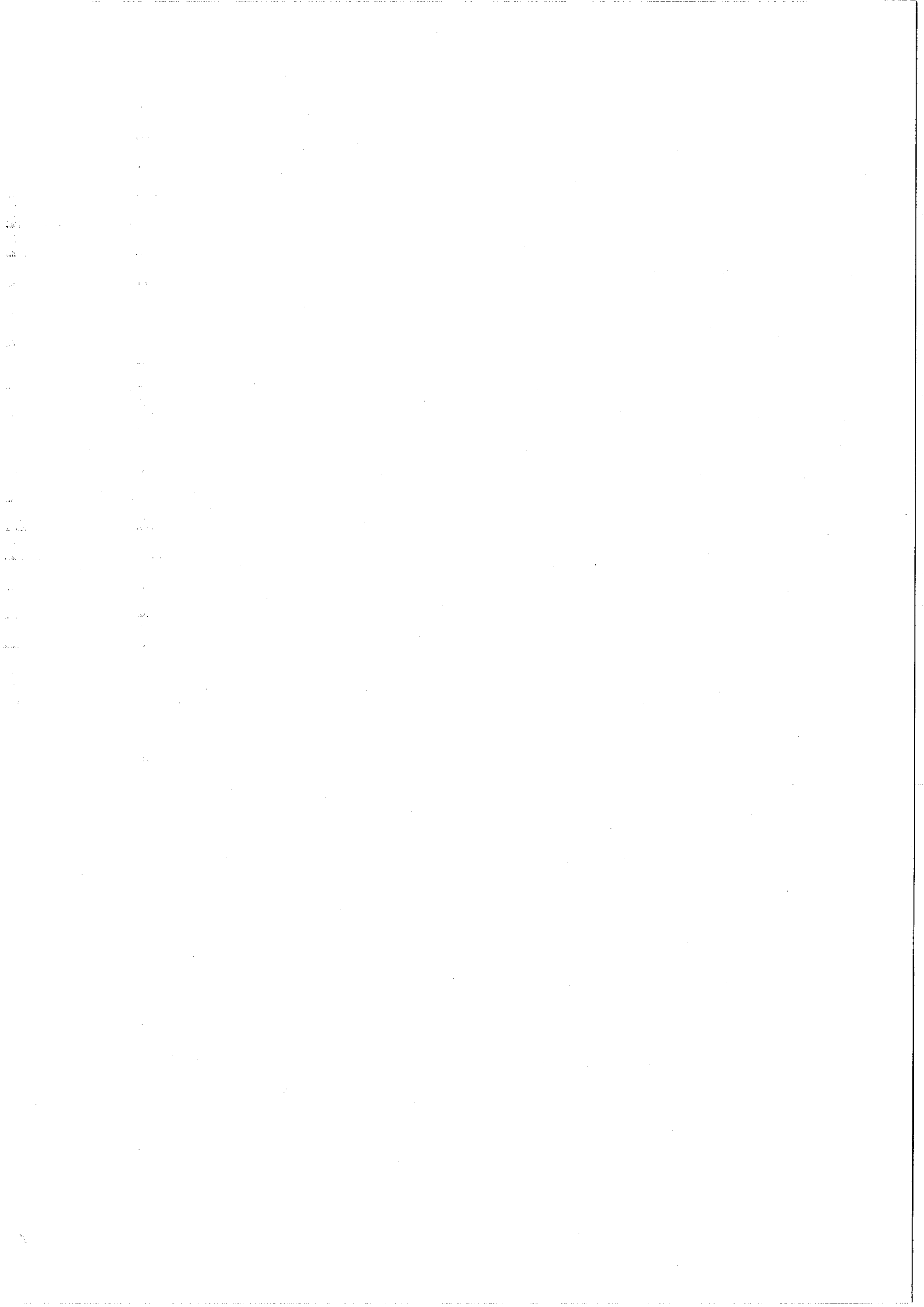
No. 3/3

Item	Parts Number	Description	Q'ty	Remarks	Price
73	S25996-11080	Pin	1	φ10×55 (50)	
74	S00311-09010	Pine Leaf Pin	1	φ10 45°	
75	S606118-20000	Saddle Stand	1		
76	SA65365-10000	Saddle Holding Rubber	2		
77	S01000-00027	Bolt	1	M8×150 (Semi)	
78	SA23557-00350	Operator Seat	1		
79	SA69528-80000	Loading Pallet Stopper	1		
80	S00101-11050	Bolt	1	M10 ×50 (Semi)8T	
81	SA40161-12000	Crank Handle Fix Metal	1		
82	S00271-00006	Spring Washer	2	M6	
83	S00201-00006	Nut	2	M6	
84	SA64765-00000	Spiral Tube	1		
85	SML40-0035	Colgate Tube	1		
86	SA23987-50120	Wire Band	5		
87	SA69017-20100	Hosing Stay Metal	2		
88	S00101-10820	Bolt	2	M8×20 (8T)	
89	SA69218-60000	Stone Guard	2		
90	SA60660-30020	Grip	1	φ9.5 Black	
91	S606112-20000	Weight	2		
92	S001010-12130	Bolt	2	M12 ×130 (Semi)	
93	S606111-22400	Muffler Cover	1		
94	S606122-60800	Suction Pipe	1		
95	S606122-60700	Band	2	φ40~65	
96	S606100-20100	Guard	1		
97	S00101-01225	Bolt	2	M12 ×25	
98	S00271-00012	Spring Washer	2	M12	
99	S606122-61100	Muffler Pipe (A)	1		
100	S606122-61000	Clamp	2		
101	S606122-61200	Muffler Pipe (B)	1		
102	S00201-00008	Nut	4	M8	
103	S114654-13510	Muffler	1		
104	S00101-00616	Bolt	4	M6×16	
105	S00271-00006	Spring Washer	4	M6	
106	S00261-00006	Plain Washer	4	M6	
107	S606122-61300	Muffler Pipe (C)	1		
108	S01000-00063	Bolt	1	M10 ×110 (Semi)	
109	SA86060-91000	Blinded Tap	2	60×30×t2.3	
110	S00201-00010	Nut	2	M10	

Figure 2. Accessories







② Accessories (Figure 2)

No. 1/3

Item	Parts Number	Description	Q'ty	Remarks	Price
1	S606122-20200	Engine Base	1		
2	S00271-00008	Spring Washer	47	M8	
3	S00101-00816	Bolt	46	M8×16	
4	S606111-20200	Belt Cover	1		
5	S606111-20100	Change Cover	1		
6	S00261-00008	Plain Washer	25	M8	
7	SA69227-30030	Cover	1		
8	SA01000-00108	Knob Bolt	1		
9	S606111-20600	Engine Cover: Rear	1		
10	SA69228-80900	Hydraulic Lever Stopper	1		
11	SA69222-00000	Knob Bolt	2		
12	S606111-21200	Engine Cover: Upper Lid	1		
13	S00101-00616	Bolt	2	M6×16	
14	S00261-00006	Spring Washer	4	M6	
15	S00201-00006	Nut	4	M6	
16	S606111-20900	Engine Cover (Side)	1		
17	S606111-20000	Engine Cover	1		
18	S00271-00010	Spring Washer	14	M10	
19	S00101-01016	Bolt	4	M10 ×16	
20	S00271-00005	Spring Washer	6	M5	
21	SA69260-43000	Throttle Wire	1		
22	SA86362-20000	Throttle Lever	1		
23	SA80863-92000	Battery Rubber	1		
24	SA80163-92000	Battery Stay Rubber	1		
25	SA80524-30000	Screw	2		
26	SA60660-70000	Washer	2		
27	SA80522-30010	Stopper Metal	1		
28	SA69263-00000	Battery Code (+)	1		
29	SA69263-00010	Battery Code (-)	1		
30	S606111-62500	Stud	3	φ6 ×13	
31	S606111-62600	Steel Retainer	3	Part# 326101190	
32	S606122-60000	Engine	1	Yanmar L100ASESA	
33	S606122-20100	Fix Bolt	4		
34	S00261-00010	Plain Washer	4	M10	
35	S00201-00010	Nut	4	M10	
36	S606111-62700	Slip On Receptacle	3	Part# 336300190	

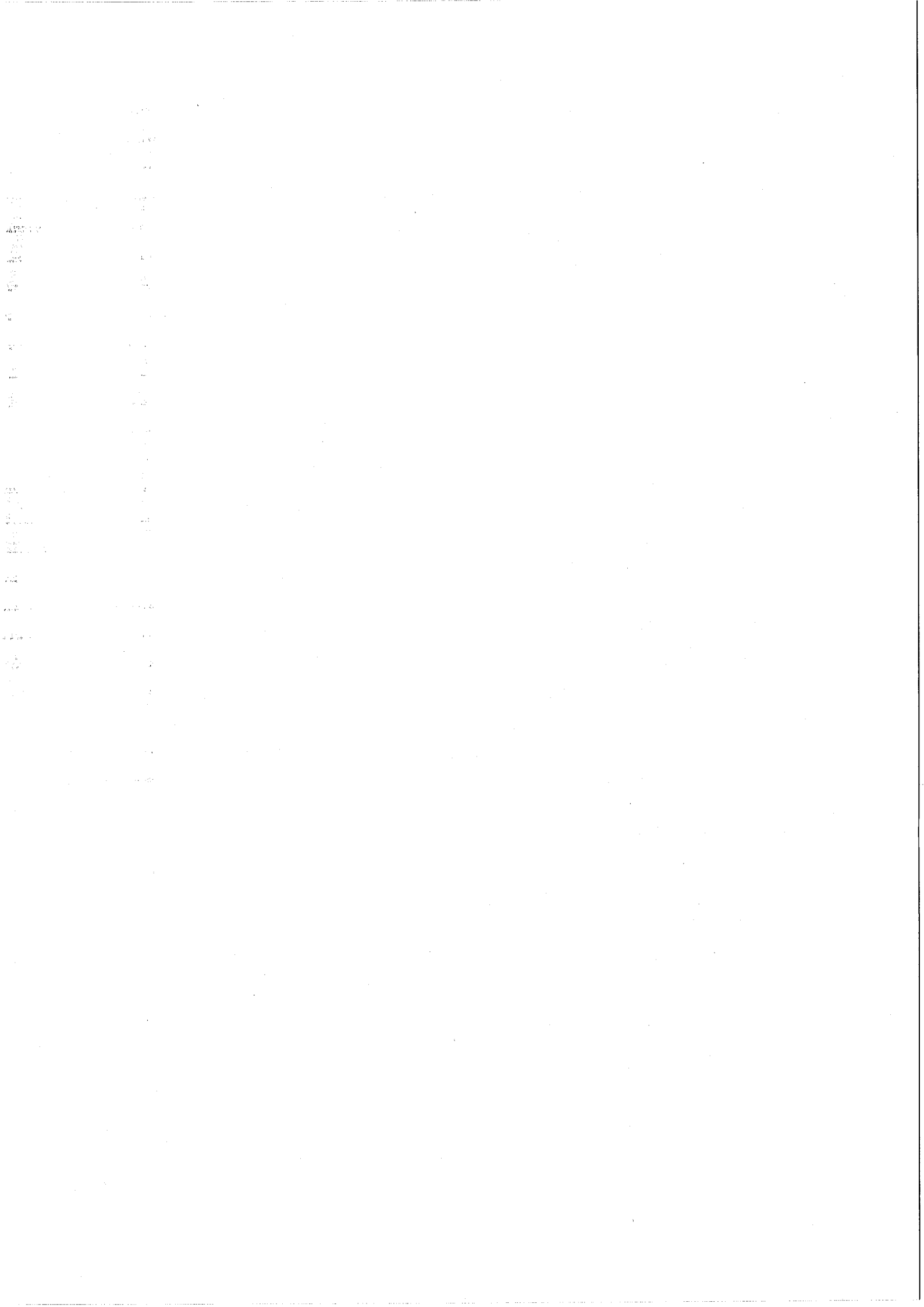
TC96003S

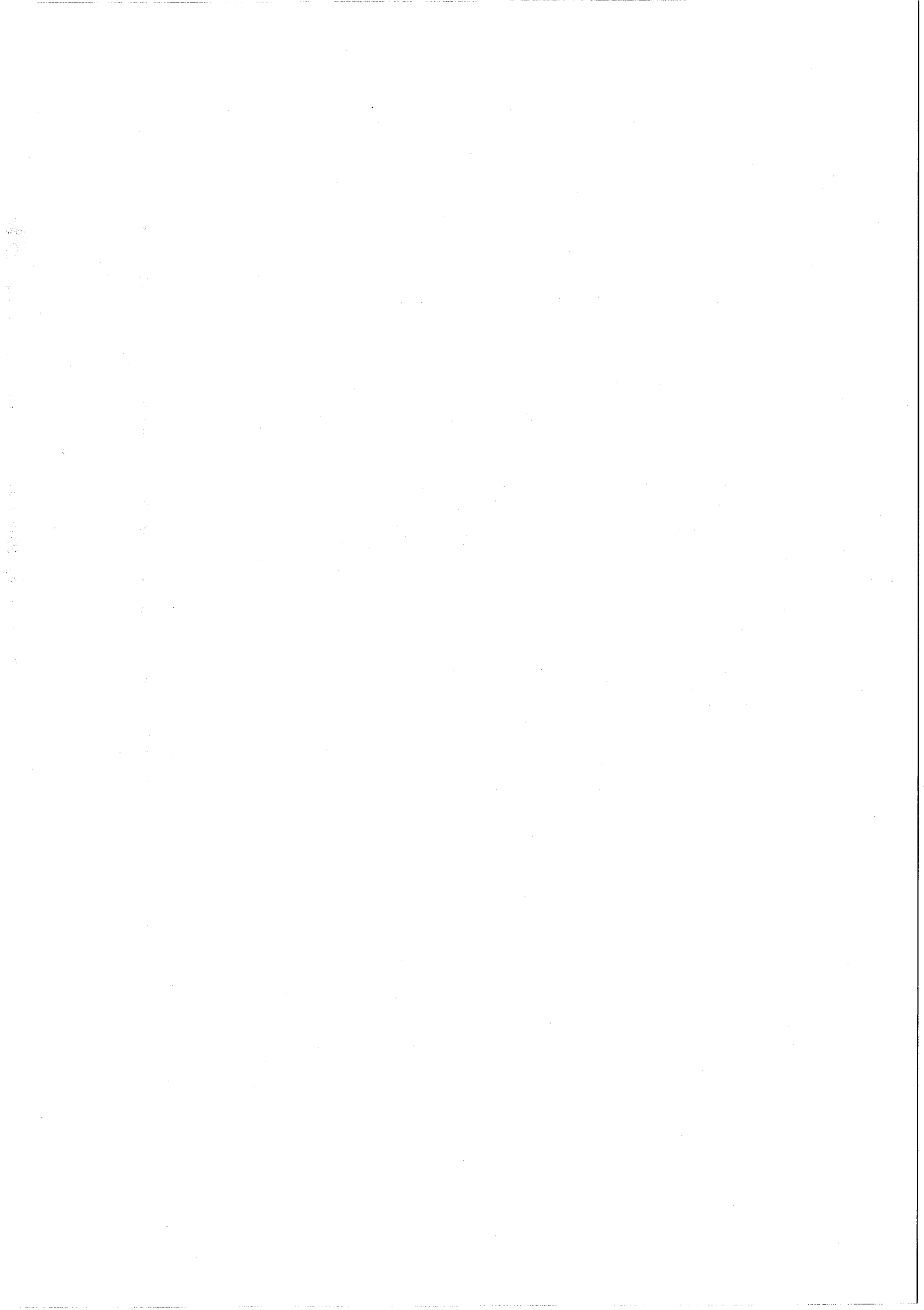
② Accessories (Figure 2)

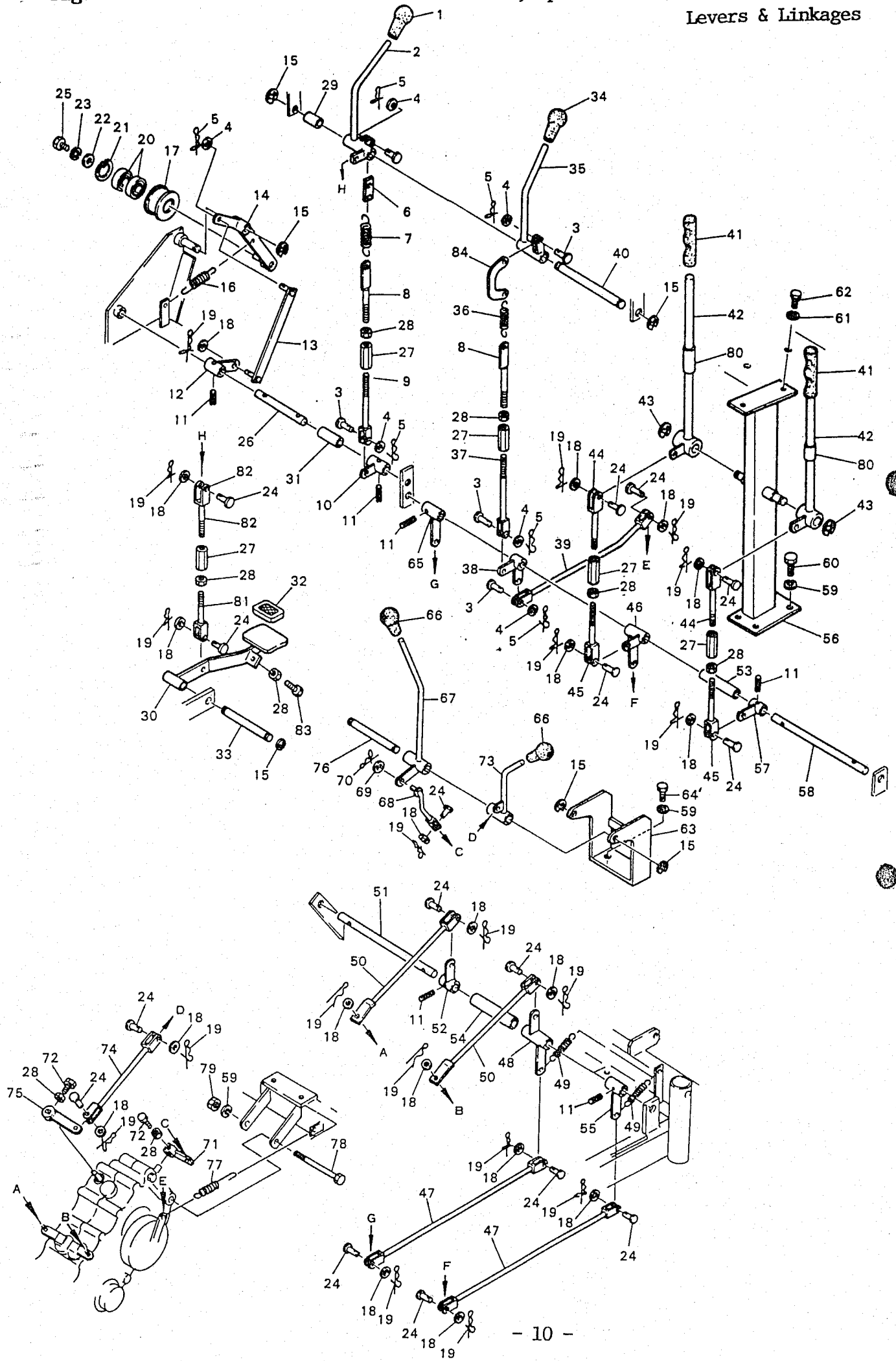
No. 2/3

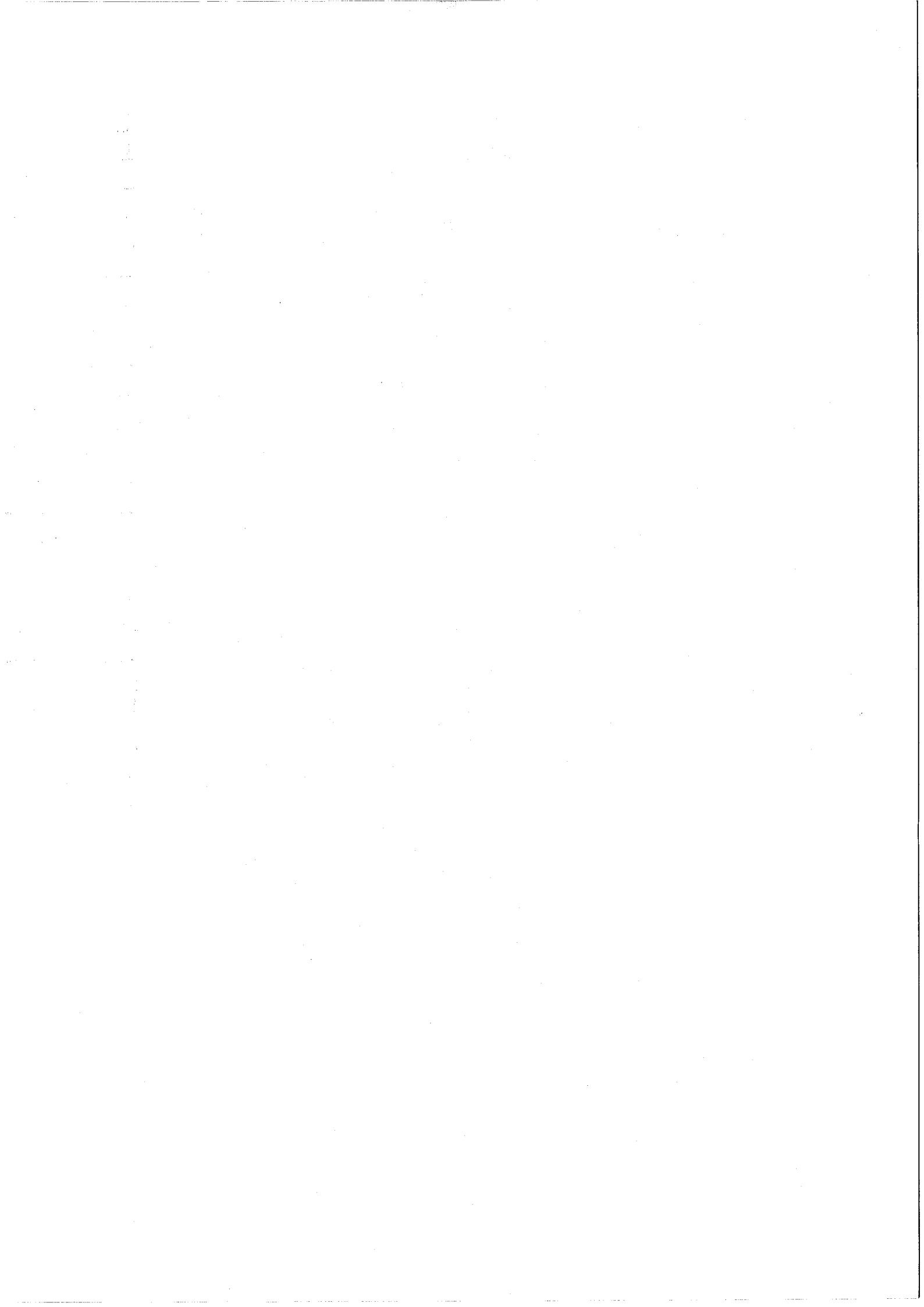
Item	Parts Number	Description	Q'ty	Remarks	Price
37	SA61523-70000	Belt Stopper	2		
38	S606121-20000	Engine Pulley	1		
39	S606111-61100	Insulator (Engine Cover: Side B)	1		
40	S00803-20037	V-Belt	2	LB-37 (Orange)	
41	SA69223-30010	Transmission Input Pulley	1		
42	SA60022-01000	Washer	1		
43	S01000-00039	Set Screw	1	M8×25	
44	S00201-00008	Nut	1	M8	
45	S03-0005530	Key	1	5 × 5 × 30 (Semi-Circle)	
46	Y145610-83880	Washer	1	Yanmar Parts	
47	Y26106-100252	Bolt	1	Yanmar Parts(M10×25)	
48	SA69023-70000	Belt Stopper	1		
49	SA60623-70000	Belt Stopper	2		
50	S00101-00825	Bolt	1	M8×25	
51	Y22512-070360	Key	1	Yanmar Parts	
52	S00301-04040	Cotter Pin	2	φ2 × 15	
53	S606160-20800	Manipulating Panel	1		
54	S00101-01020	Bolt	5	M10 × 20	
55	S606111-22600	Foot Stay Floor	1		
56	SA69060-20340	LH Turn Sticker	1		
57	SA69060-20330	RH Turn Sticker	1		
58	SA69060-20320	Brake "On" Sticker	1		
59	SA69060-20310	Traction "On" Sticker	1		
60	SA69260-20193	Caution Sticker	1		
61	SA69260-20080	Sub Speed Shift Sticker	1		
62	SS69260-20070	Main Speed Shift Sticker	1		
63	SA69260-20090	Engine Cover Stripe Sticker	1		
64	SA69060-20350	Dumping Sticker	1		
65	S606065-60100	Model Number Sticker	1		
66	S606180-60000	Harness	1	Engine Parts	
67	SA63163-91000	Reflecting Sticker	2		
68	S606111-61000	Insulator (Engine Cover: Side A)	1		
69	SA69220-40100	Collar	1		
70	S80164-01000	Battery	1	38B20L	
71	S606111-22500	Engine Cover (Front)	1		
72	S00101-00816	Bolt	2	M8×16	

TC96003S











③ Side Clutch, Parking Brake,
Speed Shift (Main & Sub) Levers & Linkages

No. 1/3

Item	Parts Number	Description	Q'ty	Remarks	Price
1	SA60660-30030	Grip	1	φ12 Black	
2	S606160-20000	Traction Lever	1		
3	SA60660-80000	Plain Pin	4		
4	S00261-00006	Plain Washer	4	M6	
5	S00311-99006	Pine Leaf Pin with Stopper	4	φ6	
6	S606160-20100	Rod (Traction Lever Spring)	1		
7	SA40121-00032	Spring	1		
8	SA69225-50110	Traction Brake Rod	2		
9	S606160-20200	Traction Rod	1		
10	SA69225-20050	Traction Link Arm (A)	1		
11	S00303-00525	Spring Pin	6	φ5 X25	
12	SA69225-20060	Traction Link Arm (B)	1		
13	SA69225-50090	Traction Rod (A)	1		
14	S606121-20100	Traction Tension Arm	1		
15	S00368-00012	Snap Ring	3	E-12	
16	SA60621-04000	Spring	1		
17	SA75223-04000	Tension Pulley	1		
18	S00261-00006	Plain Washer	1	M6	
19	S00311-99006	Pine Leaf Pin with Stopper	1	φ6	
20	S00401-46201A	Ball Bearing	2	6201 [2NS]	
21	S00365-00032	Snap Ring	1	R32	
22	SA60660-70000	Washer	1		
23	S00271-00006	Spring Washer	1	M6	
24	SA25996-11080	Plain Pin	14		
25	S00101-00616	Bolt	1	M6X16	
26	SA69224-90030	Traction Link Shaft	1		
27	SA60665-30100	Turn Buckle	5		
28	S00201-00008	Nut	7	M8	
29	S606160-20900	Collar (Lever Shaft)	1		
30	S606160-20500	Traction Pedal	1		
31	SA73720-40000	Collar	1		
32	S606160-60700	Cover	1		
33	S606160-20400	Shaft (Traction Pedal)	1	Isuzu 9-47313019-0	
34	SA61560-30000	Grip	1		
35	SA69224-50010	Brake Lever	1		
36	SA61521-05000	Spring	1		

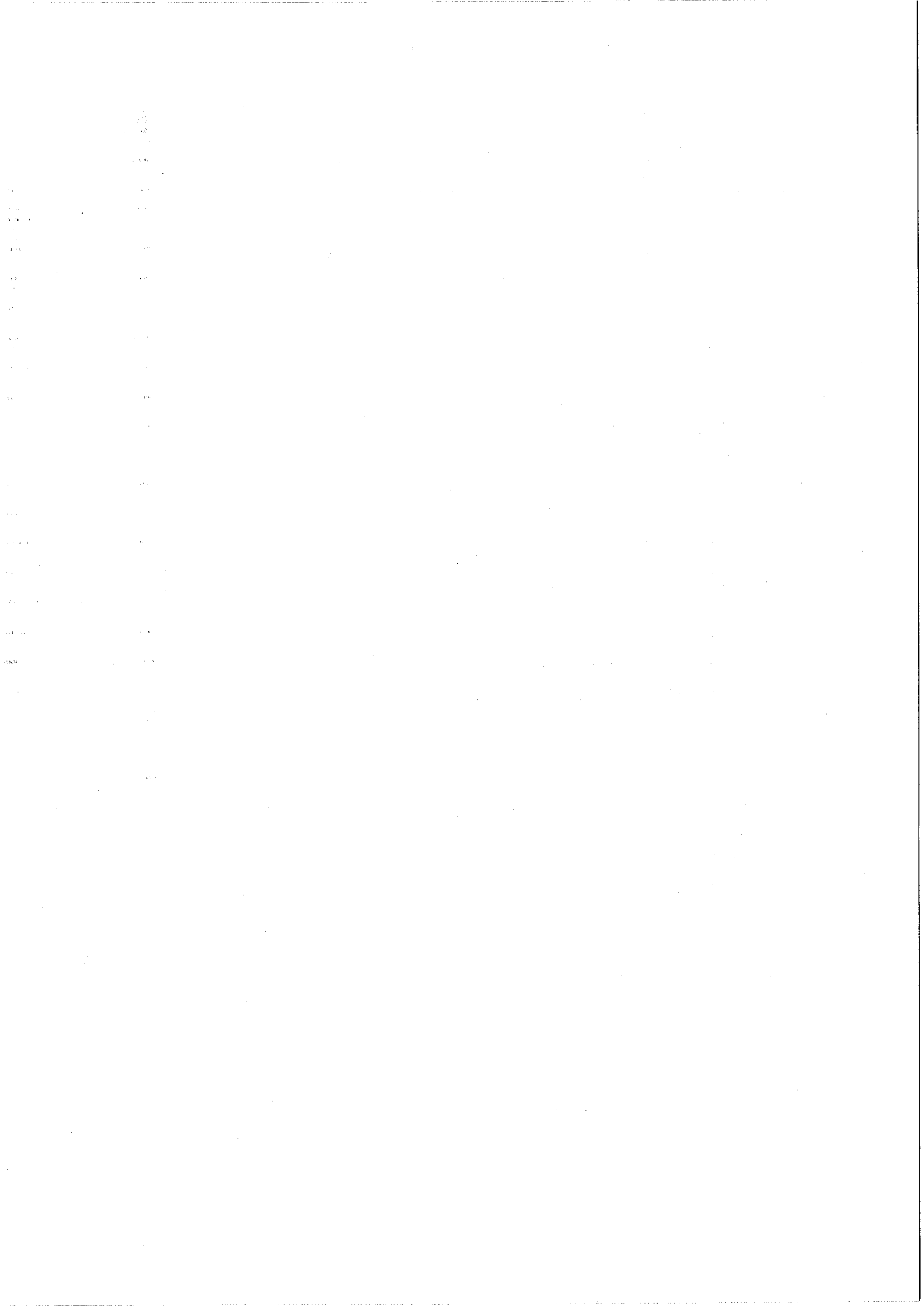
TC960D3S

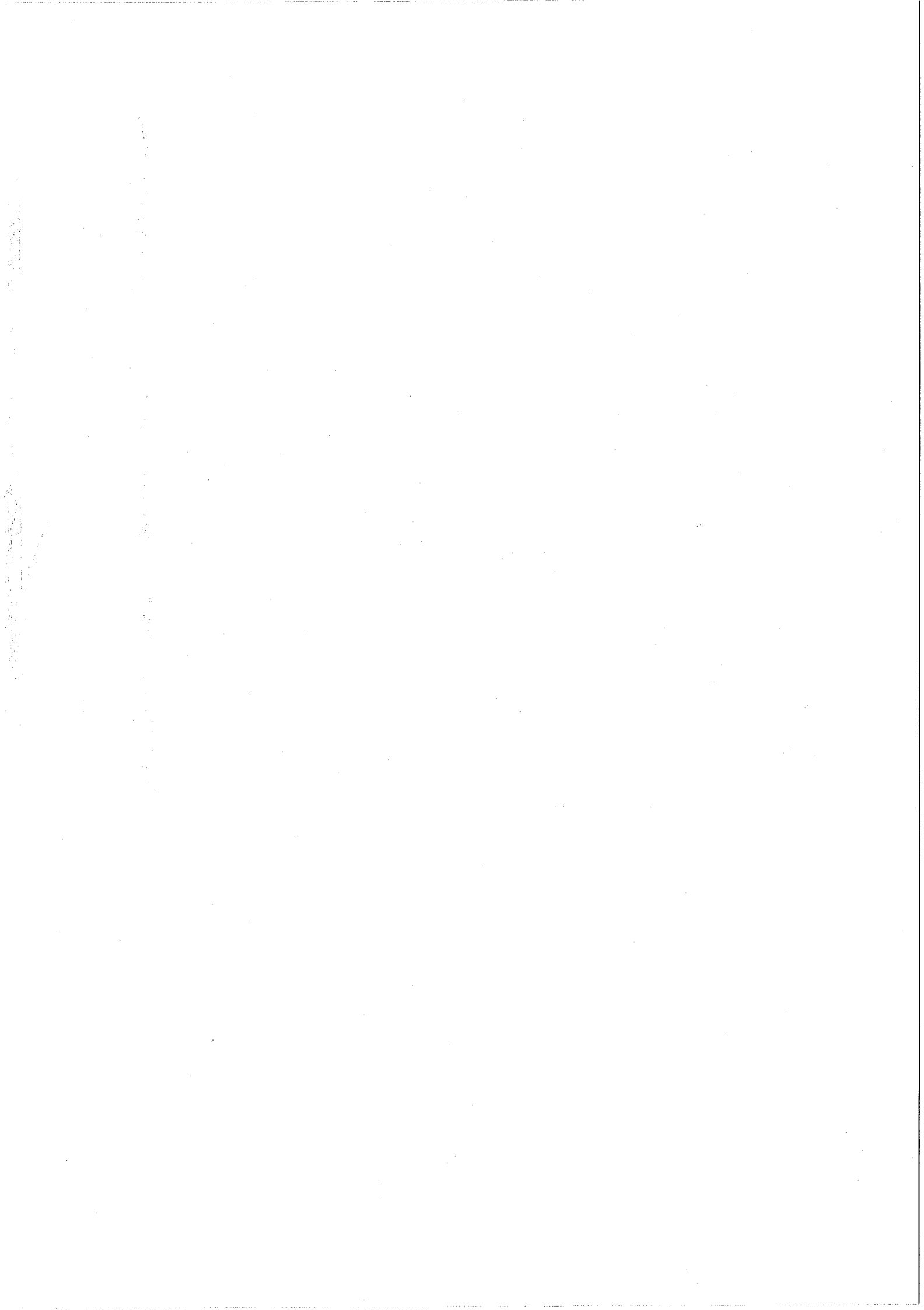
③ Side Clutch, Parking Brake,
Speed Shift (Main & Sub) Levers & Linkages

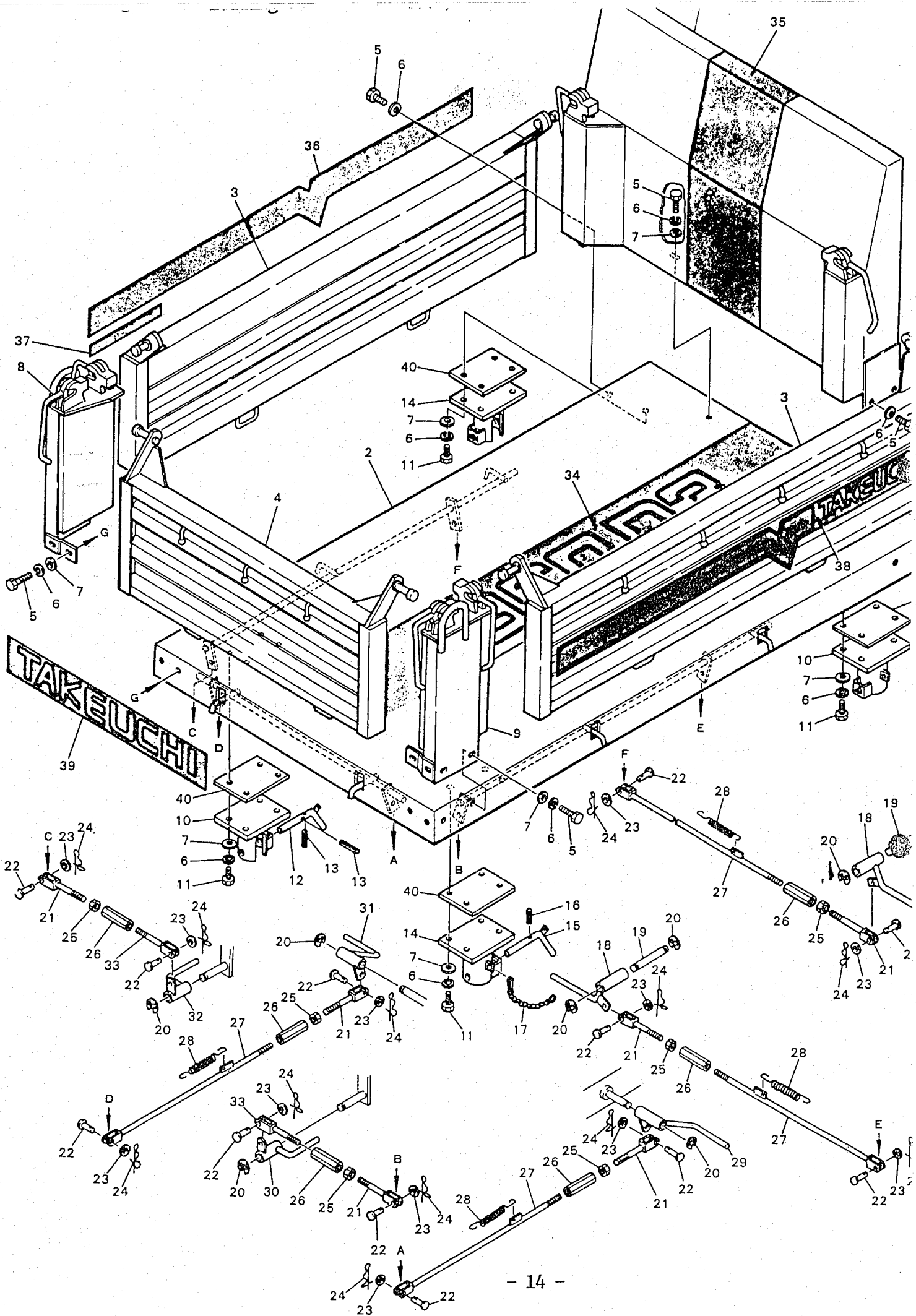
No. 2/3

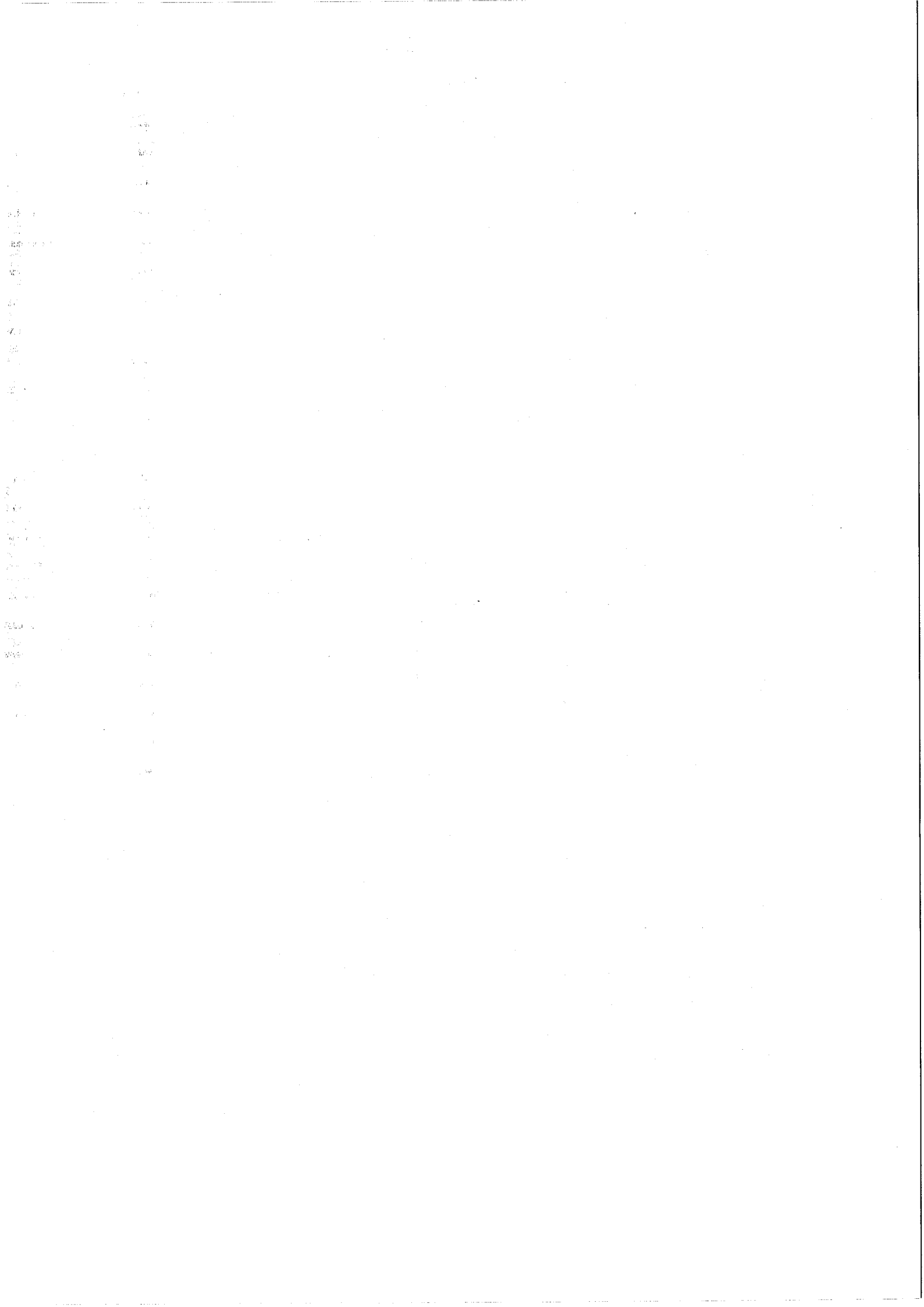
Item	Parts Numberer	Description	Q'ty	Remarks	Price
37	SA69225-50061	Brake Rod (B)	1		
38	SA69225-20030	Brake Arm	1		
39	SA69225-50051	Brake Rod (A)	1		
40	SA69224-90040	Traction Brake Lever Shaft	1		
41	SA61560-30010	Grip	2		
42	SA69224-50000	Side Clutch Lever	2		
43	S00368-00015	Snap Ring	2	E-15	
44	SA69225-50021	Side Clutch Rod (Front)	2		
45	SA65524-00030	Side Clutch Rod (A)	2		
46	SA69225-20010	Side Clutch Link Arm (RH Front)	1		
47	SA69225-50040	Rod (Side Clutch)	2		
48	SA69225-20020	Side Clutch Link Arm (Rear LH)	1		
49	SA60621-04000	Spring	2		
50	SA69225-50030	Side Clutch Rod	2		
51	SA69224-90020	Side Clutch Shaft (Rear)	1		
52	SA69226-90020	Side Clutch Link Metal	1		
53	SA69225-80010	Lever Collar	1		
54	SA69225-80000	Side Clutch Collar (Rear)	1		
55	SA69226-90000	Side Clutch Link Metal(LH Front A)	1		
56	SA69222-90020	Side Clutch Support Stand	1		
57	SA69226-90000	Side Clutch Link Metal(LH Front A)	1		
58	SA69224-90010	Link Shaft,Side Clutch (Front)	1		
59	S00271-00010	Spring Washer	6	M10	
60	S00101-01025	Bolt	4	M10 × 25	
61	S00271-00008	Spring Washer	3	M8	
62	S00101-00816	Bolt	2	M8 × 16	
63	SA69226-60010	Change Lever Stay Metal	1		
64	S00101-01016	Bolt	2	M10 × 16	
65	SA69226-90010	Side Clutch Link Metal(LH Front B)	1		
66	SA24981-80090	Grip	2		
67	SA69224-50041	Main Speed Shift Lever	1		
68	SA69225-50130	Main Speed Shift Rod	1		
69	S00261-00010	Plain Washer	1	M10	
70	S00311-99010	Pine Leaf Pin with Stopper	1	φ 10	
71	SA69225-20980	Main Speed Shift Arm	1		
72	S60660-50010	Bolt	2	M8 × 25	

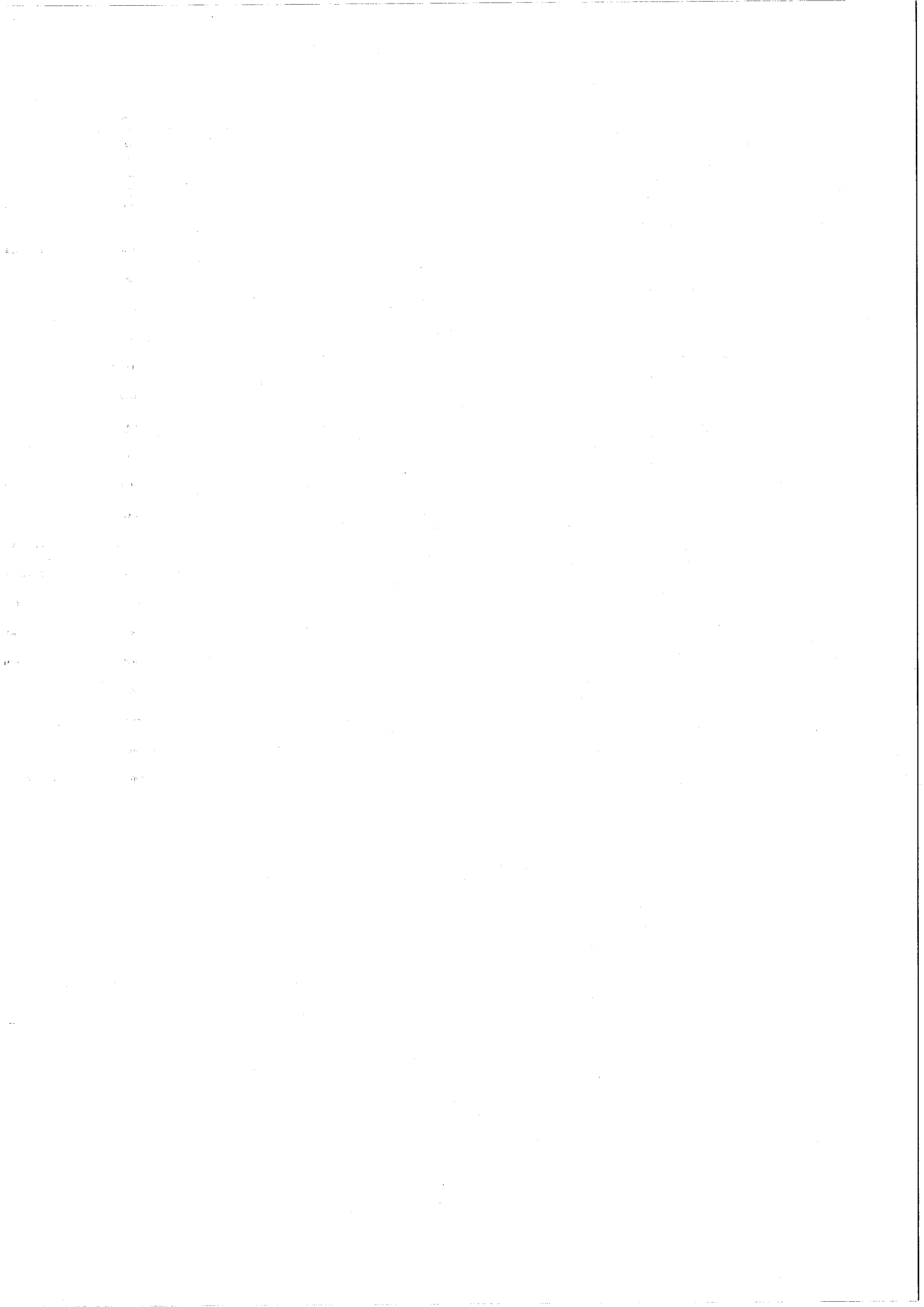
TC960D3S











Item	Parts Number	Description	Q'ty	Remarks	Price
1	S606052-20100	Frame (Rear)	1		
2	S606052-20000	Loading Pallet	1		
3	SA69222-70010	Side Door	2		
4	SA69222-70000	Front Door	1		
5	S00101-01025	Bolt	8	M10 X25	
6	S00271-00010	Spring Washer	24	M10	
7	S00261-00010	Plain Washer	24	M10	
8	S606152-20500	Support (RH) <i>Hebel</i>	1	<i>TX 6929080000</i>	
9	S606152-20600	Support (LH) <i>Hebel</i>	1	<i>TX 6929080070</i>	
10	SA69226-50000	Pallet Support Point Metal (A)	2		
11	S00101-11030	Bolt	16	M10 X30 (8T)	
12	SA69225-70010	Pallet Stopper Pin (B)	2		
13	S00303-00318	Spring Pin	4	φ3 X18	
14	SA69226-50010	Pallet Support Point Metal (B)	2		
15	SA69225-70000	Pallet Stopper Pin (A)	2		
16	S00303-00322	Spring Pin	2	φ3 X22	
17	SA69261-60000	Chain	4		
18	SA69226-30040	Pull Lever Metal (C)	2		
19	SA69224-90000	Shaft	2		
20	S00368-00012	Snap Ring	4	E-12	
21	SA69225-50000	Rod (Pallet, Front, LH/RH)	6		
22	SA25996-11080	Plain Pin	12		
23	S00261-00008	Plain Washer	12	M8	
24	S00311-99008	Pine Leaf Pin with Stopper	12		
25	S00201-00008	Nut	6	M8	
26	SA60665-30100	Turn Buckle	6		
27	SA69225-50010	Rod (Door Open/Close)	4		
28	SA60621-04000	Spring	4		
29	SA69226-30020	Pull Lever Metal (B) (LH)	1		
30	SA69226-30000	Pull Lever Metal (A) (LH)	1		
31	SA69226-30010	Pull Lever Metal (B) (RH)	1	✓	
32	SA69226-30030	Pull Lever Metal (A) (RH)	1	✓	
33	SA65424-00030	Rod	2		
34	S606065-60000	Sticker (Model)	1		
35	SA69260-20040	Pallet Sticker (Rear)	1		
36	SA69260-20000	"Takeuchi" Rogo Sticker (RH)	1		