

Product: 1993 Canon NP2120/2020 Printer Service Repair Workshop Manual  
Full Download: <https://www.arepairmanual.com/downloads/1993-canon-np21202020-printer-service-repair-workshop-manual/>

# NP2120/2020

## SERVICE MANUAL (for 115V) REVISION 2

**Canon**

Sample of manual. Download All 262 pages at:

**JAN 1993** **FY8-13AL-020**  
<https://www.arepairmanual.com/downloads/1993-canon-np21202020-printer-service-repair-workshop-manual/>

Product: 1993 Canon NP2120/2020 Printer Service Repair Workshop Manual  
Full Download: <https://www.arepairmanual.com/downloads/1993-canon-np21202020-printer-service-repair-workshop-manual/>

THE INFORMATION CONTAINED HEREIN IS PUBLISHED BY CANON, INC., JAPAN, AND IS FOR REFERENCE USE ONLY. SPECIFICATIONS AND OTHER INFORMATION CONTAINED HEREIN MAY VARY SLIGHTLY FROM ACTUAL MACHINE VALUES OR THOSE FOUND IN ADVERTISING AND OTHER PRINTED MATTER.

ANY QUESTIONS REGARDING INFORMATION CONTAINED HEREIN SHOULD BE DIRECTED TO THE COPIER REGIONAL SERVICE DEPARTMENT, CANON, U.S.A.

**COPYRIGHT © 1993 CANON INC.**

*Printed in USA*

Use of this manual should be strictly supervised to avoid disclosure of confidential information.

Prepared by

COPYING MACHINE TECHNICAL INFORMATION DEPT.  
COPYING MACHINE TECHNICAL INFORMATION DIV.

CANON INC.

Sample of manual Download All 260 pages at <https://www.arepairmanual.com/downloads/1993-canon-np21202020-printer-service-repair-workshop-manual/>

<https://www.arepairmanual.com/downloads/1993-canon-np21202020-printer-service-repair-workshop-manual/>

# INTRODUCTION

This SERVICE MANUAL is intended to provide the serviceman with a basic knowledge of the NP2120/2020 and has been compiled to serve as a handy reference for his work in the field.

The NP2120/2020 is designed to accommodate the following for fully automated copy work:

1. Sorter-A1, MS-A1
2. ADF-A1
3. Paper Deck Pedestal
4. Control Card V

A separate service manual is made available for the Sorter-A1, MS-A1, ADF-A1, and Control Card; see the respective manuals for discussions of each.

In CHAPTER 1 GENERAL DESCRIPTION, a brief discussion of the NP2120/2020's features, diagrams of its parts, and an explanation of its operation are given.

CHAPTER 2 COPYING PROCESS deals with the inner workings of the NP2120/2020 which are associated with the generation of copies.

CHAPTER 3 OPERATIONS AND TIMING explains how the NP2120/2020's electrical and mechanical systems are related to each other with respect to functions and timing of operations.

In CHAPTER 4 MECHANICAL SYSTEM, the NP2120/2020's mechanical system is discussed as to its operation, disassembly, reassembly, and adjustment.

CHAPTER 5 INSTALLATION gives step-by-step instructions for installing the NP2120/2020 together with checks to make for each step.

CHAPTER 6 MAINTENANCE AND SERVICING contains tables of replacement parts and consumables.

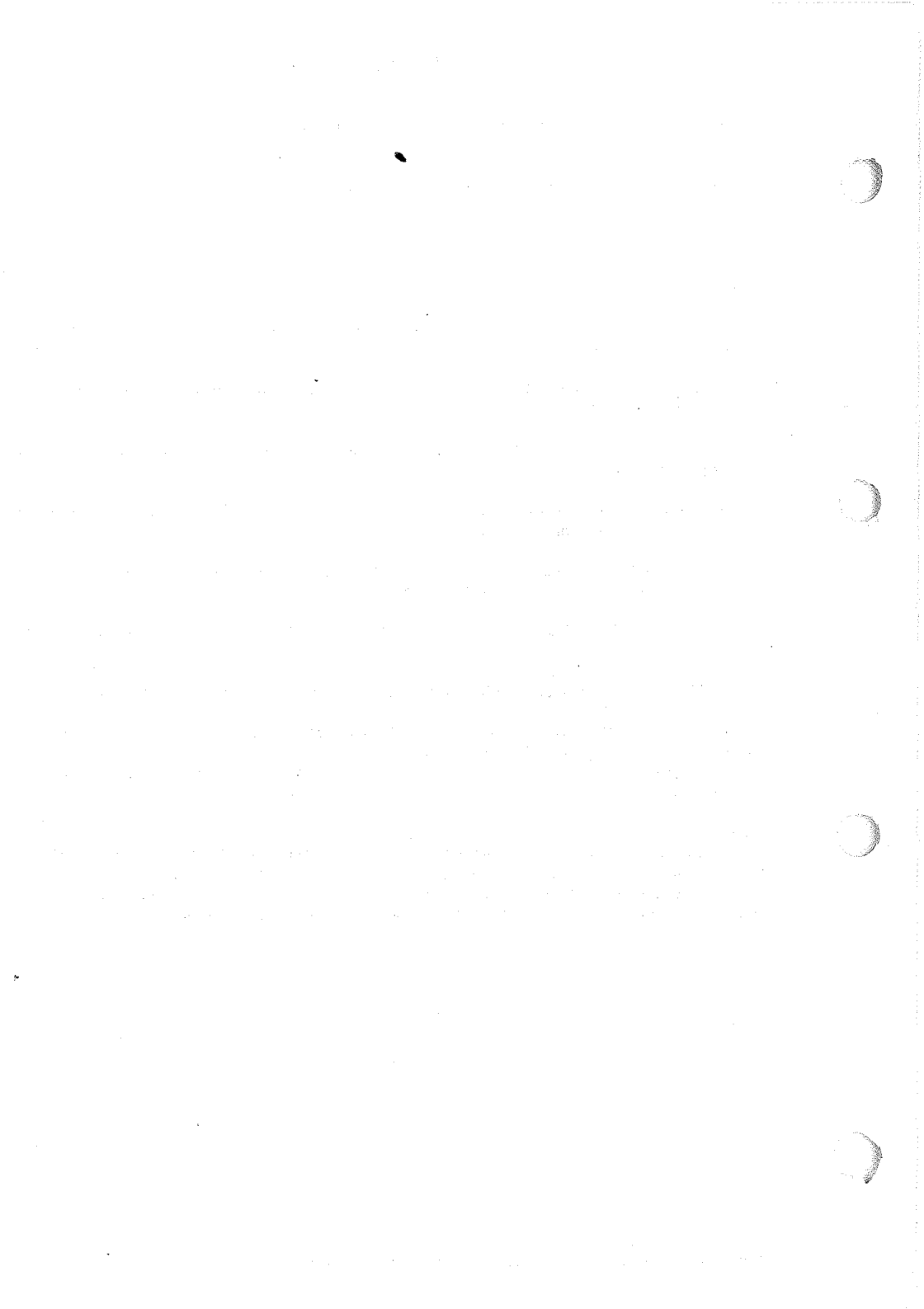
In addition to the above chapters, this SERVICE MANUAL contains a set of appendixes consisting of a general timing chart and general circuit diagrams.

A separate document entitled SERVICE HANDBOOK is also available for troubleshooting problems in the NP2120/2020.

## **Note:**






The contents of this manual may be updated from time to time to reflect improvements rendered to the NP2120/2020; a Service Information Bulletin will be issued as necessary to cover major changes.

All servicemen are expected to be thoroughly familiar with the information contained in this manual, SERVICE HANDBOOK, and Service Information Bulletins, for quick response to the user's needs.



# CONTENTS

## CHAPTER 1 GENERAL DESCRIPTION

I. FEATURES .....	1-1	D. Using the Manual Feed Tray (NP2120) .....	1-10
II. SPECIFICATIONS .....	1-2	E. Making Two-Sided Copies .....	1-10
A. Type .....	1-2	F. Making Overlay Copies .....	1-11
B. Construction .....	1-2	G. Replacing the CT Unit .....	1-11
C. Performance .....	1-3	H. Using the COPY DENSITY CORRECTION Lever .....	1-11
D. Others .....	1-4	I. Atuo-Start (NP2120) .....	1-11a
III. NAMES OF PARTS .....	1-7	V. WARNINGS AND ACTIONS TO TAKE .....	1-12
A. External View .....	1-7	A. JAM Indicator (  ) .....	1-12
B. Cross-Sectional View .....	1-8	B. ADD PAPER Indicator (  ) .....	1-12a
IV. OPERATION .....	1-9	C. ADD TONER Indicator (  ) .....	1-13
A. Control Panel .....	1-9	D. CONTROL CARD Indicator (  ) .....	1-13
B. Making Copies .....	1-10	E.  Indicator .....	1-13
C. Using the Manual Feed Tray (NP2020) .....	1-10	VI. ROUTINE WORK BY THE USER .....	1-14

## CHAPTER 2 COPYING PROCESS

I. IMAGE FORMATION PROCESS .....	2-1	II. AUXILIARY PROCESSES .....	2-6
A. Outline .....	2-1	A. Blank Exposure Mechanism .....	2-6
		B. Ozone Filter .....	2-6

## CHAPTER 3 OPERATIONS AND TIMING

I. BASIC MECHANISMS .....	3-1	G. Developing Assembly and Drum Cleaning Unit .....	3-36
A. Functional Construction .....	3-1	H. Blank Control .....	3-37
B. Electrical Circuitry .....	3-2	I. Controlling the Transfer Corona Wire Cleaning Mechanism .....	3-38
C. Inputs to DC Controller .....	3-4	IV. PICK-UP/FEED SYSTEM .....	3-39
D. Outputs from DC Controller .....	3-8	A. Outline .....	3-39
E. Basic Sequence .....	3-11	B. Identifying the Cassette Size .....	3-43
II. EXPOSURE SYSTEM .....	3-13	C. Fixing Assembly and Delivery Assembly .....	3-44
A. Varying the Reproduction Ratio .....	3-13	D. Error Detection Circuit (NP2020) .....	3-47
B. Lens Drive Sytem .....	3-14	E. Error Detection Circuit (NP2120) .....	3-47a
C. Scanner Drive System .....	3-18	F. Jam Detection .....	3-48
D. Document Size Identification .....	3-21	V. POWER SUPPLY .....	3-52
III. IMAGE FORMATION SYSTEM .....	3-24	A. DC Power Supply .....	3-52
A. Outline .....	3-24	B. DC Power Supply for Options .....	3-53
B. Basic Sequence of Image Formation .....	3-25	VI. SERVICE MODES .....	3-55
C. Controlling the Scanning Lamp .....	3-26	A. Outline .....	3-55
D. Controlling the Primary/Transfer Corona Current and the Grid Bias Voltage .....	3-28	B. Using the Service Mode .....	3-56
E. Controlling the Development Bias .....	3-30	VII. SELF DIAGNOSTIC MECHANISM .....	3-57
F. Measuring the Document Density .....	3-33		

## CHAPTER 4 MECHANICAL SYSTEM

I. EXTERNALS .....	4-1	IV. EXPOSURE SYSTEM .....	4-18
A. External Covers .....	4-1	A. Illuminating Unit .....	4-18
B. Control Panel .....	4-5	B. Blank Exposure Unit .....	4-19
C. Copyboard Cover .....	4-5	V. CORONA SYSTEM .....	4-21
D. Fans .....	4-5	A. Drum Unit .....	4-21
II. DRIVE SYSTEM .....	4-7	B. Primary and Transfer Corona Units .....	4-22
A. Lens Drive Unit .....	4-7	VI. DEVELOPMENT SYSTEM .....	4-25
B. Scanner Drive Unit .....	4-9	A. Developing Assembly .....	4-25
C. Main Motor Unit .....	4-12	VII. FIXING SYSTEM .....	4-28
III. FEEDSYSTEM .....	4-13	A. Fixing Assembly .....	4-28
A. Pick-Up Unit .....	4-13		
B. Feeder Unit .....	4-16		

## CHAPTER 5 INSTALLATION

I. LOCATION .....	5-1	E. Checking the Image .....	5-7
II. UNPACKING AND INSTALLING THE COPIER .....	5-2	III. SETTING THE CASSETTE SIZE .....	5-8
A. Unpacking .....	5-2	IV. SETTING THE CT UNIT .....	5-13
B. Mounting the Drum .....	5-4a	V. RELOCATING THE COPIER .....	5-14
C. Checking the Operation .....	5-5	VI. SETTING CONTROL CARD V .....	5-15
D. Adding Toner .....	5-6	VII. ATTACHING THE DOCUMENT HOLDER .....	5-17

## CHAPTER 6 MAINTENANCE AND SERVICING

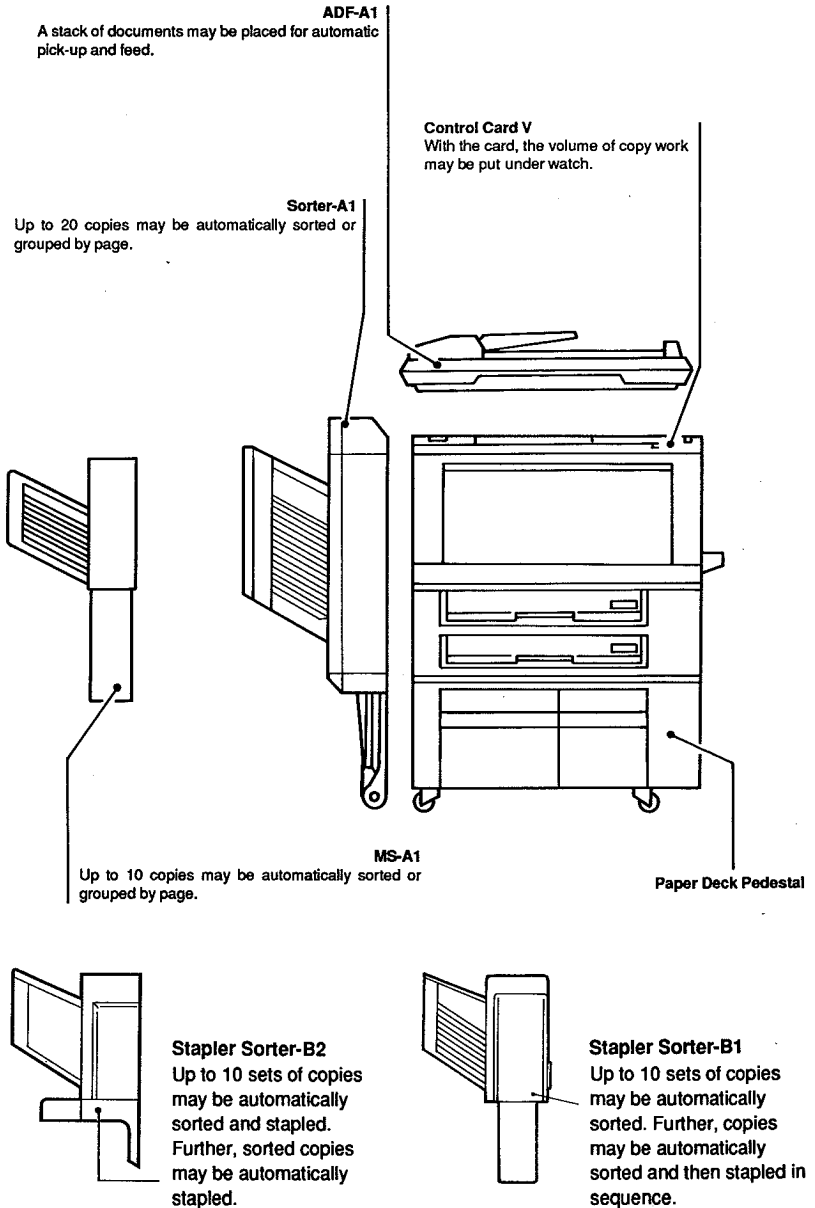
I. PERIODICALLY REPLACED PARTS .....	6-1	III. PERIODICAL SERVICING .....	6-3
II. CONSUMABLES .....	6-2	IV. PERIODICAL SERVICING CHART .....	6-4

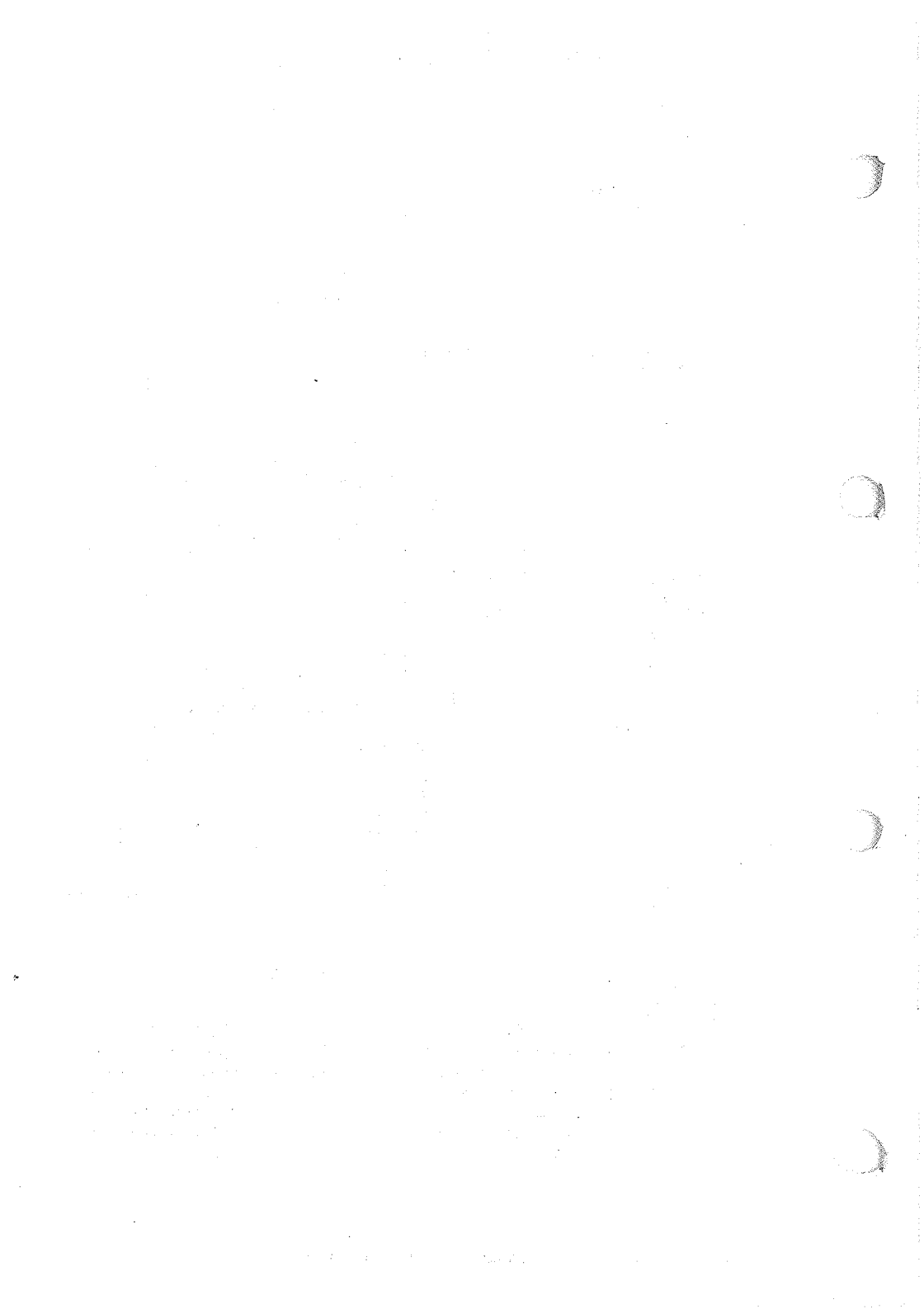
## APPENDIX

1. GENERAL TIMING CHART .....	A-1	8. DC POWER SUPPLY FOR OPTIONS ..	A-27
2. SIGNALS AND ABBREVIATIONS .....	A-3	9. ADJUSTING PCB .....	A-28
3. GENERAL CIRCUIT DIAGRAM .....	A-5	10. PRE-EXPOSURE LAMP .....	A-29
4. WIRING DIAGRAM .....	A-6	11. AE SENSOR .....	A-30
5. DC CONTROLLER PCB .....	A-11	12. HVT .....	A-31
6. MOTOR DRIVE PCB .....	A-25	13. LIST OF SPECIAL TOOLS .....	A-33
7. DC POWER SUPPLY PCB .....	A-26	14. LIST OF SOLVENT AND MATERIAL .....	A-34

# System Configuration

The NP2120/2020 is designed to accommodate the following for fully automated copy work:





---

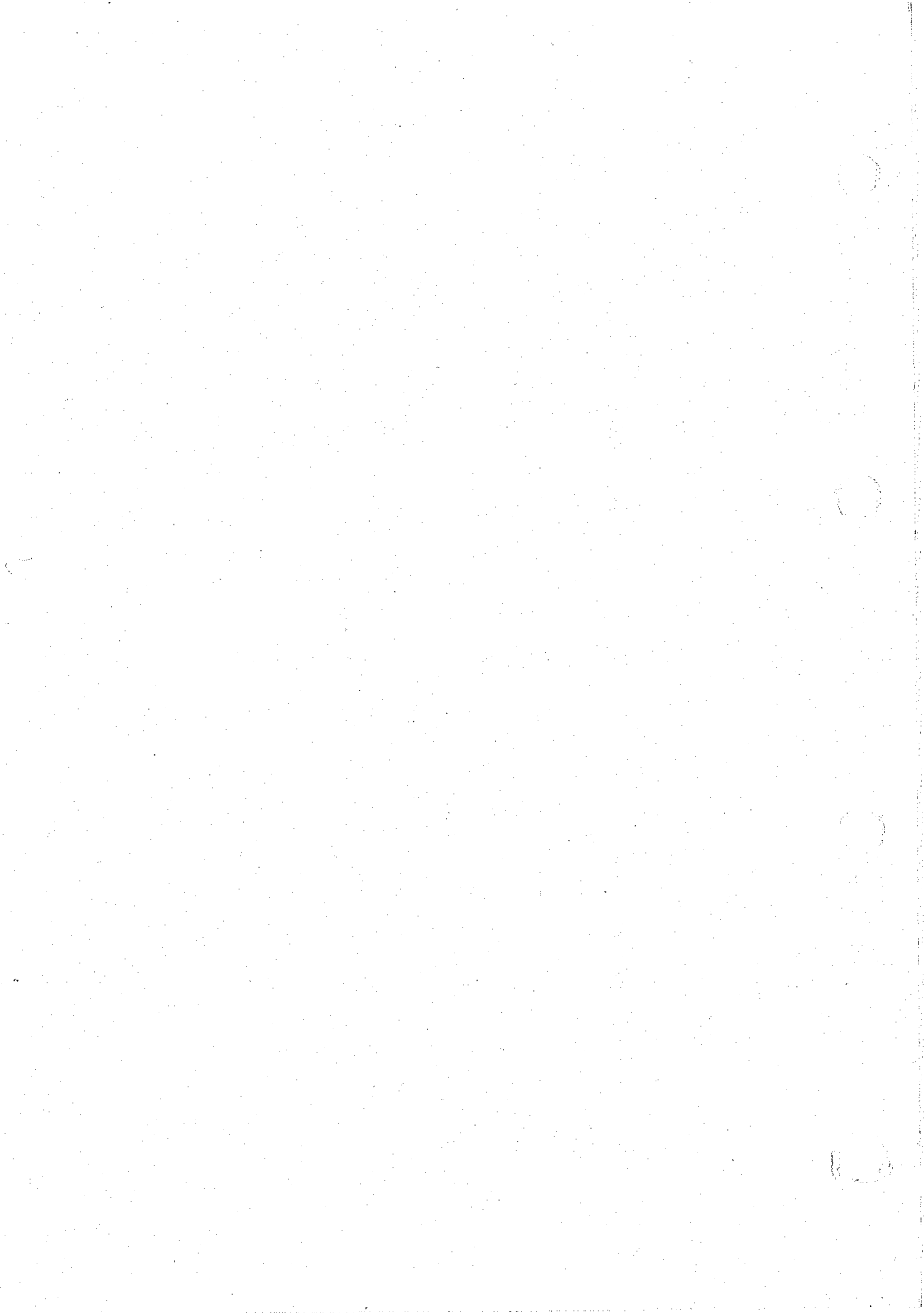
# CHAPTER 1

---

## GENERAL DESCRIPTION

---

I. FEATURES.....	1-1	V. WARNINGS AND ACTIONS	
II. SPECIFICATIONS .....	1-2	TO TAKE .....	1-12
III. NAMES OF PARTS .....	1-7	VI. ROUTINE WORK BY THE USER .....	1-14
IV. OPERATION.....	1-9		



# I. FEATURES

## 1. Front-loading.

- The copier is designed to accept cassettes from the front for ease of use (two cassettes holding 250 sheets each).
- The copier is given two cassette holders, thereby eliminating the need for cassette replacement in making copies of different sizes.
- The copier's multifeeders allow you to feed multiple postcards (NP2120).

## 2. Full line of auto mechanisms.

- The copier has an auto paper selection mechanism as standard, which selects paper of the correct size in response to placement of a document.
- With the auto reproduction ratio selection mechanism, the copier calculates the correct reproduction ratio according to the specified copy size.
- The AE (auto exposure) mechanism ensures crisp reproduction of newspapers and blue-print documents.
- The copier's auto-start feature lets you press the COPY START key during the wait period so that the copier will start making copies as soon as it becomes ready (NP2120).

## 3. HQ jumping toner.

- The copier uses Canon's own HQ (high quality) jumping toner for reproduction of clear characters and photos.
- The toner is of a single-component type, which provides stable images.
- In addition, a 30-dia. high sensitivity OPC drum is used to enable enhanced image reproduction and a compact copier design.

## 4. Man-machine interface.

- As many as 20 copies (LETTER, landscape) may be made per minute.
- The zoom mechanism allows reduction down to 50% and enlargement up to 200% of the original image.
- The page separation mode serves to speed up copying book-form documents.
- The copier accepts documents as small as a postcard or as large as 11"x17".
- With the CT unit (option), the copies may be in red, green, blue, or brown.

## 5. A variety of options to choose from for full automation.

The copier communicates with its options at a higher speed than ever, resulting in more output per giventime\*.

\* With options, up to 20 copies/min; 1:1 (LETTER, landscape).

- ADF-A1 for automatic document feed.
- Sorter-A1 for automatic sorting and grouping (20 bins).
- MS-A1 for automatic sorting and grouping (10bins).
- Control Card V (configured as built-in) for copy volume control (up to 200 depts.).
- Stapler Sorter 10-B1 for stapling copies sorted in its ten bins.

## II. SPECIFICATIONS

### A. Type

Body	Desk top
Copyboard	Fixed
Light source	Halogen lamp 100/115V model ... 300W 220/240V model ... 330W
Lens	Zoom lens
Photosensitive medium	OPC

### B. Construction

Copying	Indirect static photocopying	
Charging	Corona	
Exposure	Slit (moving light source)	
Copy density adjustment	Automatic (AE) or manual	
Development	Dry	
Pick-up	Automatic	2 cassettes; multifeed (NP2120)
	Manual	Manual feed tray (NP2020)
Transfer	Corona	
Separation	Curvature and Static eliminator	
Cleaning	Blade	
Fixing	Heat roller (900 W)	

## C. Performance

Document type	Sheet, Book, 3-D object (2 kg/4.4 lb max.)	
Document size (max.)	A3 (297X420 mm)/LDG (11"X17")	
Reproduction ratio	See Table 1-1; 50% to 200%, zoom.	
Wait time	90 sec or less (20°C/68°F)	
First copy	9 sec or less	
Continuous copying	1 to 99 copies	
Copy size	A3/LDG (297 × 431.8 mm) max. (11 in × 17 in) Postcard (100 × 148 mm) min. (3.9 in × 5.8 in)	
Copy paper	Cassette	Plain paper (64 to 80 g/m <sup>2</sup> ), Tracing paper (SM1), Colored paper
	Manual feed tray	Plain paper (64 to 128 g/m <sup>2</sup> ), Tracing paper (SM1, GNT80*), Colored paper, OHP film, Postcard, Label * NP2020 only.
		Tow-sided Overlay copy
Cassette	Claws, Front loading; 250 sheets (approx.) of 80 g/m <sup>2</sup>	
Copy tray	99 sheets (80 g/m <sup>2</sup> )	
Non-image width	2.0 mm/0.08 in (leading edge), 2.5 mm/0.1 in (left/right)	
Auto clear mechanism	Provided. (2 min, standard; may be disabled)	
Auto shut-off mechanism	Not provided.	
Auto start	NP2120 only.	
Option	Sorter-A1, MS-A1, Paper Deck Pedestal, Control Card V, CT Unit, Stapler Sorter-B1, Stapler Sorter-B2	

## D. Others

		NP2120	NP2020
Operating environment	Temperature	7.5°C to 30°C (45.5°F to 86°F)	
	Humidity	10% to 80%	
	Atmospheric pressure	0.6 to 1 atm.	
Power source		Serial No.	
	115V/60 Hz	NRNXXXXX, NRPXXXXX	CXJXXXXX, CZXXXXXX, CZWXXXXX, HXJXXXXX, NBMXXXXX
Power consumption	Max.	1.5 kW	
	During copying	0.804kWH (reference only)	
	At standby	0.156kWH (reference only)	
Noise	During copying	50 dB or less (1 m from copier)	
	At standby	40 dB or less (1 m from copier)	
Ozone (average over 8 hrs.)		0.1 ppm or less	
Dimensions	Width	725 mm (28.5 in)	660 mm (26.0 in)
	Depth	617 mm (24.3 in)	
	Height	538 mm (21.2 in)	
Weight		60.5 kg (133.4 lb)	
Consumables	Copy paper	Keep wrapped to protect against humidity.	
	Toner	Avoid direct sun, and keep under 40°C/104°F, 85%.	
	CT unit	Keep in box or pedestal; avoid direct sun, and keep it under 30°C/86°F, 85%.	

	DIRECT	REDUCE	ENLARGE
100/220/240 V	1 : 1 ( $\pm 0.5\%$ )	1 : 0.500 ( $\pm 1.0\%$ ) 1 : 0.700 ( $\pm 1.0\%$ ) 1 : 0.816 ( $\pm 1.0\%$ ) 1 : 0.865 ( $\pm 1.0\%$ )	1 : 1.154 ( $\pm 1.0\%$ ) 1 : 1.224 ( $\pm 1.0\%$ ) 1 : 1.414 ( $\pm 1.0\%$ ) 1 : 2.000 ( $\pm 1.0\%$ )
115V	1 : 1 ( $\pm 0.5\%$ )	1 : 0.500 ( $\pm 1.0\%$ ) 1 : 0.647 ( $\pm 1.0\%$ ) 1 : 0.773 ( $\pm 1.0\%$ ) 1 : 0.786 ( $\pm 1.0\%$ )	1 : 1.214 ( $\pm 1.0\%$ ) 1 : 1.294 ( $\pm 1.0\%$ ) 1 : 2.000 ( $\pm 1.0\%$ )
220/240 V	1 : 1 ( $\pm 0.5\%$ )	1 : 0.500 ( $\pm 1.0\%$ ) 1 : 0.707 ( $\pm 1.0\%$ )	1 : 1.414 ( $\pm 1.0\%$ ) 1 : 2.000 ( $\pm 1.0\%$ )

Table 1-1 Fixed Reproduction Ratio

Reproduction ratio		Copy size	No. of copies/min
DIRECT	1 : 1 ( $\pm 0.5\%$ )	A3	11
		A4	21
		A4R	16
		B4	13
		B5	21
		B5R	17
		Ledger	11
		Legal	13
		Letter	20
		Letter R	16
REDUCE	1 : 0.647	Ledger $\rightarrow$ Letter R	15
	1 : 0.707	A3 $\rightarrow$ A4 R B4 $\rightarrow$ B5R	14 17
	1 : 0.773	Ledger $\rightarrow$ Legal	13
	1 : 0.786	Legal $\rightarrow$ Letter R	16
	1 : 0.816	B4 $\rightarrow$ A4R	15
	1 : 0.865	A3 $\rightarrow$ B4 A4 $\rightarrow$ B5	13 18
ENLARGE	1 : 1.414	A4R $\rightarrow$ A3 B5R $\rightarrow$ B4	11 13
	1 : 1.294	Letter $\rightarrow$ Ledger	11
	1 : 1.224	A4RI $\rightarrow$ B4	13
	1 : 1.214	Legal $\rightarrow$ Ledger	11
	1 : 1.154	B4 $\rightarrow$ A3 B5 $\rightarrow$ A4	11 18

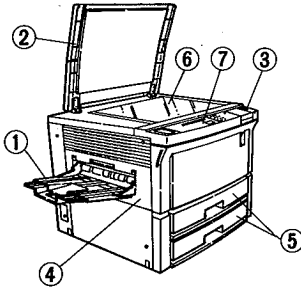
Table 1-2 Copy Speed

Paper size	Dimensions	
	(mm)	(in)
A3	297 × 420	11.7 × 16.5
A4	210 × 297	8.3 × 11.7
A5	148.5 × 210	11.7 × 16.5
B4	357 × 364	10.1 × 14.3
B5	182 × 257	7.2 × 10.1
B6	128.5 × 182	5.1 × 7.2
Ledger (11" × 17")	279.4 × 431.8	11 × 17
Legal	216 × 356	8.5 × 14
Letter	216 × 279	8.5 × 11
Mini (STMT)	139.5 × 216	5.5 × 8.5
Korean Legal	190 × 265	7.5 × 10.4
Folio	210 × 330	8.3 × 13
Foolscap	216 × 330	8.5 × 13
Australian Foolscap	206 × 337	8.1 × 13.3
Argentine Legal	220 × 340	8.7 × 13.4
Argentine Letter	220 × 280	8.7 × 11.0
U.S. Government Legal	203 × 330	8 × 13
U.S. Government Letter	203 × 267	8 × 10.5
Officio	216 × 317	8.5 × 12.5
Argentine Officio	220 × 340	8.7 × 13.4
Ecuadoran Officio	220 × 320	8.7 × 12.6
Bolivian Officio	216 × 355	8.5 × 14.0

Table 1-3 Paper Size

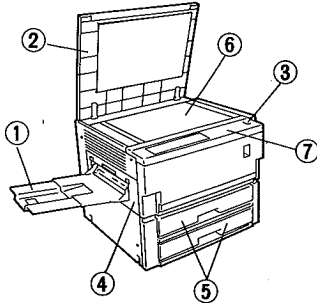
### III. NAMES OF PARTS

#### A. External View



NP2020

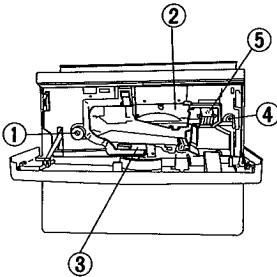
- ① Copy tray
- ② Copyboard cover
- ③ POWER switch
- ④ Delivery unit cover



NP2120

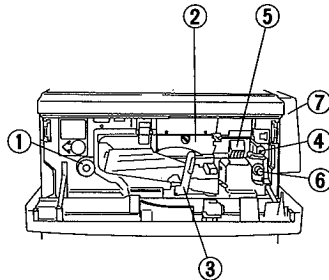
- ⑤ Cassette
- ⑥ Copyboard glass
- ⑦ Control panel

Figure 1-1



NP2020

- ① Fixing assembly knob
- ② Drum unit
- ③ Delivery unit release lever
- ④ Developing assembly release lever



NP2120

- ⑤ Developing assembly
- ⑥ Registration knob (NP2120)
- ⑦ Multiffeeder (NP2120)

Figure 1-2

## B. Cross-Sectional View

### 1. NP2020

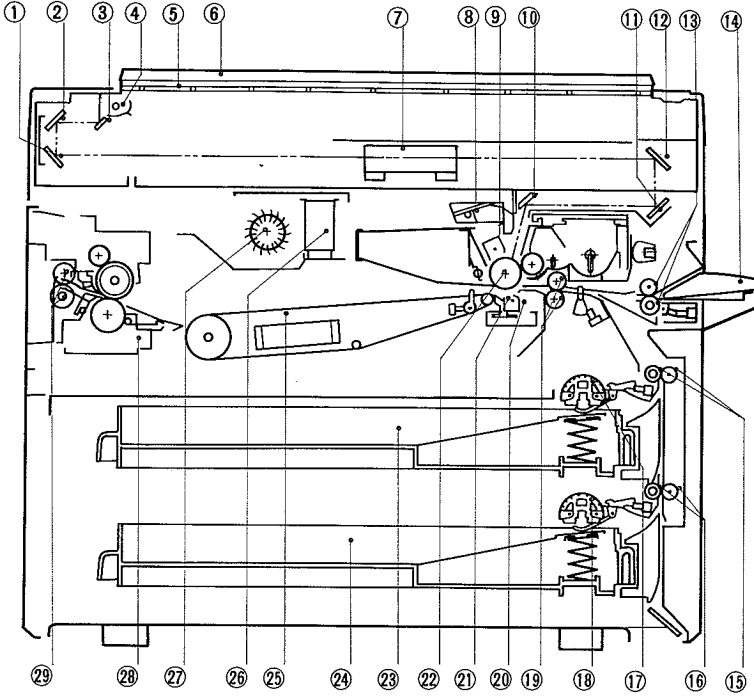


Figure 1-3

- |                       |                              |                       |
|-----------------------|------------------------------|-----------------------|
| ① No. 3 mirror        | ⑪ No. 5 mirror               | ⑳ Static eliminator   |
| ② No. 2 mirror        | ⑫ No. 4 mirror               | ㉑ Photosensitive drum |
| ③ No. 1 mirror        | ⑬ Manual feed pick-up roller | ㉒ Cassette 1          |
| ④ Scanning lamp       | ⑭ Manual feed tray           | ㉓ Cassette 2          |
| ⑤ Copyboard glass     | ⑮ Vertical feed roller 1     | ㉔ Feeder unit         |
| ⑥ Copyboard cover     | ⑯ Vertical feed roller 2     | ㉕ Ozone filter        |
| ⑦ Lens                | ⑰ Cassette 1 pick-up roller  | ㉖ Exhaust fan         |
| ⑧ Pre-exposure lamp   | ⑱ Cassette 2 pick-up roller  | ㉗ Fixing unit         |
| ⑨ Primary corona unit | ㉘ Registration roller        | ㉙ Delivery roller     |
| ⑩ No. 6 mirror        | ㉚ Transfer corona unit       |                       |

## 2. NP2120

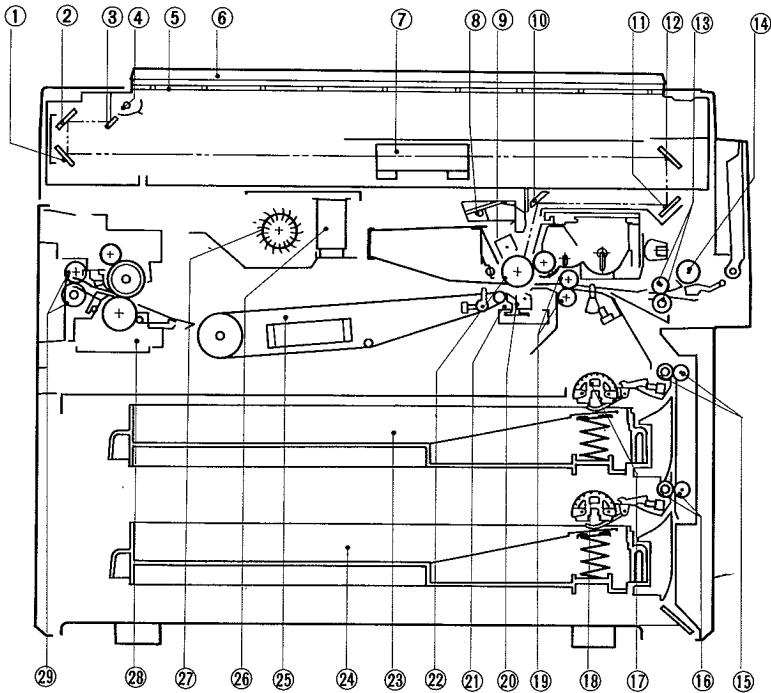
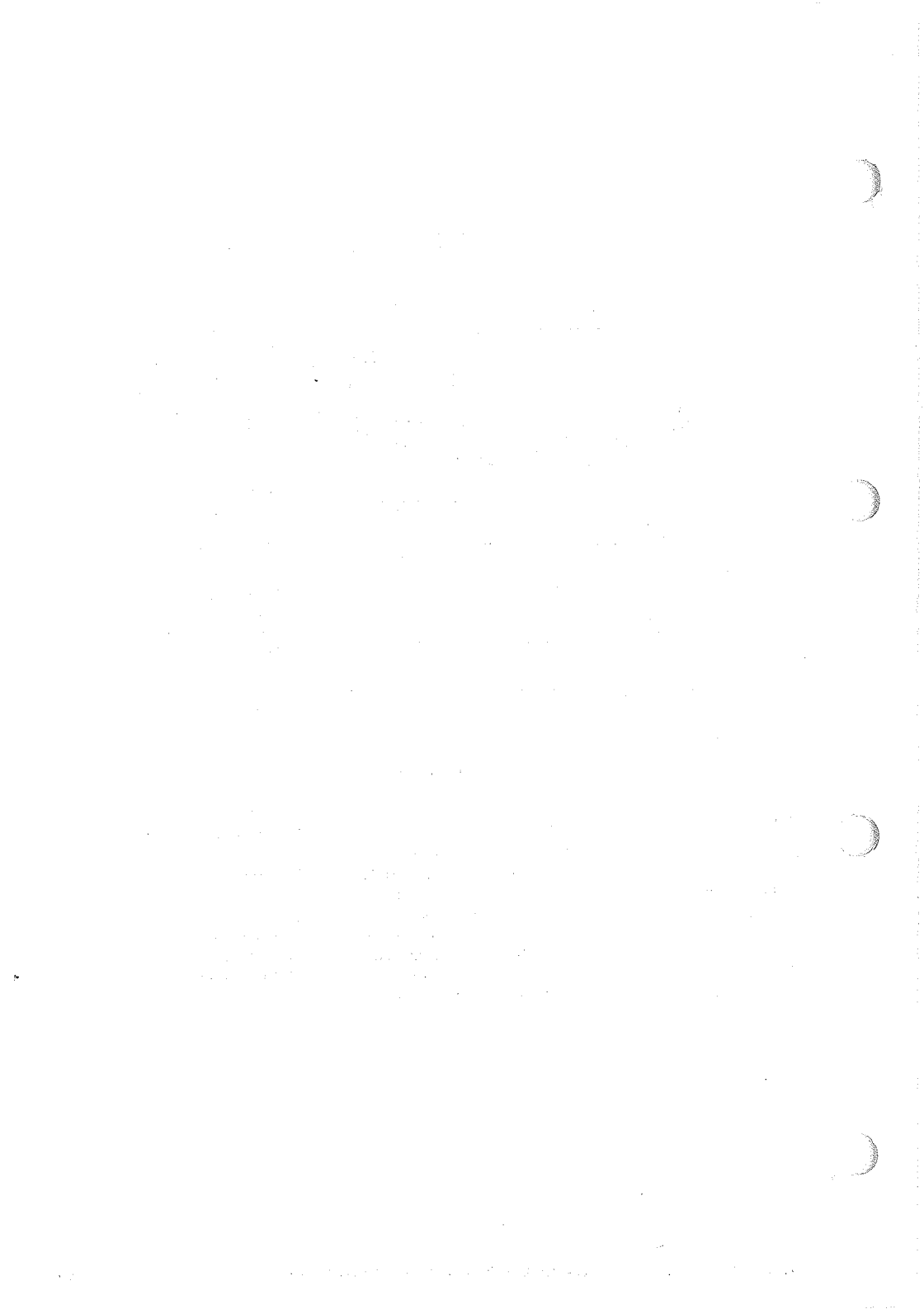


Figure 1-3 a

- |                       |                              |                       |
|-----------------------|------------------------------|-----------------------|
| ① No. 3 mirror        | ⑪ No. 5 mirror               | ⑳ Static eliminator   |
| ② No. 2 mirror        | ⑫ No. 4 mirror               | ㉑ Photosensitive drum |
| ③ No. 1 mirror        | ⑬ Manual feed roller         | ㉒ Cassette 1          |
| ④ Scanning lamp       | ⑭ Manual feed pick-up roller | ㉓ Cassette 2          |
| ⑤ Copyboard glass     | ⑮ Vertical feed roller 1     | ㉔ Feeder unit         |
| ⑥ Copyboard cover     | ⑯ Vertical feed roller 2     | ㉕ Ozone filter        |
| ⑦ Lens                | ⑰ Cassette 1 pick-up roller  | ㉖ Exhaust fan         |
| ⑧ Pre-exposure lamp   | ⑱ Cassette 2 pick-up roller  | ㉗ Fixing unit         |
| ⑨ Primary corona unit | ㉘ Registration roller        | ㉙ Delivery roller     |
| ⑩ No. 6 mirror        | ㉚ Transfer corona unit       |                       |



## IV. OPERATION

### A. Control Panel

#### 1. NP2020

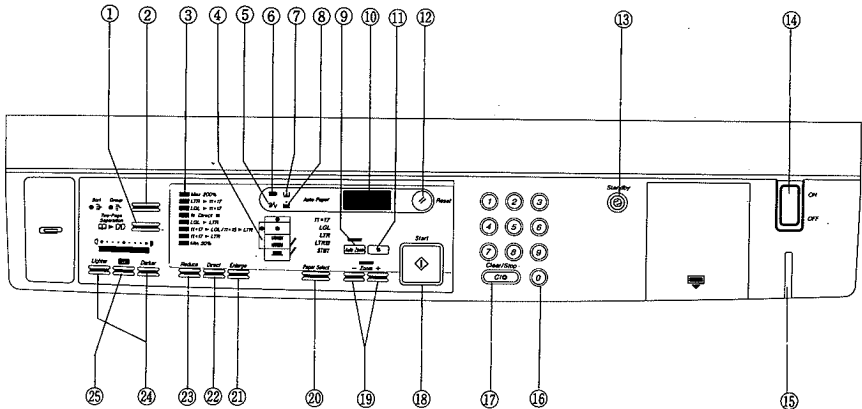


Figure 1-4

- ① **PAGE SEPARATION key**  
Press the key to select the page separation mode.
- ② **SORT/GROUP key**  
Press the key to select the SORT/GROUP/NON-SORT mode; when the indicator is OFF, the non-sort mode is selected.
- ③ **FIXED RATIO indicator**
- ④ **JAM location indicator**
- ⑤ **JAM indicator**
- ⑥ **CONTROL CARD indicator**
- ⑦ **ADD TONER indicator**
- ⑧ **ADD PAPER indicator**
- ⑨ **AUTO RATIO key**  
Press the key to select the auto reproduction mode; effective only when an ADF is attached.
- ⑩ **COPY COUNT indicator**
- A press on the % key indicates the reproduction ratio (%).
  - The count decreases for each copy made.
- ⑪ **% key**  
Hold down the key to check the reproduction ratio shown on the COPY COUNT indicator; the indication goes OFF 2 sec after the key is released.
- ⑫ **RESET key**  
Press the key to return to the standard mode:
- |                    |          |
|--------------------|----------|
| • Copy count ..... | 1        |
| • Ratio .....      | DIRECT   |
| • Mode .....       | NON-SORT |
| • AE .....         | OFF      |
- ⑬ **PRE-HEAT key**  
A press on the key in the standby mode activates the pre-heat mode.
- All LEDs except the PRE-HEAT indicator and POWER indicator will go OFF.
  - The fixing temperature will be controlled at 140°C/284°F.
- ⑭ **POWER switch**
- ⑮ **POWER indicator**  
The indicator remains ON when the POWER switch is ON.
- ⑯ **TENKEY pad**
- ⑰ **CLEAR/STOP key**
- ⑱ **COPY START key**
- If red, no copy can be made.
  - If green, copies may be made.
- ⑲ **ZOOM key**  
Press the key to select the desired reproduction ratio between 50% and 200% in 1% increment.
- ⑳ **CASSETTE SELECT key**
- ㉑ **FIXED ENLARGEMENT key**
- ㉒ **DIRECT key**
- ㉓ **FIXED REDUCE key**
- ㉔ **COPY DENSITY key**
- ㉕ **AE key (automatic exposure control)**
- ㉖ **COPY DENSITY key**
- ㉗ **AE key (automatic density adjustment)**

## 2. NP2120

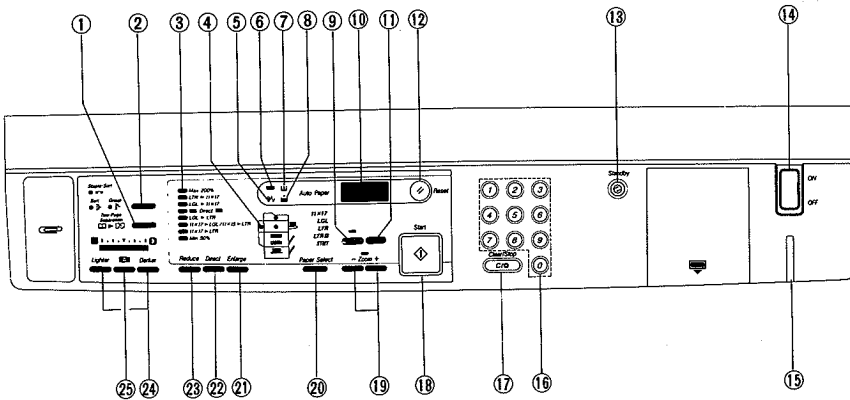


Figure 1-4a

- ① **PAGE SEPARATION key**  
Press the key to select the page separation mode.
- ② **SORT/GROUP/STAPLE SORT key**  
Press the key to select the sort, group, staple sort, or non-sort mode.  
The copier is in the non-sort mode when the indicator is OFF.
- ③ **FIXED RATIO indicator**
- ④ **JAM location indicator**
- ⑤ **JAM indicator**
- ⑥ **CONTROL CARD indicator**
- ⑦ **ADD TONER indicator**
- ⑧ **AUTO ZOOM key**  
Press the key to select the auto zoom feature.
- ⑩ **COPY COUNT indicator**
  - indicates the ratio when the % key is pressed.
  - incremented for each copy during copy operation.
- ⑪ **% key**  
Hold down the key to change the COPY COUNT indicator notation from ratio to copy count.  
Upon release, the notation is replaced by the copy count in 2 sec.
- ⑫ **RESET key**  
Press the key to return to the standard mode: copy count 1, DIRECT, non-sort, AE (may be deactivated).
- ⑬ **PREHEAT key**  
Press the key during the standby period to choose the preheat mode.
  - All LEDs except the PREHEAT and POWER indicators on the control panel go OFF.
- ⑭ **POWER switch**
- ⑮ **POWER indicator**  
The indicator remains ON when the POWER switch is ON.
- ⑯ **TENKEY pad**
- ⑰ **CLEAR/STOP key**
- ⑱ **COPY START key**
  - when it flashes green, you cannot make copies.
  - when it remains green, you can make copies.
  - it remains red during copy operation.
- ⑲ **ZOOM key**  
Press the key when selecting a reproduction ratio between 50% and 200% in 1% increments.
- ⑳ **CASSETTE SELECT key**
- ㉑ **ENLARGE key**
- ㉒ **DIRECT key**
- ㉓ **REDUCE key**
- ㉔ **COPY DENSITY key**
- ㉕ **AE key (automatic density adjustment)**



## B. Making Copies

- 1) Turn the POWER switch ON.
  - ① If the temperature of the fixing assembly is below the specified value,
    - NP2020  
The COPY START key remains red.
    - NP2120  
The COPY START key flashes green.
  - ② If the temperature of the fixing assembly is above the specified value, the COPY START key goes green.
  - ③ The wait time is normally 90 sec (20°C, average).
- 2) Open the copyboard cover, and place a document face down aligning it with the size index.
- 3) Press the DIRECT, REDUCE, ENLARGE, or ZOOM key for the desired copy size.
- 4) Press the AE key, and press the COPY DENSITY key as necessary if manual adjustment is desired.
- 5) Check the size of the cassette.
  - ① Replace the cassette if it does not contain paper of the desired size.
- 6) Press the TENKEY pad to set the desired number of copies (1 to 99), and check the COPY COUNT indicator.
  - ① Press the CLEAR/STOP key to correct any mistake; set the copy count thereafter.
- 7) Press the COPY START key.
  - ① If the CLEAR/STOP key is pressed in the continuous copy operation, the copier stops after it has completed the copy run.
  - ② The adjustment mode for density may be switched from automatic to manual between when the operation is started and when the last copy is completed; however, switching from manual to automatic is not possible during the period.

### Note:

If the copy is too dark or light in the AE mode, de-activate the AE mode, and make copies while varying the density using the COPY DENSITY key.

- ③ If the ADD PAPER indicator comes ON during copy operation and the operation stops, add paper to the cassette; a press on the COPY START key thereafter causes the copier to make the remaining number of copies.
- ④ If an ADF is attached to the copier, documents placed on the tray will be automatically picked up and copied when the COPY START key is pressed.

- ⑤ After each copy operation or a key operation, the copier returns to the standard mode if left alone for about 2 min\*.  
\*Cannot be changed, but may be de-activated.

## C. Using the Manual Feed Tray (NP2020)

- 1) Set a document on the copyboard.
- 2) Press the DIRECT, REDUCE, ENLARGE, or ZOOM key.
- 3) De-activate the AE mode, and adjust the density using the COPY DENSITY lever if manual adjustment is desired.
- 4) Feed a sheet of copy paper along the guides on the manual tray.
  - ① The copier automatically starts copying as soon as it detects the copy paper.
  - ② Make sure sheets are fed at intervals of 50 mm or more if in the continuous copy mode.

### Note:

When the ADD PAPER indicator is ON, the COPY READY indicator is red; manual feed operation, however, is still possible.

## D. Using the Manual Feed Tray (NP2120)

- 1) Set the document on the copyboard.
- 2) Open the manual feed tray.
- 3) Set the slide guide to suit the paper size.

### Note:

Slide out the sub tray as necessary to suit larger paper sizes.

- 4) Insert as many sheets as necessary along the guide until they stop; keep the face of the copy paper up.

## E. Making Two-Sided Copies

Make sure that the copy is oriented the same way (front and rear) for both first and second sides; keep the following in mind:

- ① Check the paper is not moist or curled;
- ② Check the paper is of 64 to 128 g/m<sup>2</sup>;

- ③ Do not process each side more than once; and
- ④ Do not use both overlay and two-sided copy modes on a single sheet of paper.

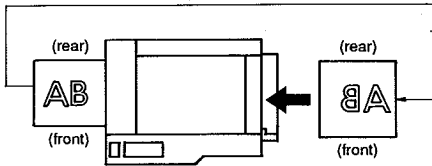


Figure 1-5

## F. Making Overlay Copies

By replacing the developing assembly, the copy may carry two colors; keep the following in mind:

- ① Check the paper is of 64 to 128 g/m<sup>2</sup>;
- ② Do not process each side more than twice; and
- ③ Do not use both overlay and two-sided copy modes on a single sheet of paper.

## G. Replacing the CT Unit

- 1) Open the front door.
- 2) Turn the developing assembly release lever counterclockwise.
- 3) Slide out the developing assembly to the front.
- 4) Hold the grip of the developing assembly, and lift the assembly slowly.

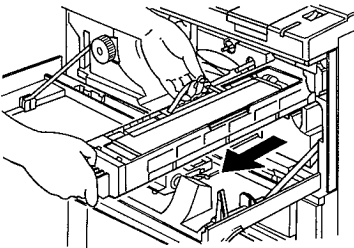


Figure 1-6

- 5) Place the CT unit on the developing assembly rail, and slide it in.
- 6) Turn the developing assembly lever clockwise.
- 7) Close the front door.

### Note:

1. Do not tilt or shake the developing assembly or CT unit.
2. Do not place the developing assembly or CT unit on the floor; rather, keep them in storage boxes.

## H. Using the COPY DENSITY CORRECTION Lever

If the copies are always dark or light, slide the lever to obtain the desired density.

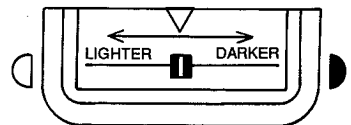
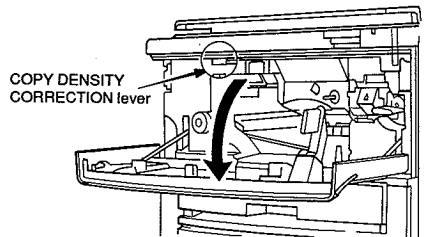


Figure 1-7 COPY DENSITY CORRECTION Lever

## I. Auto-Start (NP2120)

The START indicator goes and remains red when you press the COPY START key during warm-up, and copy operation starts as soon as warm-up is completed.

- You can press the COPY START key while the wire is being cleaned or during the jam wait period.
- You still have access to the DENSITY key, AE key, RESET key, or STOP key after activating the auto-start mode.
- To cancel the auto-start mode, press the RESET or CLEAR/STOP key.

**Note:**

The auto-start mode will automatically be canceled if the cassette has run out of paper, if the control card is not inserted, or if the right door of the cassette holder is open.

)

)

)

)

## V. WARNINGS AND ACTIONS TO TAKE

### A. JAM Indicator ( 8<sub>V</sub> )

If the indicator goes ON during copy operation, take the following steps; a jam is likely to have occurred at the location indicated.

For jams in any of the options (sorter or ADF), see the respective service manual.

NP2020

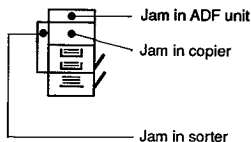


Figure 1-8

NP2120

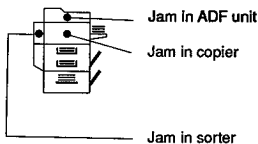


Figure 1-8 a

If the jam is in the copier, be sure to check the pick-up unit, separation unit/feeder unit, fixing assembly/delivery unit, and drum unit to remove all paper found.

- 1) Open the front door.
- 2) Remove the copies from the copy tray.
- 3) Pull the grip of the delivery unit to open the delivery unit cover.
- 4) Check if paper is jammed in the fixing assembly; if paper is found, turn the fixing assembly knob clockwise to remove it.

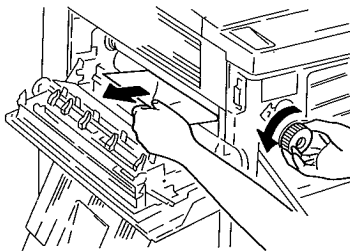


Figure 1-9

- 5) Close the delivery unit cover.
- 6) Check if paper is jammed in the separation unit/feeder unit; if paper is found, turn the feeder unit release lever counterclockwise to release the feeder unit.

Work with care.

**Note:**

When removing paper from the separation unit, take care not to touch the photosensitive drum.

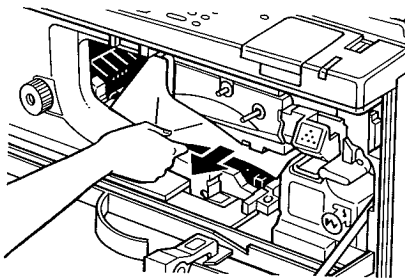


Figure 1-10

- 7) Open the right cover, and check if paper is jammed; remove the paper, if any. Further, check that no paper is sticking out of the cassette.

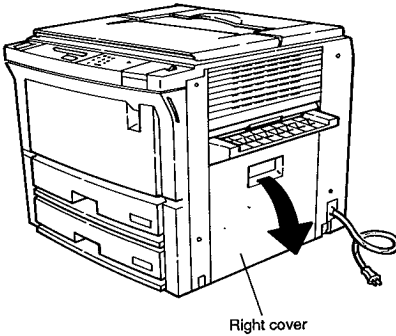


Figure 1-11

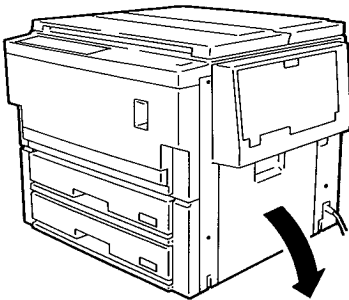


Figure 1-11a

- 8) Close the right door, and then the front door.

### 1. Using the Multifeder Tray (NP2120)

Lift the lever, and pull out the jam, taking care not to tear the paper.

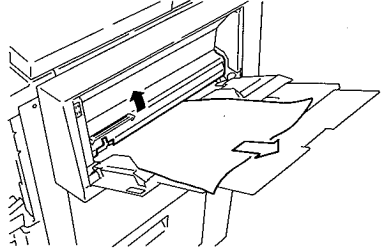


Figure 1-12a

### B. ADD PAPER Indicator ( )

The indicator goes ON if no cassette is in the cassette holder or the cassette has no paper.

- 1) Slide out the cassette to the front of the copier.
- 2) Put paper in the cassette.
- 3) Slide the cassette back into the copier.

Product: 1993 Canon NP2120/2020 Printer Service Repair Workshop Manual  
Full Download: <https://www.arepairmanual.com/downloads/1993-canon-np21202020-printer-service-repair-workshop-manual/>

Sample of manual. Download All 262 pages at:  
<https://www.arepairmanual.com/downloads/1993-canon-np21202020-printer-service-repair-workshop-manual/>