

GENERAL DESCRIPTION

Lubrication H6 Engine Service Repair Workshop Manual

Full Download: <https://www.aresairmanual.com/downloads/h6-engine-service-repair-workshop-manual/>

1. General Description S148001

A: SPECIFICATIONS S148001E49

Lubrication method		Forced lubrication	
Oil pump	Pump type	Trochoid type	
	Number of teeth	Inner rotor	9
		Outer rotor	10
	Outer rotor diameter × thickness		78 × 11 mm (3.07 × 0.43 in)
	Tip clearance between inner and outer rotors	STANDARD	0.04 — 0.14 mm (0.0016 — 0.0055 in)
		LIMIT	0.20 mm (0.0079 in)
	Side clearance between inner rotor and pump case	STANDARD	0.02 — 0.08 mm (0.0008 — 0.0031 in)
		LIMIT	0.15 mm (0.0059 in)
Case clearance between outer rotor and pump case	STANDARD	0.11 — 0.18 mm (0.0043 — 0.0071 in)	
	LIMIT	0.25 mm (0.0098 in)	
Oil filter	Type	Full-flow filter type	
	Filtration area	1,300 cm ² (201.5 sq in)	
	By-pass valve opening pressure	160 kPa (1.63 kg/cm ² , 23 psi)	
	Outer diameter × width	80 × 75 mm (3.15 × 2.95 in)	
	Oil filter to engine thread size	M 20 × 1.5	
Relief valve operation pressure		588 kPa (6 kg/cm ² , 185 psi)	
Oil pressure switch	Type	Immersed contact point type	
	Working voltage — wattage	12 V — 3.4 W or less	
	Warning light activation pressure	15 kPa (0.153 kg/cm ² , 2.2 psi)	
	Proof pressure	More than 980 kPa (9.993 kg/cm ² , 142 psi)	
Oil capacity	Total capacity	6.8 ℓ (7.2 US qt, 6.0 Imp qt)	
	Engine oil amount for refill	5.8 ℓ (6.1 US qt, 5.1 Imp qt)	

Sample manual. Download All pages at:

<https://www.aresairmanual.com/downloads/h6-engine-service-repair-workshop-manual/>

LU(H6)-2

GENERAL DESCRIPTION

Product: H6 Engine Service Repair Workshop Manual

Lubrication

MEMO: Full Download: <https://www.arepairmanual.com/downloads/h6-engine-service-repair-workshop-manual/>

Sample manual. Download All pages at:

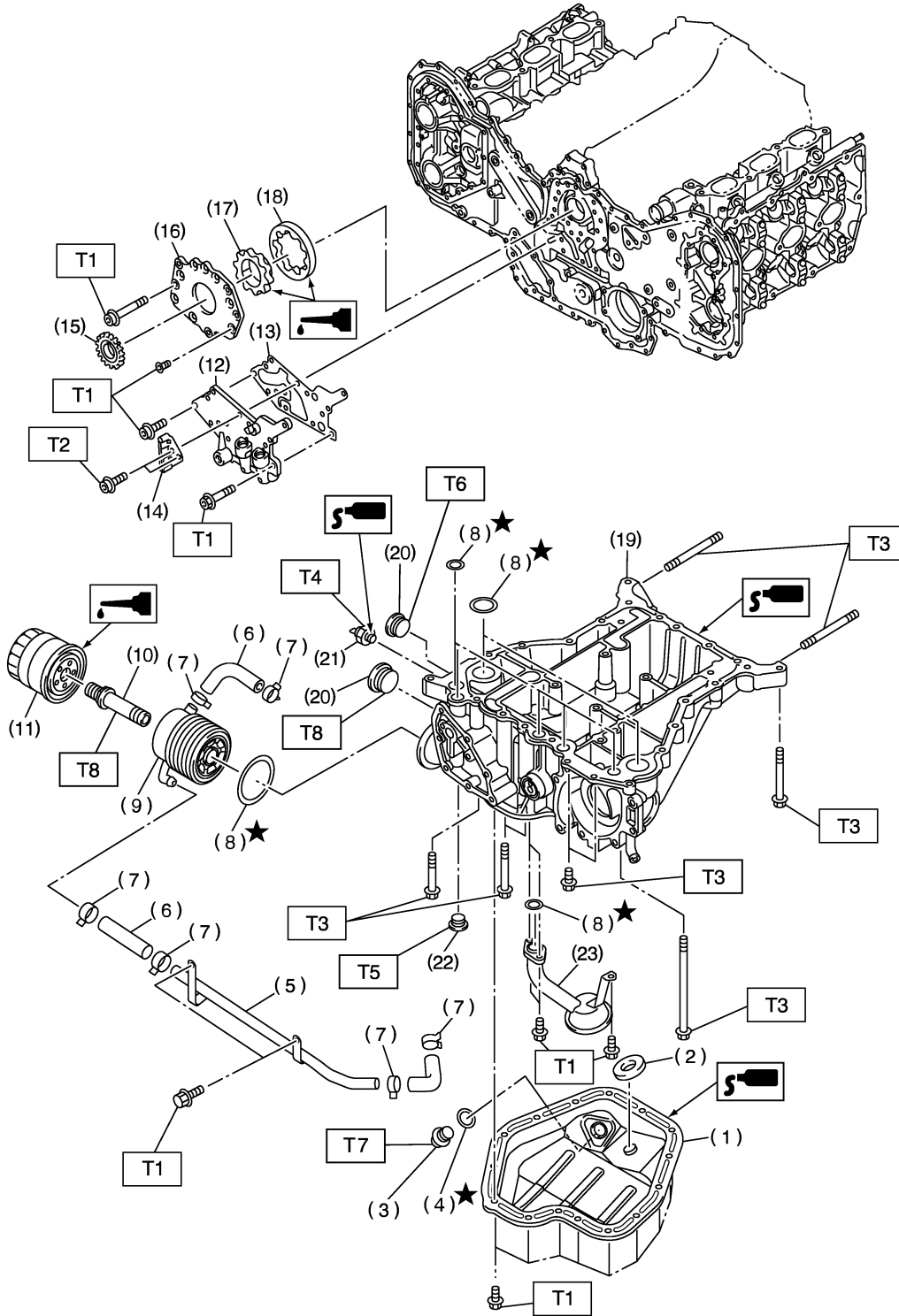
<https://www.arepairmanual.com/downloads/h6-engine-service-repair-workshop-manual/>

LU(H6)-3

GENERAL DESCRIPTION

Lubrication

B: COMPONENT S148001A05



B2M4533B

LU(H6)-4

GENERAL DESCRIPTION

Lubrication

- (1) Oil pan lower
- (2) Magnet
- (3) Drain plug
- (4) Gasket
- (5) Oil cooler pipe
- (6) Hose
- (7) Clamp
- (8) O-ring
- (9) Oil cooler
- (10) Connector
- (11) Oil filter
- (12) Relief valve case

- (13) Relief valve case gasket
- (14) Chain guide (center)
- (15) Crank sprocket
- (16) Oil pump cover
- (17) Inner rotor
- (18) Outer rotor
- (19) Oil pan upper
- (20) Plug
- (21) Oil pressure switch
- (22) Plug
- (23) Oil strainer

Tightening torque: N·m (kgf-m, ft-lb)

T1: 6.4 (0.65, 4.7)

T2: 7.8 (0.80, 5.8)

T3: 18 (1.8, 13)

T4: 25 (2.5, 18)

T5: 34 (3.5, 25)

T6: 37 (3.8, 27)

T7: 44 (4.5, 33)

T8: 54 (5.5, 40)

GENERAL DESCRIPTION

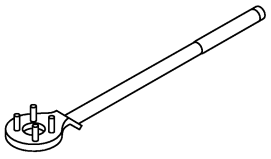
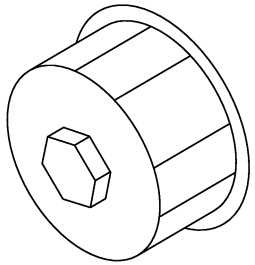
Lubrication

C: CAUTION S148001A03

- Wear working clothing, including a cap, protective goggles, and protective shoes during operation.
- Remove contamination including dirt and corrosion before removal, installation or disassembly.
- Keep the disassembled parts in order and protect them from dust or dirt.
- Before removal, installation or disassembly, be sure to clarify the failure. Avoid unnecessary removal, installation, disassembly, and replacement.

- Be careful not to burn your hands, because each part in the vehicle is hot after running.
- Be sure to tighten fasteners including bolts and nuts to the specified torque.
- Place shop jacks or safety stands at the specified points.
- Before disconnecting electrical connectors of sensors or units, be sure to disconnect ground cable from battery.

D: PREPARATION TOOL S148001A17

ILLUSTRATION	TOOL NUMBER	DESCRIPTION	REMARKS
 <p style="text-align: right;">B2M3870</p>	499977100	CRANK PULLEY WRENCH	Used for stopping rotation of crankshaft pulley when loosening and tightening crankshaft pulley bolt.
 <p style="text-align: right;">B2M3872</p>	498547000	OIL FILTER WRENCH	Used for removing and installing oil filter.

GENERAL DESCRIPTION

Product: H6 Engine Service Repair Workshop Manual

Lubrication

MEMO: Full Download: <https://www.arepairmanual.com/downloads/h6-engine-service-repair-workshop-manual/>

Sample manual. Download All pages at:

<https://www.arepairmanual.com/downloads/h6-engine-service-repair-workshop-manual/>

LU(H6)-7