

Product: 1999 Deutz F 4M1011F Engines Parts Manual

Full Download: <https://www.aresairmanual.com/downloads/1999-deutz-f-4m1011f-engines-parts-manual/>

Form No.
907764
Revision B
09/99

Deutz F 4M1011F Engines

(Before SN 0275761)

Used In:

SL5635 & SL6635 Skid Loaders



Sample of manual. Download All 96 pages at
Engine Parts Book
<https://www.aresairmanual.com/downloads/1999-deutz-f-4m1011f-engines-parts-manual/>

GEHL[®]

Product: 1999 Deutz F 4M1011F Engines Parts Manual

Full Download: <https://www.arepairmanual.com/downloads/1999-deutz-f-4m1011f>

Introduction

This manual covers F 4M 1011F engines (Gehl part number 130321) used in SL5635SX and SL5635DX skid loaders. When ordering service parts, specify the correct part number, full description, quantity required, and the engine model number and serial number (located on a plate on the valve mechanical cover). **NOTE:** This manual only covers engines **before** engine serial number 0275761.

Items shown that do not have a part number are shown for reference purposes only and are not available for purchase. Part numbers may change. Your Gehl dealer will have the latest part number.

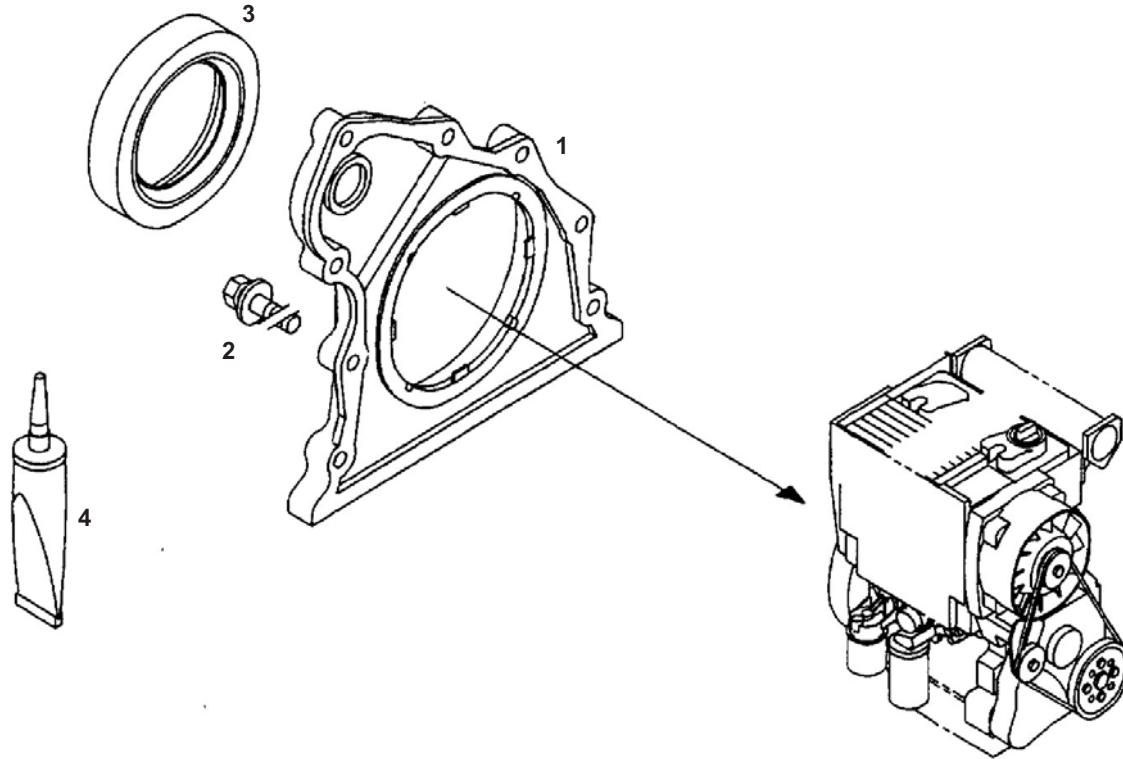
Gehl® Company reserves the right to make changes or improvements in the design or construction of any part of the unit without incurring the obligation to install such changes on any previously delivered units.

Sample of manual. Download All 66 pages at:

<https://www.arepairmanual.com/downloads/1999-deutz-f-4m1011f-engines-parts-manual/>

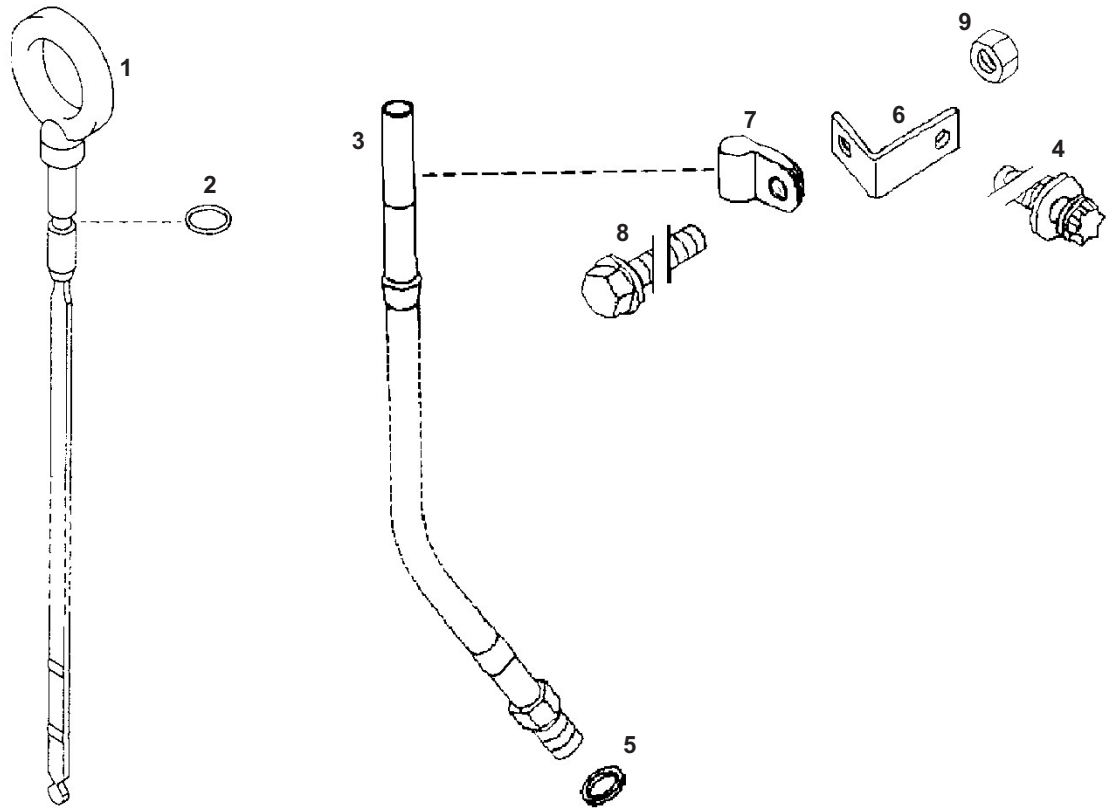
TABLE OF CONTENTS

ADAPTER HOUSING	49	FUEL LINE	37
AIR FILTER FITMENT	40	FUEL SUPPLY PUMP	32
ALTERNATOR	51	GASKET SET	59
ALTERNATOR BRACKET	52	GLOW PLUG	41
ALTERNATOR FASTENINGS	53	HEATER CONNECTION	27
CAMSHAFT	19	HIGH PRESSURE PIPE	38
CAMSHAFT DRIVE	18	INDEX	60
CAP	3	INTAKE MANIFOLD	39
CONNECTING ROD	12	LUBRICATION OIL FILTER	24
CONTROL ROD	46	LUBRICATION OIL PUMP	23
CONTROL UNIT	54	NARROW V-BELT	47
COVER PLATE	10	OIL FILTER FASTENINGS	25
CRANKCASE BREATHER	4	OIL PAN	6
CRANKSHAFT	8	OIL PRESSURE SWITCH	55
CRANKSHAFT ACCESSORIES	7	OIL SUCTION LINE	26
CYLINDER HEAD	16	OVERFLOW LINE	36
CYLINDER HEAD FASTENINGS	15	PISTON	13
DIPSTICK	2	POWER TAKE-OFF	9
ENGINE BLOCK	5	PROTECTION HOOD	20
EXHAUST MANIFOLD	57	RADIATOR CONNECTIONS	28
FAN SUPPORT	48	REAR END COVER	1
FILLER CAP	14	ROCKER ARM BRACKET	21
FILTER CARTRIDGE	30	SCREW PLUG	29
FLYWHEEL	11	SHUTDOWN DEVICE	58
FRONT BLOCK PLUGS	43	STARTER	50
FRONT COVER/GOVERNOR	44	TEMPERATURE TRANSMITTER	56
FUEL INJECTION PUMP	31	TORQUE CAPSULE	42
FUEL INJECTOR	34	VALVE DRIVE	22
		VALVE MECHANICAL COVER	17



5051009

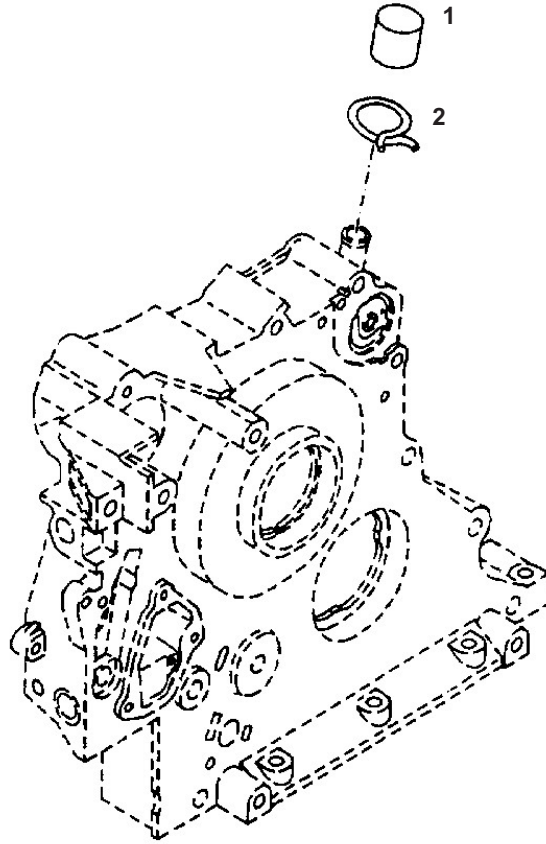
Ref No.	Part No.	Description	Quantity
1	133390	COVER/REAR END	1
2	133204	BOLT/HEX 8 X 30MM CLASS 8.8	8
3	133387	SEAL/ROTATION SHAFT LIP	1
4	133100	COMPOUND/PACKING 250 ML	1



5067762
5067789

Ref No.	Part No.	Description	Quantity
1	133257	DIPSTICK (INCLUDES ITEM 2)	1
2	133186	O-SEAL 5 1.5MM	1
3	133500	TUBE/GUIDE	1
4	133234	BOLT/TORX HEAD 8 X 20MM CLASS 8.8	1
5	133134	RING/SEALING 14 X 20MM	1
6	133494	BRACKET	1
7	133501	CLAMP/PIPE	1
8	133253	BOLT/HEX 6 X 16MM CLASS 10.9	1
9	133125	NUT/HEX 6-8MM	1

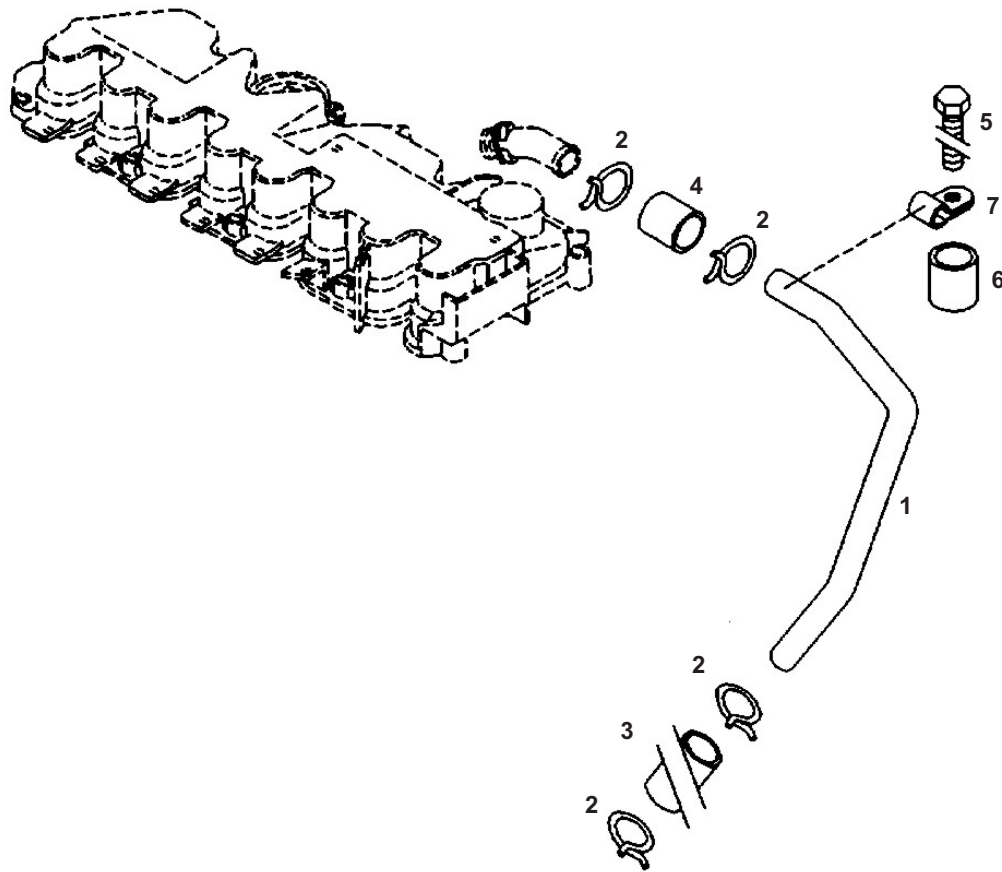
Engine Serial Number 0216607 & Later



5067706

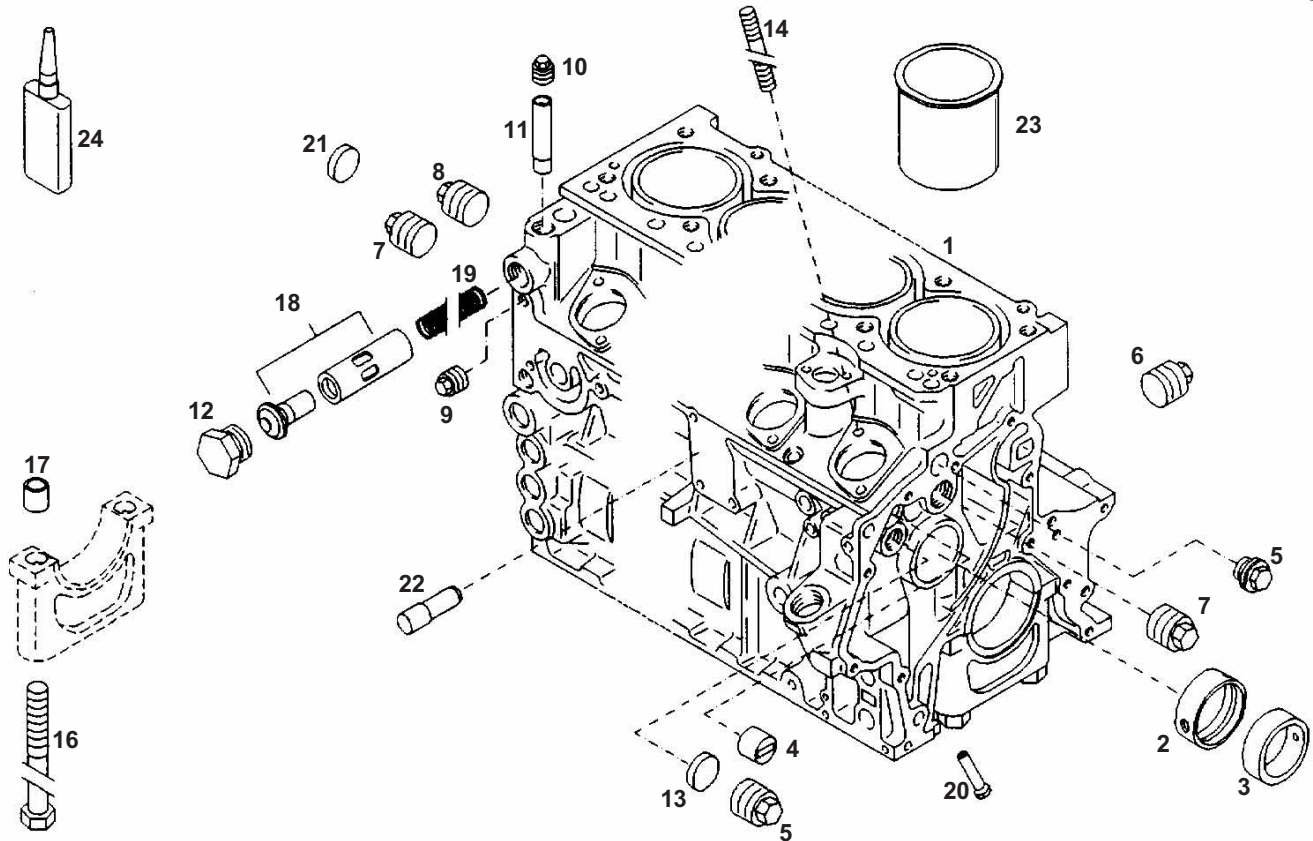
Ref No.	Part No.	Description	Quantity
1	135520	CAP	1
2	133202	CLIP/HOSE	1

Before Engine Serial Number 0216607



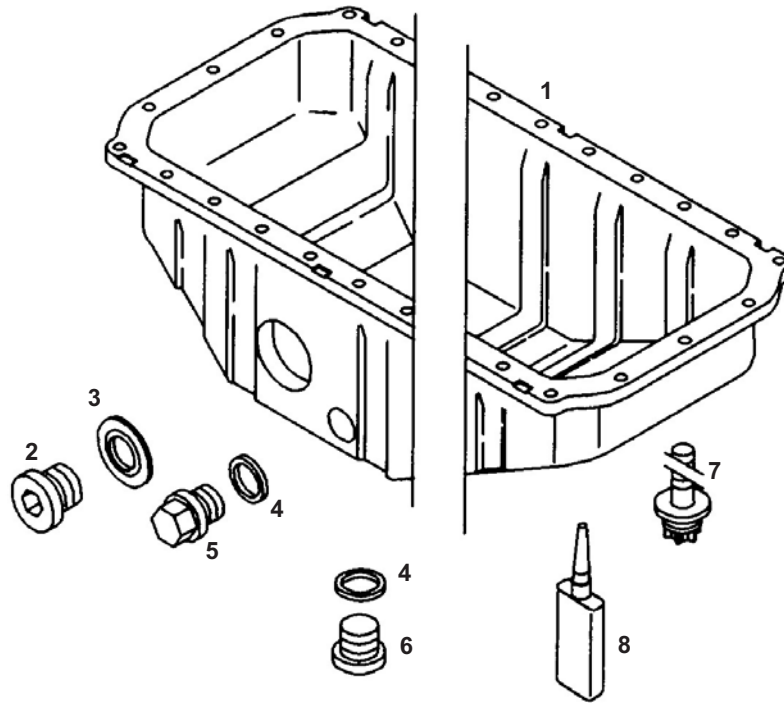
5069117

Ref No.	Part No.	Description	Quantity
1	133514	PIPE/BREATHER	1
2	133202	CLIP/HOSE	4
3	133481	HOSE (CUT TO FIT)	1 METER
4	133258	SLEEVE/RUBBER	1
5	133121	BOLT/HEX 6 X 25MM CLASS 8.8	1
6	133512	SLEEVE	1
7	133189	CLAMP/PIPE	1



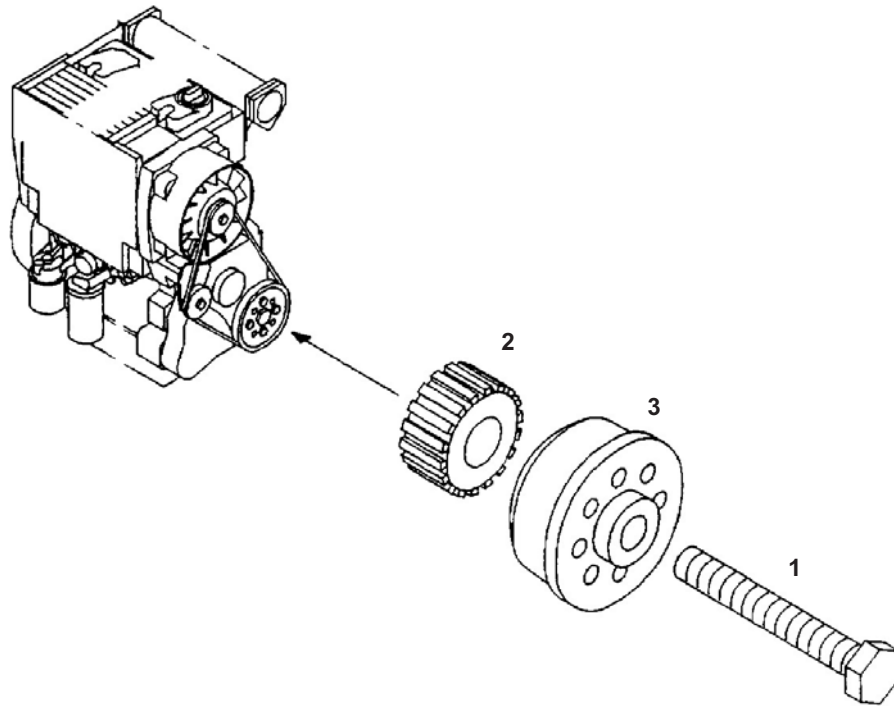
5068040

Ref No.	Part No.	Description	Quantity
1	133436	BLOCK/ENGINE (INCLUDES ITEMS 2-19)	1
2	133405	BUSHING/WRAPPED BEARING	2
3	133404	BUSHING/WRAPPED BEARING	3
4	133316	SLEEVE/GUIDE	2
5	133430	PLUG/SCREW	1
6	133536	PLUG/SCREW 12 X 1.5MM	1
7	133537	PLUG/SCREW	2
8	133538	PLUG/SCREW 14 X 1.5MM	1
9	133539	PLUG/SCREW 10 X 1MM	1
10	133540	PLUG/SCREW 20 X 1.5MM	1
11	133408	TUBE	1
12	133541	PLUG/SCREW	1
13	133166	COVER	1
14	133240	STUD 8 X 20MM CLASS 8.8	8
15	133542	PLUG/SCREW 18 X 1.5MM	2
16	133323	BOLT/HEX	10
17	133350	BUSHING	10
18	133473	THERMOSTAT (INCLUDES ITEM 19)	1
19	133411	SPRING/COMPRESSION	1
20	133417	NOZZLE/PISTON COOLING	8
21	133249	COVER	1
22	133476	PIN	1
23	133543	LINER/CYLINDER	AR
24	133107	AGENT/SAFETY LOCK 50ML	AR



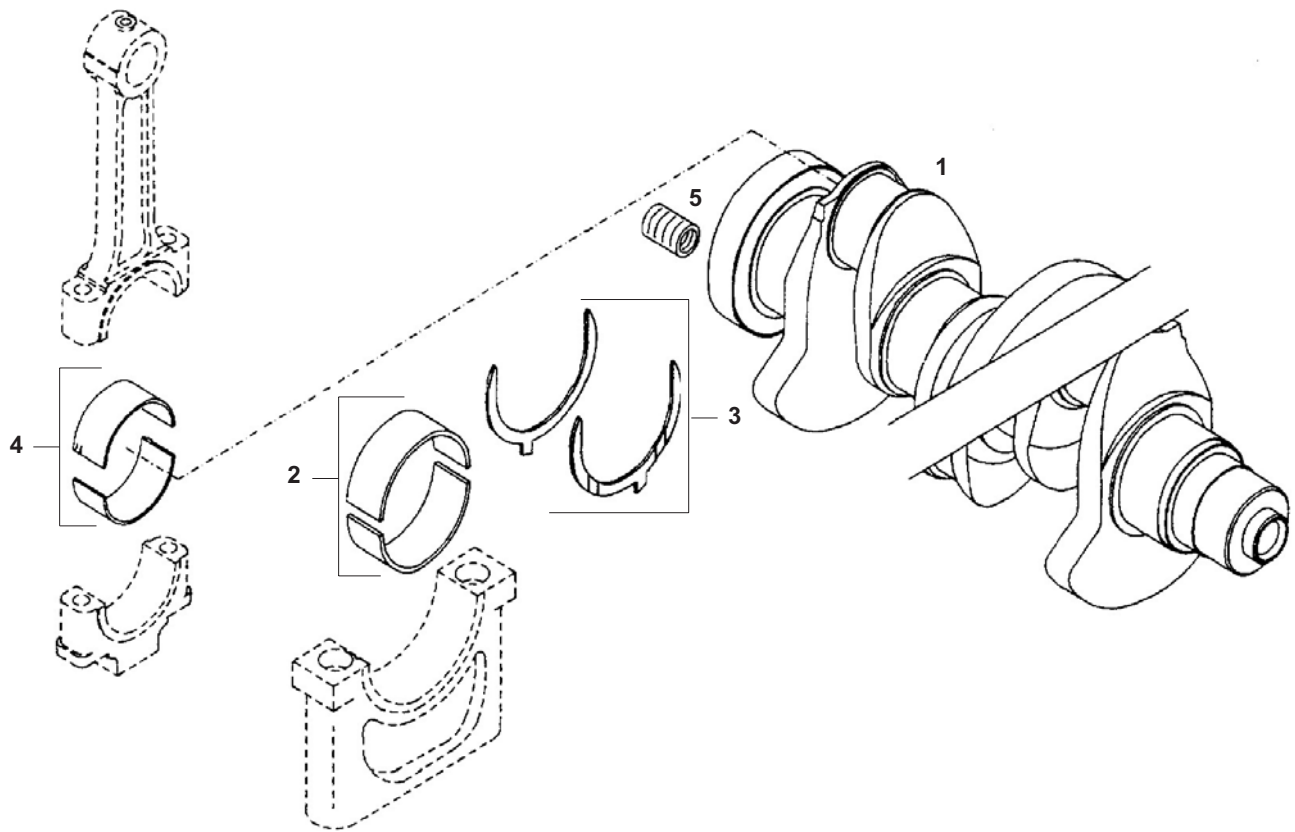
5069001

Ref No.	Part No.	Description	Quantity
1	133348	PAN/OIL (INCLUDES ITEMS 2,3)	1
2	133155	PLUG/SCREW 48 X 1.5MM	1
3	133203	RING/SEALING 48 X 59 X 3MM	1
4	133137	RING/SEALING 18 X 24MM	2
5	133143	PLUG/SCREW 18 X 1.5MM	1
6	133151	PLUG/SCREW 18 X 1.5MM	1
7	133233	BOLT/TORX HEAD 8 X 16MM CLASS 8.8	26
8	133104	COMPOUND/PACKING 300ML	AR



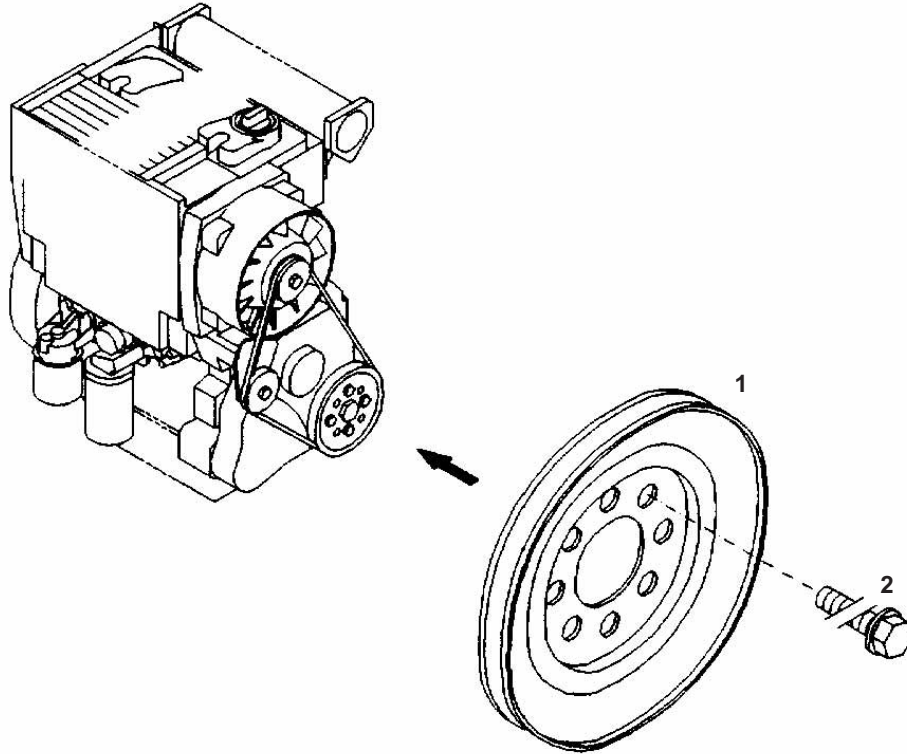
5063382

Ref No.	Part No.	Description	Quantity
1	133325	BOLT/HEX	1
2	133370	PULLEY/SYNCHRONOUS BELT	1
3	133381	FLANGE/OUTPUT	1



5068138

Ref No.	Part No.	Description	Quantity
1	133486	CRANKSHAFT (INCLUDES ITEMS 2-4)	1
2	133487	BEARING/MAIN STANDARD 70MM	5
2A	133488	BEARING/MAIN 1ST UNDERSIZE 69.75MM	5
2B	133489	BEARING/MAIN 2ND UNDERSIZE 69.50MM	5
3	133338	WASHER/THRUST STANDARD 2.4MM	1
3A	133339	WASHER/THRUST 1ST OVERSIZE 2.6MM	1
4	133490	BEARING/BIG END STANDARD 55MM	4
4A	133491	BEARING/BIG END 1ST UNDERSIZE 54.75MM	4
4B	133492	BEARING/BIG END 2ND UNDERSIZE 54.50MM	4
5	133515	INSERT/THREADED 10 X 1 X 5MM	AR

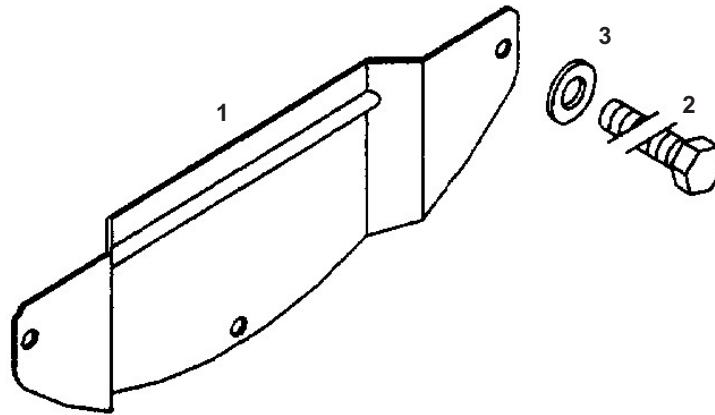


5051752

Ref No.	Part No.	Description	Quantity
1	133517 _a	PULLEY/V-GROOVED - 162MM (USED W/1050MM V-BELT)	1
	133368 _b	PULLEY/V-GROOVED - 195MM (USED W/1075MM V-BELT)	1
2	133230	BOLT/HEX 10 X 30MM CLASS 8.8	4

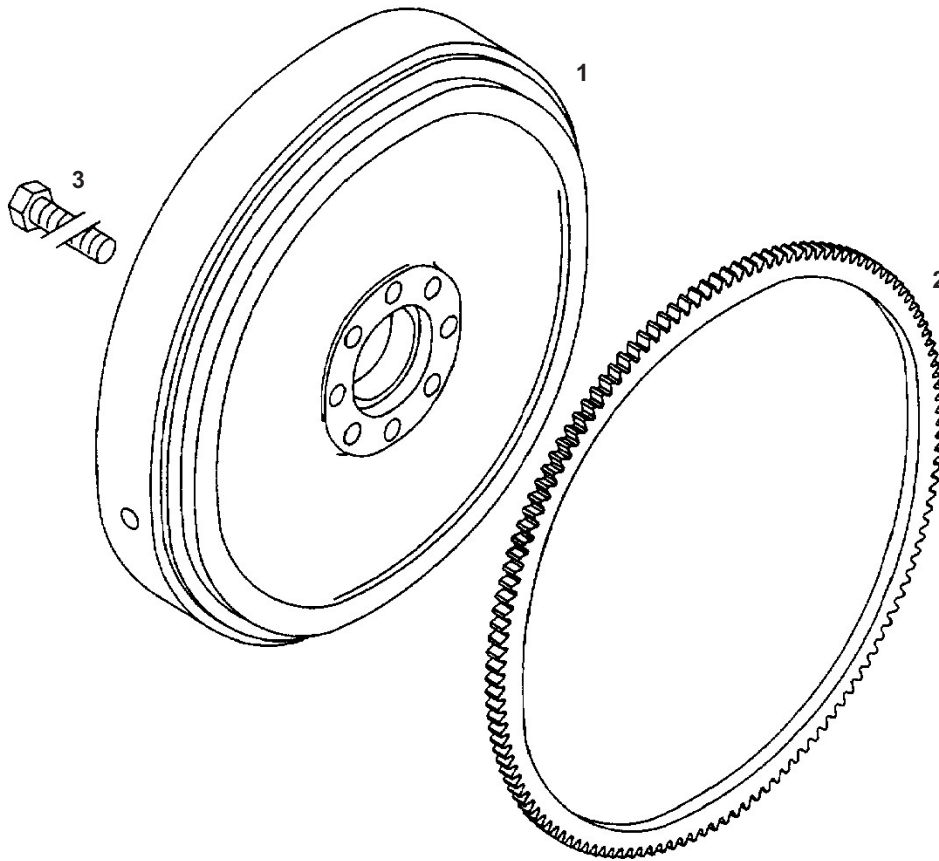
a) Engine serial number 0195658 and later.

b) Before engine serial number 0195658.



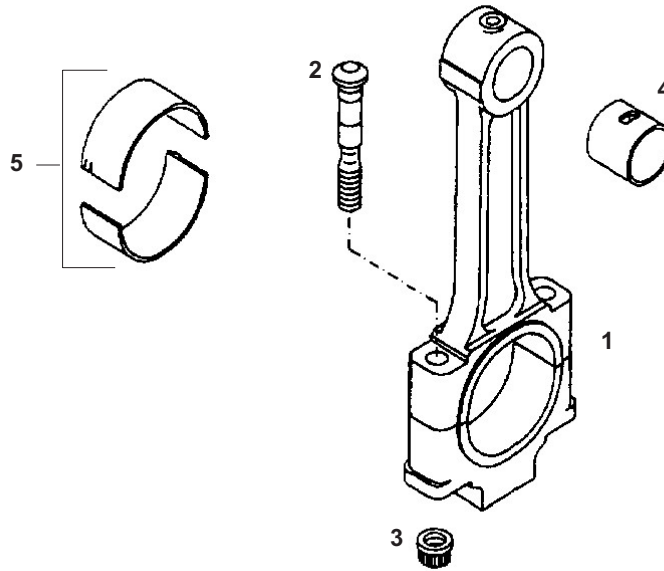
5051756

Ref No.	Part No.	Description	Quantity
1	133363	PLATE/COVER	1
2	133120	BOLT/HEX 6 X 10MM CLASS 8.8	3
3	133172	WASHER/PLAIN	3



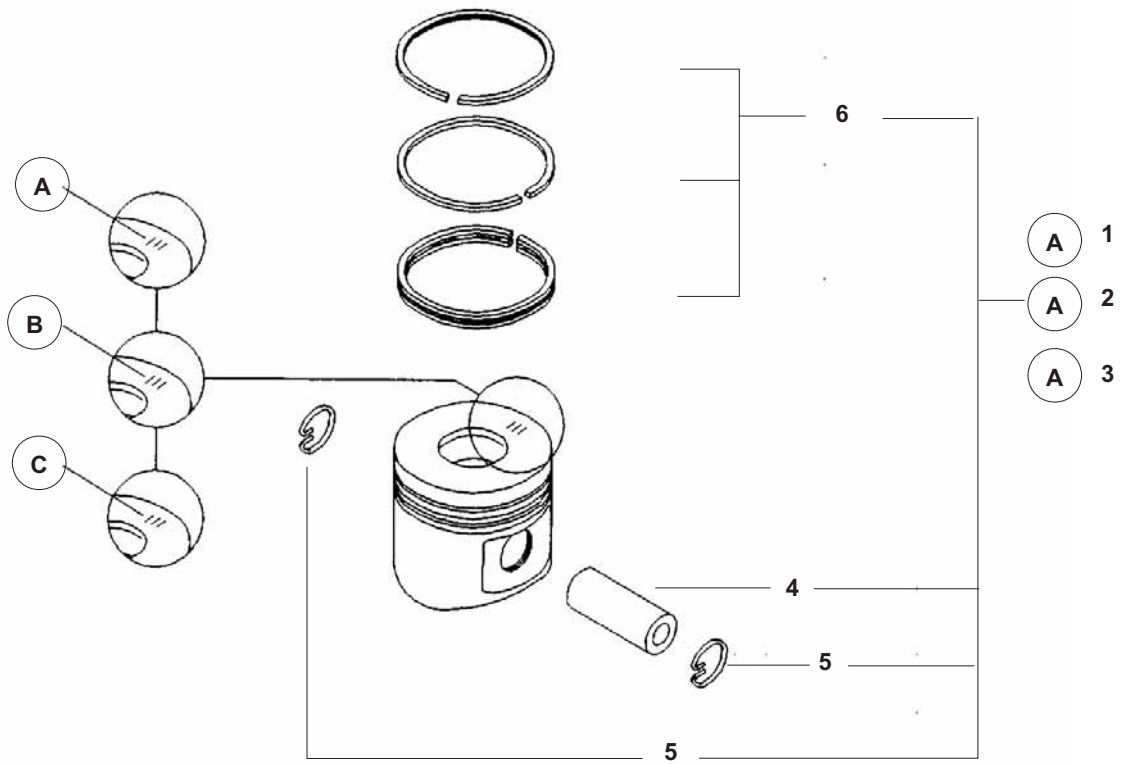
5068074

Ref No.	Part No.	Description	Quantity
1	133446	FLYWHEEL (INCLUDES ITEM 2)	1
2	133445	RIM/GEAR	1
3	133335	BOLT/SCREW	8



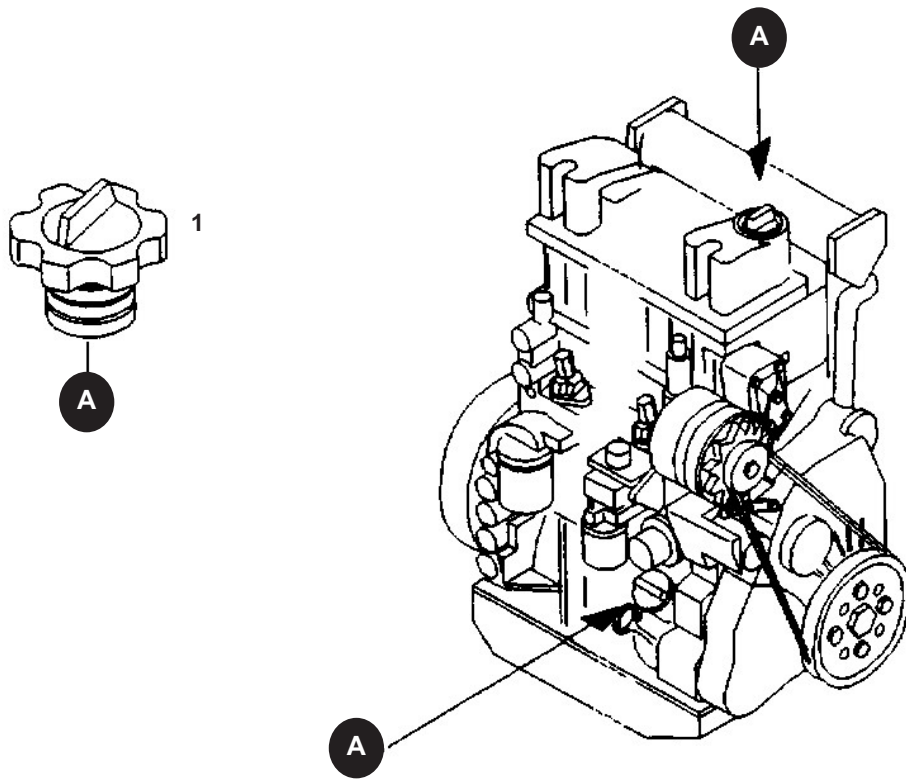
5068010

Ref No.	Part No.	Description	Quantity
1	133442	ROD/CONNECTING (INCLUDES ITEMS 2-4)	1
2	133441	BOLT/BIG END	2
3	133318	NUT	2
4	133319	BUSHING/BIG END STANDARD 29.06-29.10MM	1
4A	133320	BUSHING/BIG END OVERSIZE 29.31-29.35MM	1
5	133340	BEARING/BIG END STANDARD 55MM	1
5A	133341	BEARING/BIG END 1ST UNDERSIZE 54.75MM	1
5B	133342	BEARING/BIG END 2ND UNDERSIZE 54.50MM	1



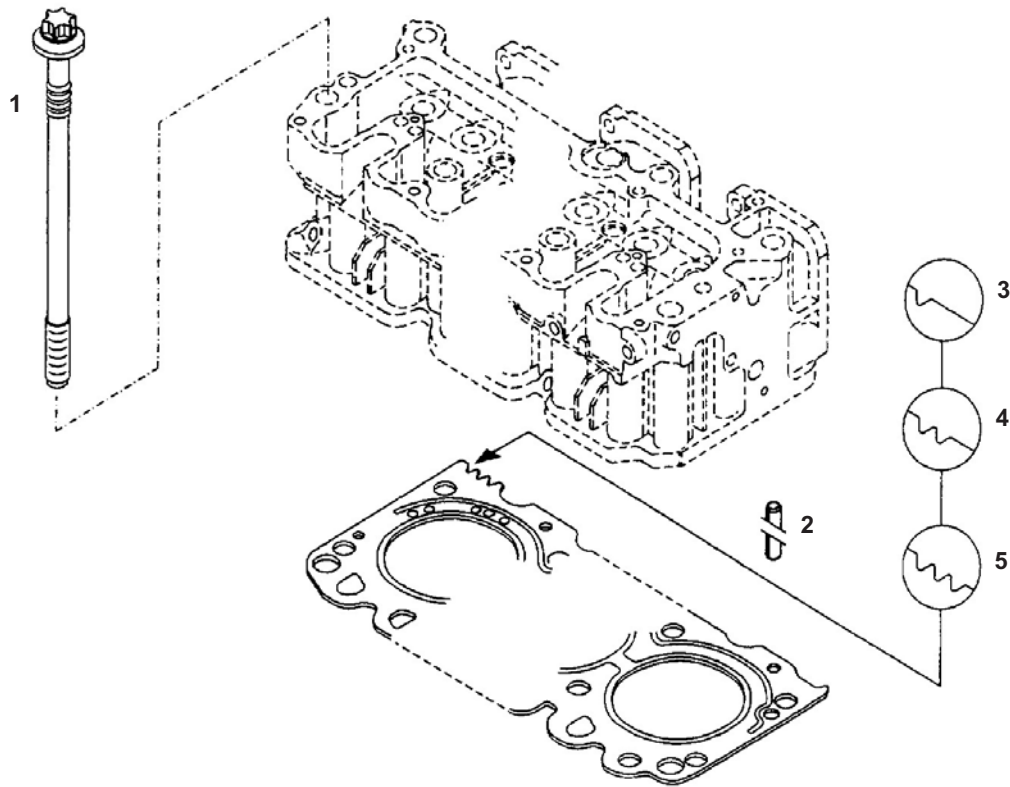
5068139

Ref No.	Part No.	Description	Quantity
1	135539	PISTON "A"	1
2	135540	PISTON "B"	1
3	135541	PISTON "C"	1
4	133317	PIN/PISTON	1
5	133157	RING/SNAP	2
6	133455	RINGS/SET OF PISTON	1



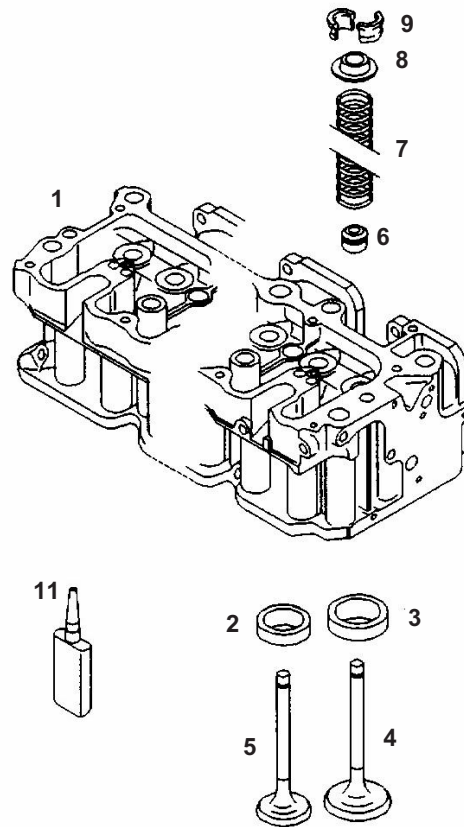
5067612

Ref No.	Part No.	Description	Quantity
1	133444	CAP/FILLER	AR



5067614

Ref No.	Part No.	Description	Quantity
1	135535	BOLT/CYLINDER HEAD	10
2	133427	PIN/SPIRAL	2
3	133574	GASKET/CYLINDER HEAD 1.48MM	AR
4	133575	GASKET/CYLINDER HEAD 1.55MM	AR
5	133576	GASKET/CYLINDER HEAD 1.60MM	AR

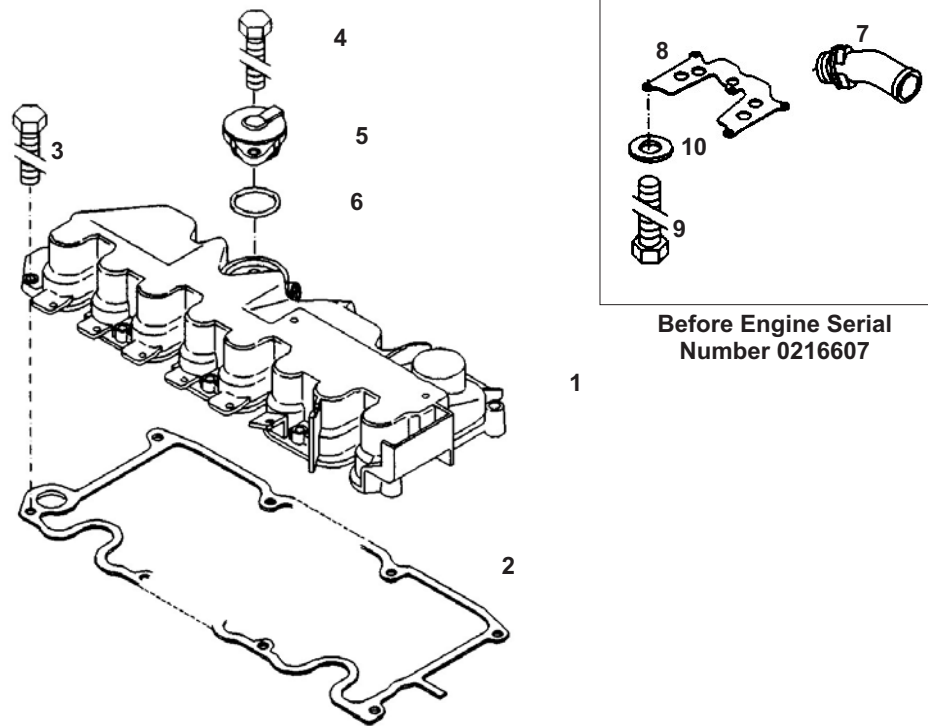


5069158

Ref No.	Part No.	Description	Quantity
1	133563 _a	HEAD/CYLINDER (INCLUDES ITEMS 2-9)	1
	133457 _b	HEAD/CYLINDER (INCLUDES ITEMS 2-9)	1
2	133379	INSERT/VALVE SEAT EXHAUST	4
2A	133327	INSERT/VALVE SEAT 1ST OVERSIZE 37.27MM	4
3	133403	INSERT/VALVE SEAT INTAKE	4
3A	133356	INSERT/VALVE SEAT 1ST OVERSIZE 42.87MM	4
4	133361	VALVE/INLET	4
5	133362	VALVE/EXHAUST	4
6	133352	SEAL/VALVE STEM	8
7	133456	SPRING/COMPRESSION	8
8	133321	CAP/SPRING	8
9	133322	COLLET/VALVE	16
10	133353	GUIDE/VALVE (NOT SHOWN)	6
11	133106	AGENT/SAFETY LOCK	AR

a) Engine serial number 0216607 and later.

b) Before engine serial number 0216607.

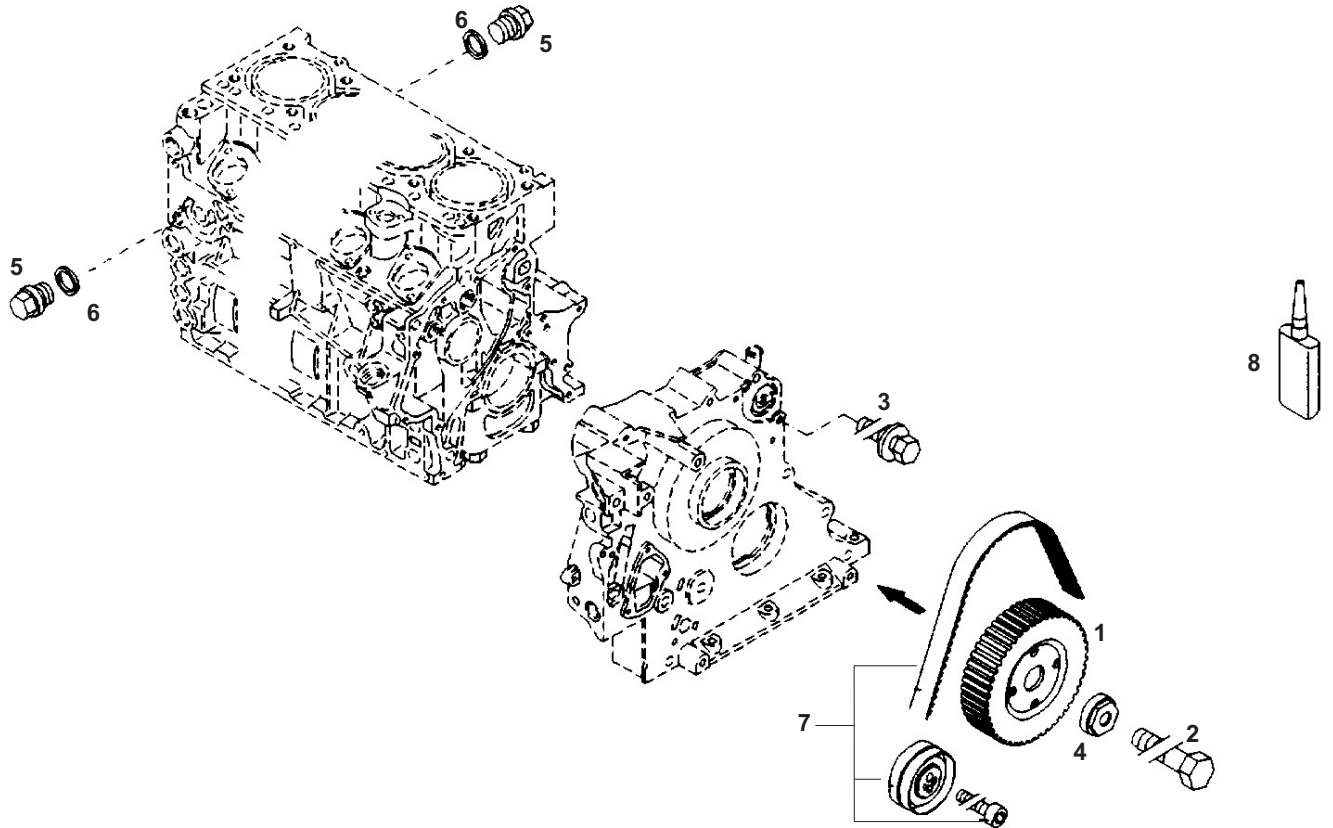


5069157
5069113

Ref No.	Part No.	Description	Quantity
1	133565 _a	COVER/CYLINDER HEAD HARD	1
	133508 _b	COVER/CYLINDER HEAD HARD	1
2	133566 _a	GASKET	1
	133472 _b	GASKET	1
3	133164	BOLT/HEX 6 X 30MM CLASS 8.8	10
4	133163	BOLT/HEX 6 X 25MM CLASS 8.8	1
5	133426	VALVE/BREATHER	1
6	133250	O-SEAL 45 X 4MM	1
7	133509 _b	ELBOW	1
8	133510 _b	PLATE/COVER	1
9	133119 _b	BOLT/HEX 5 X 10MM CLASS 8.8	5
10	133167 _b	WASHER/PLAIN	5

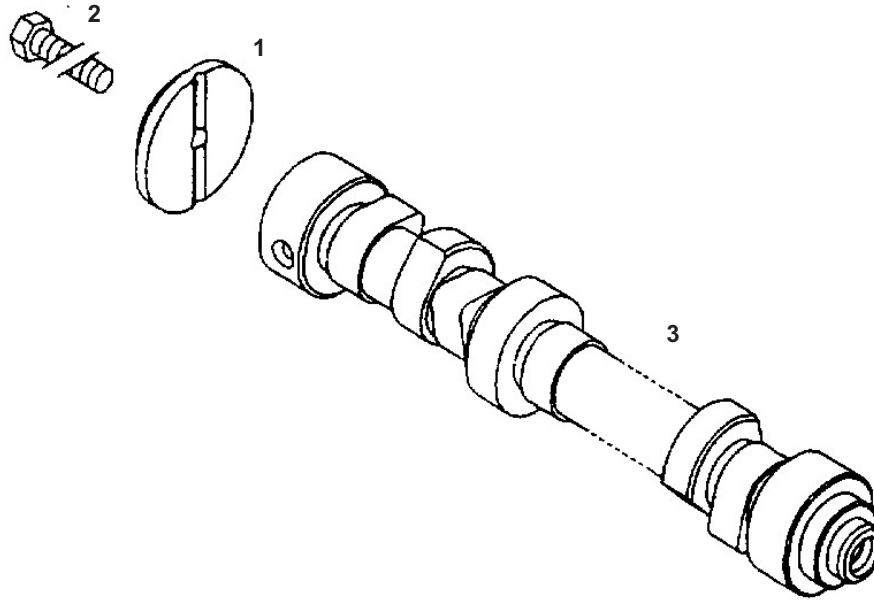
a) Engine serial number 0216607 and later.

b) Before engine serial number 0216607.



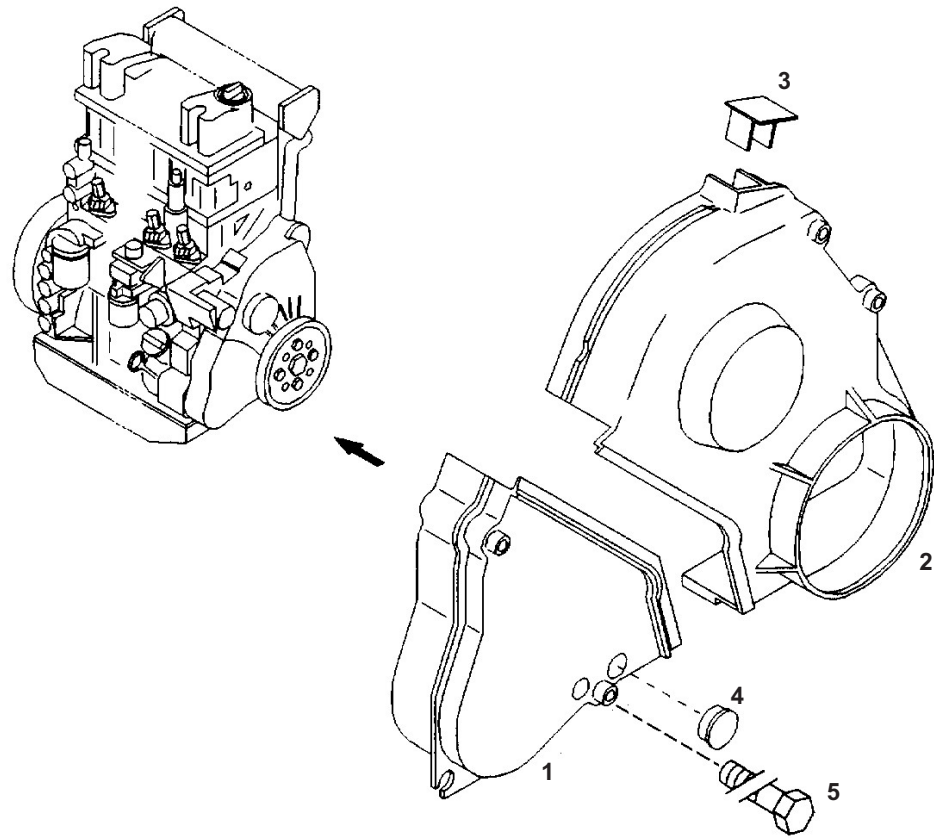
5067701

Ref No.	Part No.	Description	Quantity
1	133378	PULLEY/SYNCHRONOUS BELT	1
2	133242	BOLT/HEX 14 X 110MM CLASS 12.9	1
3	133231	BOLT/HEX 8 X 60MM CLASS 8.8	11
4	133324	WASHER/PLAIN	1
5	133144	PLUG/SCREW 10 X 1MM	2
6	133132	RING/SEALING 10 X 16MM	2
7	133347	KIT/REPAIR	1
8	133103	COMPOUND/PACKING	AR



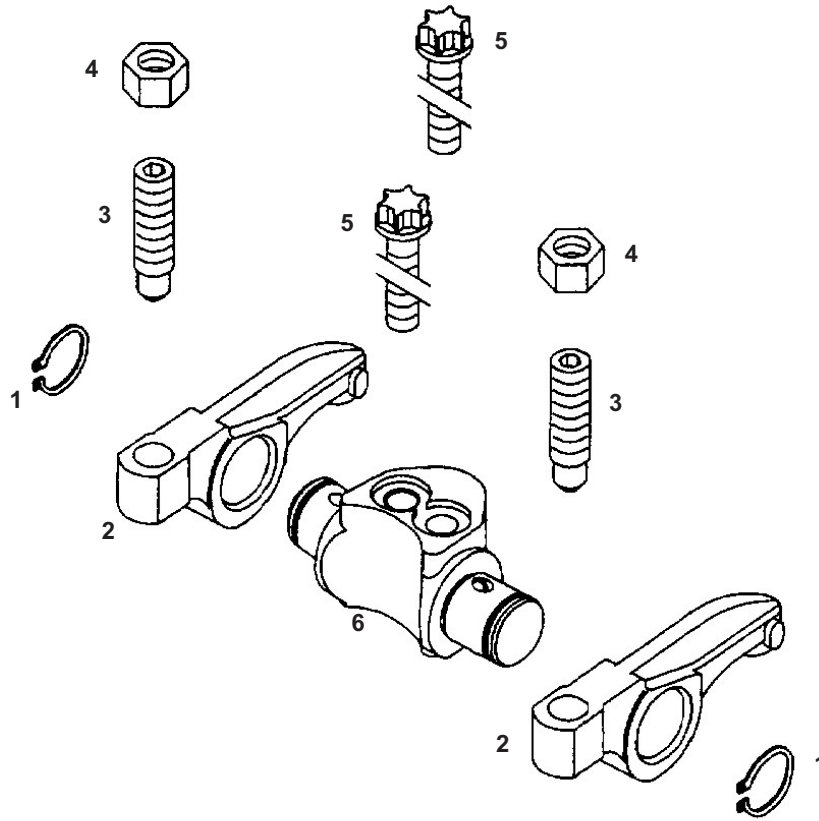
5068049

Ref No.	Part No.	Description	Quantity
1	133367	WASHER/THRUST	1
2	133158	BOLT/HEXAGON 8 X 35MM CLASS 8.8	1
3	133453	CAMSHAFT	1



5068149

Ref No.	Part No.	Description	Quantity
1	135545	HOOD/PROTECTION (INCLUDES ITEM 4)	1
2	133467	HOOD/PROTECTION	1
3	135534	PLUG	1
4	133216	PLUG	1
5	135492	BOLT/HEX 6 X 70MM CLASS 8.8	4



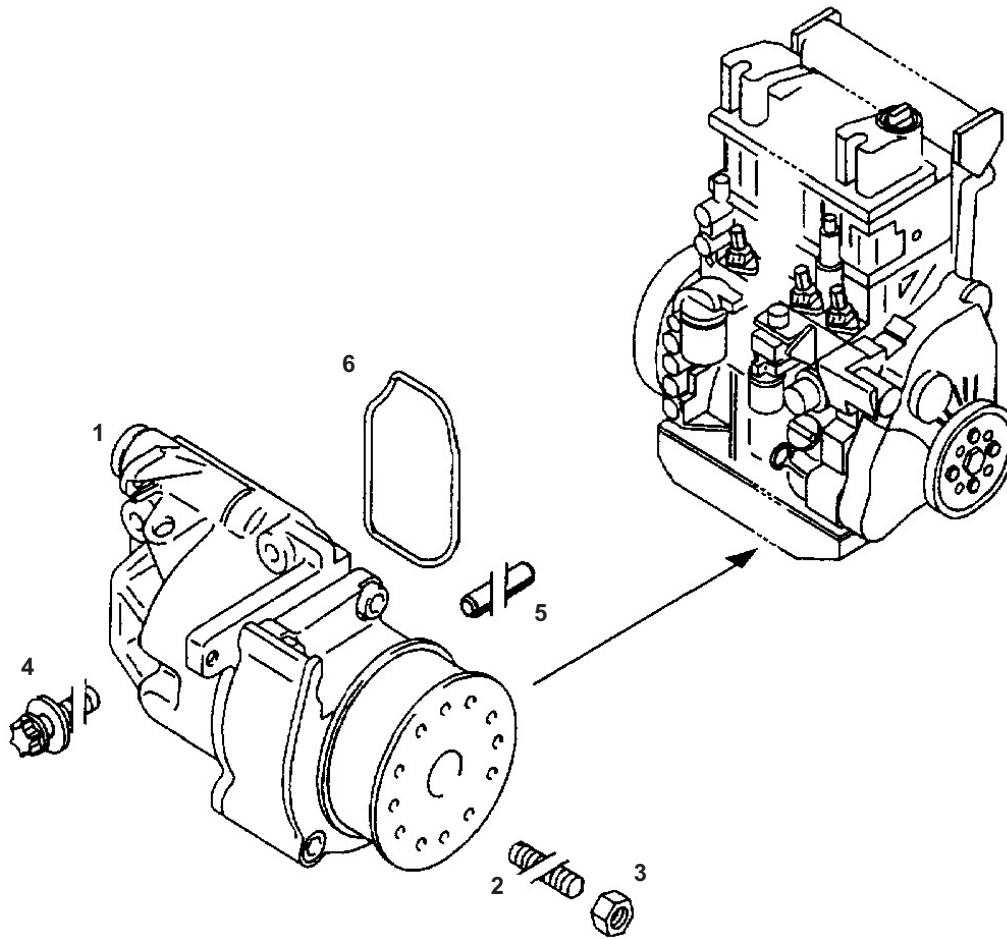
5051930

Ref No.	Part No.	Description	Quantity
1	133113	CIRCLIP	2
2	133332	ARM/ROCKER	2
3	133333	SCREW/ADJUSTING	2
4	133334	NUT/HEX	2
5	135501	BOLT/TORX HEAD 8 X 45MM	2
6	133375	BRACKET/ROCKER ARM (INCLUDES ITEMS1-4)	1



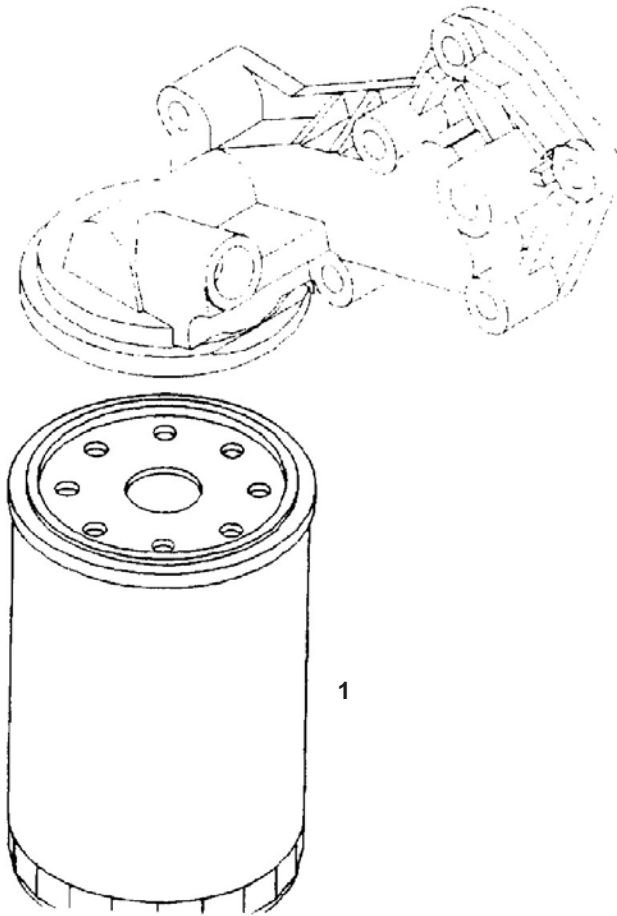
5067617

Ref No.	Part No.	Description	Quantity
1	133330	PUSHROD	2
2	133402	TAPPET/VALVE	2



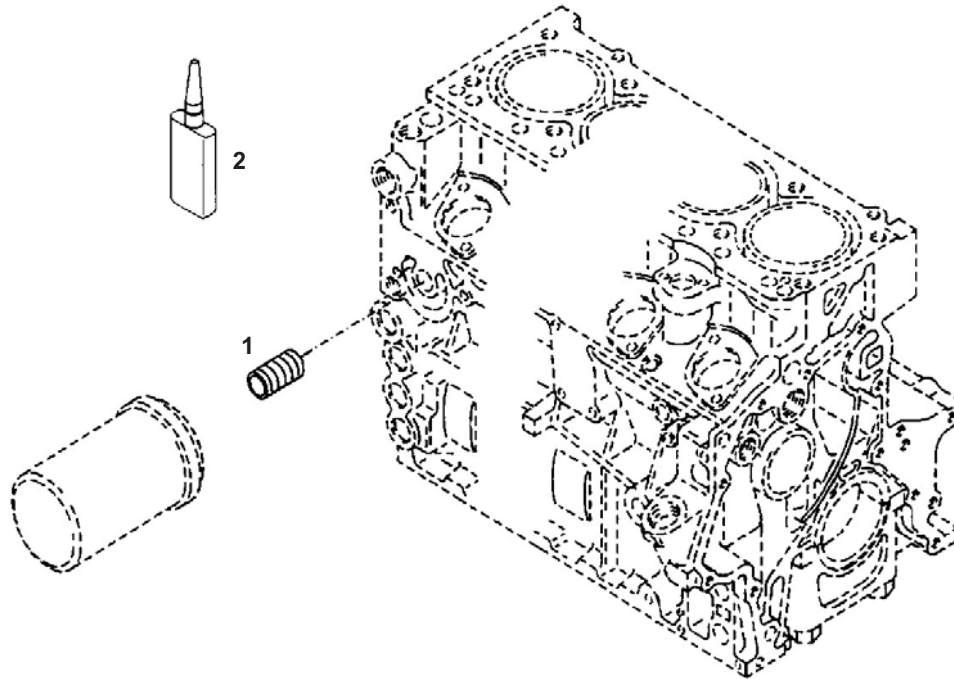
5067615

Ref No.	Part No.	Description	Quantity
1	133439	PUMP/LUBRICATION OIL (INCLUDES ITEMS 2,3)	1
2	133142	SCREW/SET	1
3	133125	NUT/HEX 6-8MM	1
4	133237	BOLT/TORX HEAD 8 X 35MM CLASS 8.8	4
5	133428	PIN/SPIRAL	2
6	133440	RING/SEALING	1



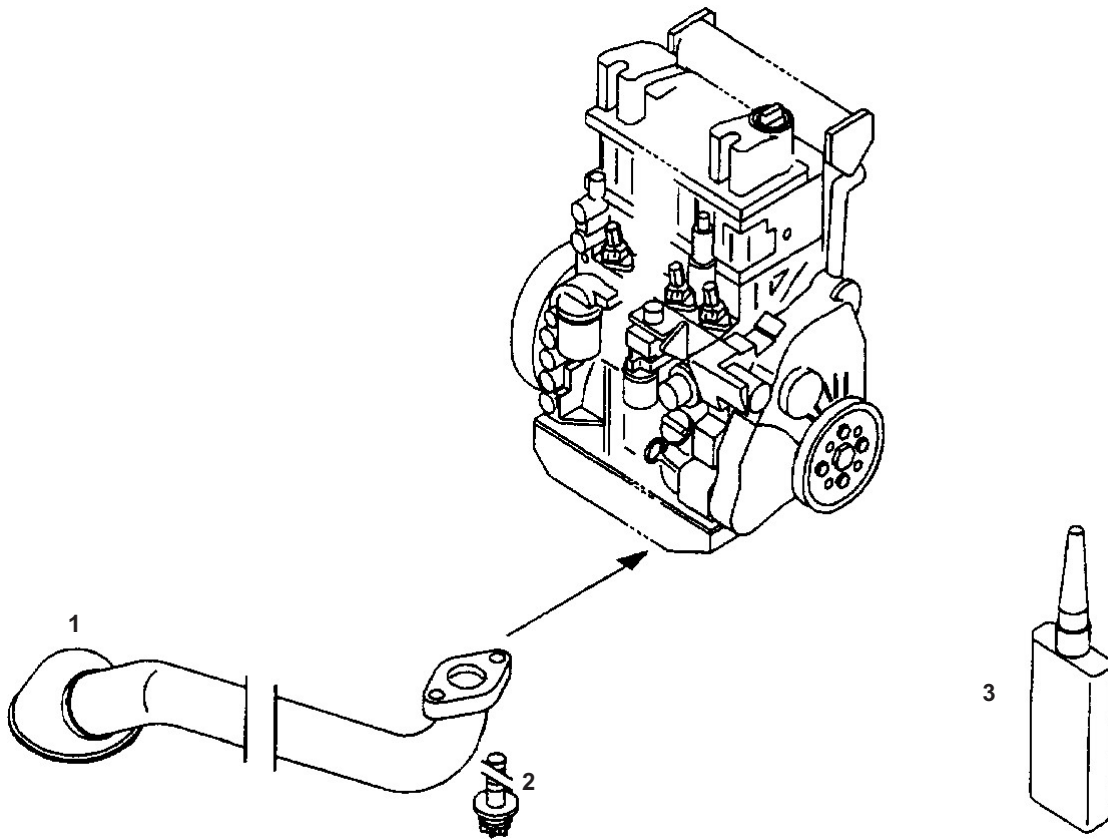
5064400

Ref No.	Part No.	Description	Quantity
1	132023	FILTER/SPIN-ON	1



5068022

Ref No.	Part No.	Description	Quantity
1	133326	BUSHING/SCREWED	1
2	133105	AGENT/SAFETY LOCK 50 ML	AR



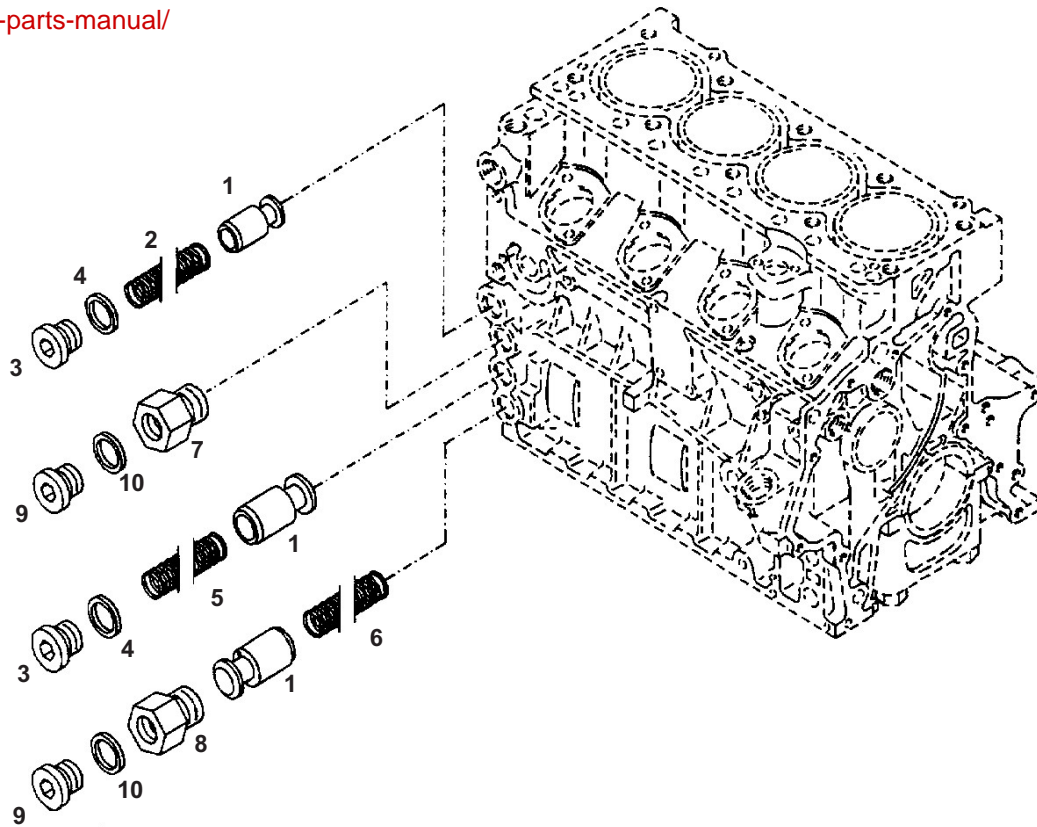
5067625

Ref No.	Part No.	Description	Quantity
1	133407	PIPE/OIL SUCTION	1
2	133235	BOLT/TORX HEAD 8 X 25MM CLAS 8.8	2
3	133103	COMPOUND/PACKING	AR

Product: 1999 Deutz F 4M1011F Engines Parts Manual

Full Download: <https://www.arepairmanual.com/downloads/1999-deutz-f-4m1011f>

[-engines-parts-manual/](https://www.arepairmanual.com/downloads/1999-deutz-f-4m1011f-engines-parts-manual/)



5067710

Ref No.	Part No.	Description	Quantity
1	133414	VALVE	3
2	133415	SPRING/COMPRESSION	1
3	133109	PLUG/SCREW 24 X 1.5MM	2
4	133139	RING/SEALING 24 X 29MM	2
5	133451	SPRING/COMPRESSION	1
6	133416	SPRING/COMPRESSION	1
7	133409	NIPPLE/ADAPTER	1
8	133410	NIPPLE/ADAPTER	1
9	133176	PLUG/SCREW 18 X 1.5MM	2
10	133136	RING/SEALING 18 X 20MM	2

Sample of manual. Download All 66 pages at:

<https://www.arepairmanual.com/downloads/1999-deutz-f-4m1011f-engines-parts-manual/>