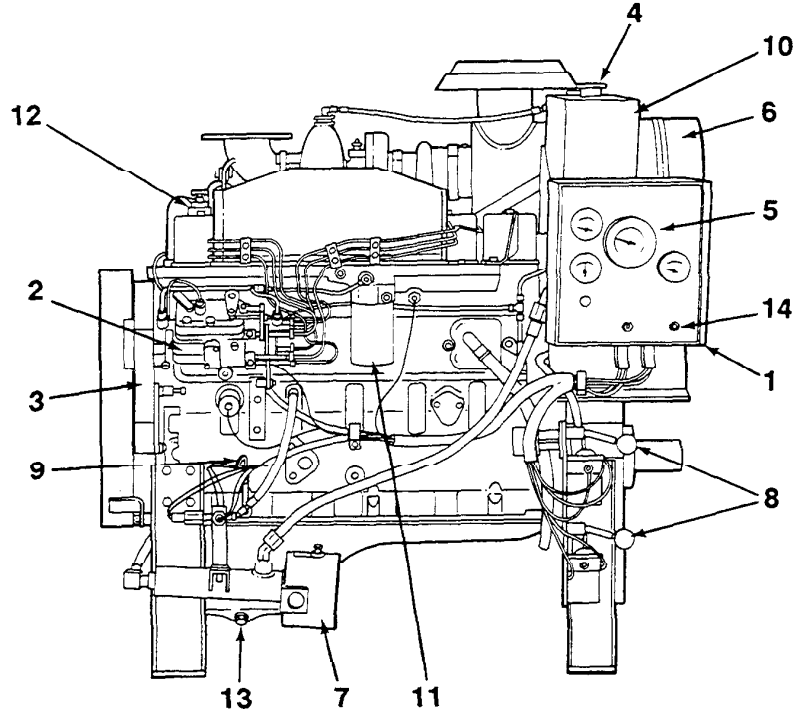


# Cummins Parts Catalog

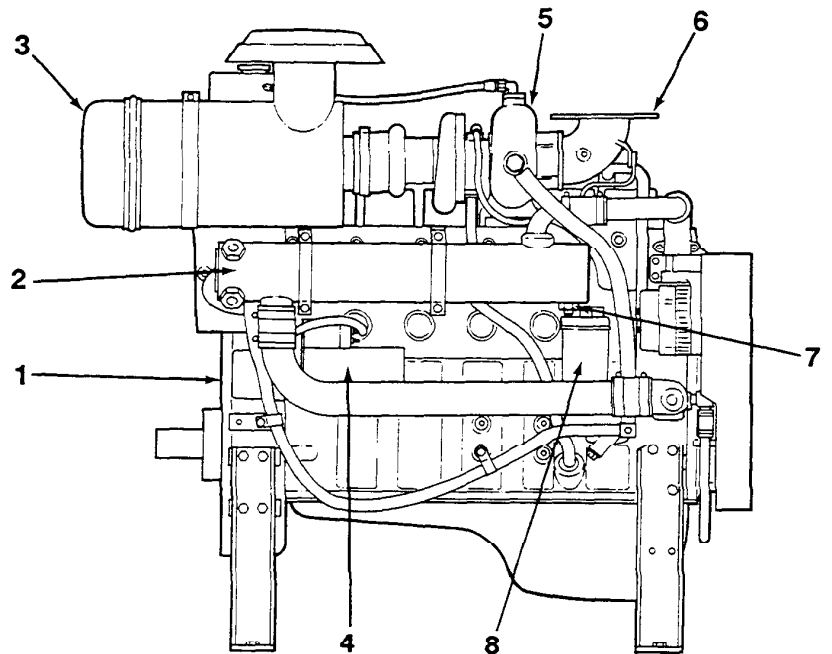
## 6BTA5.9 F1, F2, F4

The pictures which follow show the locations of the major external engine components, the filters, and other service and maintenance points.

1. Terminal Box
2. Fuel Pump
3. Engine Dataplate
4. Coolant Pressure Cap
5. Instrument Panel
6. Air Cleaner
7. Coolant Heater
8. Starting Motor Contactors
9. Dipstick
10. Top Fill Tank
11. Fuel Filter
12. Lubricating Oil Fill Location
13. Oil Pan Drain
14. Speed Switch (located inside box)



1. Flywheel Housing
2. Heat Exchanger
3. Air Cleaner
4. Starter Motor
5. Turbocharger
6. Exhaust
7. Zinc Plug
8. Full Flow Oil Filter

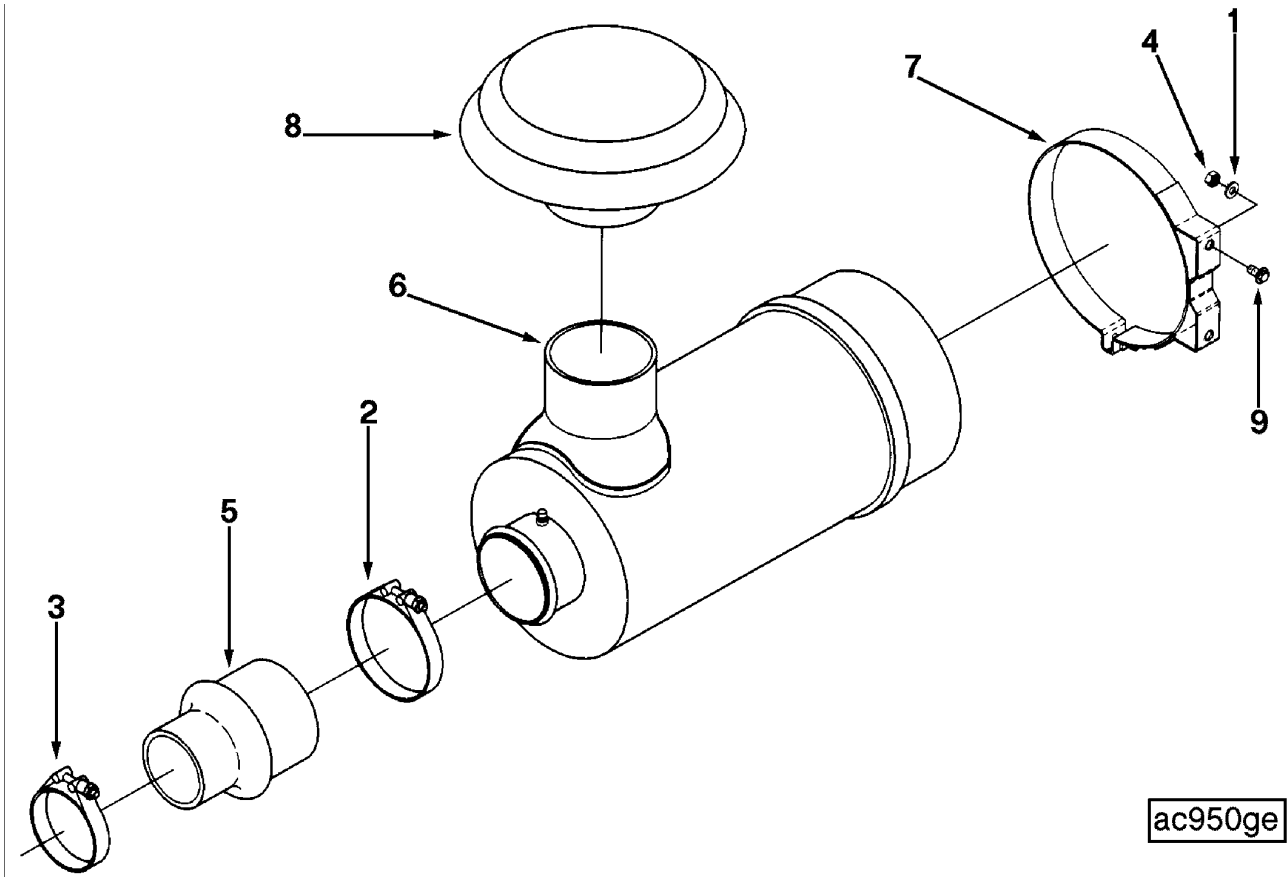




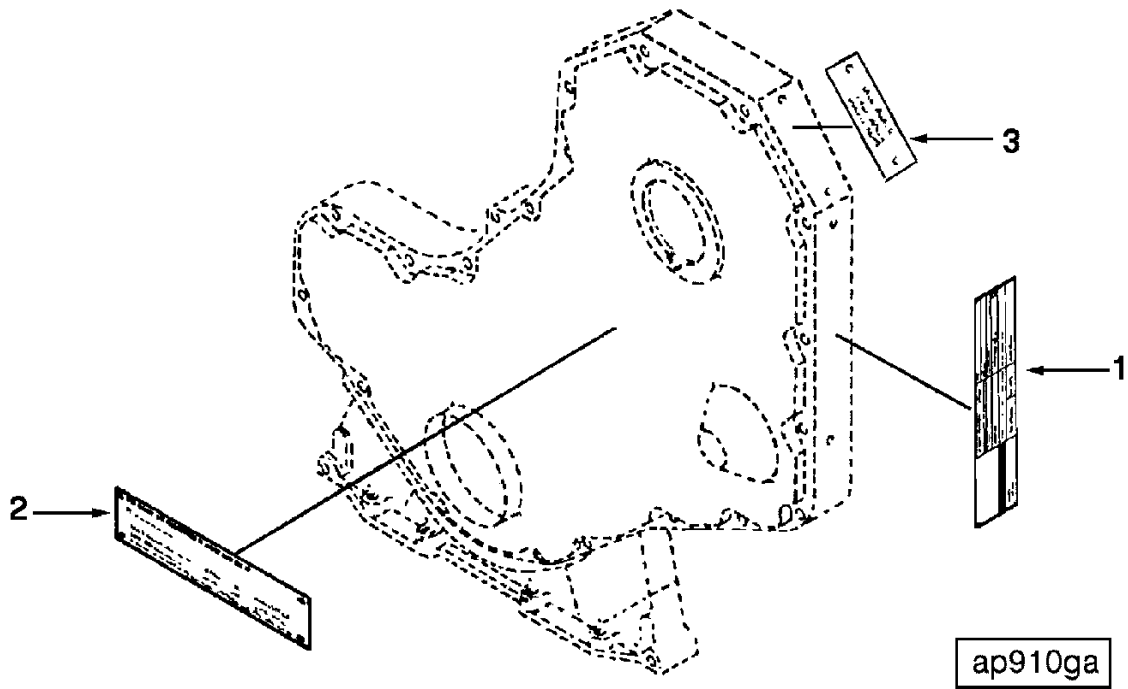
The following parts are suggested spares are for the Cummins 6BTA-F

Item	Quantity Per Service Interval	Cummins PN#	Fleetguard PN#	
<b>6BTA5.9-F</b>				
1 year or 250 hours	Air Cleaner	1	none	AF1735K
	Fuel Filter	1	3931063	FF5052
	Lube Filter	1	3932217	LF3349
	Lube Oil	4 Gal.	3377363	
	Alternator	As needed	3920679	
	Belt	As needed	3911587	
	Starter 12V	As needed	3916854	
	Red Paint	As needed	3885910	

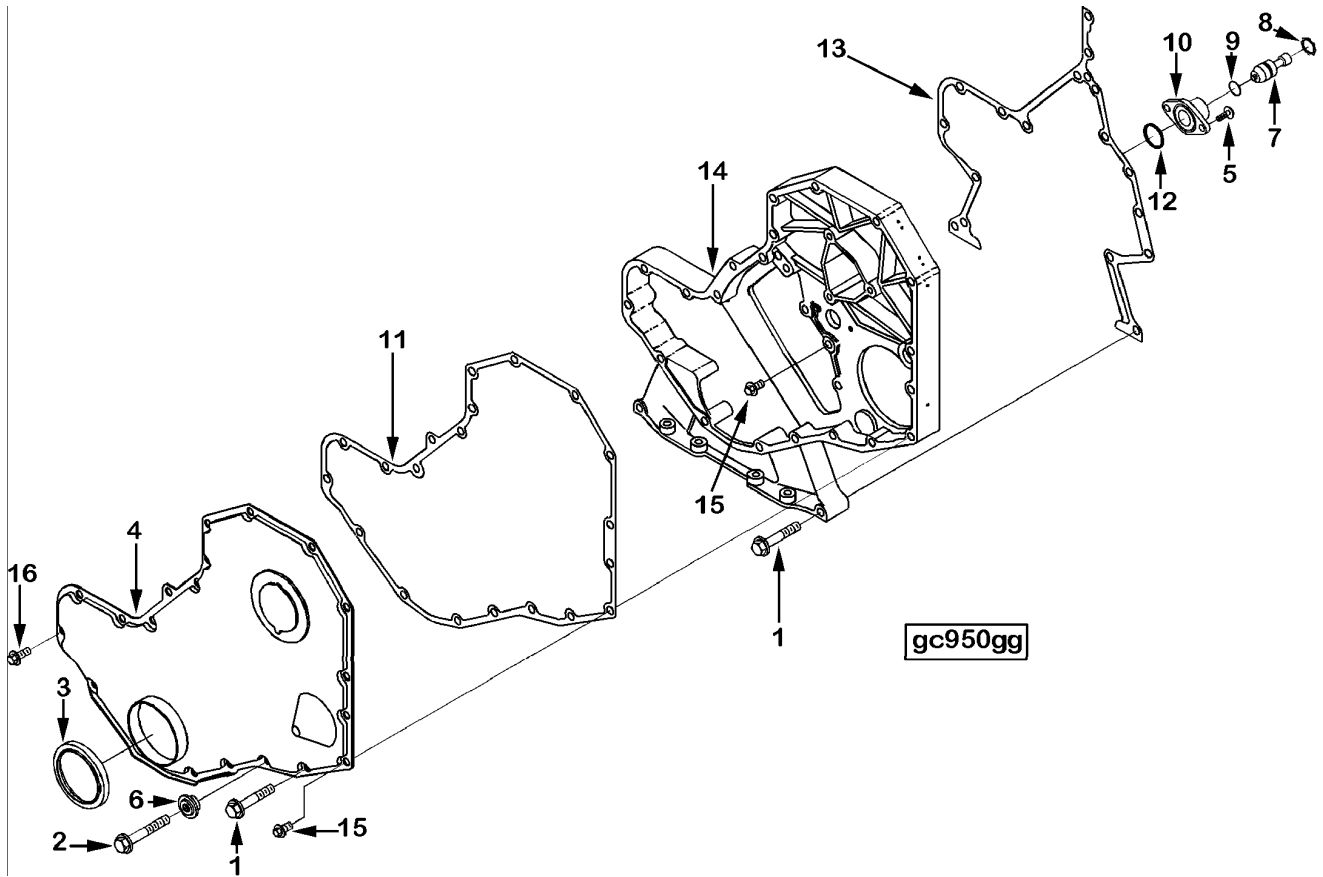
The Lube Oil part number 3377363 is for Cummins Premium Blue 15W40 oil supplied in one gallon plastic jugs.



REF NO	PART NUMBER	PART NAME	REQ	REMARKS
	AC9073	Air Cleaner	1	Cleaner, Air Number of Cylinders: 6 Duty Rating: Heavy Aspiration: Turbocharged Outlet Diameter MM: 104.6 Mounting Location: Rear of engine Cleaner Manufacturer: Donaldson Environmental Use: Indoors Element Disposition: Disposable Mounted or Kit: Mounted
1	S-626	Washer, Plain	2	5/16 inch
2	125740	Clamp, T Bolt	1	4 1/2 inch
3	135144	Clamp, T Bolt	1	3 1/2 inch
4	3900240	Nut, Regular Hexagon	2	M8 x 1.25
5	3904060	Hose, Hump	1	
6	3915066	Cleaner, Air	1	
7	3915067	Strap, Air Cleaner	1	
8	3915068	Cap, Rain	1	
9	3925883	Screw, Hex Flange Head Cap	2	M8 x 1.25 x 16



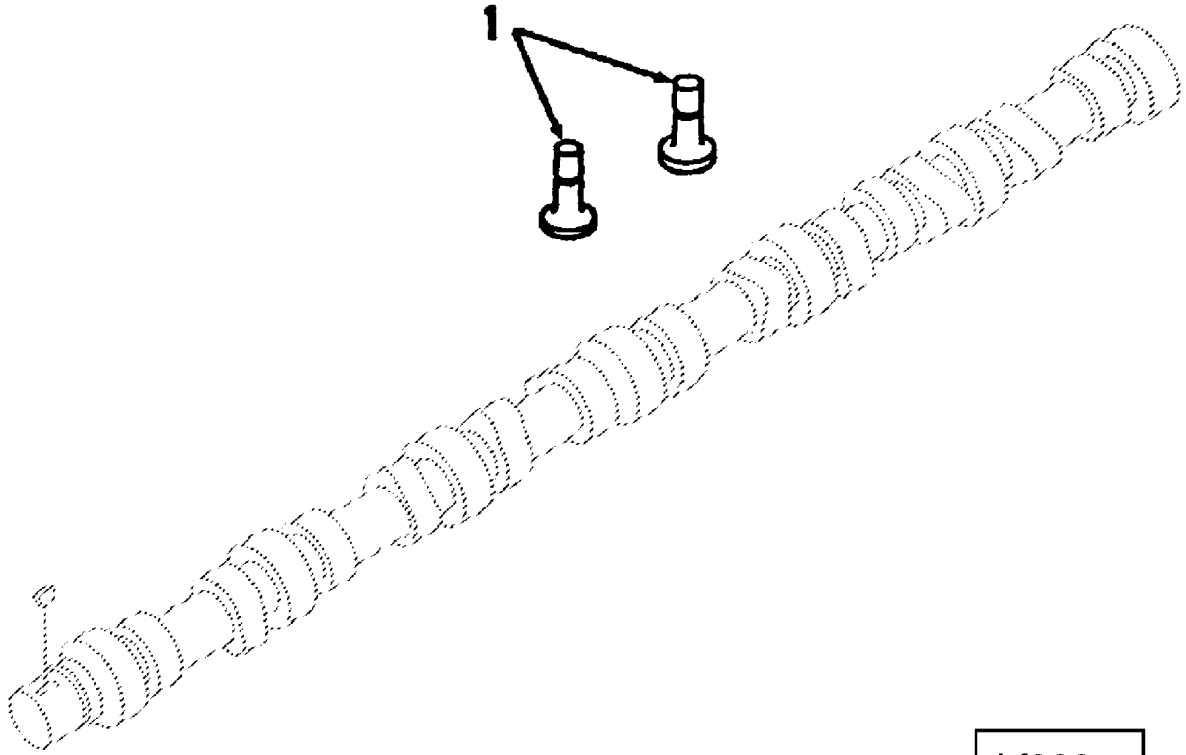
REF NO	PART NUMBER	PART NAME	REQ	REMARKS
	AP9046	Dataplate	1	Fire Pump Certification Certification Agency: FM (Factory Mutual) UL (Underwriters Laboratories) Engine Family: B Series Certification Status: Approved/Listed Application: Fire Pump Unique Characteristics: 208 BHP @ 2100 RPM/182 BHP @ 1760 RPM Structure Code: 02 EBM Fuel Pump Dataplate to be applied to the fuel pump side of the instrument panel. 3918890 and 3918891 speed switch dataplates to be supplied loose.
1	3915072	Dataplate	1	
2	3918890	Dataplate	1	
3	3918891	Dataplate	1	



REF NO	PART NUMBER	PART NAME	REQ	REMARKS
	BP9703	Front Gear Cover	1	Front Gear Cover Family: B Series Belt Retainer Included: Yes Noise Dampening Panel Provision: No Access for Tach Drive: Yes Gear Housing Material: Cast Aluminum Fuel Pump Mounted Angle: 35 Degree ADDL. Clearance for ENG. Mount: No Compatible w/Oil Pan Corner Stiffener: No Engine Design Phase: Current Product Fuel Pump: Bosch VE Bosch VP14 CAV DPA CAV DPS Stanadyne DB3 Stanadyne DB4 DEP may use 3920518 in place of 3920758. DEP may omit 3912772 belt retainer and 3901446 capscrew and add 3900633 capscrew.
1	3900633	Screw, Hex Flange Head Cap	10	M8 x 1.25 x 50
2	3901446	Screw, Hex Flange Head Cap	1	M8 x 1.25 x 60
3	(3904353)	Front Seal Service Kit	1	
4	3903794	Cover, Gear	1	
5	3907998	Screw, Round Head Cap	2	M5 x 0.80 x 17
6	3912772	Retainer, Belt	1	
	(3913995)	Housing, Timing Pin	1	
7	3903924	Pin, Timing	1	
8	3904849	Ring, Retaining	1	
9	3913994	Seal, O Ring	1	
10	3919683	Housing, Timing Pin	1	
11	3914385	Gasket, Gear Cover	1	
12	3915772	Seal, Rectangular Ring	1	
13	3931351	Gasket, Gear Housing	1	
14	3920758	Housing, Gear	1	
15	3924962	Screw, Hex Flange Head Cap	11	M8 x 1.25 x 16
16	3926846	Screw, Hex Flange Head Cap	5	M8 x 1.25 x 20



REF NO	PART NUMBER	PART NAME	REQ	REMARKS
	BP9710	Rocker Levers	1	Rocker Lever Engine Family: B Series Cylinders: 6 P/N 3910815 can be used in place of 3939420.
	3922488	Support, Rocker Lever	6	
1	(3911423)	Support, Rocker Lever	1	
	(3922487)	Shaft, Rocker Lever	1	
2	3910811	Lever, Rocker	6	
	(3910809)	Lever, Rocker	1	Intake
3	3934086	Screw, Rkr Lever Adjusting	1	
4	3927692	Nut, Heavy Hexagon	1	3/8 - 24 UNF
5	(3900705)	Insert, Rocker Lever	1	
6	3910810	Lever, Rocker	6	
	(3910808)	Lever, Rocker	1	Exhaust
3	3934086	Screw, Rkr Lever Adjusting	1	
4	3927692	Nut, Heavy Hexagon	1	3/8 - 24 UNF
5	(3900705)	Insert, Rocker Lever	1	
7	3900245	Washer, Plain	12	M19
8	3900242	Ring, Retaining	12	
9	3901221	Screw, Hexagon Head Cap	6	M8 x 1.25 x 75
10	3920781	Screw, Hex Flange Head Cap	6	
11	3284377	Rod, Push	12	



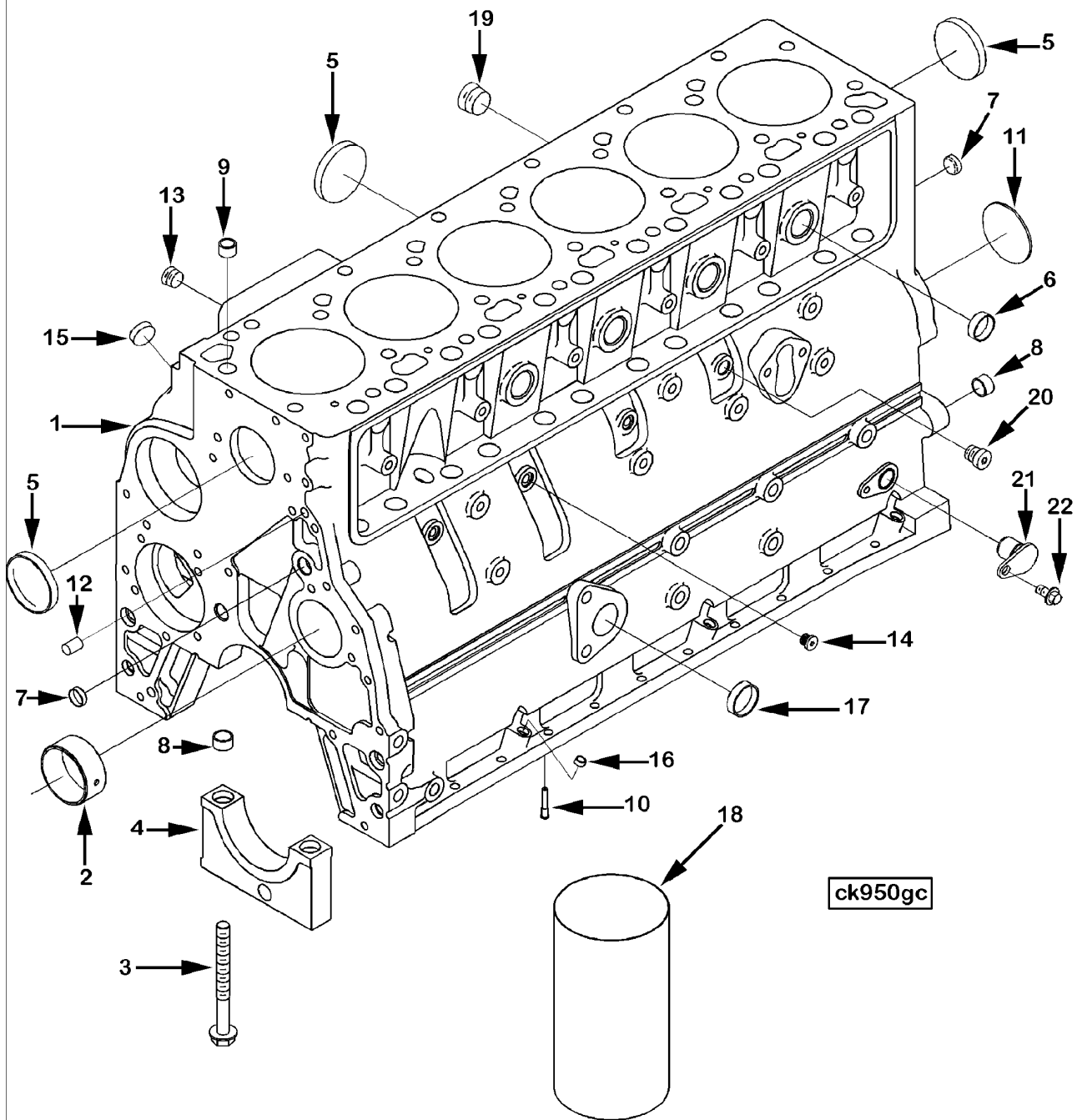
kf900ga

Group No. 04.01

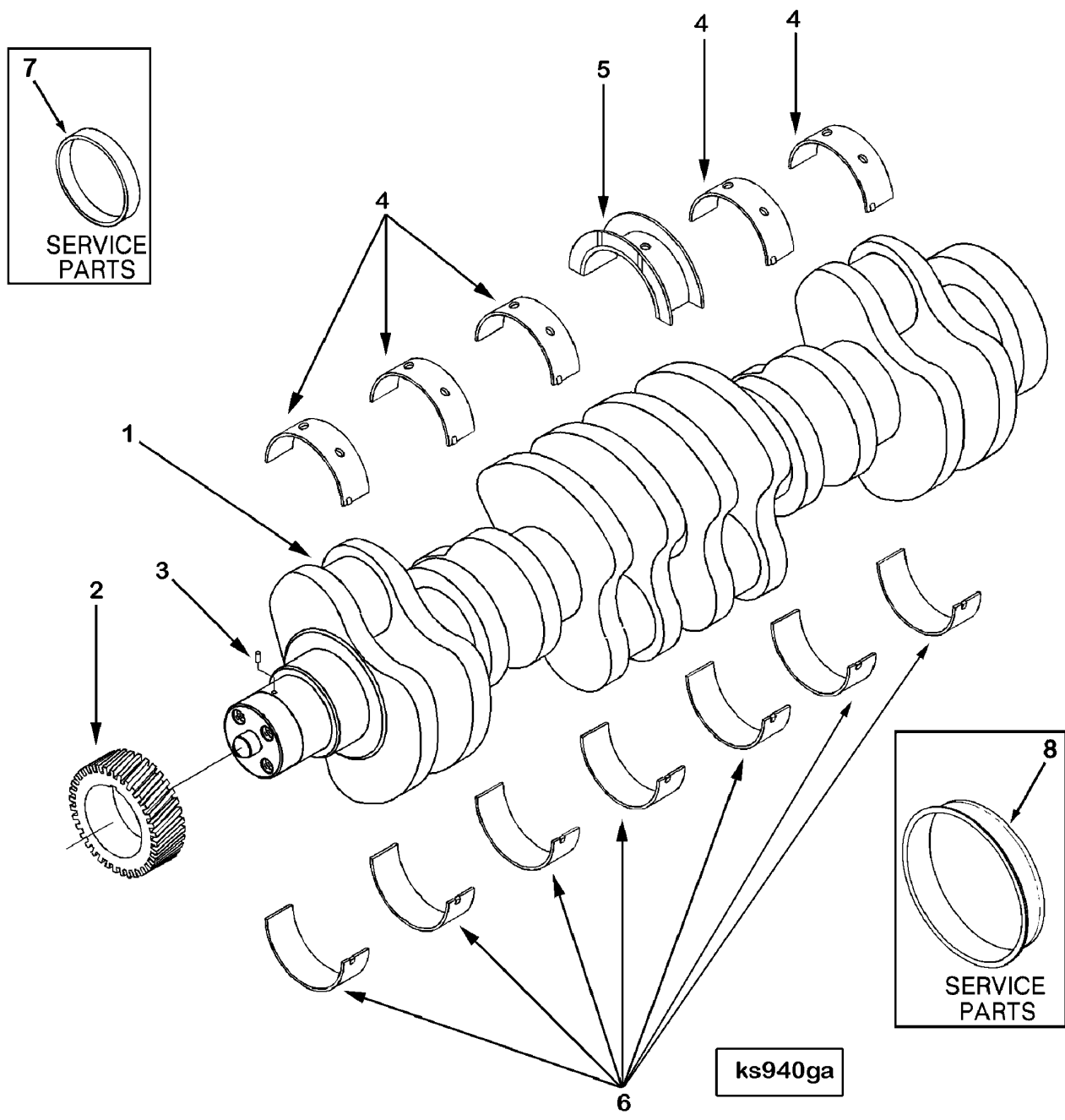
Valve-Tappet

Option No. BP9711-01

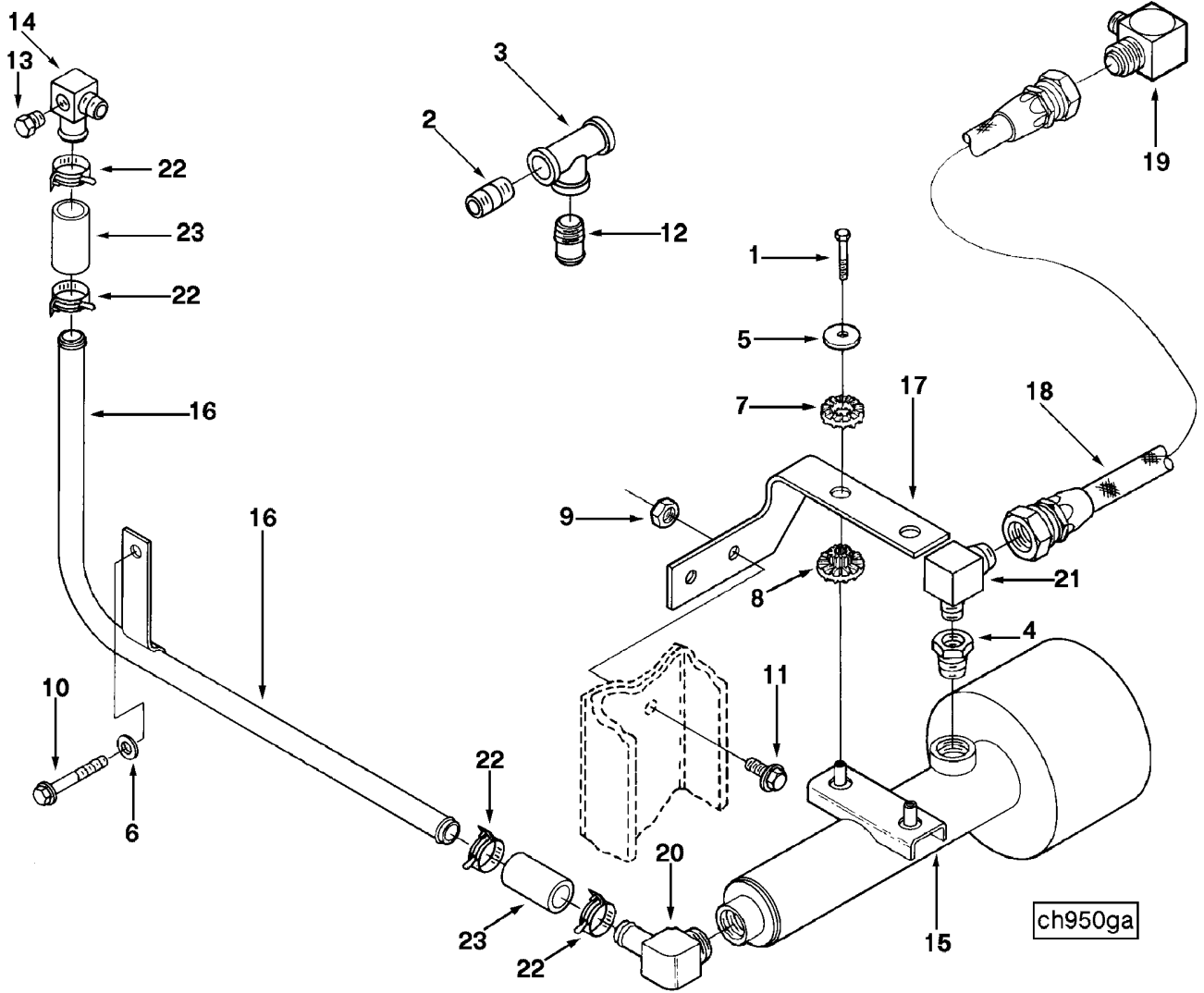
REF NO	PART NUMBER	PART NAME	REQ	REMARKS
	BP9711	Valve Tappet	1	Camfollower Cover Engine Family: B Series Cylinders: 6
1	3931623	Tappet, Valve	12	



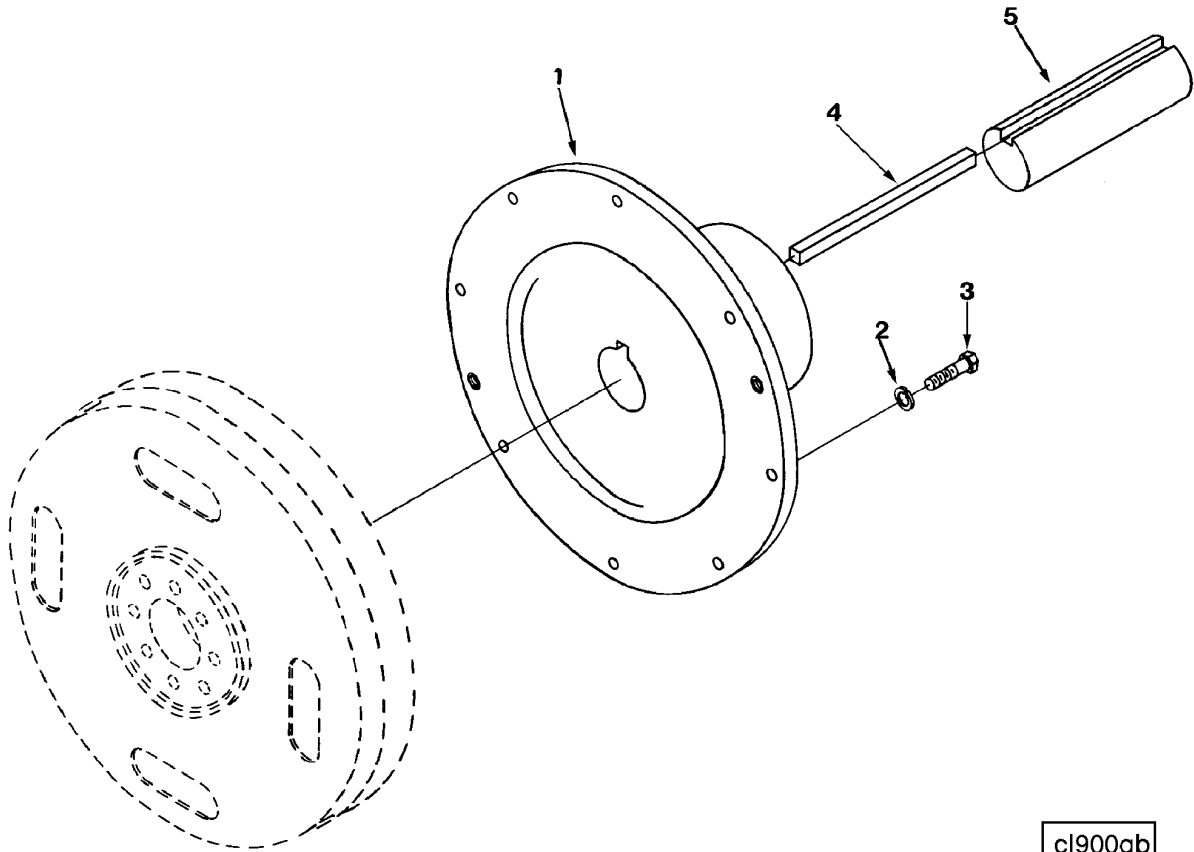
REF NO	PART NUMBER	PART NAME	REQ	REMARKS
	BP97158	Engine Block	1	Cylinder Block Engine: B Series Cylinders: 6 Aspiration: Jacket Water Aftercooled Fuel Type: Diesel Premium Block: Yes Tapped Fittings: STORM Structural Block: No Restricted Fuel Pump Mfg/ Model: Bosch A Bosch P3000 Bosch P7100 Expansion plug 3007635 may be used in place of 3910435. For use with Encore block in place of BP9863. CNS may use painted or unpainted blocks.
	3935932	Block, Cylinder	1	
1	(3935931)	Block, Cylinder	1	
2	3940059	Bushing	1	
3	3927948	Screw, Hex Flange Head Cap		
4	(3900967)	Cap, Main Bearing	7	
5	3922072	Plug, Expansion	5	
6	3914035	Plug, Expansion	4	
7	3900956	Plug, Expansion	3	
8	3900068	Dowel, Ring	14	
	3933220	Kit, Cyl Block Hardware		
9	3902343	Dowel, Ring	2	
10	3937214	Nozzle, Piston Cooling	6	
11	3900687	Plug, Expansion	1	
12	3900257	Dowel, Pin	2	
13	3008468	Plug, Pipe	1	1/2 NPT
14	3678923	Plug, Threaded	3	
15	3920706	Plug, Expansion	1	
8	3900068	Dowel, Ring	2	
16	3900955	Plug, Expansion	3	
17	3900958	Plug, Expansion	1	
19	3008469	Plug, Pipe	1	3/4 NPT
20	3678921	Plug, Threaded	1	M14 x 1.5
21	3932296	Plug, O Ring	1	
22	3900629	Screw, Hex Flange Head Cap	1	M8 x 1.25 x 16
		SERVICE PARTS		
2	3904369	Bushing	A/R	Oversize bushing for No. 1 bore
2	3903242	Bushing	A/R	Oversize bushing for No. 2-5 bore
4	(3900967)	Cap, Main Bearing	7	
18	3904166	Sleeve, Salvage	A/R	



REF NO	PART NUMBER	PART NAME	REQ	REMARKS
	BP97158	Crankshaft	1	
	3908032	Crankshaft, Assembly	1	
1	(3929037)	Crankshaft, Engine	1	
2	3929027	Gear, Crankshaft	1	
3	3904483	Dowel, Pin	1	
		MAIN BEARING SETS		
	3802070	Set, Main Brg (std)	1	Standard
4	(3929016)	Bearing, Main	6	
5	3926723	Bearing, Crankshaft Thrust	1	
6	(3929021)	Bearing, Main	7	
	3802071	Set, Main Brg (.010)	1	0.25mm Oversize
4	(3929017)	Bearing, Main	6	
5	(3283065)	Bearing, Crankshaft Thrust	1	
6	(3929022)	Bearing, Main	7	
	3802072	Set, Main Brg (.020)	1	0.50mm Oversize
4	(3929018)	Bearing, Main	6	
5	(3283066)	Bearing, Crankshaft Thrust	1	
6	(3929023)	Bearing, Main	7	
	3802073	Set, Main Brg (.030)	1	0.75mm Oversize
4	(3929019)	Bearing, Main	6	
5	(3283067)	Bearing, Crankshaft Thrust	1	
6	(3929024)	Bearing, Main	7	
	3802074	Set, Main Brg (.040)	1	1.00mm Oversize
4	(3929020)	Bearing, Main	6	
5	(3283068)	Bearing, Crankshaft Thrust	1	
6	(3929025)	Bearing, Main	7	
	3800330	Bearing, Crankshaft Thrust	1	.5mm Oversize Bore/.5mm Oversize Thrust
5	(3283063)	Bearing, Crankshaft Thrust	1	
6	(3929023)	Bearing, Main	1	
	3800331	Bearing, Crankshaft Thrust	1	1.0mm Oversize Bore/1.0mm Oversize Thrust
5	(3283064)	Bearing, Crankshaft Thrust	1	
6	(3929025)	Bearing, Main	1	
		SERVICE PARTS		
7	3802820	Kit, Seal	1	Front
8	3926126	Kit, Seal	1	Rear

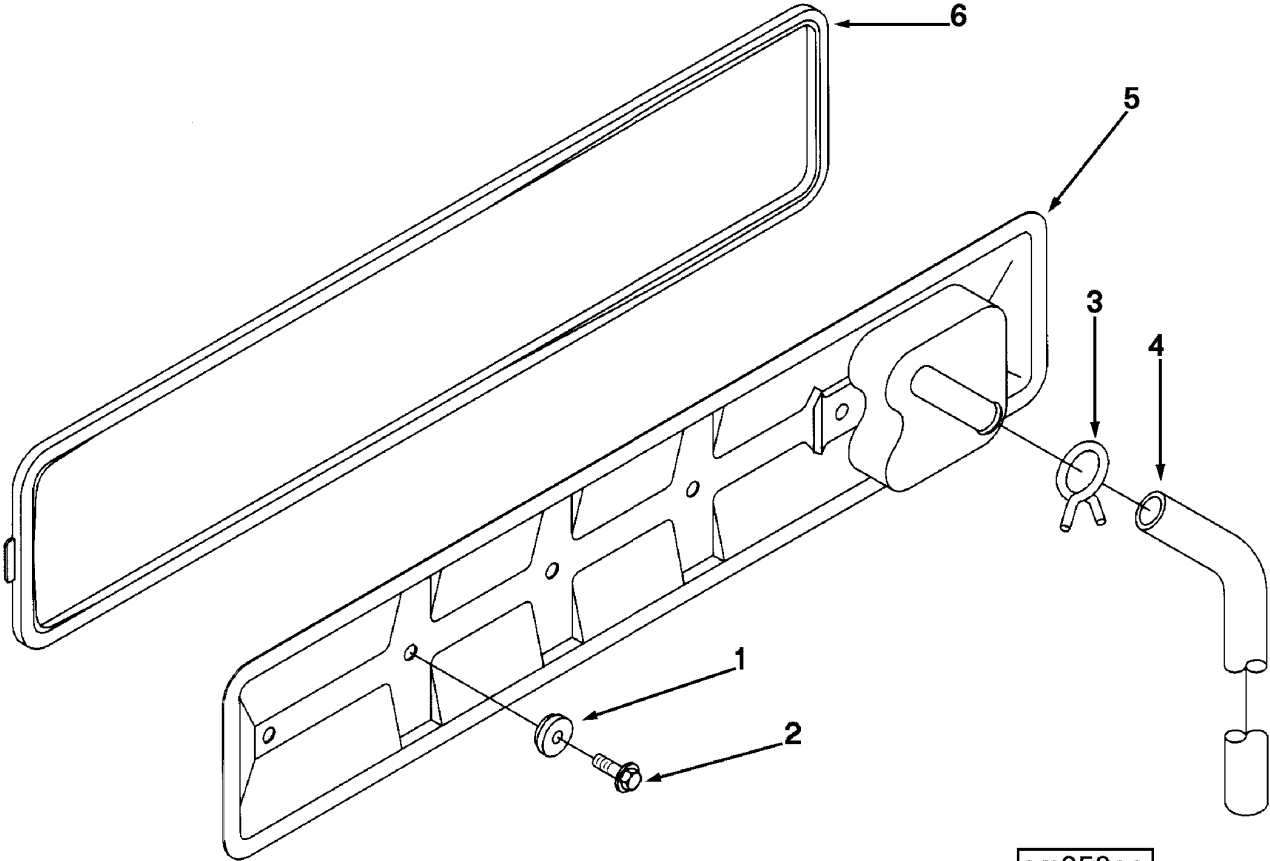


REF NO	PART NUMBER	PART NAME	REQ	REMARKS
	CH9014	Coolant Heater	1	Coolant Heater Engine Family: B Series Volt: 120 Watt: 1000 Plug Type: By-Pass Operation Type: Automatic Supply Method: Mounted Cord Provision: No Controlled Temp Range: 120/100 F
1	109144	Screw, Hexagon Head Cap	2	1/4-20 x 1 inch
2	S-920	Nipple, Plain Pipe	1	1/2 NPTF
3	S-960	Tee, Female Pipe	1	3 x 1/2 NPTF
4	S-982	Bushing, Reducing Pipe	1	3/4 NPTF(Ext) x 1/2 NPTF(Int) (Int)
5	204991	Washer, Plain	2	
6	3035083	Isolator, Vibration	2	
7	3035084	Isolator, Vibration	2	
8	3044360	Nut, Regular Hexagon	2	M10 x 1.50
9	3901446	Screw, Hex Flange Head Cap	1	M8 x 1.25 x 60
10	3903112	Screw, Hex Flange Head Cap	2	M10 x 1.50 x 30
11	3907167	Coupling, Plain Hose	1	
12	3906619	Plug, Pipe	1	1/8 NPT
13	3908221	Coupling, Elbow Hose	1	
14	3911836	Heater, Engine	1	
15	3911841	Tube, Water Transfer	1	
16	3911845	Bracket, Engine Heater	1	
17	3911876	Hose, Flexible	1	
18	3911879	Elbow, Male Adapter	1	
19	3911880	Coupling, Elbow Hose	1	
20	3911887	Elbow, Male Adapter	1	
21	3918163	Clamp, Hose	4	
22	3918611	Hose, Plain	2	



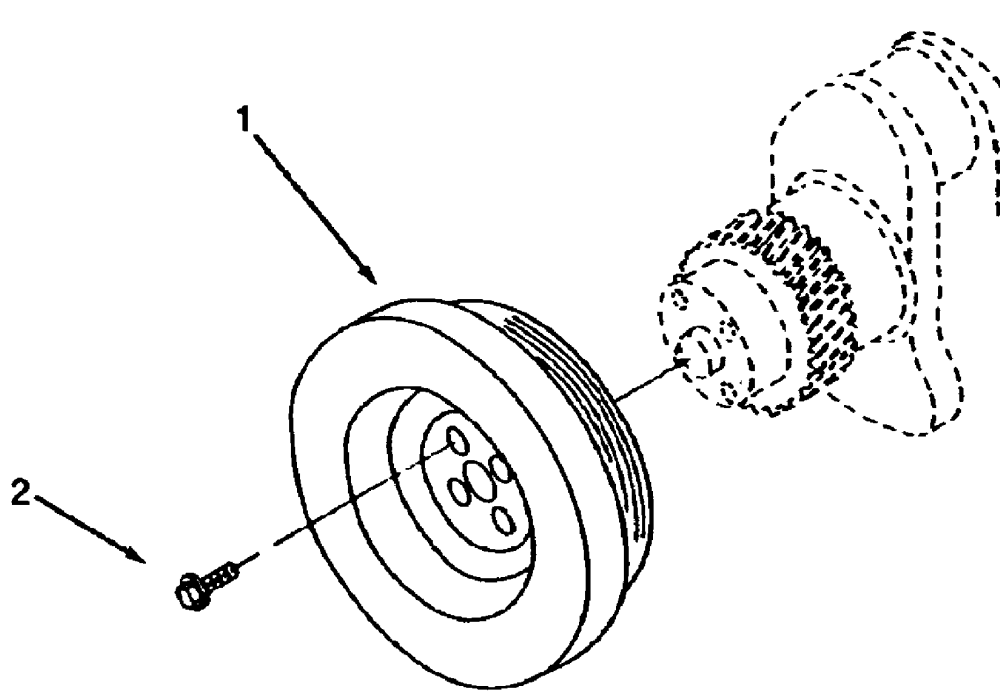
cl900gb

REF NO	PART NUMBER	PART NAME	REQ	REMARKS
	CL9003	Rear Stub Shaft	1	Stub, Shaft Stub Shaft Length: 122 MM FH SAE Size: 3 RPM Limitation: 3900 Torque Limiet #FT: 10.6 Pilot Bearing Bore: 57.02MM
	3031359	Flange, Power Takeoff	1	
1	650722	Flange, Power Takeoff	1	
4	555144	Key, Flange To Stubshaft	1	
5	61238-W	Shaft, Stub	1	
2	S-604	Washer, Lock	8	3/8 inch
3	108707	Screw, Hexagon Head Cap	8	3/8 - 16 x 1 1/2 inch



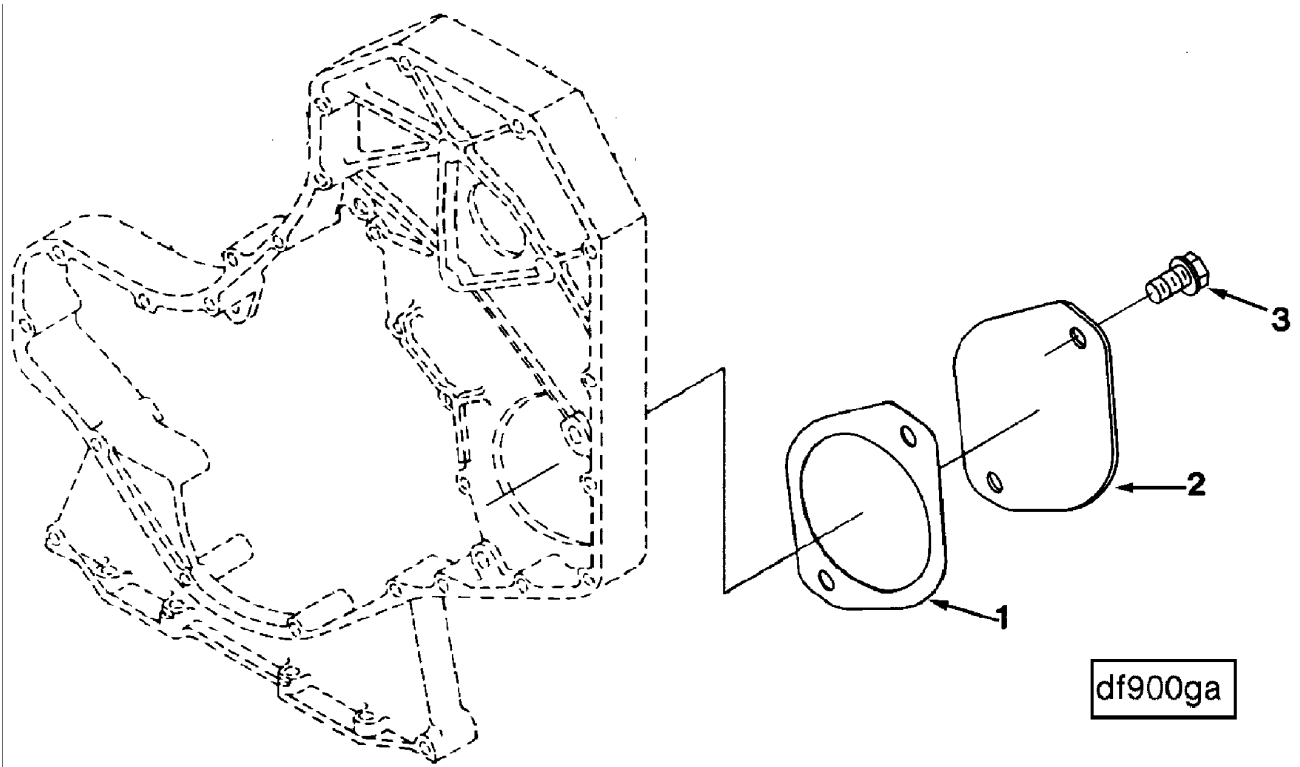
cm950gc

REF NO	PART NUMBER	PART NAME	REQ	REMARKS
	CM9016	Cam Follower Cover	1	Cam Follower Cover Structure Code: 02 EBM Engine Family: B Series Engine Cylinders: 6 Hose Angle Off Breather (Deg) : 45 Hose Location On Baffle: Top Noise Panel Provision: No Double Baffle: No Baffle Location On Engine: #5 Cylinder Hose and Clamp Provided: Yes Drain Hose Length (MM): 435 Fuel Pump Type: Inline Breather baffle fabricated part of cover. Remaining mounting parts to be found in fuel tubing (FT) option.
1	3928759	Seal, Grommet	4	
2	3900629	Screw, Hex Flange Head Cap	4	M8 x 1.25 x 16
3	3904230	Clamp, Spring Hose	1	1 inch ID
4	3918614	Hose, Plain	1	
5	3927913	Cover, Push Rod	1	
6	3928832	Gasket, Push Rod Cover	1	

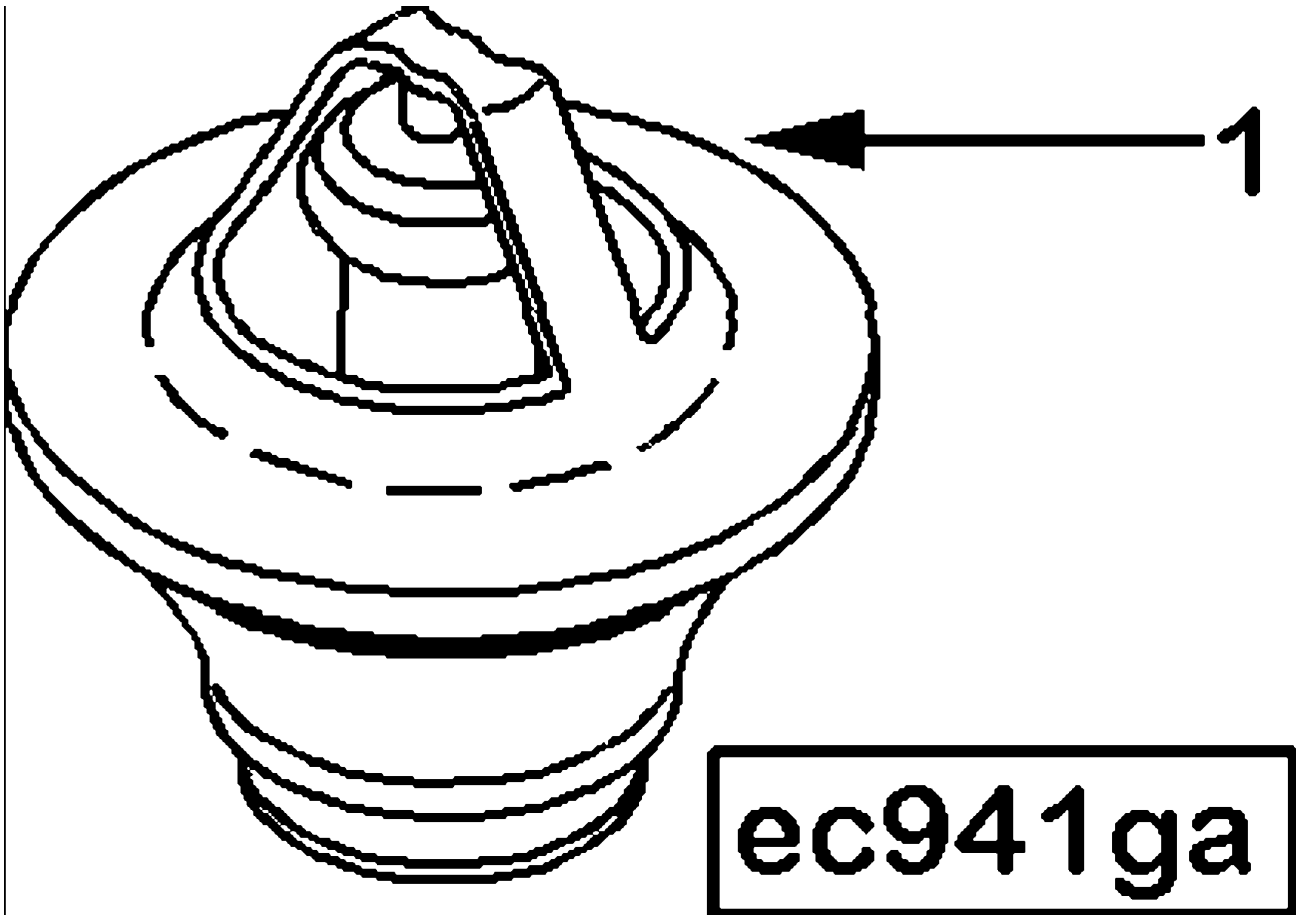


da900gi

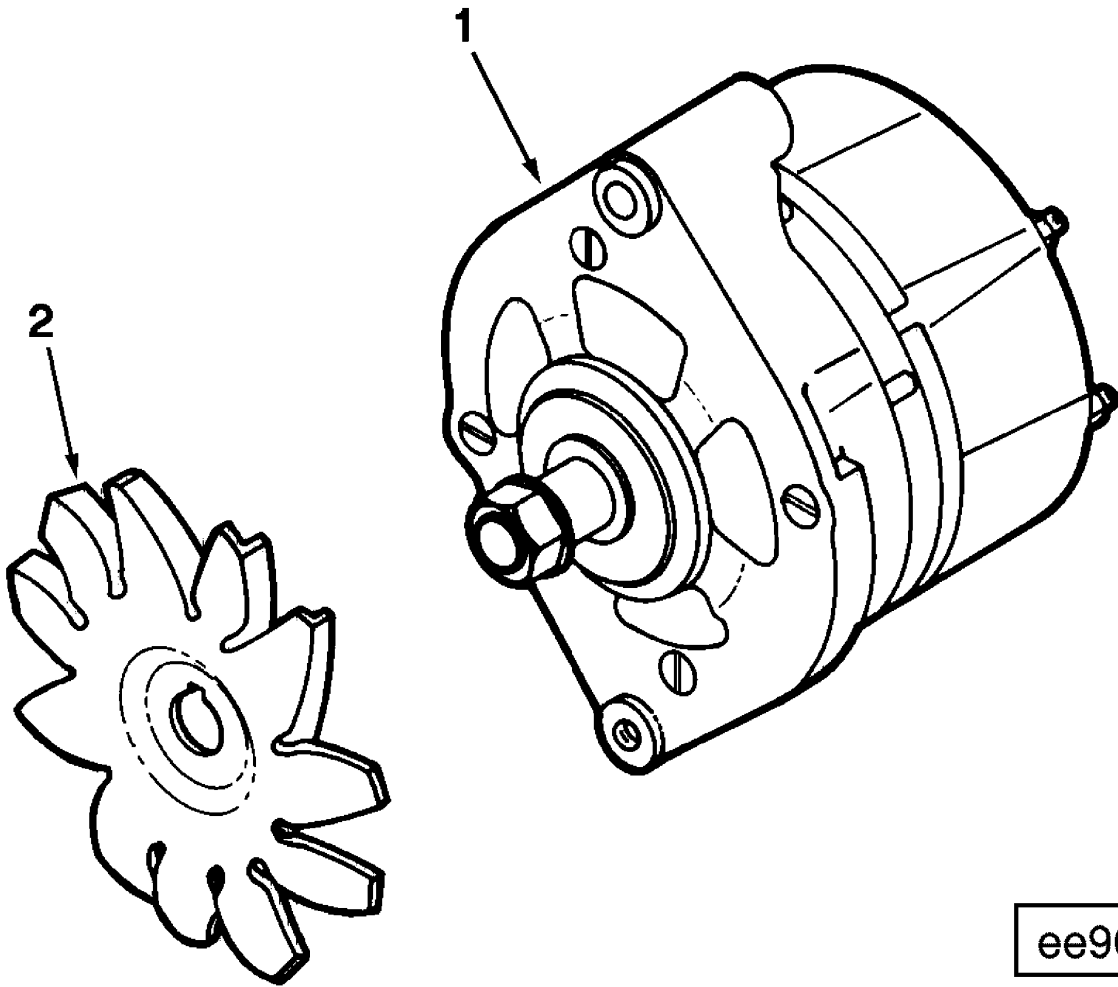
REF NO	PART NUMBER	PART NAME	REQ	REMARKS
	DA9026	Vibration Damper	1	Vibration Damper Engine Family: B Series Damper Pulley Effective Diameter (mm): 173.76 Damper Diameter (mm): 209.00 Damper RPM Limitation: 2650 and below Damper Type: Rubber Pulley Type: Cast 8 groove Front PTO Provision: No Tach Pick-up Provision: No High Inertia Damper: No Structure Code: 02 EBM Additional Pulley Provision: None.
1	(3914454)	Damper, Vibration	1	
2	3903857	Screw, Hex Flange Head Cap	4	M12 x 1.25 x 36



REF NO	PART NUMBER	PART NAME	REQ	REMARKS
	DF9051	Front Gear Train Accessory	1	Front Gear Train Accessory Drive Cover Plate Provided: Yes Engine Family: B Series To be selected when there is no air compressor, raw water pump or gear driven vacuum pump selected.
1	3929751	Gasket, Acc Drive Cover	1	
2	3914868	Plate, Cover	1	
3	3901249	Screw, Hex Flange Head Cap	2	M12 x 1.75 x 25



REF NO	PART NUMBER	PART NAME	REQ	REMARKS
	EC9001	Thermostat	1	Thermostat Degree C Thermostat Opens: 83 C # of Thermostats: 1 Thermostat Type: Jiggle-Pin Vented Non-Vented: Vented Requires By-Pass Housing: No Engine Family: B Series Required Housing Bore Dia. (mm): 54.10
1	3802968	Thermostat	1	



ee900gj

REF NO	PART NUMBER	PART NAME	REQ	REMARKS
	EE9051	Alternator	1	Alternator Alternator Manufacturer/Model: Bosch K-1 Voltage: 12 Amperage: 65.01 Functions W/Horizontal Oil Filter: Yes Alternator Body Length (mm): 128 Design Phase: Current Product Engine Family: B Series B Series C Series
1	3920679	Alternator	1	
2	3904981	Fan, Alternator	1	